

US00D890740S

(12) **United States Design Patent**  
**Khubani et al.**

(10) **Patent No.:** **US D890,740 S**

(45) **Date of Patent:** **\*\* Jul. 21, 2020**

(54) **APPLIANCE HOLDER**

(71) Applicant: **DaVinci II CSJ, LLC**, Fairfield, NJ  
(US)

(72) Inventors: **Ajit Khubani**, Saddle River, NJ (US);  
**Paul Dowd**, Scarsdale, NY (US)

(73) Assignee: **DaVinci II CSJ, LLC**, Fairfield, NJ  
(US)

(\*\*) Term: **15 Years**

(21) Appl. No.: **29/721,171**

(22) Filed: **Jan. 17, 2020**

(51) **LOC (12) Cl.** ..... **14-03**

(52) **U.S. Cl.**  
USPC ..... **D14/253**; D12/415

(58) **Field of Classification Search**  
USPC ..... D14/251–253, 447, 452, 432–434, 440;  
D12/415; D3/218; D8/349, 363  
CPC ..... H04M 1/02; H04M 1/04; B60R 11/02;  
F16M 11/00; F16M 11/04; F16M 11/06  
See application file for complete search history.

(56) **References Cited**

**U.S. PATENT DOCUMENTS**

D323,504 S	1/1992	Langton
5,230,016 A	7/1993	Yasuda
5,305,381 A	4/1994	Wang et al.
5,457,745 A	10/1995	Wang
5,560,578 A	10/1996	Schenken et al.
5,588,055 A	12/1996	Williamson et al.
D379,463 S	5/1997	Richter
5,694,468 A	12/1997	Hsu
5,697,071 A	12/1997	Fan
D388,795 S	1/1998	Richter
D390,849 S	2/1998	Richter et al.
5,745,565 A	4/1998	Wakefield
5,788,202 A	8/1998	Richter
5,825,874 A	10/1998	Humphreys

5,836,563 A	11/1998	Hsin-Yung
D402,666 S	12/1998	Golder
D407,408 S	3/1999	Hoff
5,903,645 A	5/1999	Tsay
5,907,796 A	5/1999	Matchett et al.
5,996,866 A	12/1999	Susko et al.

(Continued)

**FOREIGN PATENT DOCUMENTS**

CN	303019916 S	12/2014
CN	303032847 S	12/2014

(Continued)

**OTHER PUBLICATIONS**

Cellet Universal 360 Adjustable Cup Holder Mount, Hands Free Automobile Cradle Compatible with Apple iPhone 11/11 Pro Xs Max XR 8 Plus, Galaxy S10 S10e S10Plus, S9 S9Plus Note 9, GPS. (PH600) found at <https://www.amazon.com/Cellet-Adjustable-Automobile-Compatible-PH600/dp/B07RPPB5JK>.

(Continued)

*Primary Examiner* — Janice Hallmark

(74) *Attorney, Agent, or Firm* — Cooper & Dunham LLP

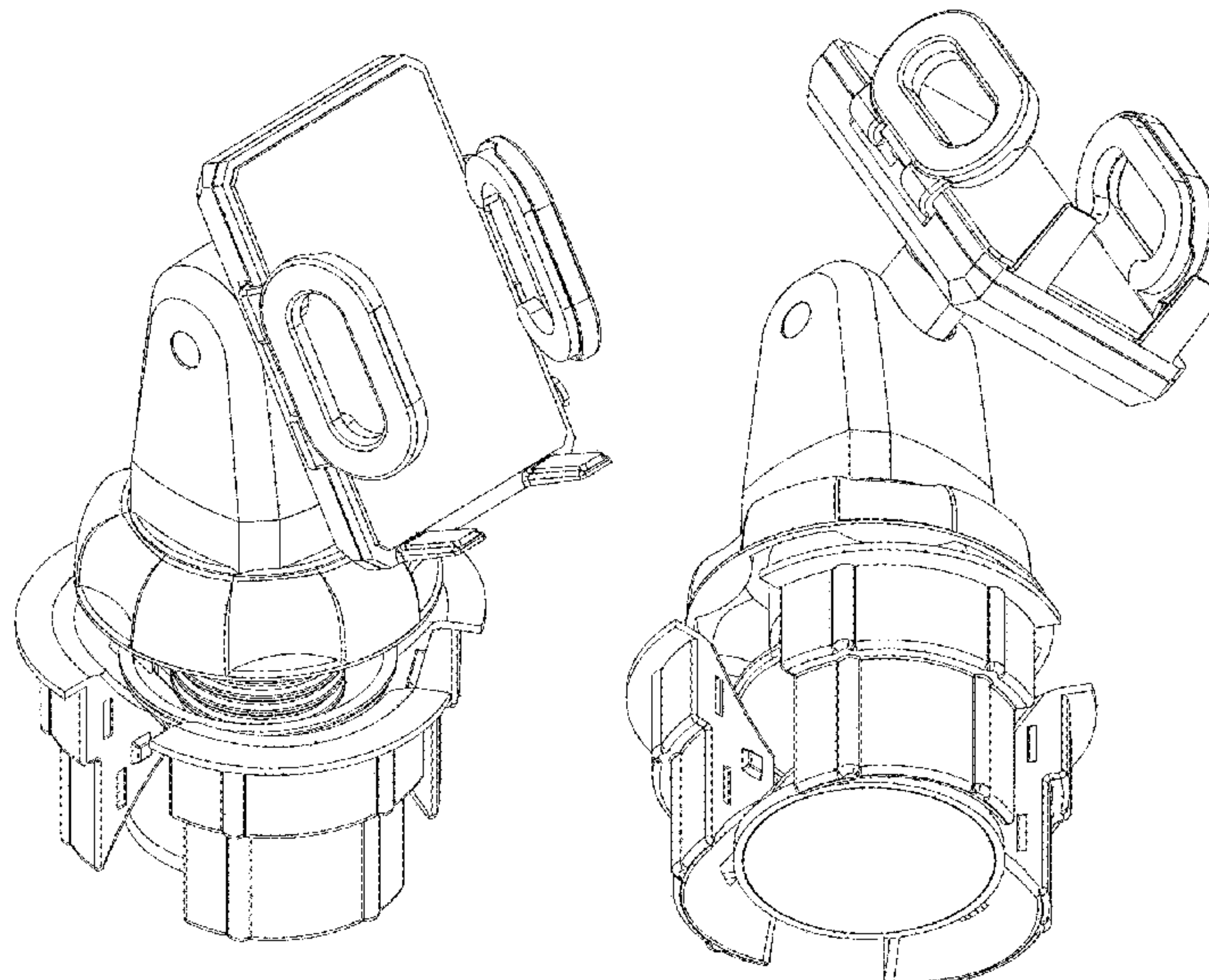
(57) **CLAIM**

The ornamental design for an appliance holder, as shown and described.

**DESCRIPTION**

FIG. 1 is a downward, front perspective view of an appliance holder in accordance with the present design; FIG. 2 is an upward perspective view thereof; FIG. 3 is a front view thereof; FIG. 4 is a rear view thereof; FIG. 5 is a left side view thereof; FIG. 6 is a right side view thereof; FIG. 7 is a top view thereof; and, FIG. 8 is a bottom view thereof.

**1 Claim, 8 Drawing Sheets**





(56)

References Cited

U.S. PATENT DOCUMENTS

6,062,518 A	5/2000	Etue	8,091,850 B2	1/2012	Carnevali	
6,086,113 A	7/2000	Fan	8,176,603 B2	5/2012	Carnevali	
6,097,810 A	8/2000	Hirai et al.	8,202,114 B2	6/2012	Zilmer et al.	
6,113,049 A	9/2000	Miljanich	8,262,070 B2	9/2012	Liu	
6,185,302 B1	2/2001	Rytkonen et al.	8,376,301 B2	2/2013	Fan	
6,189,755 B1	2/2001	Wakefield	8,378,790 B2	2/2013	Ryoo et al.	
D439,116 S	3/2001	White	8,382,059 B2	2/2013	Le Gette et al.	
6,246,766 B1	6/2001	Walsh	8,393,564 B2	3/2013	Kroo	
6,267,340 B1	7/2001	Wang	8,424,825 B2	4/2013	Somuah	
6,285,758 B1	9/2001	Lu	D685,379 S *	7/2013	Richter	D14/253
6,315,153 B1	11/2001	Osborn	D685,380 S *	7/2013	Richter	D14/253
D451,504 S	12/2001	Edwards	8,490,937 B2	7/2013	Crain et al.	
D452,236 S	12/2001	Kohli	D691,991 S *	10/2013	Mohan	D14/250
6,366,672 B1	4/2002	Tsay	8,550,410 B2	10/2013	Fraser	
6,396,925 B1	5/2002	Close	8,567,737 B2	10/2013	Chen	
6,427,959 B1	8/2002	Kalis et al.	8,573,455 B1	11/2013	Brown	
6,478,275 B1	11/2002	Louh	8,576,557 B2	11/2013	Chu	
6,543,637 B1	4/2003	Osborn	D695,732 S *	12/2013	Baumann	D14/253
6,568,549 B1	5/2003	Miller	8,838,557 B2	1/2014	Tsai	
D478,073 S	8/2003	Topinka	8,646,736 B2	2/2014	Berry	
6,726,267 B2	4/2004	Kim et al.	D705,211 S *	5/2014	Huang	D14/253
6,789,773 B2	9/2004	Holland	8,752,802 B1	6/2014	Fan	
D499,092 S	11/2004	Fan	8,757,572 B1	6/2014	Starr et al.	
6,832,745 B2	12/2004	Lindsay	D709,066 S *	7/2014	Byun	D14/253
6,902,142 B1	6/2005	Cheng	D709,074 S *	7/2014	Tsui	D14/447
6,944,294 B2	9/2005	Tsay	8,777,173 B2	7/2014	Nemoto	
6,959,899 B2	11/2005	Yeh	8,794,579 B2	8/2014	Sturman et al.	
7,017,243 B2	3/2006	Carnevali	8,827,341 B2	9/2014	Sofield	
D524,807 S	7/2006	Topinka	8,833,716 B2	9/2014	Funk et al.	
7,080,812 B2	7/2006	Wadsworth et al.	D716,215 S *	10/2014	Dunn	D12/415
7,099,466 B2	8/2006	Walsh	8,857,687 B1	10/2014	An	
7,099,467 B1	8/2006	Rohrbach	D718,297 S *	11/2014	Aspinall	D14/253
D529,905 S	10/2006	Richter	8,960,623 B2	2/2015	Woolford	
D530,713 S	10/2006	Richter	8,960,634 B2	2/2015	Le Gette et al.	
7,140,586 B2	11/2006	Seil et al.	8,979,060 B1	3/2015	Olsson et al.	
D535,988 S	1/2007	Kettula et al.	9,004,434 B2	4/2015	Kang et al.	
7,158,092 B2	1/2007	Shen	9,038,971 B1	5/2015	Guthrie	
7,162,281 B2	1/2007	Kim	D732,013 S	6/2015	Aspinall et al.	
7,194,087 B2	3/2007	Luginbill et al.	9,062,820 B2	6/2015	Allmendinger et al.	
7,219,867 B2	5/2007	Kalis et al.	9,080,714 B2	7/2015	Minn et al.	
7,251,324 B2	7/2007	Richter	D736,217 S *	8/2015	Wang	D14/451
7,272,984 B2	9/2007	Fan	9,103,487 B2	8/2015	Hale et al.	
7,328,876 B2	2/2008	Jones	9,162,630 B2	10/2015	Pluta	
D566,118 S	4/2008	Brassard	D742,387 S *	11/2015	Xiang	D14/447
7,380,759 B1	6/2008	Whiteside et al.	9,204,747 B1	12/2015	Starr et al.	
7,389,964 B2	6/2008	Ye	9,220,349 B1	12/2015	Cashin et al.	
7,407,143 B1	8/2008	Chen	9,267,638 B2	2/2016	Le Gette et al.	
7,413,155 B2	8/2008	Sell et al.	D750,612 S *	3/2016	Chen	D14/253
7,422,184 B2	9/2008	Carnevali	D752,571 S *	3/2016	Richter	D14/253
7,505,583 B2	3/2009	Rohrbach	9,278,652 B1	3/2016	Lundsgaard et al.	
7,523,528 B2	4/2009	Carnevali	9,281,857 B1	3/2016	Lundsgaard et al.	
7,537,190 B2	5/2009	Fan	9,316,344 B2	4/2016	Le Gette et al.	
7,540,459 B2	6/2009	Asano et al.	9,334,679 B2	5/2016	Lin	
7,551,458 B2	6/2009	Carnevali	9,360,154 B2	6/2016	Le Gette et al.	
7,571,522 B2	8/2009	Carnevali	9,408,456 B2	8/2016	Hart	
7,597,301 B2	10/2009	Seil et al.	D765,646 S	9/2016	Deng et al.	
7,611,114 B1	11/2009	Griffin	D767,556 S	9/2016	Lee	
7,614,595 B2	11/2009	Richter	9,448,588 B2	9/2016	Barnard	
D606,065 S	12/2009	Rihu	9,468,122 B2	10/2016	Woodward	
7,647,676 B2	1/2010	Carnevali	9,470,358 B2	10/2016	Le Gette et al.	
D610,353 S	2/2010	Cooney et al.	D770,171 S *	11/2016	Lai	D14/253
7,668,306 B2	2/2010	Strathmeyer et al.	D772,217 S	11/2016	Alesi et al.	
7,668,309 B2	2/2010	Wilcox et al.	D772,218 S	11/2016	Alesi et al.	
7,708,247 B2	5/2010	Lota	D772,859 S	11/2016	Alesi et al.	
7,712,720 B1	5/2010	Cheng et al.	D777,167 S	1/2017	Wengreen	
D625,715 S	10/2010	Adams, II	D777,720 S	1/2017	Russell	
7,823,844 B2	11/2010	Carnevali	9,538,675 B2	1/2017	Le Gette et al.	
7,857,178 B2	12/2010	Brown, Jr.	9,540,065 B2	1/2017	Stageberg	
7,925,320 B2	4/2011	Pemble et al.	9,573,532 B2	2/2017	Riddiford et al.	
7,954,773 B2	6/2011	Carnevali	9,581,291 B2	2/2017	Trotsky	
7,967,269 B2	6/2011	Liu	9,609,105 B1	3/2017	Krug et al.	
8,027,465 B2	9/2011	Rohrbach	D783,014 S *	4/2017	Chun	D14/253
D646,674 S *	10/2011	Liao	D784,923 S *	4/2017	Song	D13/108
8,061,670 B1	11/2011	White	D784,977 S *	4/2017	Ormsbee	D14/253
8,074,951 B2	12/2011	Carnevali	9,616,822 B1	4/2017	Hamilton et al.	
			9,647,712 B2	5/2017	Ryan et al.	
			9,651,069 B2	5/2017	Aspinall et al.	
			9,689,527 B2	6/2017	Franklin	
			9,699,285 B1	7/2017	Lundsgaard et al.	



(56)

References Cited

U.S. PATENT DOCUMENTS

9,710,016 B1 7/2017 Porzio  
 D798,306 S 9/2017 Wengreen  
 9,764,693 B1 9/2017 Biondo  
 D799,466 S \* 10/2017 Sukphist ..... D14/253  
 9,797,543 B2 10/2017 Lin  
 D803,208 S 11/2017 Cai  
 D803,674 S 11/2017 Carnevali  
 D804,286 S 12/2017 Rock et al.  
 D805,021 S 12/2017 Cunningham  
 D806,521 S 1/2018 Wengreen  
 9,859,940 B1 1/2018 Lundsgaard et al.  
 9,888,104 B2 2/2018 Uhlig et al.  
 9,898,042 B2 2/2018 Abbott  
 9,902,336 B2 2/2018 Lippold-Fritz et al.  
 9,924,005 B1 3/2018 McElderry  
 D816,076 S 4/2018 Ahn  
 D817,317 S 5/2018 Lee  
 D819,015 S 5/2018 Lee  
 D820,247 S 6/2018 Ahn  
 D820,248 S 6/2018 Ahn  
 D820,823 S 6/2018 Ahn  
 D821,290 S 6/2018 Jung  
 D821,291 S 6/2018 Jung  
 10,001,153 B1 6/2018 Fan  
 10,005,404 B2 6/2018 Lupsan et al.  
 D822,581 S 7/2018 Jung  
 D822,582 S 7/2018 Jung  
 D824,379 S 7/2018 Symons  
 D824,380 S 7/2018 Lee  
 10,011,005 B2 7/2018 Shute et al.  
 10,026,535 B2 7/2018 Bohannon  
 10,038,829 B2 7/2018 Gilbert  
 10,065,570 B2 9/2018 Dry et al.  
 D832,247 S \* 10/2018 Sukphist ..... D14/253  
 D832,248 S \* 10/2018 Sukphist ..... D14/253  
 D833,369 S \* 11/2018 Lan ..... D12/415  
 10,137,919 B2 11/2018 Winton et al.  
 10,150,426 B2 12/2018 Ormsbee et al.  
 10,155,482 B2 12/2018 Corso  
 D838,107 S 1/2019 Daly et al.  
 10,173,607 B1 1/2019 Omelchenko et al.  
 D839,868 S \* 2/2019 Lee ..... D14/253  
 D840,388 S \* 2/2019 Wieth ..... D14/251  
 D840,994 S \* 2/2019 Balmer ..... D14/253  
 D852,188 S \* 6/2019 He ..... D14/253  
 D858,509 S \* 9/2019 Yao ..... D14/253  
 D859,286 S \* 9/2019 He ..... D12/415  
 D859,393 S \* 9/2019 Dang ..... D14/253  
 D859,395 S \* 9/2019 Yao ..... D14/253  
 D860,190 S \* 9/2019 Liao ..... D14/253  
 D861,670 S \* 10/2019 Li ..... D14/253  
 D862,454 S \* 10/2019 Chun ..... D14/253  
 D863,290 S \* 10/2019 Ormsbee ..... D14/253  
 D864,092 S \* 10/2019 Zhang ..... D12/415  
 D864,185 S \* 10/2019 Chen ..... D14/253  
 D864,187 S \* 10/2019 Vogel ..... D14/253  
 D872,014 S \* 1/2020 Zhang ..... D13/108  
 D873,260 S \* 1/2020 Dang ..... D14/253  
 D873,272 S \* 1/2020 Dang ..... D14/447  
 D875,090 S \* 2/2020 Leeds-Frank ..... D14/253  
 D877,688 S \* 3/2020 Liu ..... D12/415  
 D879,090 S \* 3/2020 Chung ..... D14/253  
 D879,766 S \* 3/2020 Fan ..... D14/253  
 10,576,905 B1 3/2020 MacNeil et al.  
 D881,200 S \* 4/2020 Leeds-Frank ..... D14/447  
 D881,201 S \* 4/2020 Lou ..... D14/447  
 D881,868 S \* 4/2020 Zhang ..... D14/253  
 D882,560 S \* 4/2020 Liao ..... D14/253  
 D883,271 S \* 5/2020 Liao ..... D14/253  
 D883,274 S \* 5/2020 Liu ..... D14/253  
 2002/0049081 A1 4/2002 Heininger  
 2002/0094078 A1 7/2002 Edwards  
 2002/0094079 A1 7/2002 Edwards  
 2006/0028607 A1 2/2006 Carnevali  
 2006/0278788 A1 12/2006 Fan

2007/0262223 A1 11/2007 Wang et al.  
 2007/0281619 A1 12/2007 Chen  
 2007/0284500 A1 \* 12/2007 Fan ..... H04M 1/04  
 248/346.06  
 2009/0090757 A1 4/2009 Kim et al.  
 2009/0294617 A1 12/2009 Stacey et al.  
 2009/0308993 A1 12/2009 Chang  
 2010/0295228 A1 \* 11/2010 Woody ..... B60R 11/0258  
 269/254 R  
 2011/0148352 A1 6/2011 Wang et al.  
 2011/0233251 A1 9/2011 Doig  
 2012/0267406 A1 \* 10/2012 Fan ..... B60R 11/02  
 224/482  
 2012/0298708 A1 11/2012 DeAngelo  
 2014/0145051 A1 \* 5/2014 Gwag ..... F16M 11/2092  
 248/298.1  
 2015/0072555 A1 \* 3/2015 Riddiford ..... F16M 11/041  
 439/575  
 2017/0253150 A1 9/2017 Wei et al.  
 2018/0001835 A1 1/2018 Corso  
 2018/0215320 A1 8/2018 Mendoza Vera et al.  
 2019/0005936 A1 1/2019 Smith et al.  
 2019/0185094 A1 \* 6/2019 Vogel ..... F16B 1/00  
 2019/0203879 A1 7/2019 Lebedev et al.

FOREIGN PATENT DOCUMENTS

CN 303143826 S 3/2015  
 CN 303169400 S 4/2015  
 CN 303479768 S 12/2015  
 CN 303479811 S 12/2015  
 CN 303479847 S 12/2015  
 CN 303493247 S 12/2015  
 CN 3034932685 12/2015  
 CN 303617931 S 3/2016  
 CN 304221164 S 7/2017  
 CN 304261521 S 8/2017  
 CN 304394037 S 12/2017  
 CN 304438110 S 1/2018  
 CN 304540435 S 3/2018  
 CN 304613491 S 5/2018  
 CN 304717275 S 7/2018  
 CN 305024679 S 2/2019  
 CN 305049422 S 2/2019  
 CN 305098623 S 4/2019  
 CN 305136106 S 4/2019  
 CN 305154786 S 5/2019  
 CN 305160793 S 5/2019  
 CN 305196317 S 6/2019  
 CN 305227740 S 6/2019  
 CN 305255743 S 7/2019  
 CN 305342650 S 9/2019  
 CN 305447262 S 11/2019  
 CN 305498958 S 12/2019  
 CN 305510228 S 12/2019  
 CN 305510229 S 12/2019  
 CN 305510244 S 12/2019  
 EM 002030395-0003 4/2012  
 EM 002141721-0003 3/2013  
 EM 002775643-0001 9/2015  
 EM 003750728-0001 2/2017  
 EM 005809340-0002 10/2018  
 EM 006084463-0002 1/2019  
 EM 006312872-0001 4/2019  
 EM 006686689-0004 8/2019  
 EM 006686689-0007 8/2019  
 JP D1167342 3/2003  
 JP D1449150 8/2012  
 KR 300959905.0000 6/2018  
 KR 300978115.0000 10/2018

OTHER PUBLICATIONS

Car Cup Holder Phone Mount Adjustable Automobile Cup Holder  
 Smart Phone Cradle Car Mount for iPhone 11 Pro/XR/XS Max/X/  
 8/7 Plus/6s/Samsung S10+/Note 9/S8 Plus/S7 Edge(Grey) found at

(56)

**References Cited**

## OTHER PUBLICATIONS

<https://www.amazon.com/Upgraded-Holder-Adjustable-Automobile-Samsung/dp/B07V5SCF5K>.

Adjustable Automobile Car Cup Holder Phone Mount with Longer Neck & 360° Rotatable Cradle found at <https://www.walmart.com/ip/iPhone-Galaxy-G7-V40-V35-Max-Mount-Longer-Pro-6s-9-8-7-Phone-S10-S10E-S9-S8-Note-X-Neck-Plus-Cup-Automobile-Cradle-11-11-Holder-Adjustable-Rotatable-/395327334>.

Arkon® —Robust Custom Car Cup Holder Phone Mount found at <https://www.carid.com/arkon/arkon-robust-custom-car-cup-holder-phone-mount-2235989851.html>.

Car Cup Holder Phone Mount Adjustable Portable Gooseneck car Phone H found at <https://www.lelong.com.my/usa-car-cup-holder-phone-mount-adjustable-portable-gooseneck-car-phone-h-sallymarket04-F1692119-2007-01-Sale-1.htm>.

Ram-Mount X-Grip Mount With Cup Holder Base for Cell Phones, GPS found at <https://www.walcotradio.com/rammount-xgrip-mount-with-cup-holder-base-for-cell-phones-gps-p-2558.html>.

Tuff Tech 23384 Heavy Cup Mount Magnetic Phone Holder found at [https://www.amazon.com/Custom-Accessories-23384-Magnetic-Holder/dp/B01FHDVZC6/ref=pd\\_sbs\\_107\\_t\\_1/136-3115179-1835013?\\_encoding=UTF8&pd\\_rd\\_i=B01FHDVZC6&pd\\_rd\\_r=033fc1cd-3612-4471-9132-01c8ffbab09a&pd\\_rd\\_w=2K0xG&pd\\_r\\_d\\_wg=ZSkiA&pf\\_rd\\_p=5cfcfe89-300f-47d2-b1ad-a4e27203a02a&pf\\_rd\\_r=9JFBNQ4M749M2GMN60N4&pvc=1&refRID=9JFBNQ4M749M2GMN60N4](https://www.amazon.com/Custom-Accessories-23384-Magnetic-Holder/dp/B01FHDVZC6/ref=pd_sbs_107_t_1/136-3115179-1835013?_encoding=UTF8&pd_rd_i=B01FHDVZC6&pd_rd_r=033fc1cd-3612-4471-9132-01c8ffbab09a&pd_rd_w=2K0xG&pd_r_d_wg=ZSkiA&pf_rd_p=5cfcfe89-300f-47d2-b1ad-a4e27203a02a&pf_rd_r=9JFBNQ4M749M2GMN60N4&pvc=1&refRID=9JFBNQ4M749M2GMN60N4).

Wireless Mqouny Wireless Accessory Wireless Car Charger, Mqouny Cup Holder Phone Mount, Phone Holder Car Charger Cup Phone-Holder Fast Charging Compatible with iPhone 11/11 Pro Max/XR/Xs Max/Xs/8, Samsung Galaxy Note 10 (Black) found at [https://www.wantitall.co.za/wireless/wireless-car-charger-mqouny-cup-holder-phone-mount-phone-holder-car-charger-cup-phone-holder-fast-ch\\_bo07z3crftl](https://www.wantitall.co.za/wireless/wireless-car-charger-mqouny-cup-holder-phone-mount-phone-holder-car-charger-cup-phone-holder-fast-ch_bo07z3crftl).

Car Cup Holder Phone Mount GPED Universal Adjustable Automobile Phone Cradle with 360° Rotatable found at <https://www.savesoo.com/review-product/95953-Car-Cup-Holder-Phone-Mount-GPED-Universal-Adjustable-Automobile-Phone-Cradle-amazon-freebies>.

Cellet Universal Car Cup Holder Mount for Apple iPhone Xr Xs Max X 8 8 Plus 7+ Samsung Note 10 9 8 Galaxy S10 + S9 S9Plus S8 S8 Plus LG G7 G6 V30 Q7+ Style 4 V35 Moto G6 X4 Extra Long Goose-Neck found at <https://www.ubuy.co.in/search/index/view/product/B07LB6TG36/s/cellet-universal-car-cup-holder-mount-for-apple-iphone-xr-xs-max-x-8-8-plus-7-samsung-note-10-9-8-galaxy-s10-s9-s9plus-s8-s8-plus-lg-g7-g6-v30-q7-stylo-4-v35-moto-g6-x4-extra-long-goose-neck/store/store?amp=true>.

Macally Adjustable Automobile Cup Holder Phone Mount for iPhone Xs XS Max XR X 8 8+ 7 7 Plus 6s Plus 6s SE Samsung Galaxy S10 S10E S9 S9+ S8 S7 Edge S6 Note 5, Xperia, iPod, Smartphone, GPS (MCUPMP) found at [https://www.amazon.com/gp/product/B007GNNH3Q/ref=oh\\_aui\\_detailpage\\_o05\\_s00?ie=UTF8&pvc=1](https://www.amazon.com/gp/product/B007GNNH3Q/ref=oh_aui_detailpage_o05_s00?ie=UTF8&pvc=1).

Capdase Racer Mount photo.

\* cited by examiner



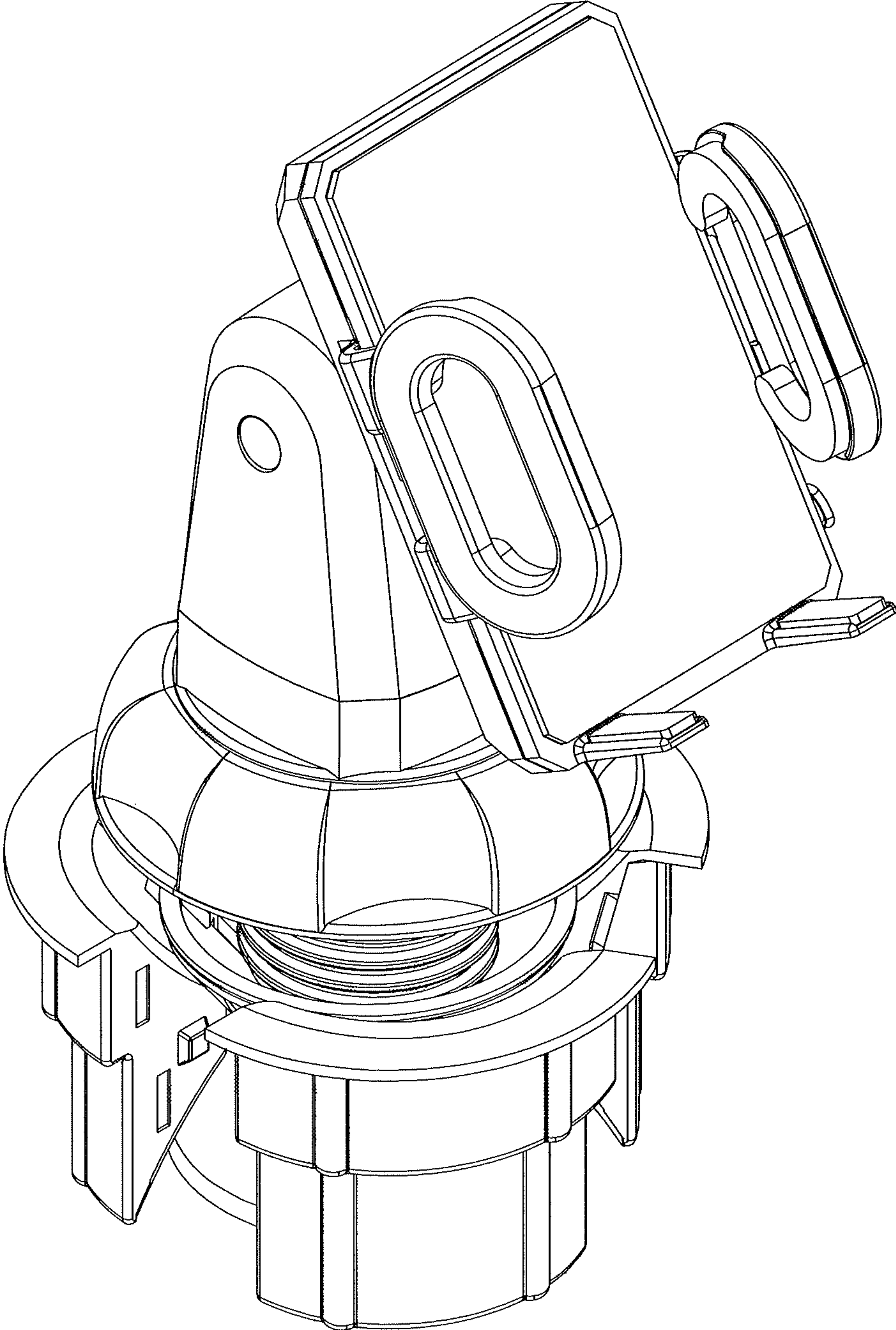


FIG. 1

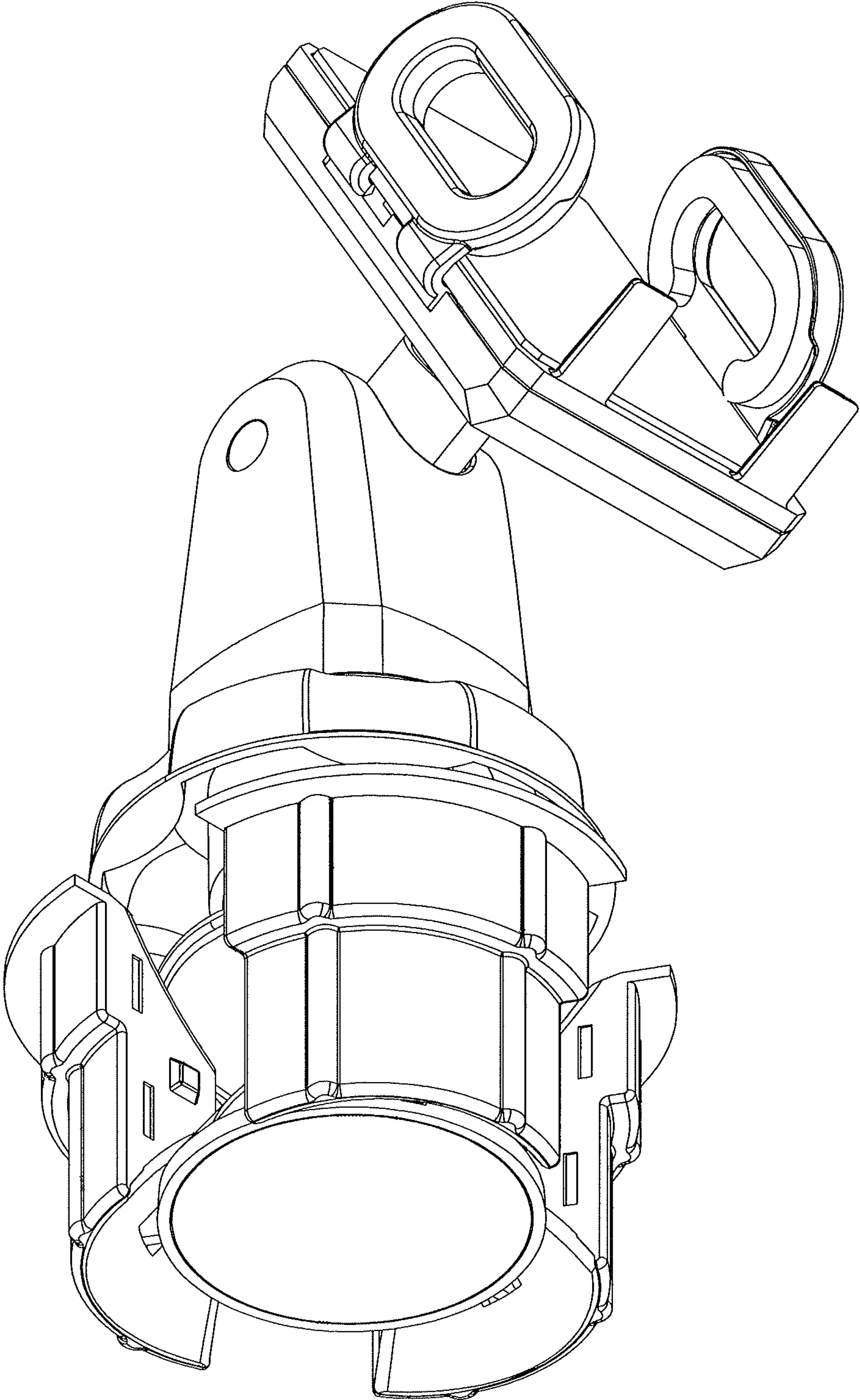


FIG. 2

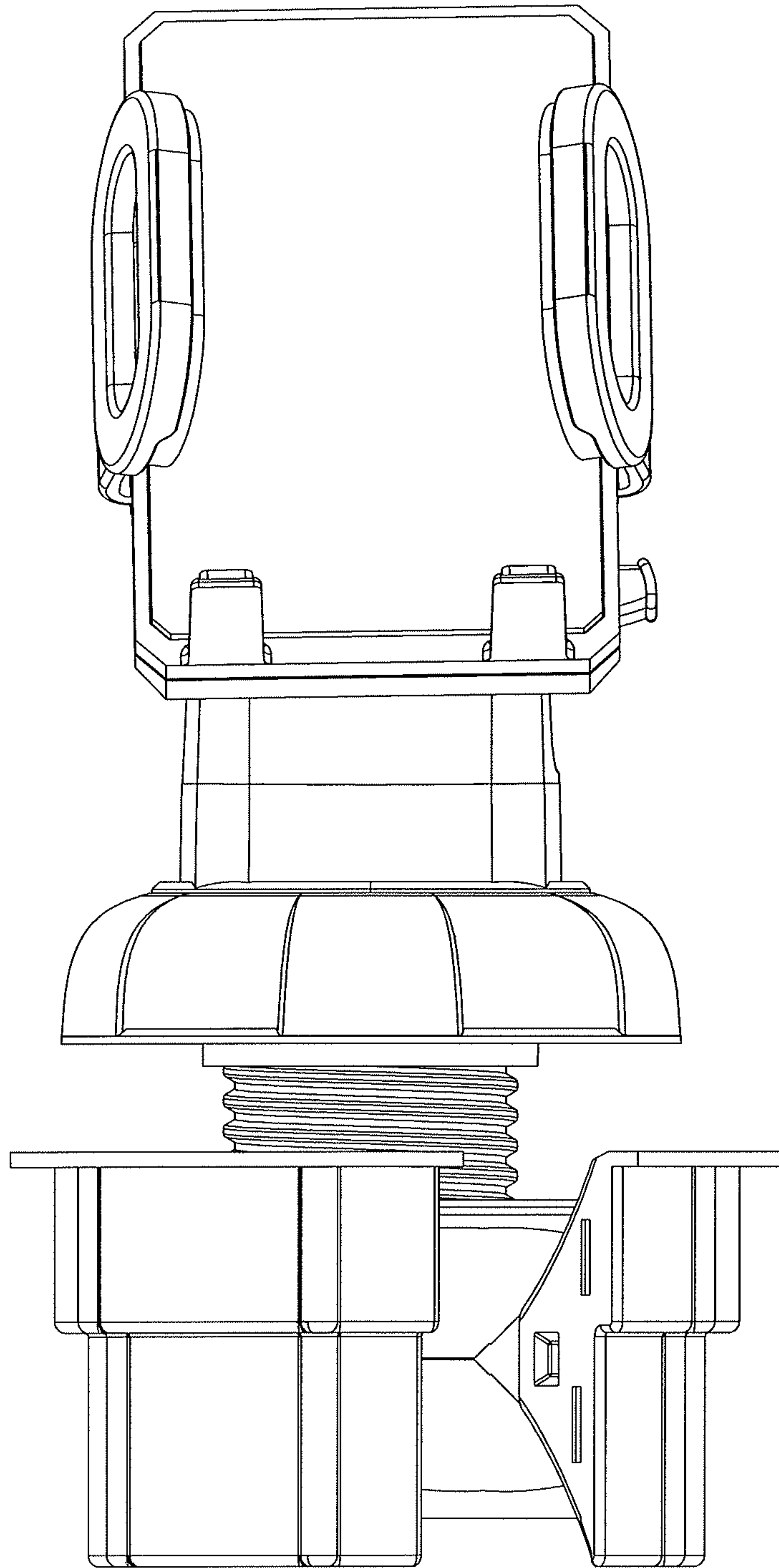


FIG. 3

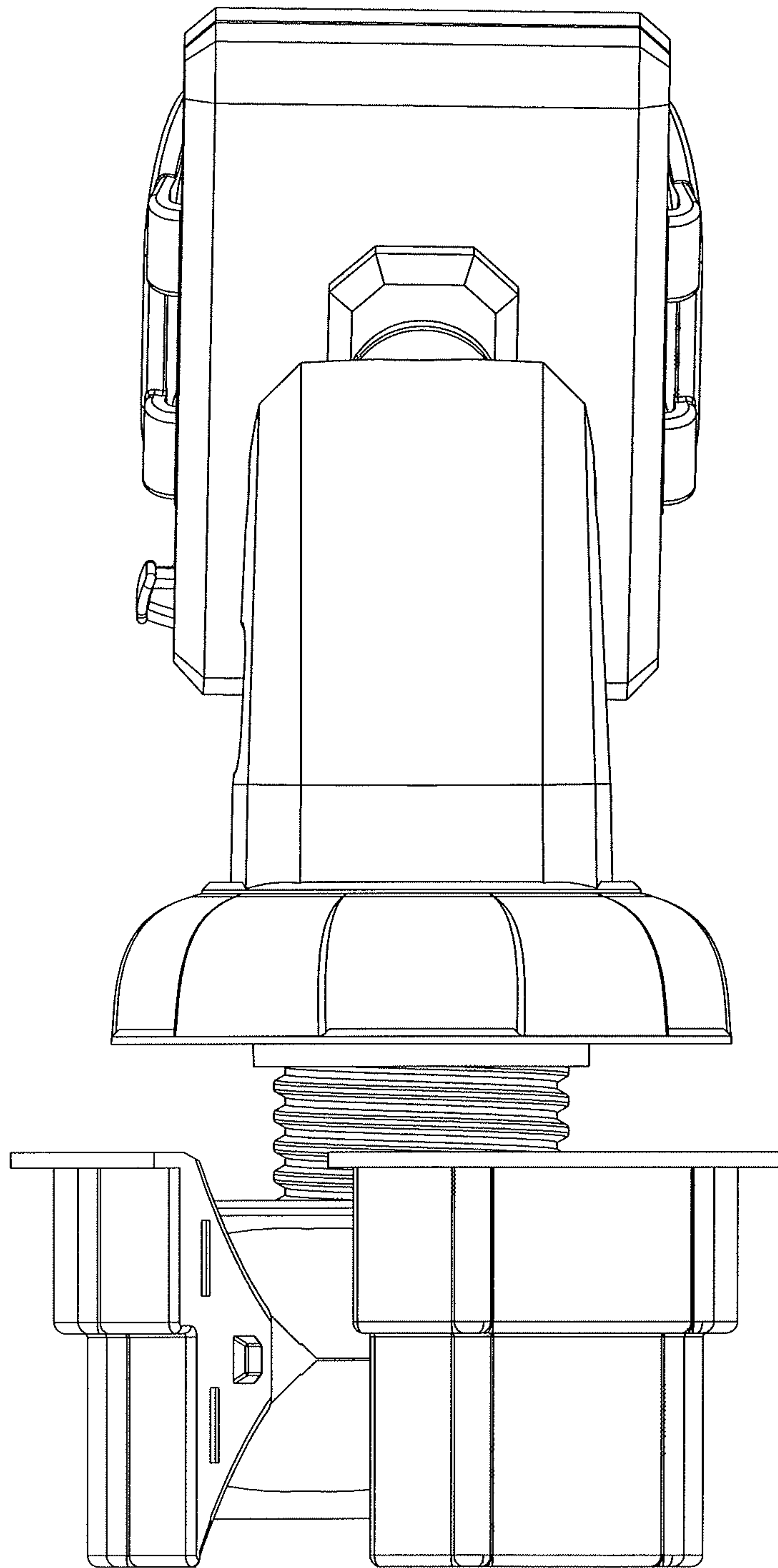


FIG. 4



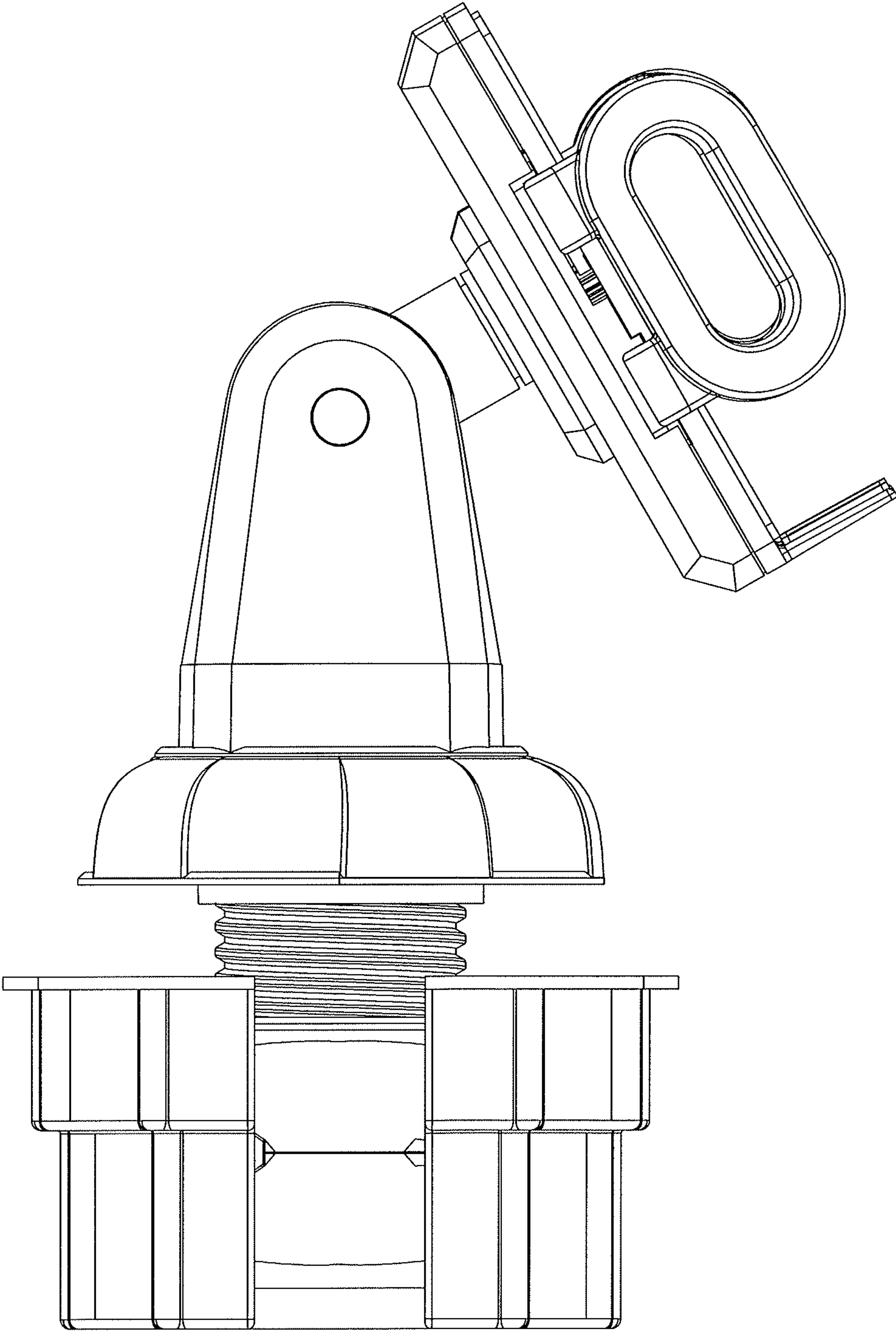


FIG.5

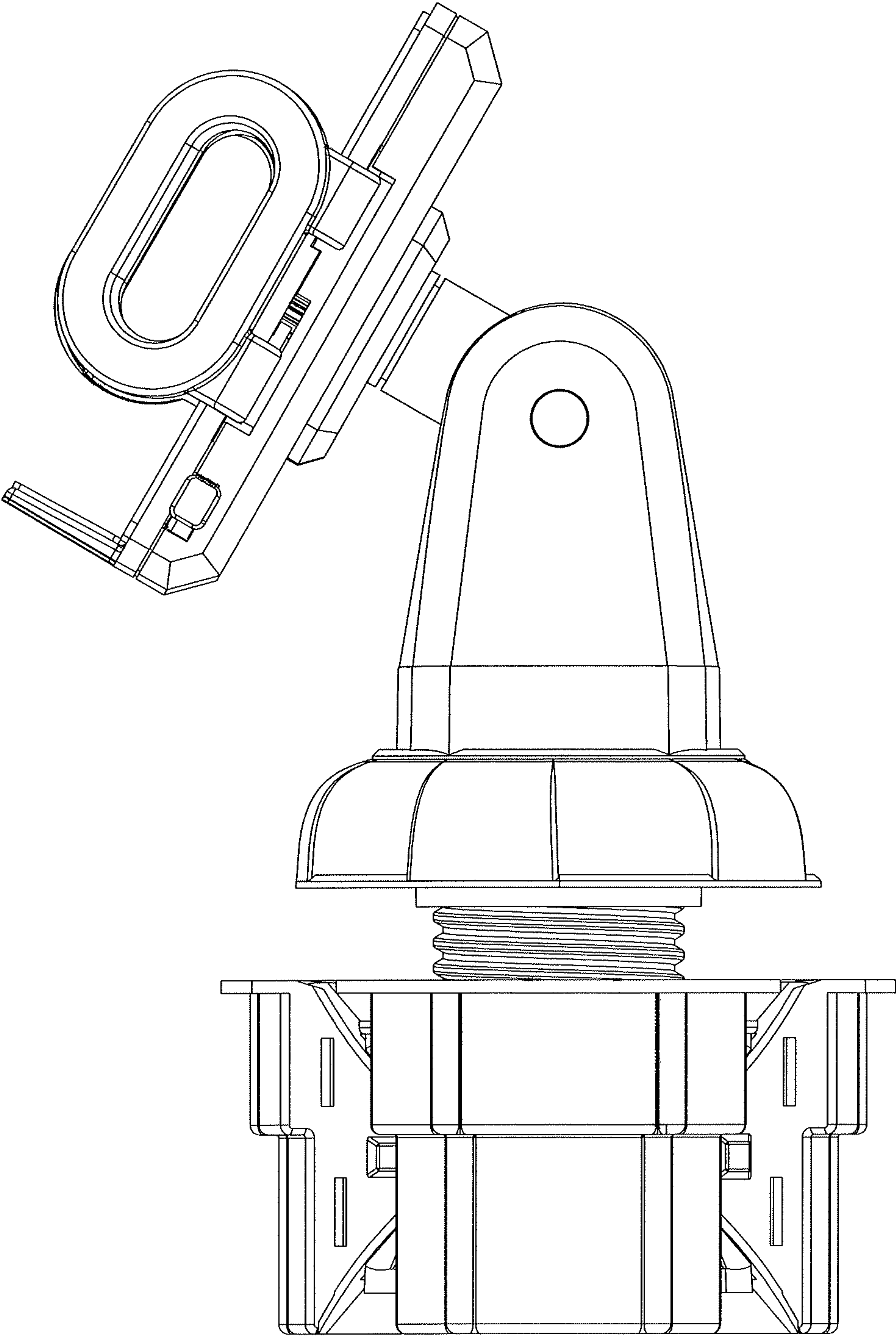


FIG. 6



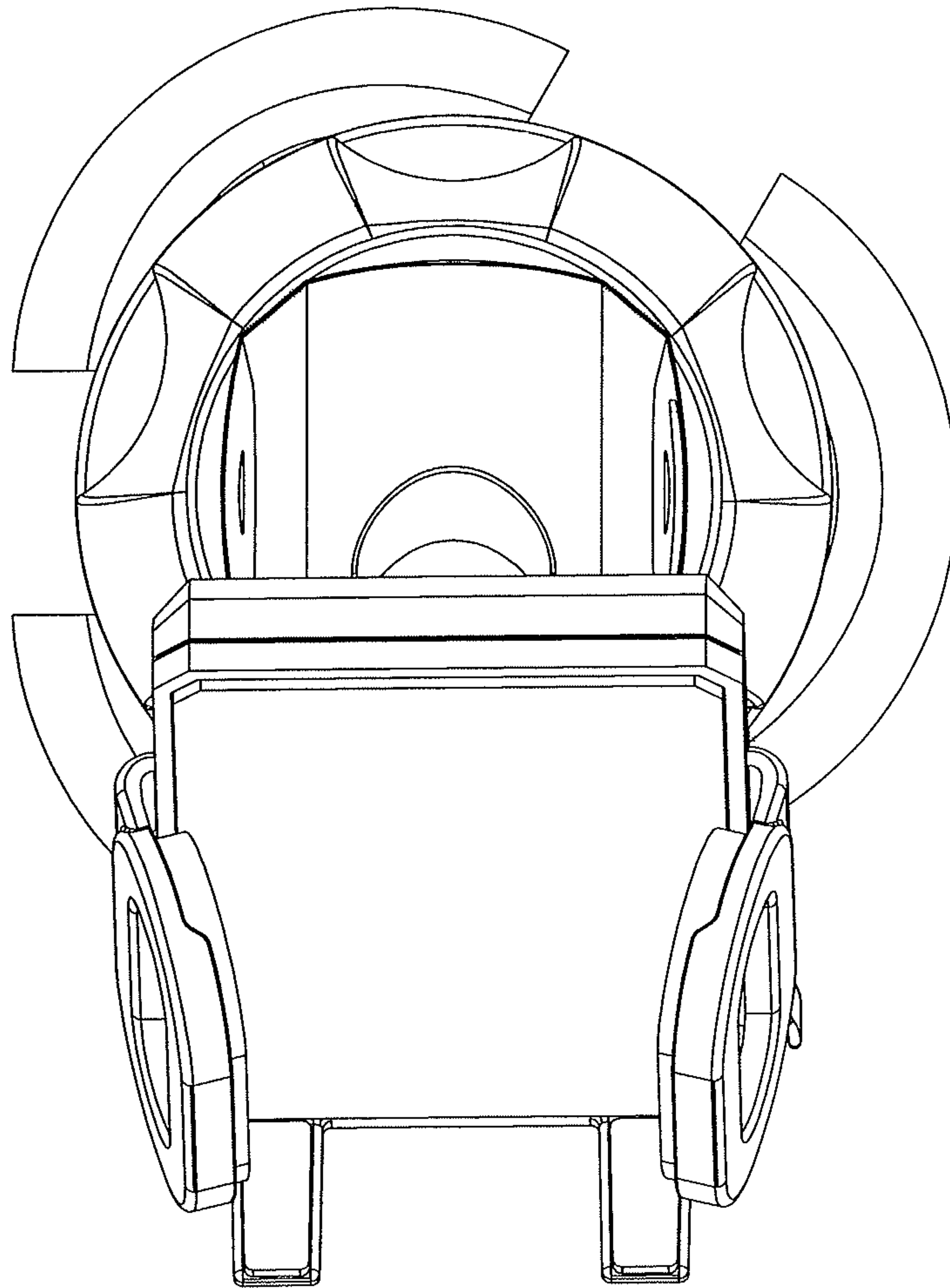


FIG. 7

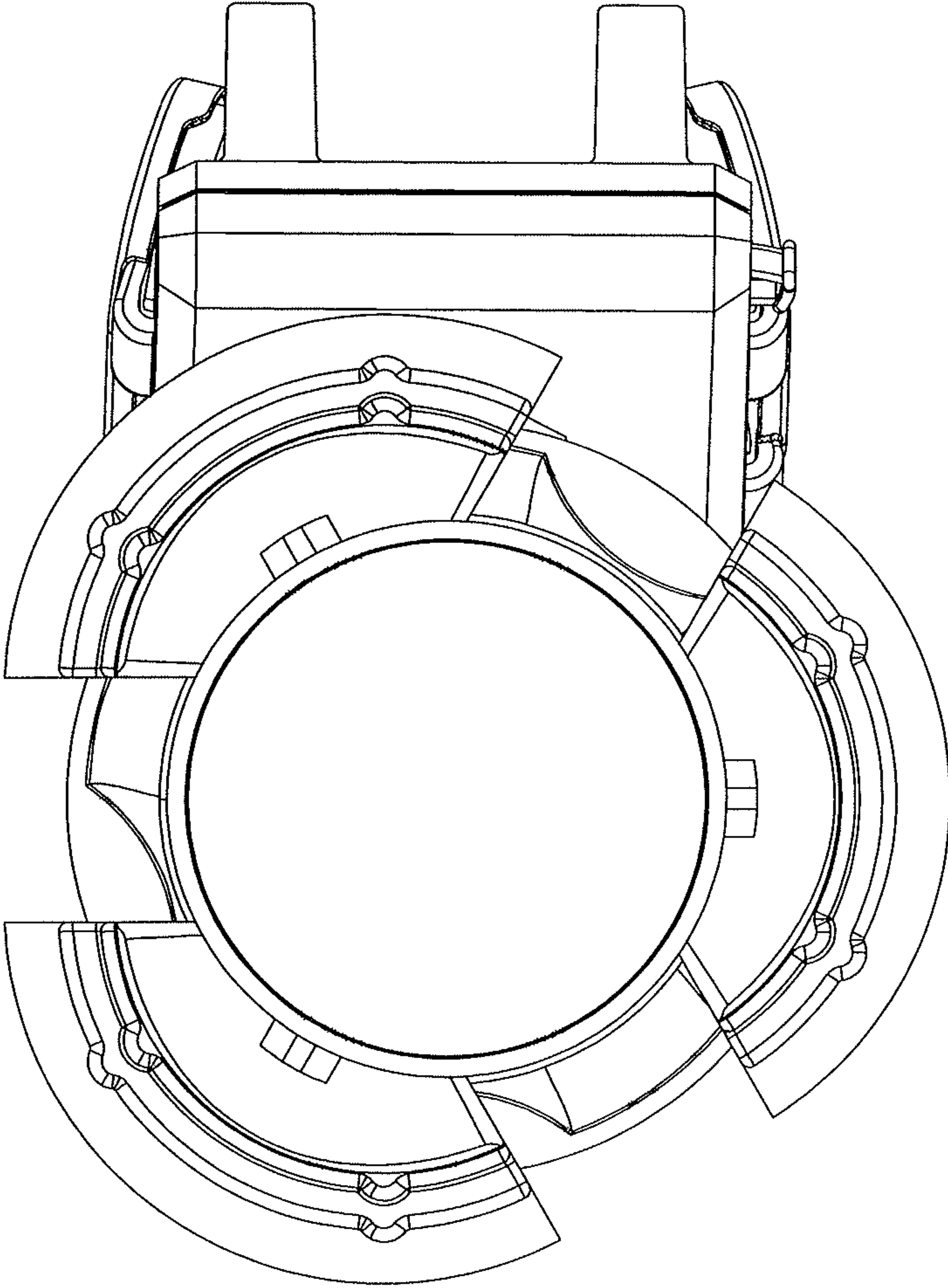


FIG.8