



US00D890734S

(12) **United States Design Patent** (10) **Patent No.:** **US D890,734 S**  
**He** (45) **Date of Patent:** **\*\* Jul. 21, 2020**

(54) **ANTENNA**

(71) Applicant: **Airgain Incorporated**, San Diego, CA (US)

(72) Inventor: **Ziming He**, Irvine, CA (US)

(73) Assignee: **Airgain Incorporated**, San Diego, CA (US)

(\*\*) Term: **15 Years**

(21) Appl. No.: **29/702,689**

(22) Filed: **Aug. 21, 2019**

**Related U.S. Application Data**

(62) Division of application No. 29/664,203, filed on Sep. 23, 2018, now Pat. No. Des. 860,979, which is a division of application No. 29/615,183, filed on Aug. 26, 2017, now Pat. No. Des. 833,422, which is a division of application No. 29/557,307, filed on Mar. 8, 2016, now Pat. No. Des. 795,847.

(51) **LOC (12) Cl.** ..... **14-03**

(52) **U.S. Cl.**  
USPC ..... **D14/230**

(58) **Field of Classification Search**  
USPC ..... D14/138, 230, 231, 232, 233, 234, 235, D14/236, 237, 238, 238.1, 299, 358; D13/175, 182  
CPC ..... G01R 29/10; G01S 2013/0245; G01S 2013/0254; G01S 2013/0263; G01S 7/4026; G05B 2219/45001; G06K 19/07773; G06K 19/07775; G06K 19/07777; G08B 13/2468; G08B 13/2477; H01Q 1/088

See application file for complete search history.

(56) **References Cited**

U.S. PATENT DOCUMENTS

7,123,207	B2 *	10/2006	Yazdandoost .....	H01Q 9/285 343/795
7,193,576	B2 *	3/2007	Yazdandoost .....	H01Q 9/285 343/700 MS
D604,275	S *	11/2009	Norris .....	D14/230
7,612,720	B2 *	11/2009	Kerselaers .....	H01Q 9/285 343/700 MS
D686,600	S *	7/2013	Yang .....	D14/230
D695,279	S *	12/2013	Yang .....	D14/230
D695,280	S *	12/2013	Yang .....	D14/230
D708,602	S *	7/2014	Gosalia .....	D14/230
D735,173	S *	7/2015	Gosalia .....	D14/230
D766,221	S *	9/2016	Zheng .....	D14/230
D766,884	S *	9/2016	Zheng .....	D14/240
D782,448	S *	3/2017	Gosalia .....	D14/230
D784,965	S *	4/2017	Chang .....	D14/230
D788,082	S *	5/2017	Zheng .....	D14/230

(Continued)

*Primary Examiner* — Khawaja Anwar  
*Assistant Examiner* — Mojtaba Tehrani  
(74) *Attorney, Agent, or Firm* — Clause Eight IPS;  
Michael Catania

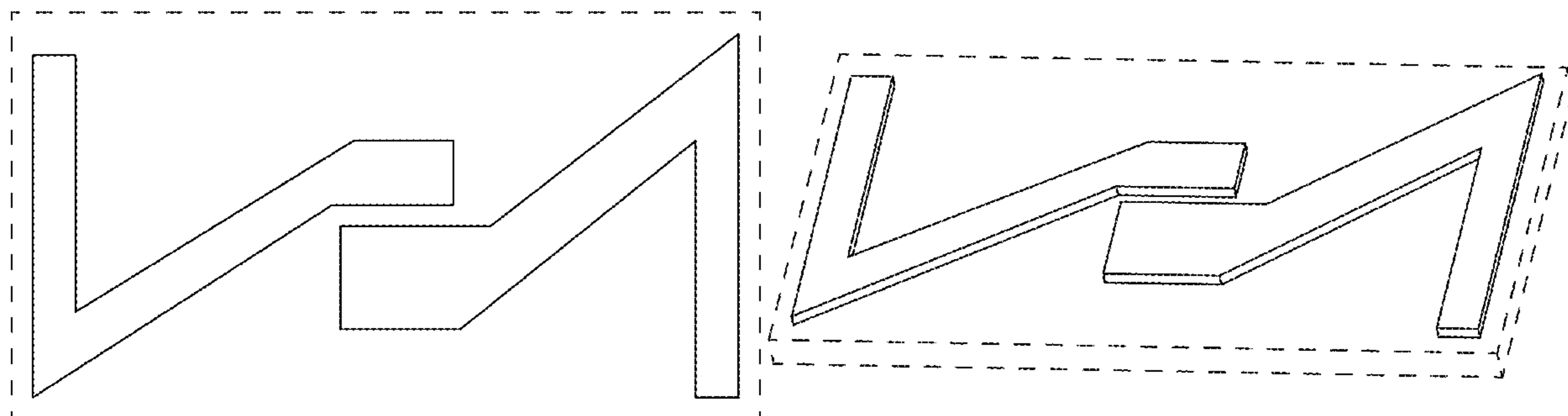
(57) **CLAIM**

The ornamental design for an antenna, as shown and described.

**DESCRIPTION**

FIG. 1 is a top plan view of an antenna, showing my new design;  
FIG. 2 is a front elevation view thereof;  
FIG. 3 is a bottom plan view thereof;  
FIG. 4 is a side elevation view thereof;  
FIG. 5 is a top perspective view thereof;  
FIG. 6 is a top plan view thereof, with unclaimed environment not shown; and,  
FIG. 7 is a front elevation view thereof, with unclaimed environment not shown.  
The broken line in the figure drawings represents unclaimed environment only and forms no part of the claimed design.

**1 Claim, 4 Drawing Sheets**



(56)

**References Cited**

U.S. PATENT DOCUMENTS

D795,228	S *	8/2017	He	.....	D14/230
D795,847	S *	8/2017	He	.....	D14/230
D797,708	S *	9/2017	Yang	.....	D14/230
D801,318	S *	10/2017	Manivannan	.....	D14/230
D801,955	S *	11/2017	He	.....	D14/230
D801,956	S *	11/2017	He	.....	D14/230
D802,568	S *	11/2017	Manivannan	.....	D14/230
D803,194	S *	11/2017	Yang	.....	D14/230
D814,448	S *	4/2018	Montgomery	.....	D14/230
D824,373	S *	7/2018	He	.....	D14/230
D860,979	S *	9/2019	He	.....	D14/230
2007/0194999	A1 *	8/2007	Morton	.....	H01Q 1/48 343/767
2015/0294215	A1 *	10/2015	Manzi	.....	G06K 7/0008 235/439

\* cited by examiner

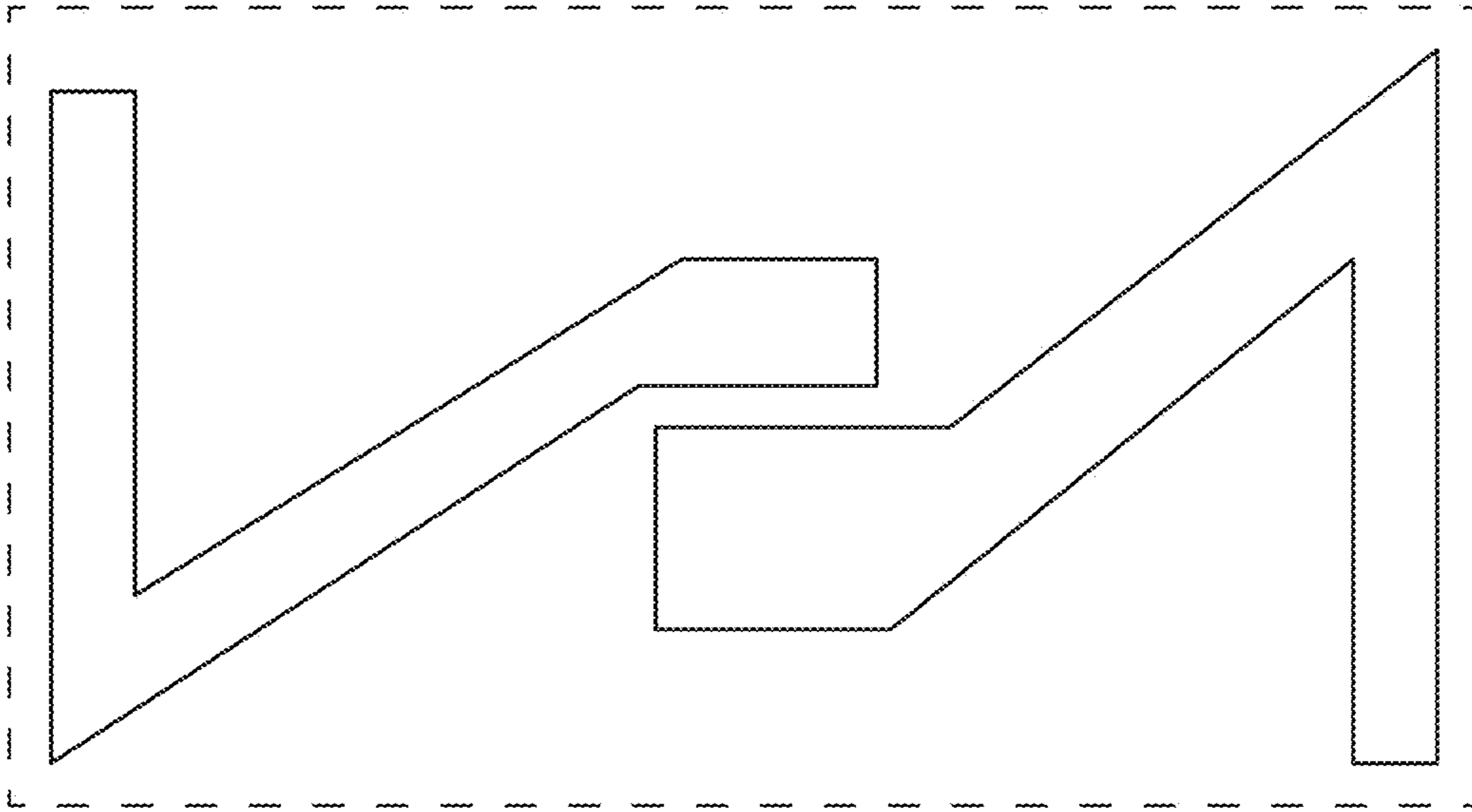


FIG. 1

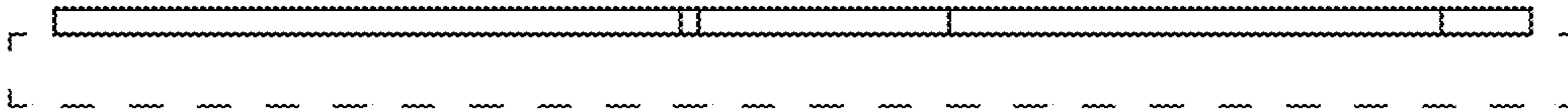


FIG. 2

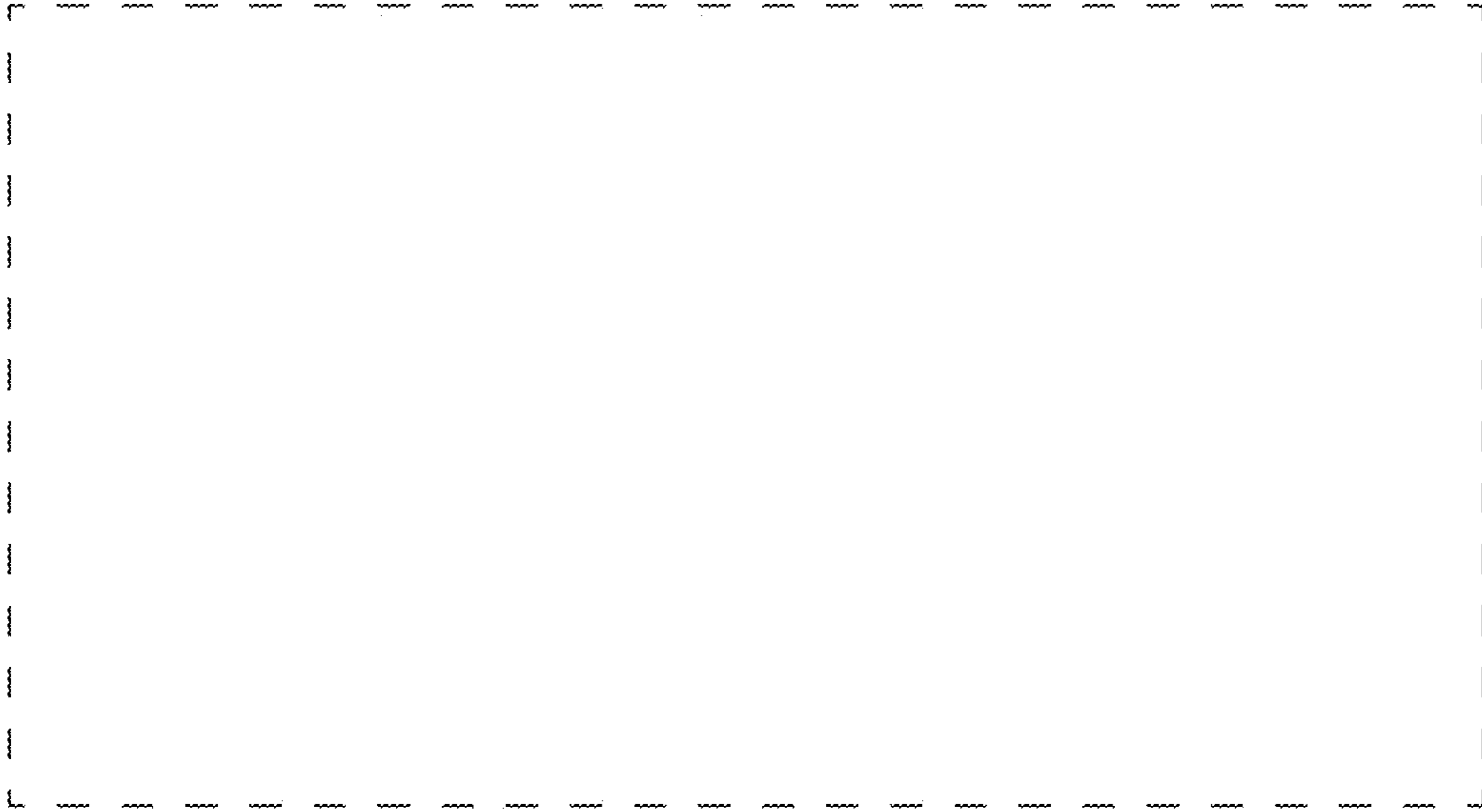


FIG. 3



FIG. 4

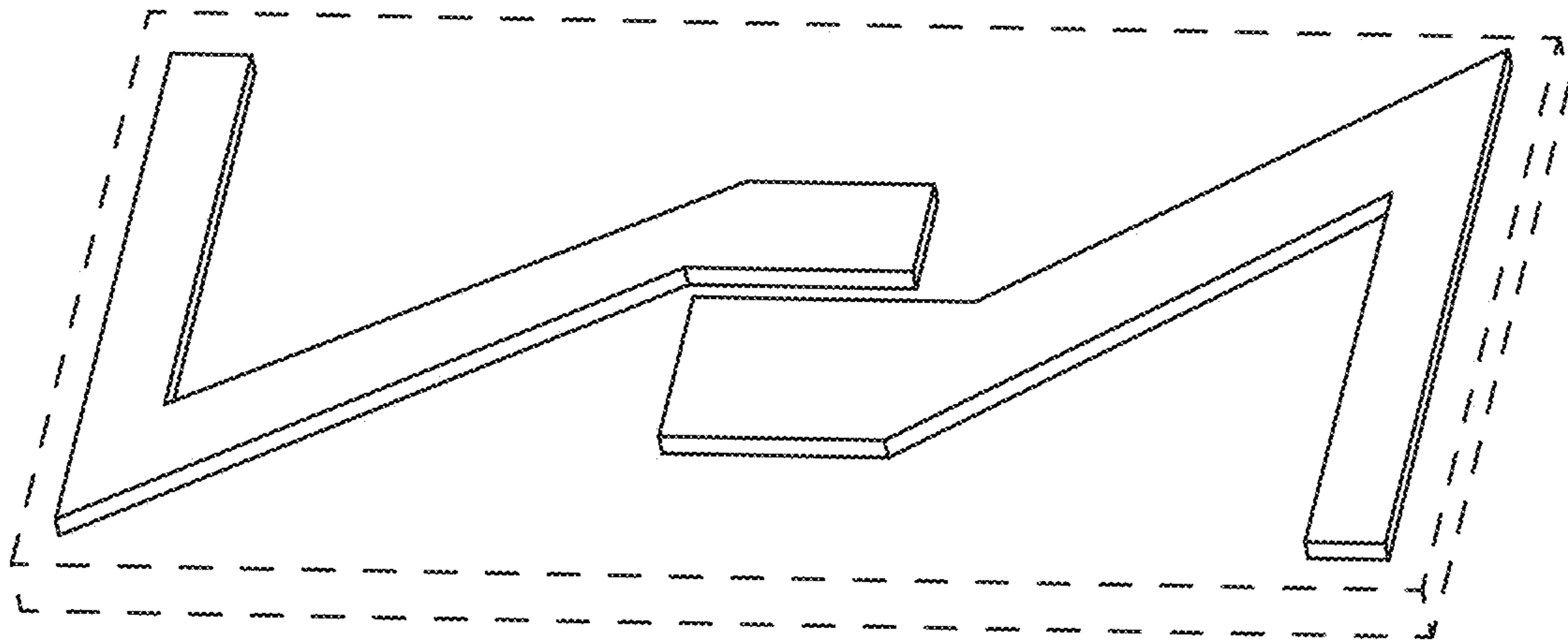


FIG. 5

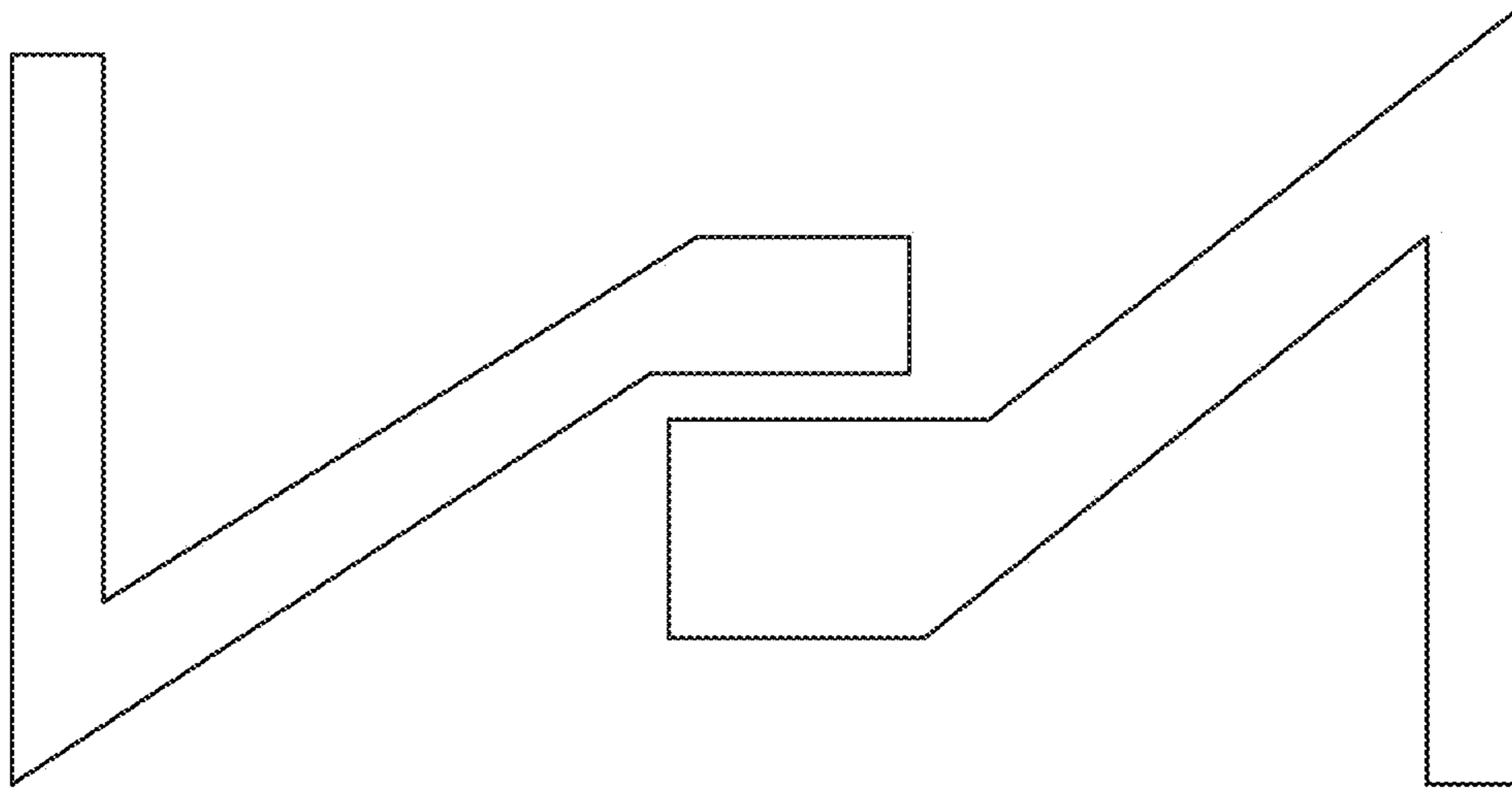


FIG. 6

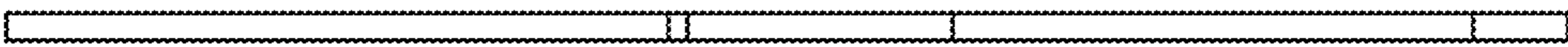


FIG. 7