



US00D890732S

(12) **United States Design Patent** (10) **Patent No.:** **US D890,732 S**
Chen (45) **Date of Patent:** **** Jul. 21, 2020**

(54) **COMPUTER MICROPHONE**
(71) Applicant: **Ching-Wen Chen**, Taipei (TW)
(72) Inventor: **Ching-Wen Chen**, Taipei (TW)
(**) Term: **15 Years**
(21) Appl. No.: **29/688,863**
(22) Filed: **Apr. 25, 2019**
(51) **LOC (12) Cl.** **14-01**
(52) **U.S. Cl.**
USPC **D14/227**
(58) **Field of Classification Search**
USPC D14/224-229; D16/244; D17/99;
D6/681; 248/125.1, 166, 185.1;
381/355, 359, 361-363, 365, 366, 369,
381/375; 379/428.01, 428.04, 431,
379/433.03
CPC . H04R 25/00; H04R 1/02; H04R 5/02; H04R
9/08; F16M 11/38; F16M 13/00; F16M
11/00
See application file for complete search history.

D834,564 S * 11/2018 Chen D14/226
D834,566 S * 11/2018 Sunwoo D14/227
D835,612 S * 12/2018 Tong D14/225
D842,278 S * 3/2019 Tong D14/227
D849,721 S * 5/2019 Chen D14/227
D850,423 S * 6/2019 Chen D14/227
2006/0002576 A1 * 1/2006 Akino H04R 1/021
381/361
2008/0152174 A1 * 6/2008 Marshall H04R 19/04
381/172
2010/0208929 A1 * 8/2010 Heil H04R 11/04
381/355

* cited by examiner

Primary Examiner — Katie Jane Stofko

(57) **CLAIM**

The ornamental design for a computer microphone, as shown and described.

DESCRIPTION

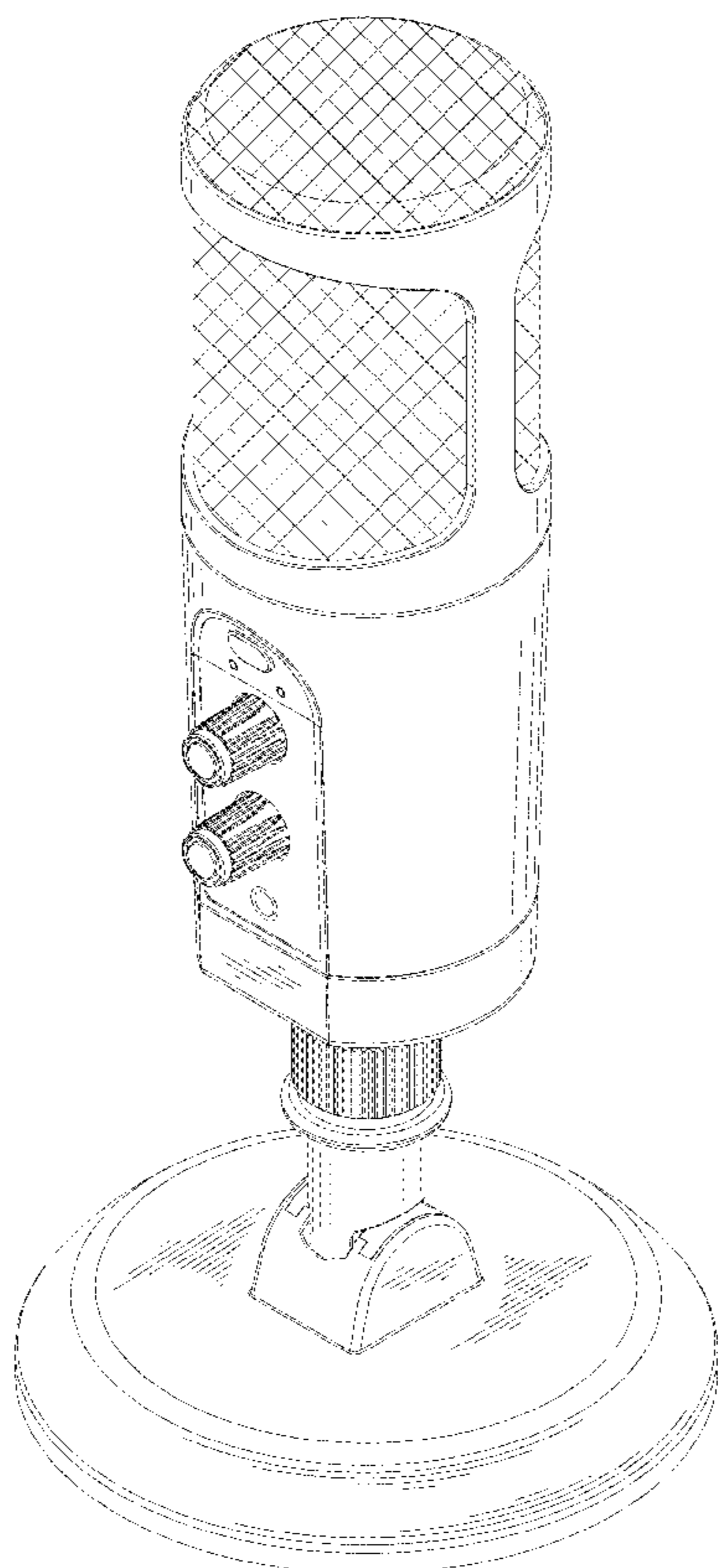
FIG. 1 is a top perspective view of a computer microphone showing my new design;
FIG. 2 is a front view thereof;
FIG. 3 is a rear view thereof;
FIG. 4 is a left elevational side view thereof;
FIG. 5 is a right elevational side view thereof;
FIG. 6 is a top plan view thereof; and,
FIG. 7 is a bottom plan view thereof.

1 Claim, 7 Drawing Sheets

(56) **References Cited**

U.S. PATENT DOCUMENTS

D171,055 S * 12/1953 Schell, Jr. D14/225
D594,856 S * 6/2009 Marshall D14/228
D604,274 S * 11/2009 Durrett D14/228
D834,004 S * 11/2018 Chen D14/226



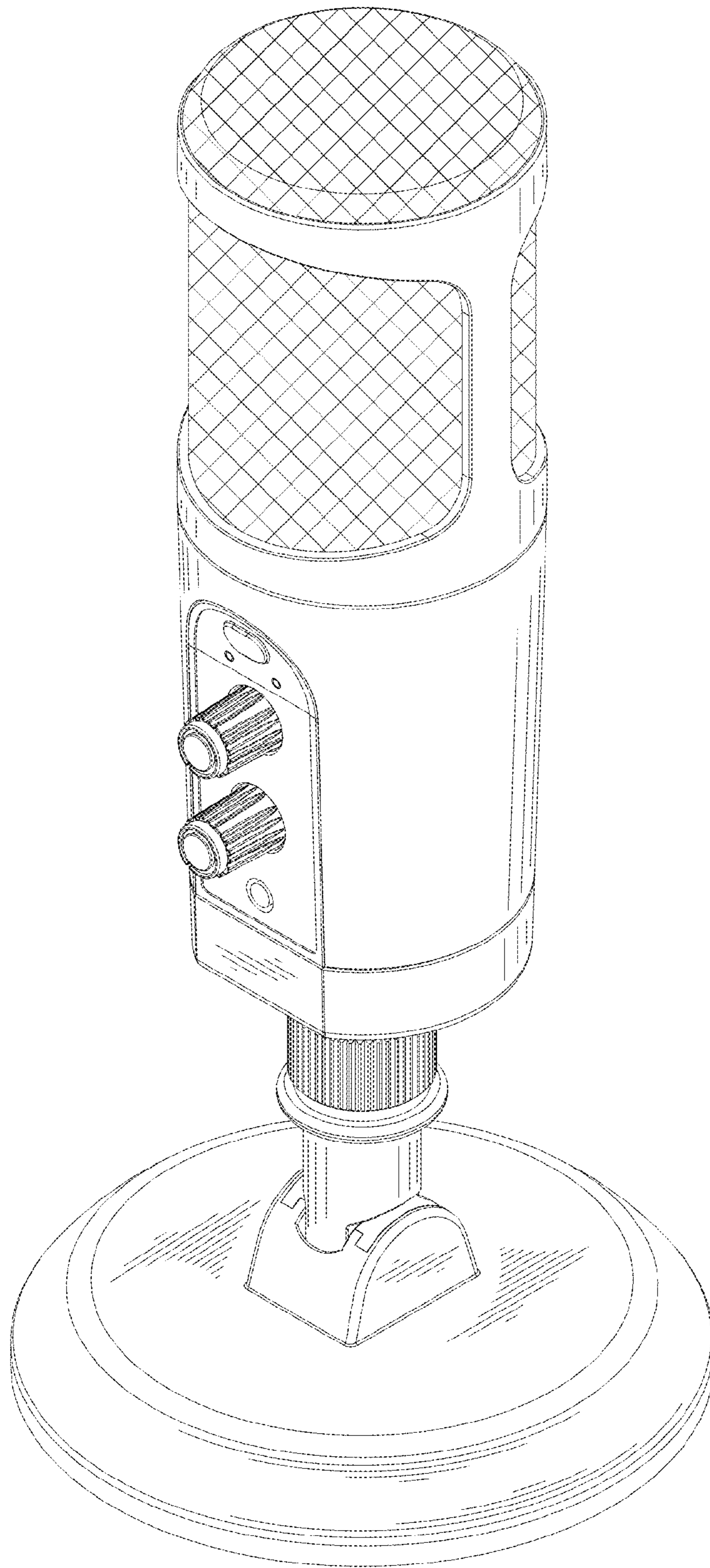


Fig.1

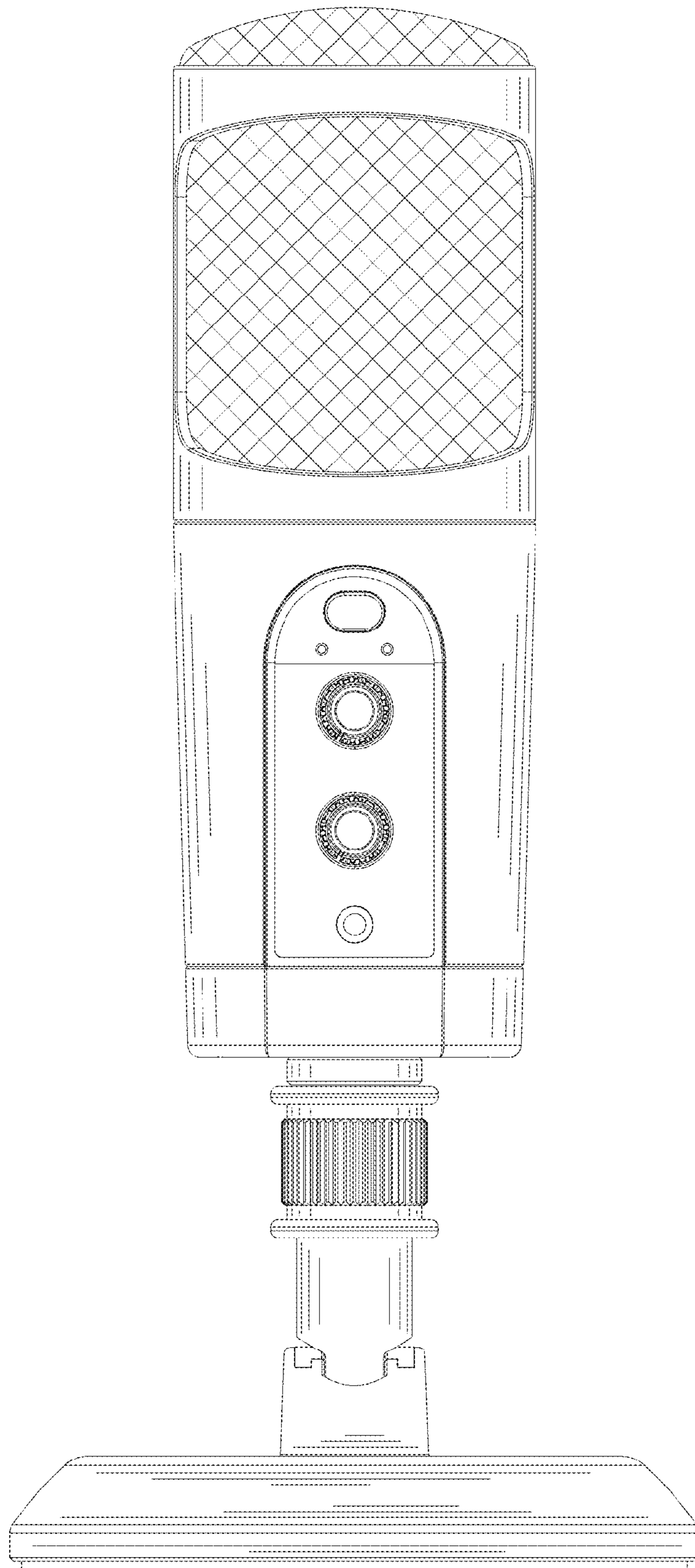


Fig.2

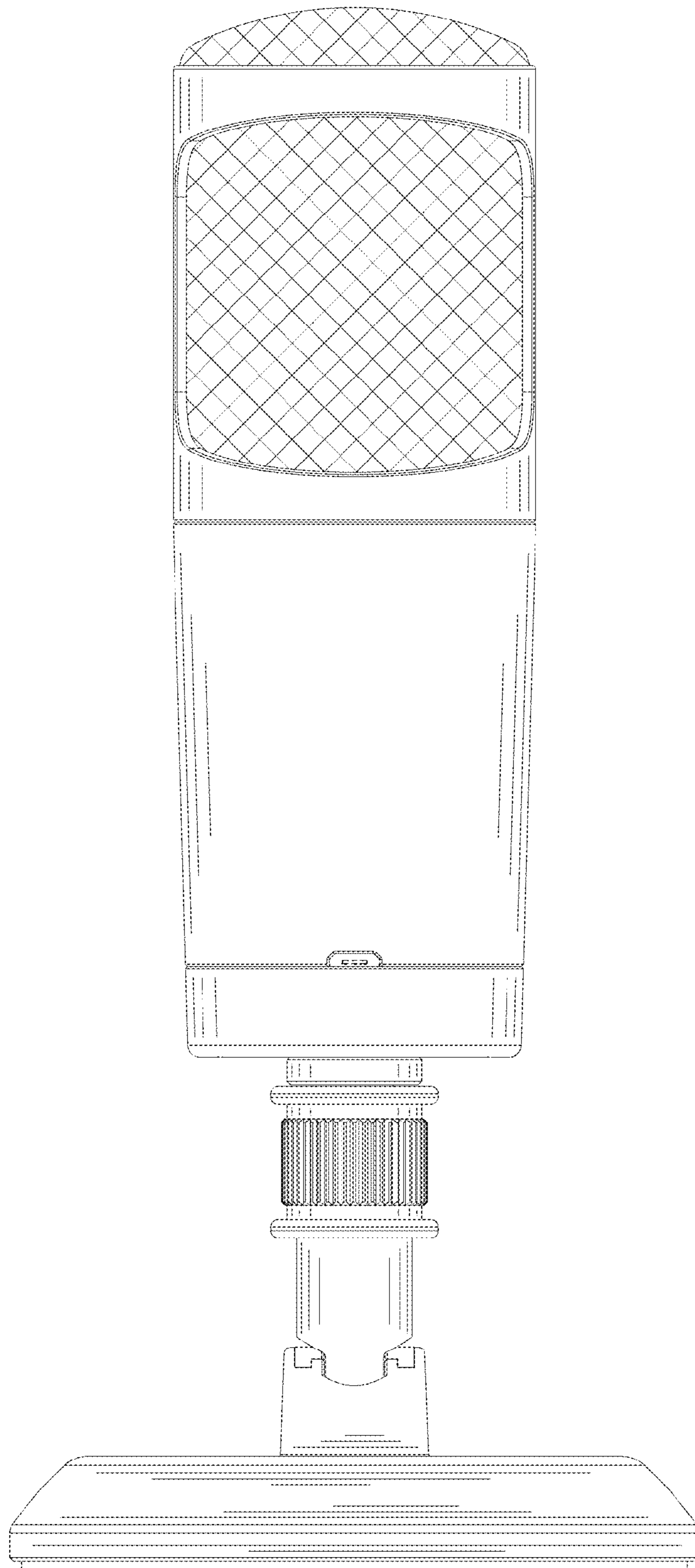


Fig.3

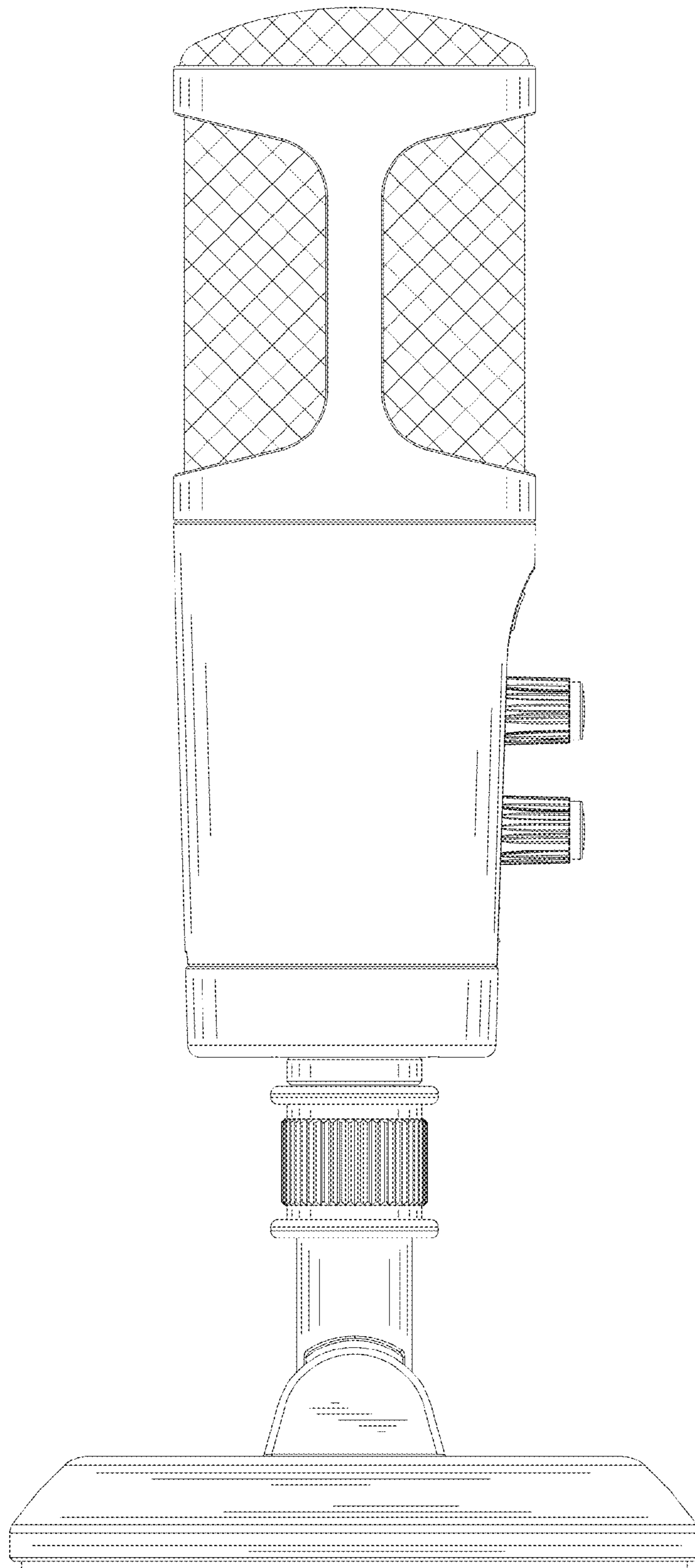


Fig.4

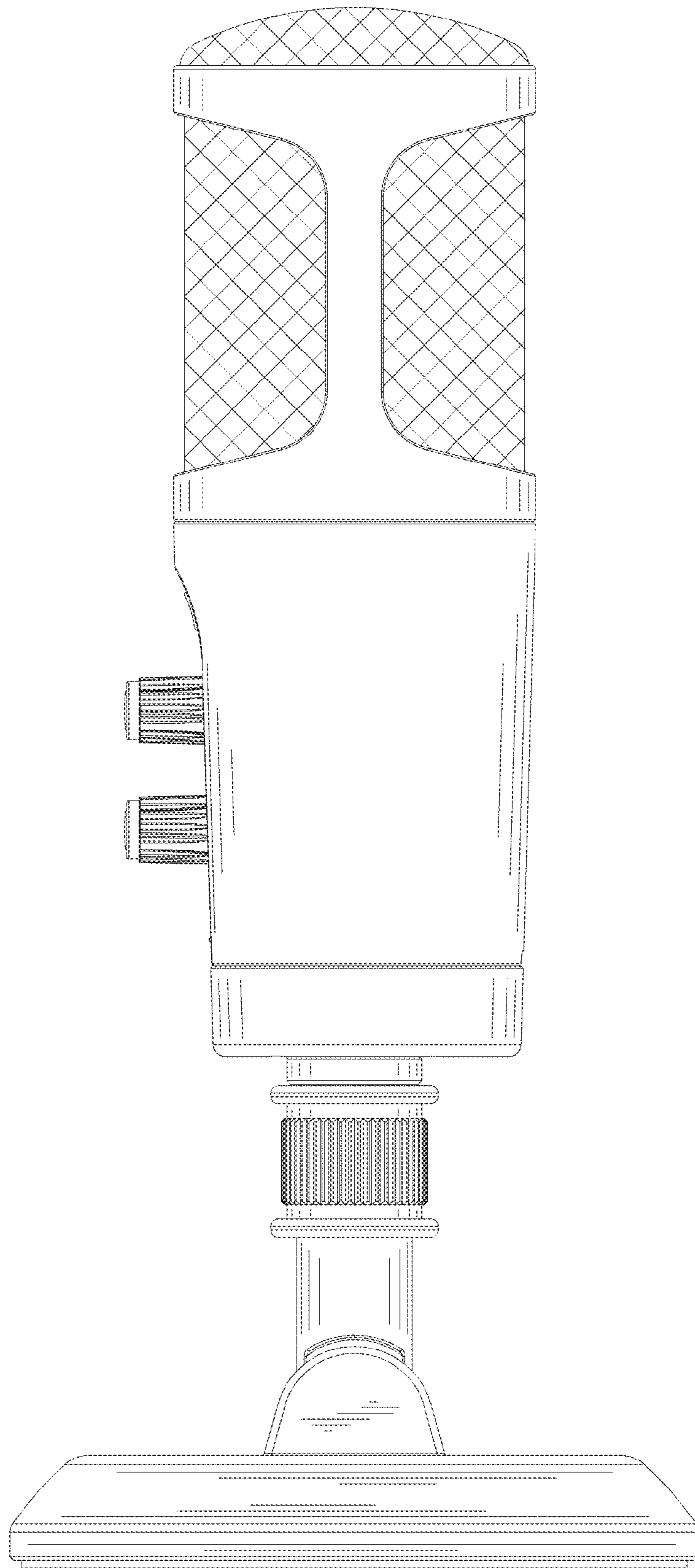


Fig.5

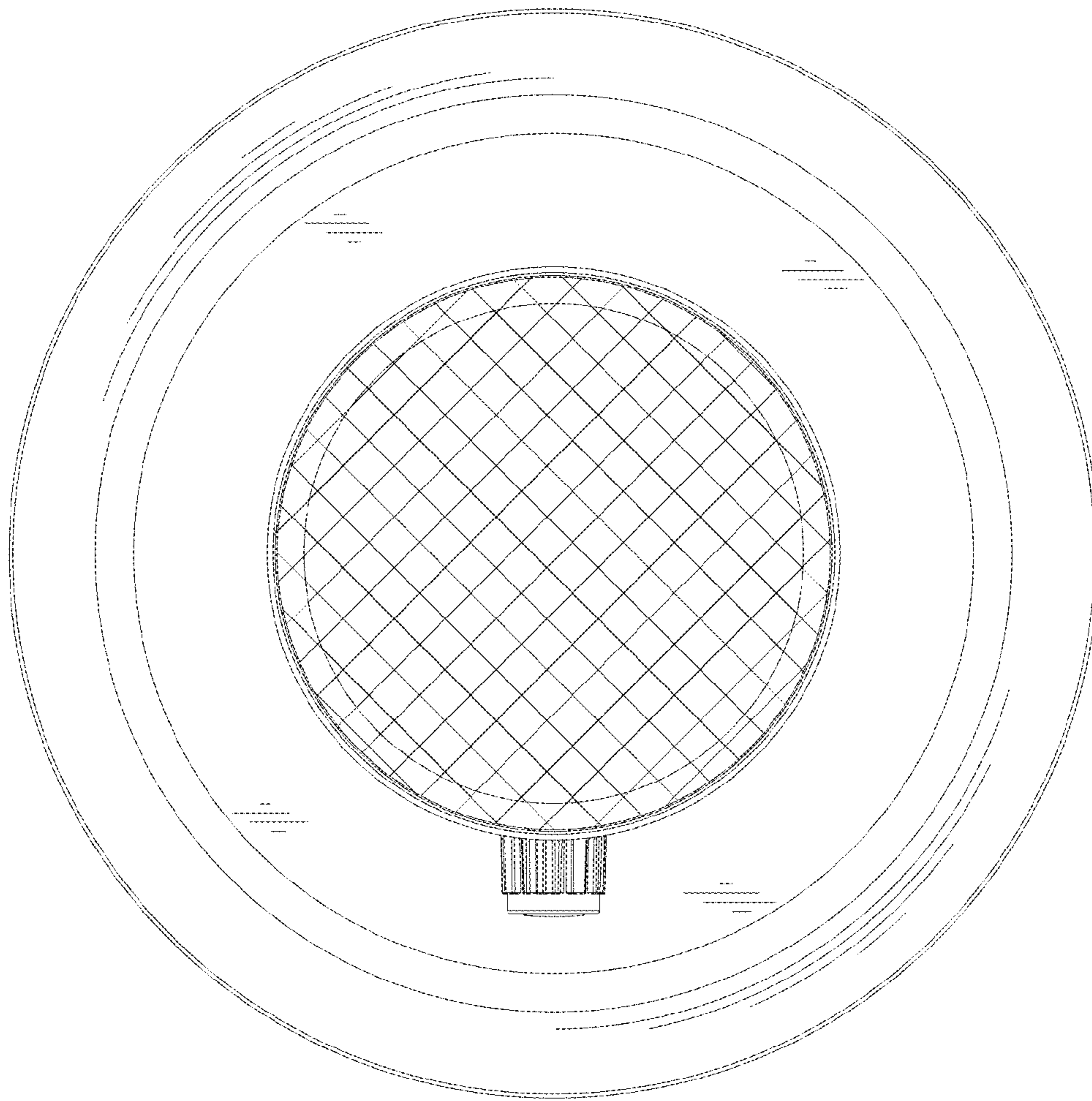


Fig.6

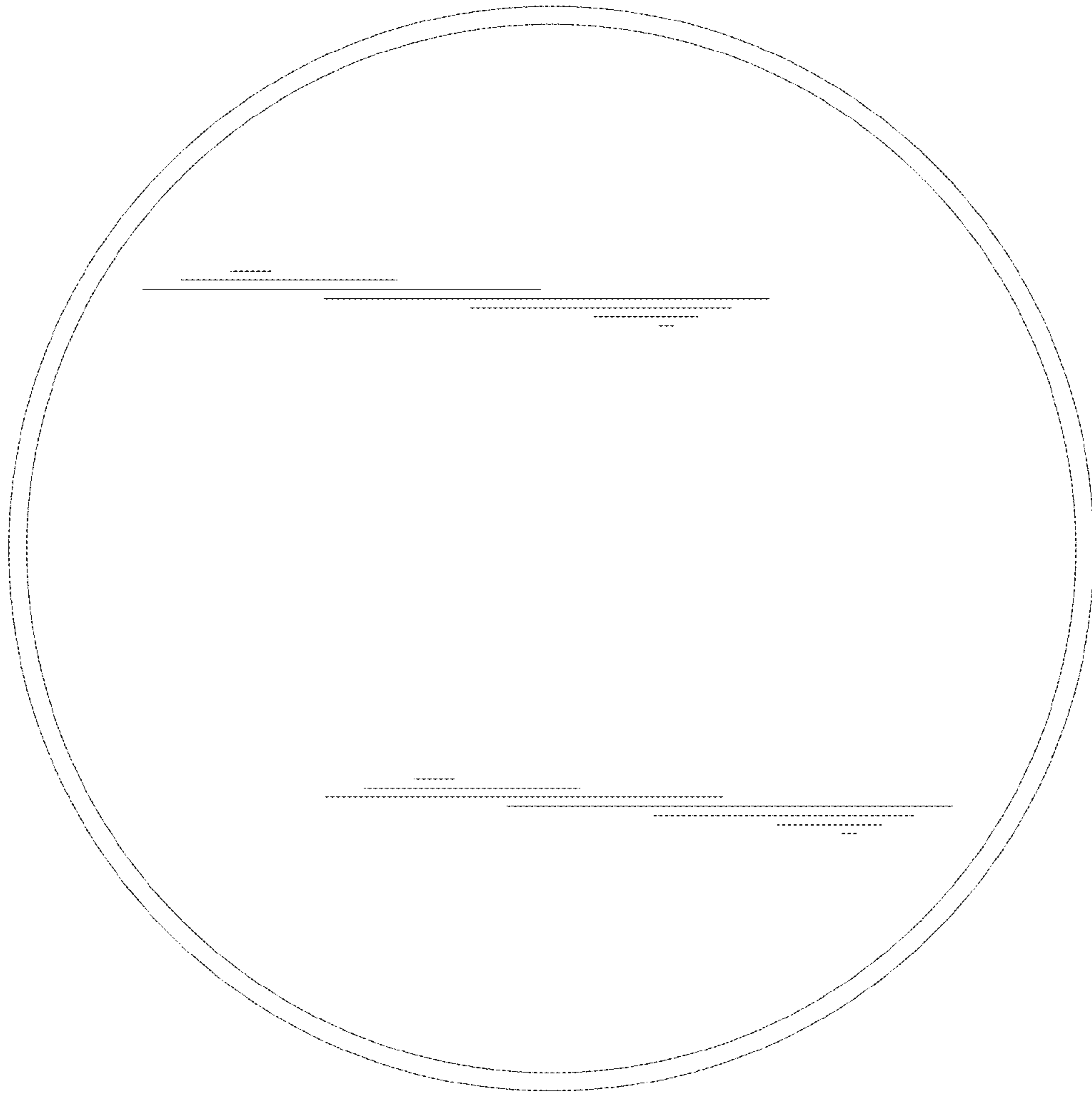


Fig.7