

US00D890729S

(12) **United States Design Patent**
Chen

(10) **Patent No.:** **US D890,729 S**

(45) **Date of Patent:** **** Jul. 21, 2020**

- (54) **MULTI-PURPOSE MICROPHONE**
- (71) Applicant: **Ching-Wen Chen**, Taipei (TW)
- (72) Inventor: **Ching-Wen Chen**, Taipei (TW)
- (**) Term: **15 Years**
- (21) Appl. No.: **29/676,285**
- (22) Filed: **Jan. 9, 2019**
- (51) **LOC (12) Cl.** **14-01**
- (52) **U.S. Cl.**
USPC **D14/227**
- (58) **Field of Classification Search**
USPC D14/227, 225, 228, 229, 142, 155, 172,
D14/214, 299; D16/221, 213, 214;
D8/396; 248/74.1, 74.3, 562; 381/181,
381/355, 356, 357, 358, 360, 361,
381/362-366, 368; 181/158, 242
CPC . H04R 25/00; H04R 1/20; H04R 9/08; H04R
5/00; H04R 19/04; H04R 19/016
See application file for complete search history.

- 4,344,184 A * 8/1982 Edwards H04B 1/04
343/702
- D278,233 S * 4/1985 Hardy D14/229
- D296,099 S * 6/1988 Kubota D14/227
- 4,764,817 A * 8/1988 Blazek G11B 27/028
348/376
- 4,811,405 A * 3/1989 Peiker H04R 1/08
381/365
- 4,853,965 A * 8/1989 Blonski F16M 11/10
381/363
- D305,026 S * 12/1989 Wolf D14/229
- 4,910,795 A * 3/1990 McCowen H04R 1/04
455/95
- 4,929,973 A * 5/1990 Nakatani F16M 11/041
248/177.1
- D311,189 S * 10/1990 Lazzeroni D14/225
- D313,802 S * 1/1991 Peiker D14/227
- 4,991,220 A * 2/1991 Wolf H04R 1/08
381/361
- 5,031,872 A * 7/1991 Vance F16F 9/0481
248/187.1
- D319,874 S * 9/1991 Hoelbl D16/221
- D327,211 S * 6/1992 Tarshis D14/229

(Continued)

Primary Examiner — Paula Allen Greene

(56) **References Cited**

U.S. PATENT DOCUMENTS

- D189,720 S * 2/1961 Burroughs D14/228
- D194,151 S * 11/1962 Deschamps D14/228
- D196,919 S * 11/1963 Deschamps D14/228
- 3,153,123 A * 10/1964 Harman H04R 1/08
381/363
- 3,356,325 A * 12/1967 Schnase F16M 11/2021
248/187.1
- 3,414,686 A * 12/1968 Reinthaler H04R 1/08
181/242
- 3,452,955 A * 7/1969 Hartwig H04R 1/08
248/229.26
- 3,653,625 A * 4/1972 Plice F16F 15/0232
267/113
- 3,924,083 A * 12/1975 Hagey H04R 1/08
248/596

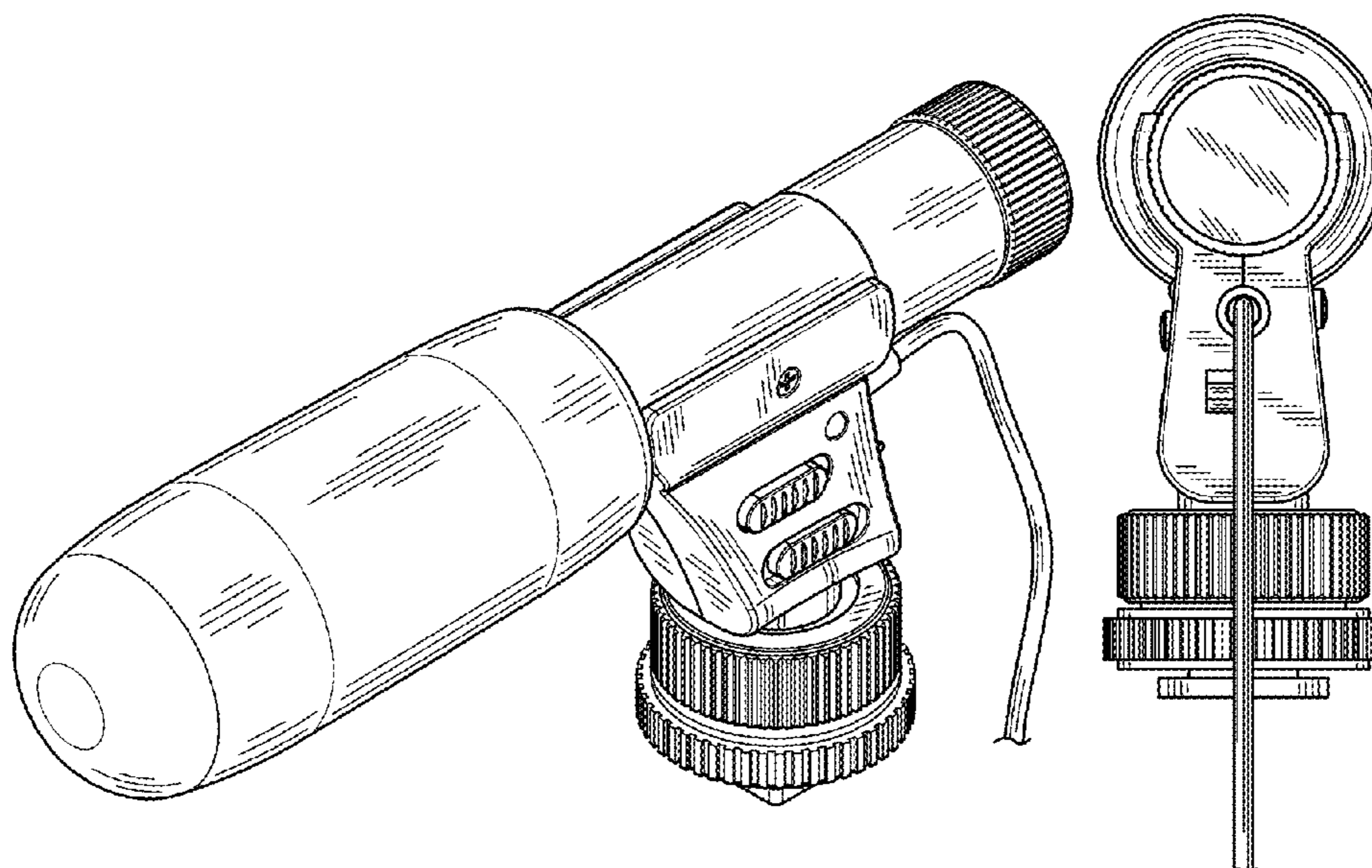
(57) **CLAIM**

The ornamental design for a multi-purpose microphone, as shown and described.

DESCRIPTION

FIG. 1 is a top perspective view of a multi-purpose microphone showing my new design, the cord is drawn broken away for ease of illustration;
 FIG. 2 is a front view thereof;
 FIG. 3 is a rear view thereof;
 FIG. 4 is a left elevational side view thereof;
 FIG. 5 is a right elevational side view thereof;
 FIG. 6 is a top elevational view thereof; and,
 FIG. 7 is a bottom elevational view thereof.

1 Claim, 6 Drawing Sheets



(56)

References Cited

U.S. PATENT DOCUMENTS

5,303,304 A * 4/1994 Lee G11B 31/006
 348/373
 5,664,750 A * 9/1997 Cohen F16M 11/041
 248/229.15
 D387,770 S * 12/1997 Liao D14/227
 5,742,697 A * 4/1998 Ching-Chung H04R 1/083
 381/355
 D412,705 S * 8/1999 Laiacona D14/172
 6,671,382 B2 * 12/2003 Chen H01R 35/02
 381/189
 6,721,432 B1 * 4/2004 Yamamoto H04R 1/02
 381/355
 D500,511 S * 1/2005 Sybilrud D16/203
 6,922,475 B2 * 7/2005 Hsieh H04R 1/08
 381/361
 7,251,341 B2 * 7/2007 Epping H04R 1/083
 381/355
 D563,396 S * 3/2008 Probst D14/228

D588,114 S * 3/2009 Ollila D14/225
 D598,011 S * 8/2009 Thusbass D14/225
 D602,920 S * 10/2009 Fleischer D14/226
 7,606,385 B2 * 10/2009 Akino H04R 1/083
 381/355
 D603,381 S * 11/2009 Fleischer D14/227
 D605,183 S * 12/2009 Fleischer D14/227
 D618,222 S * 6/2010 Kallas D14/229
 7,974,429 B2 * 7/2011 Tsai H04R 1/08
 381/355
 8,180,087 B2 * 5/2012 Wu H01R 31/06
 381/122
 D676,428 S * 2/2013 Trewartha D14/225
 D687,420 S * 8/2013 Trewartha D14/225
 D746,797 S * 1/2016 Chen D14/228
 D814,446 S * 4/2018 Sunwoo D14/227
 D836,090 S * 12/2018 Li D14/227
 D849,721 S * 5/2019 Chen D14/227
 D864,921 S * 10/2019 Mai D14/227
 2004/0157581 A1 * 8/2004 Park H04M 1/05
 455/344

* cited by examiner

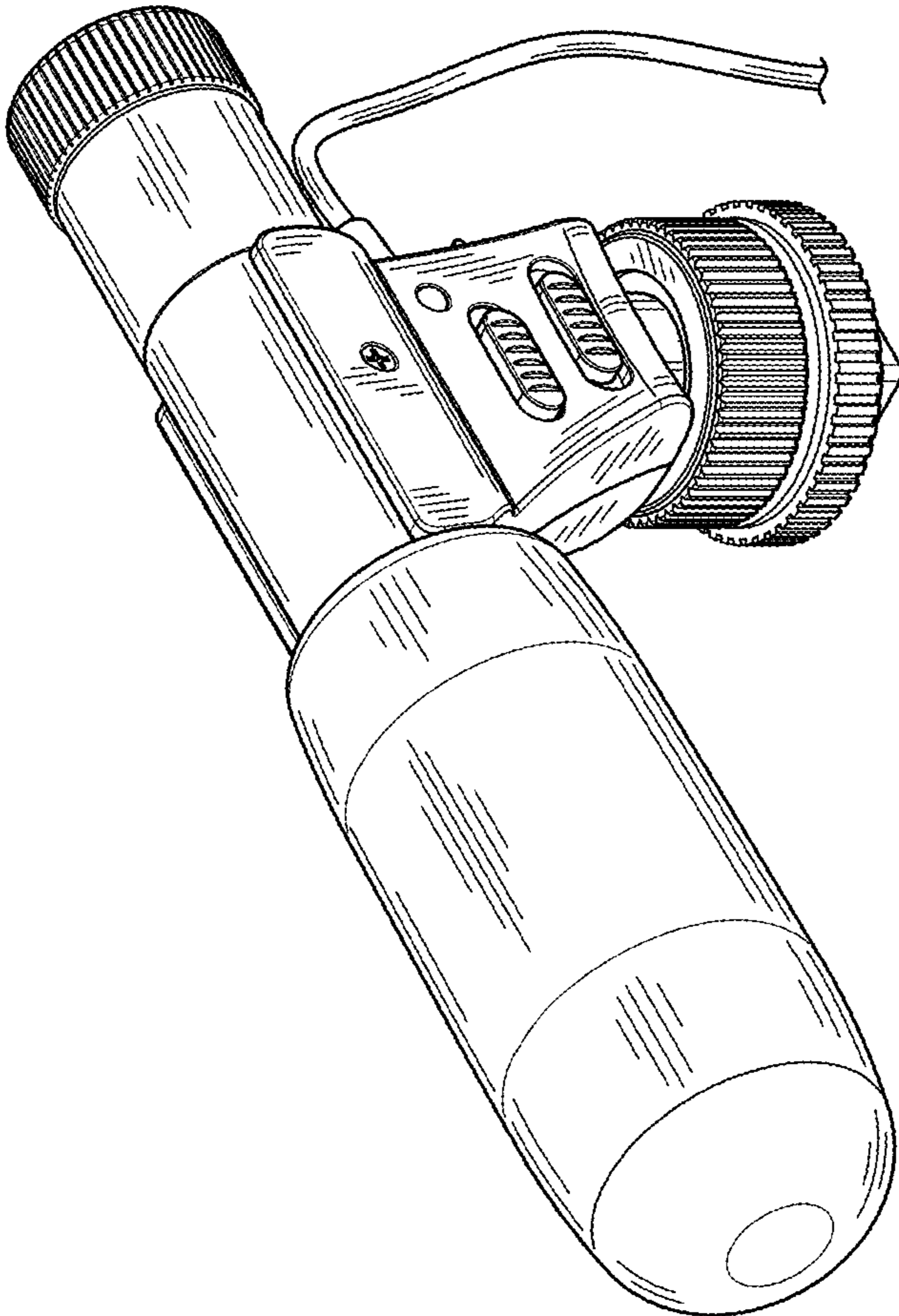


Fig.1

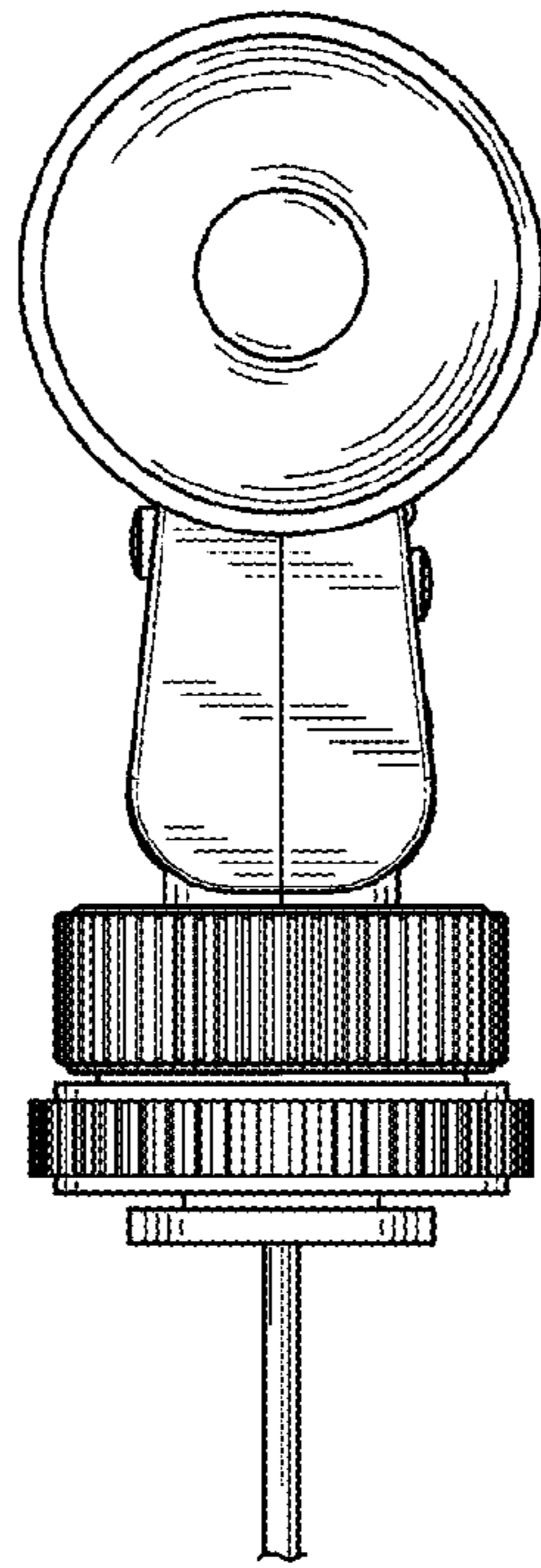


Fig.2

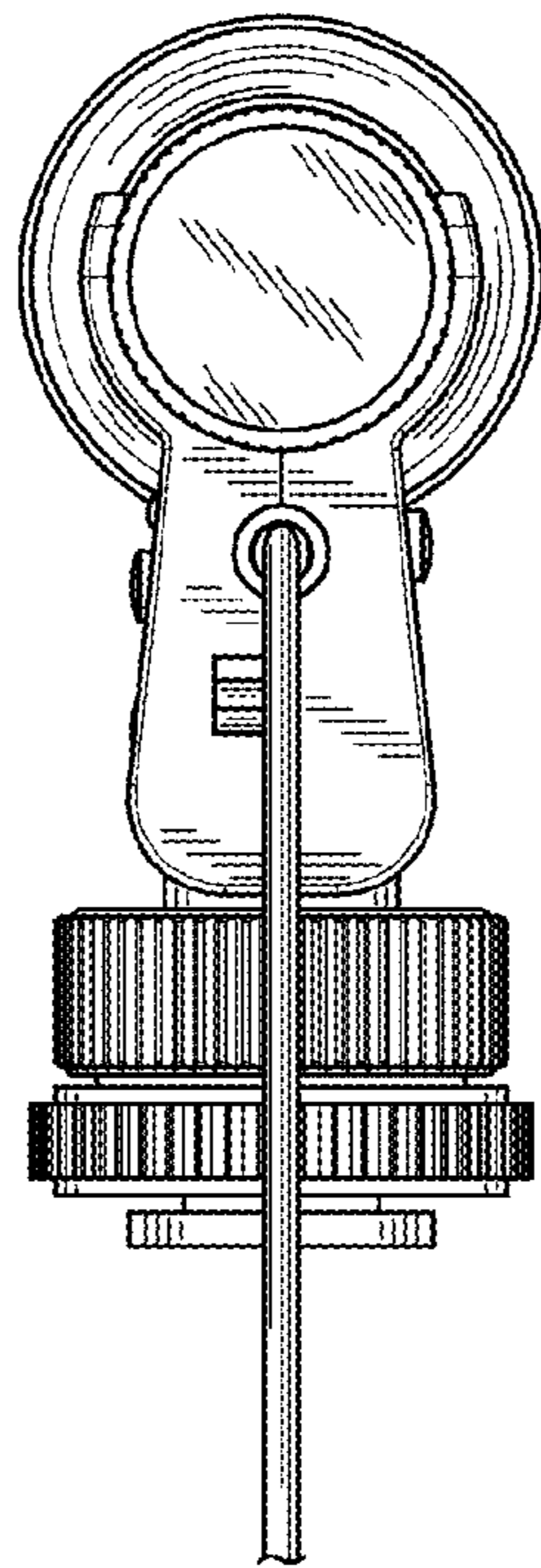


Fig.3

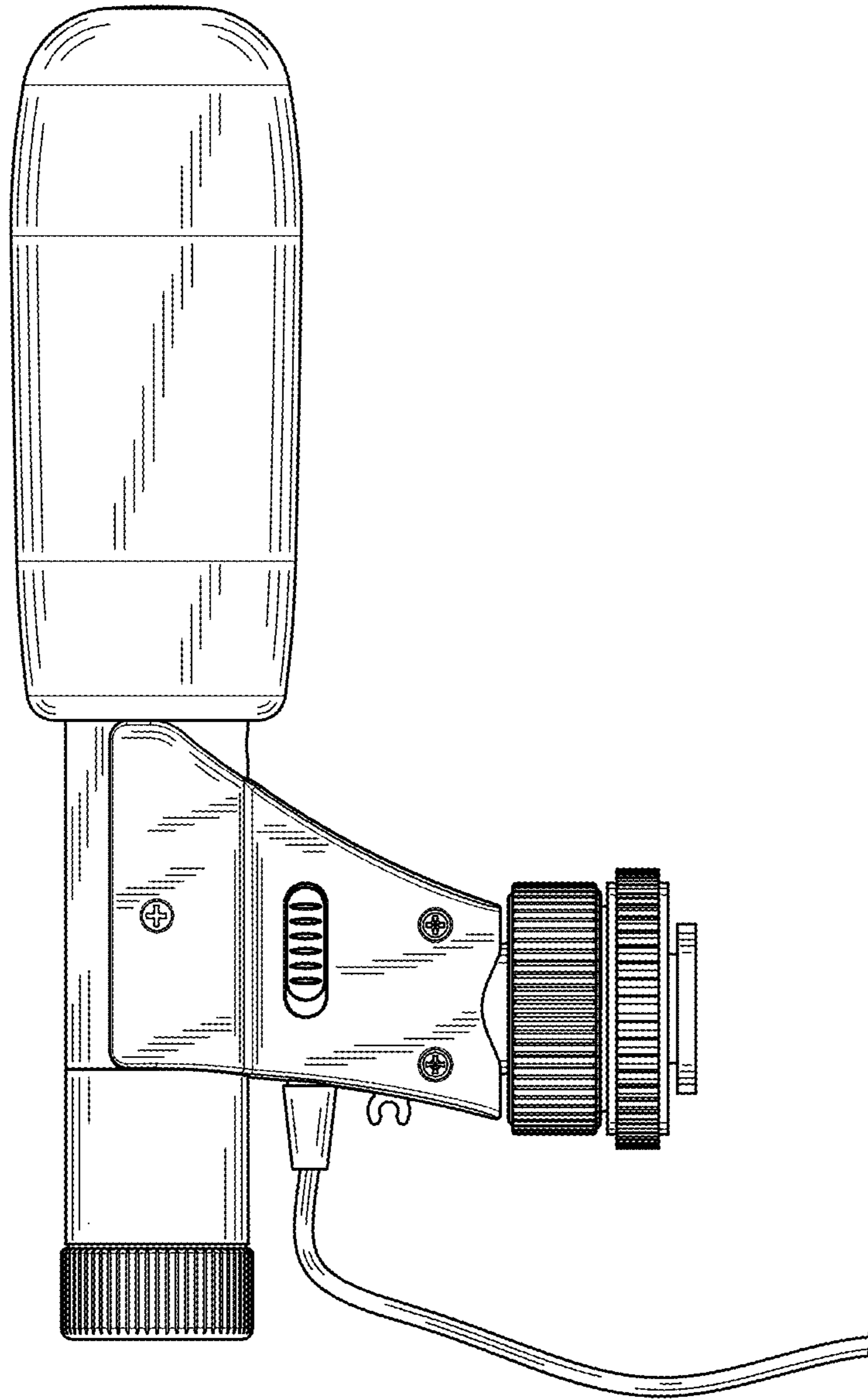


Fig.4

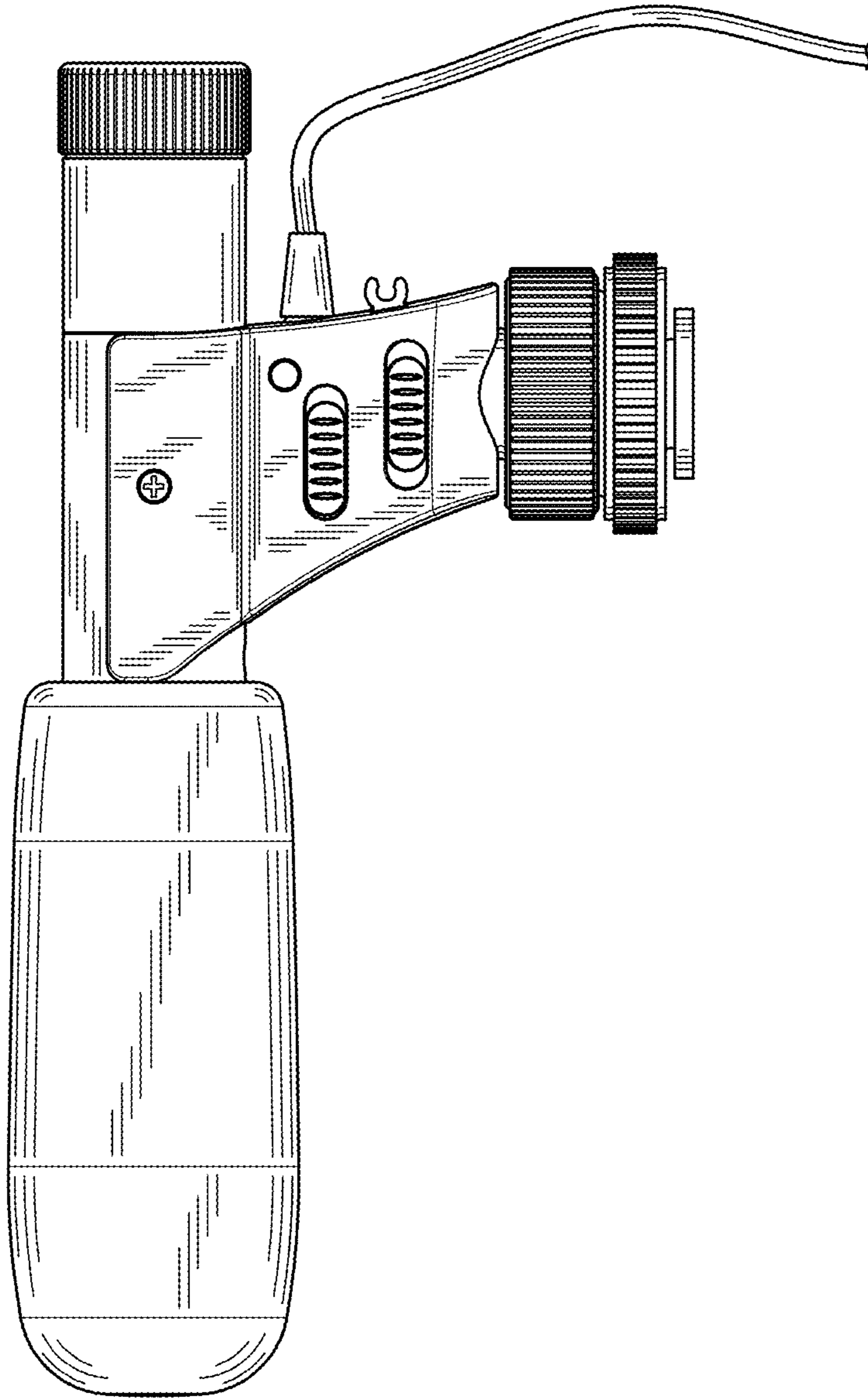


Fig. 5

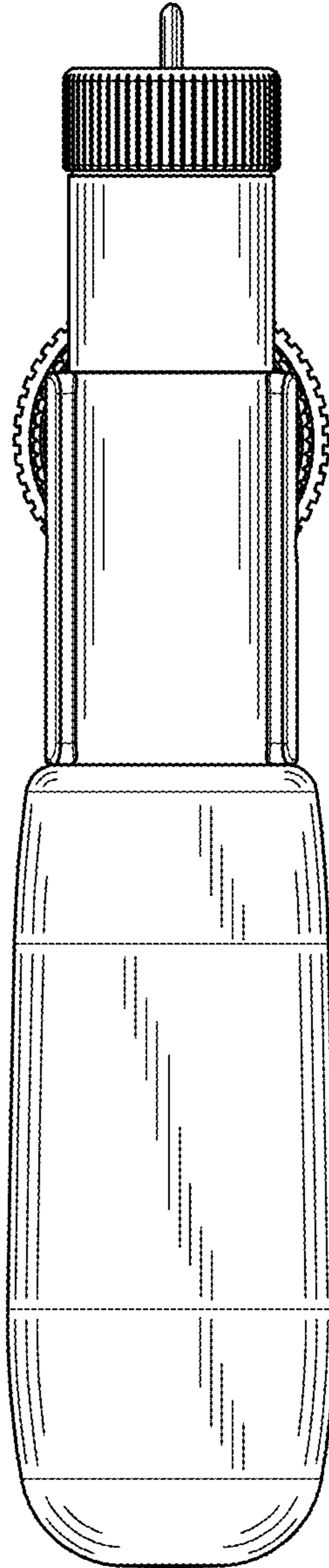


Fig.6

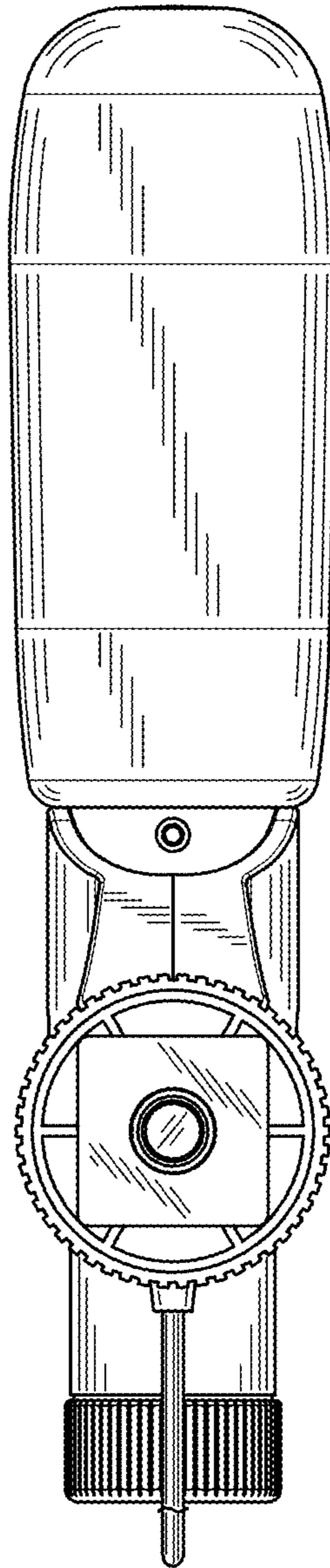


Fig.7