



US00D890727S

(12) **United States Design Patent**  
**Park et al.**

(10) **Patent No.:** **US D890,727 S**  
(45) **Date of Patent:** **\*\* Jul. 21, 2020**

(54) **WIRELESS EARBUD**

(71) Applicant: **LG Electronics Inc.**, Seoul (KR)

(72) Inventors: **Soonhyun Park**, Seoul (KR); **Chanwoo Park**, Seoul (KR); **Dongsoon Kim**, Seoul (KR); **Min Kim**, Seoul (KR)

(73) Assignee: **LG Electronics Inc.**, Seoul (KR)

(\*\*) Term: **15 Years**

(21) Appl. No.: **35/506,690**

(22) Filed: **Nov. 2, 2018**

(80) **Hague Agreement Data**

Int. Filing Date: **Nov. 2, 2018**

Int. Reg. No.: **DM/200164**

Int. Reg. Date: **Nov. 2, 2018**

Int. Reg. Pub. Date: **May 3, 2019**

(30) **Foreign Application Priority Data**

May 8, 2018 (KR) ..... 30-2018-0021319

(51) **LOC (12) Cl.** ..... **14-01**

(52) **U.S. Cl.**  
USPC ..... **D14/223**

(58) **Field of Classification Search**

USPC ..... D14/204, 205, 206, 223, 224, 225, 249,  
D14/433, 138 R, 188, 172, 203.1;  
D29/112; D24/174, 173, 106

CPC ..... H04R 25/02; H04R 25/02; H04R 1/10;  
H04R 1/10016; H04R 1/105; H04R  
1/1083; H04R 1/02; H04R 1/1041; H04R  
1/28; H04R 2420/07; H04R 2430/00;  
H04R 2430/01; H04R 5/033

See application file for complete search history.

(56) **References Cited**

**U.S. PATENT DOCUMENTS**

D666,581 S \* 9/2012 Perez ..... D14/223  
D710,335 S \* 8/2014 Yang ..... D14/223

D719,132 S \* 12/2014 Toelle ..... D14/205  
D777,710 S \* 1/2017 Palmborg ..... D14/223  
D780,157 S \* 2/2017 Uggla ..... D14/205  
D795,225 S \* 8/2017 Sumii ..... D14/223  
D809,487 S \* 2/2018 Lee ..... D14/223  
D813,205 S \* 3/2018 Palmborg ..... D14/223  
D825,534 S \* 8/2018 Kim ..... D14/223  
D851,626 S \* 6/2019 Hsieh ..... D14/205  
D862,422 S \* 10/2019 Lindenberger ..... D14/223  
D863,261 S \* 10/2019 Zhu ..... D14/223  
D867,326 S \* 11/2019 Sweet ..... D14/205  
D870,710 S \* 12/2019 Cai ..... D14/223

(Continued)

**FOREIGN PATENT DOCUMENTS**

CN 304103957 \* 4/2017  
CN 304437817 \* 1/2018

*Primary Examiner* — Jeffrey D Asch

*Assistant Examiner* — Tracey J Bell

(74) *Attorney, Agent, or Firm* — Birch, Stewart, Kolasch  
& Birch, LLP

(57) **CLAIM**

The ornamental design for a wireless earbud, as shown and described.

**DESCRIPTION**

1. Wireless earbud

**1.1** : Perspective

**1.2** : Front

**1.3** : Back

**1.4** : Left

**1.5** : Right

**1.6** : Top

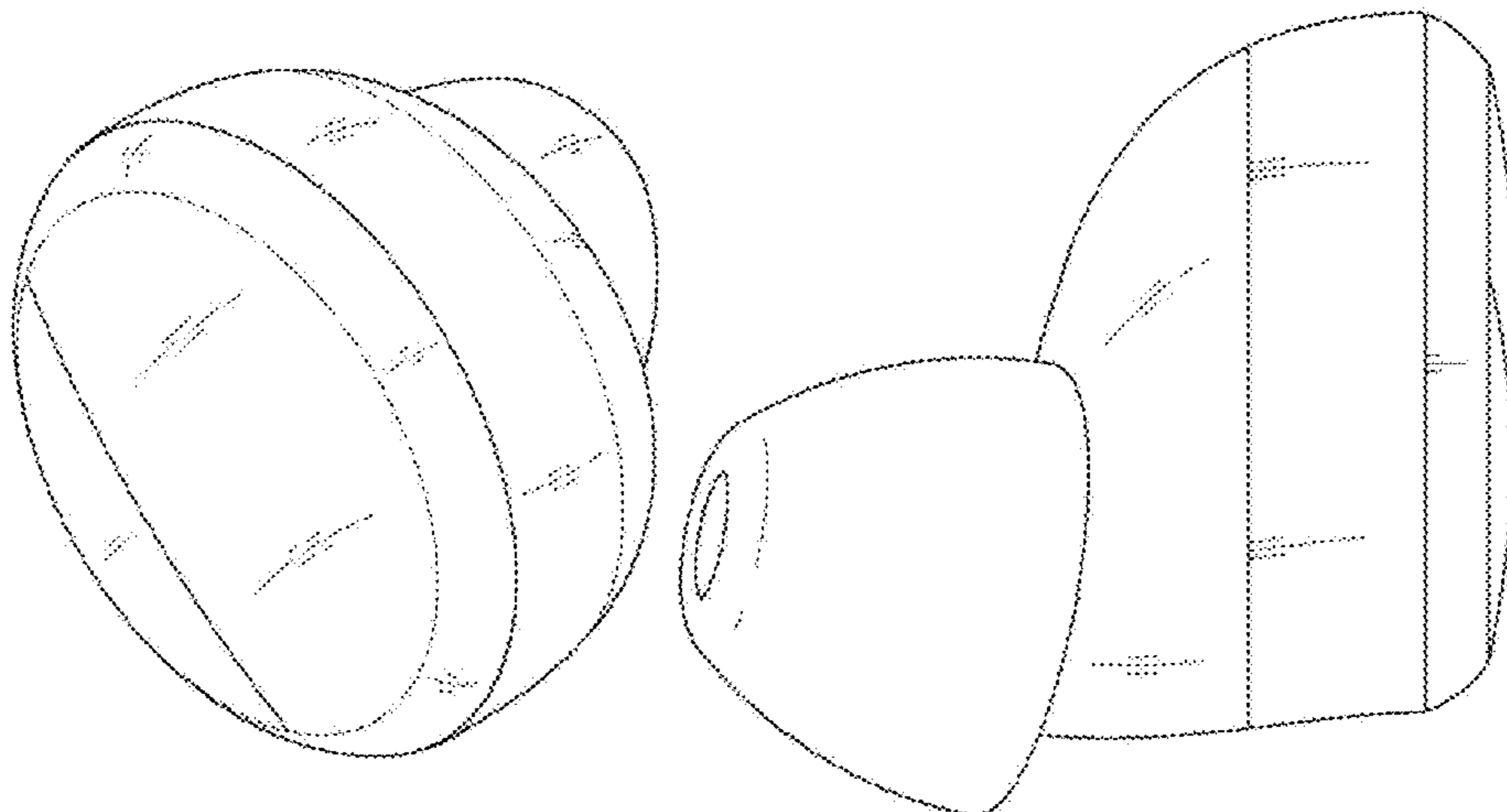
**1.7** : Bottom

**1.8** : Perspective

**1.9** : Perspective

The broken lines depict portions of wireless earbud and additional environment in **1.8** and **1.9** that form no part of the claimed design.

**1 Claim, 9 Drawing Sheets**



(56)

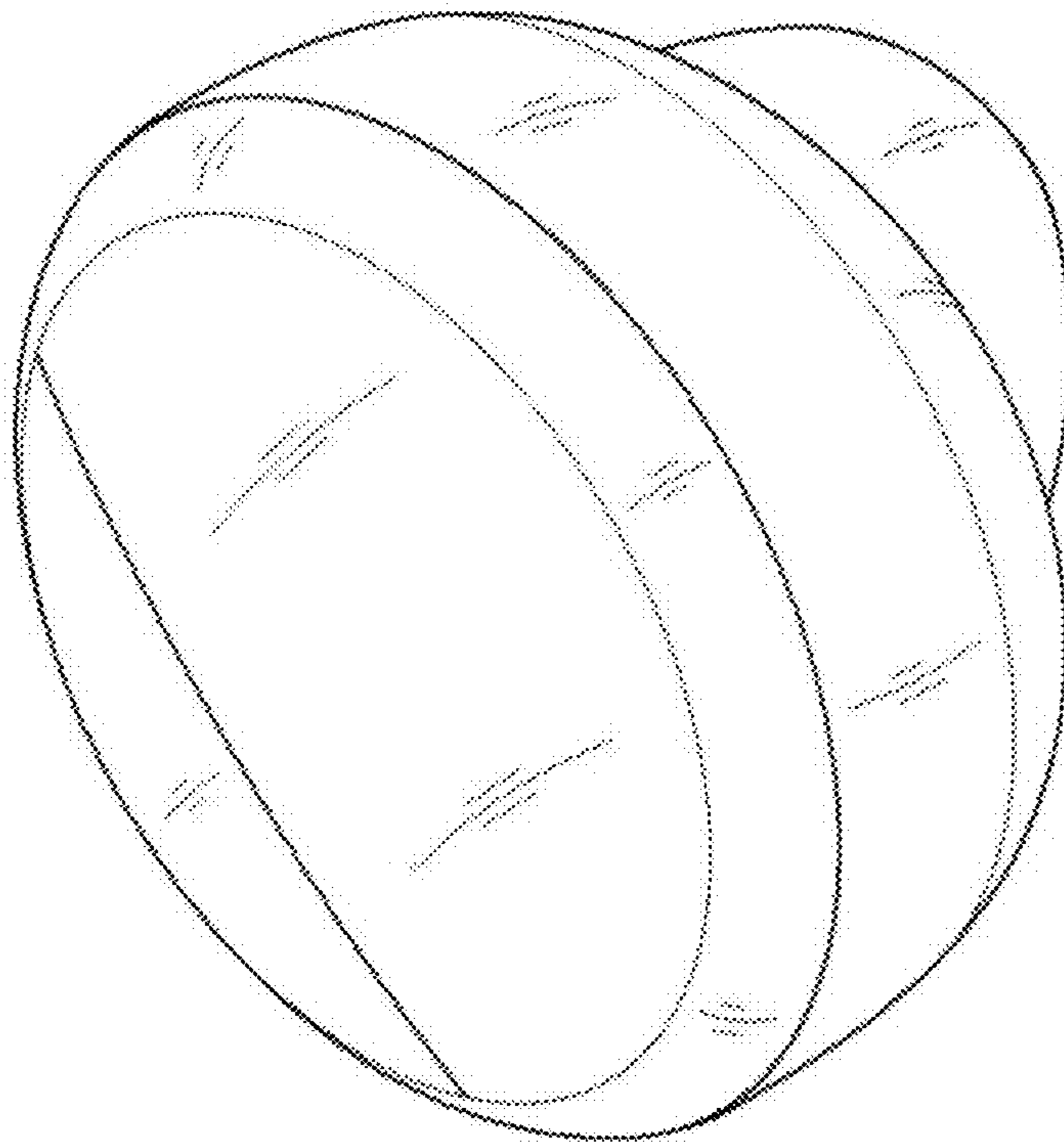
**References Cited**

U.S. PATENT DOCUMENTS

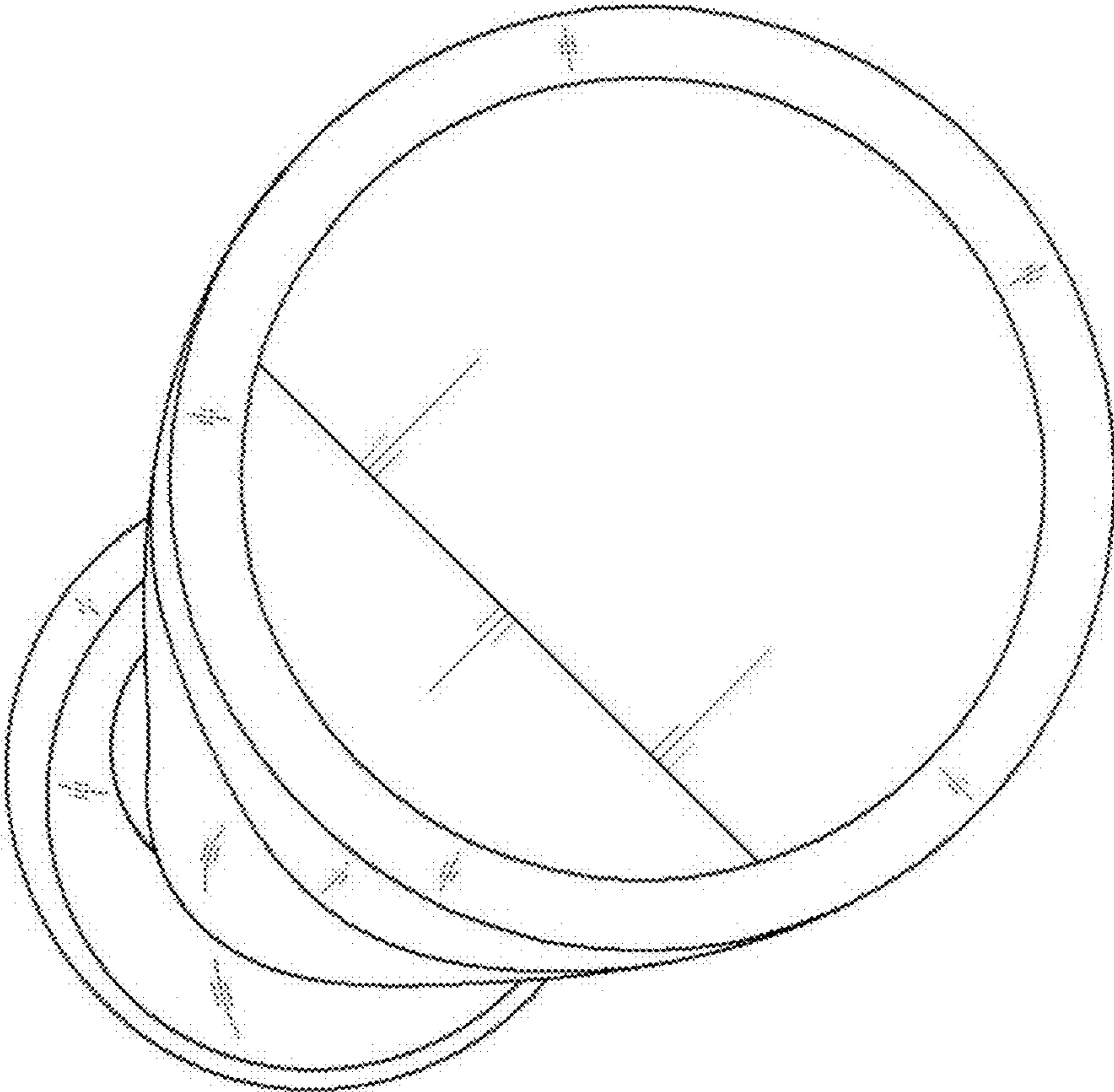
D872,064 S \* 1/2020 Cai ..... D14/223  
D872,065 S \* 1/2020 Cai ..... D14/223  
D873,248 S \* 1/2020 Weicheng ..... D14/223  
2014/0205125 A1\* 7/2014 Triato ..... H04R 1/105  
381/330  
2019/0014403 A1\* 1/2019 Lee ..... H04R 1/1025

\* cited by examiner

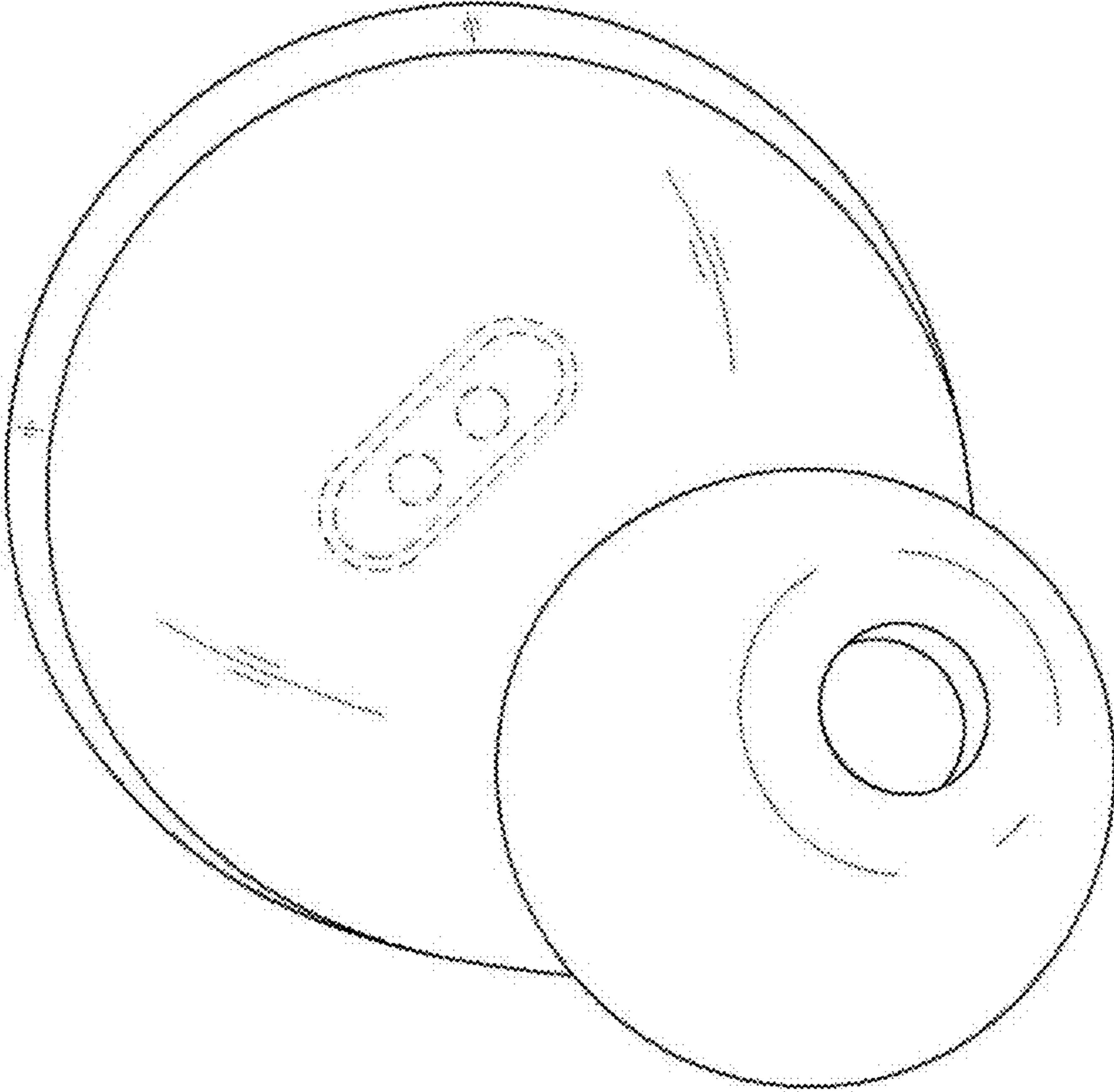
**1.1**



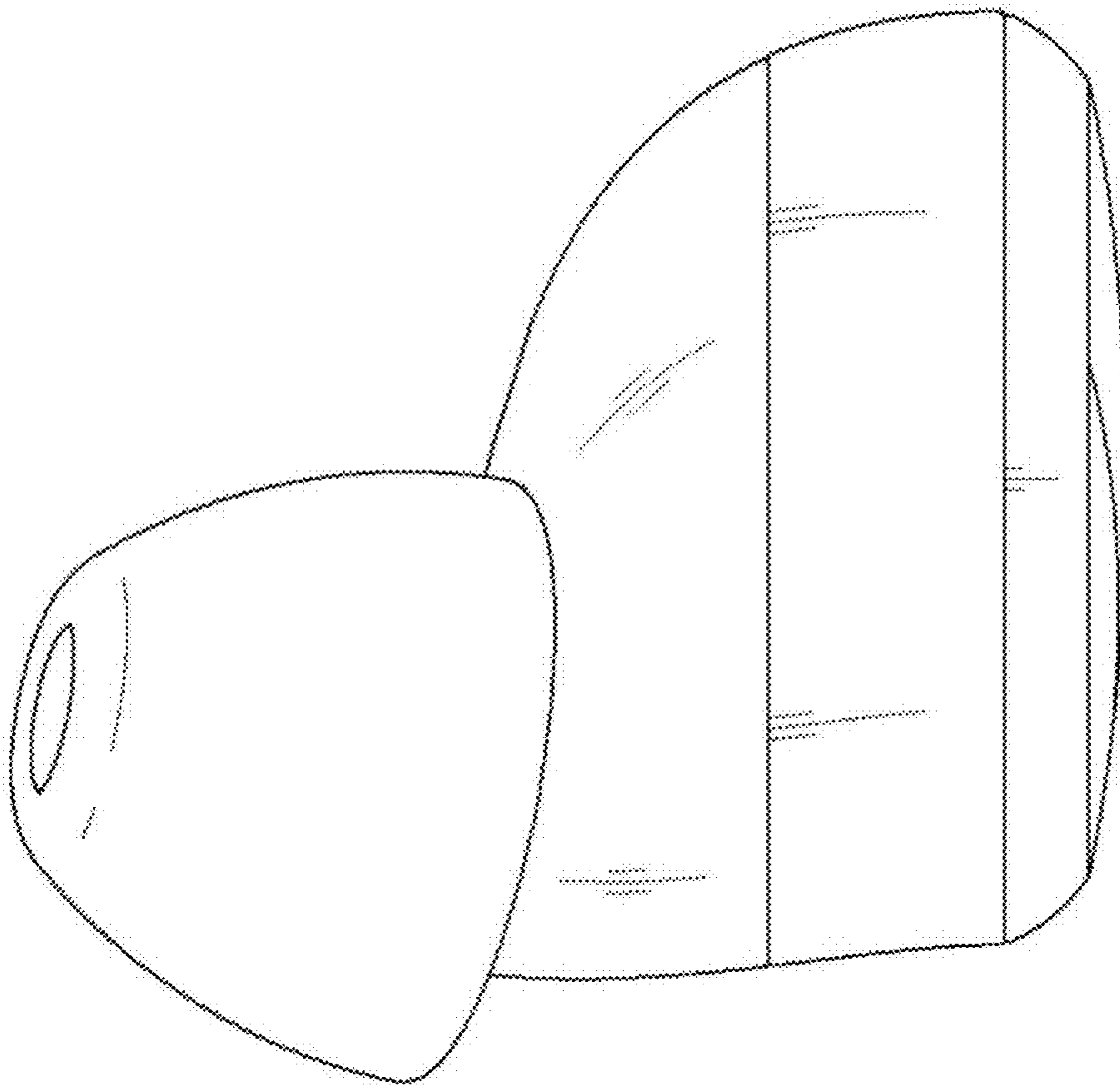
1.2



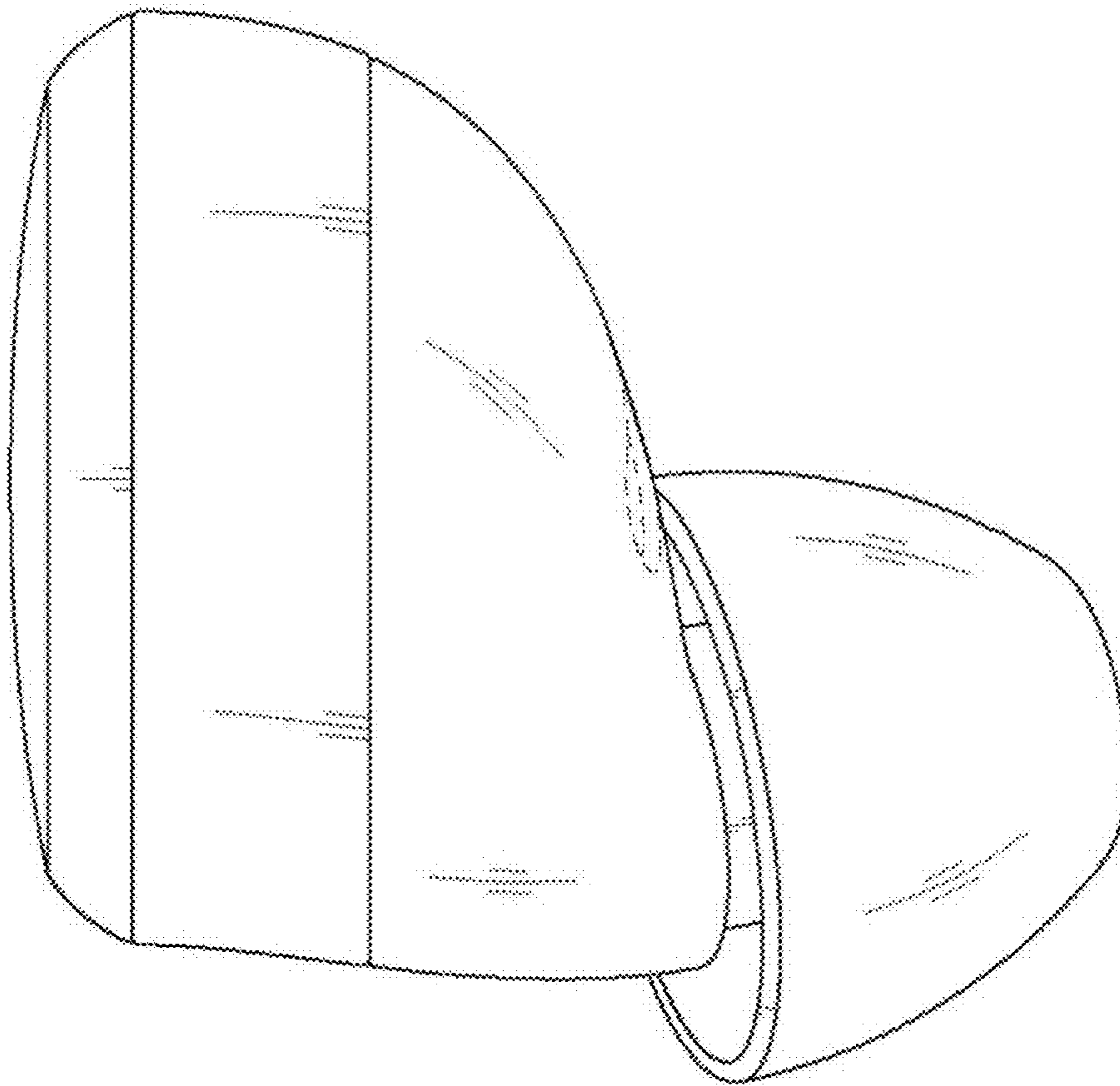
1.3



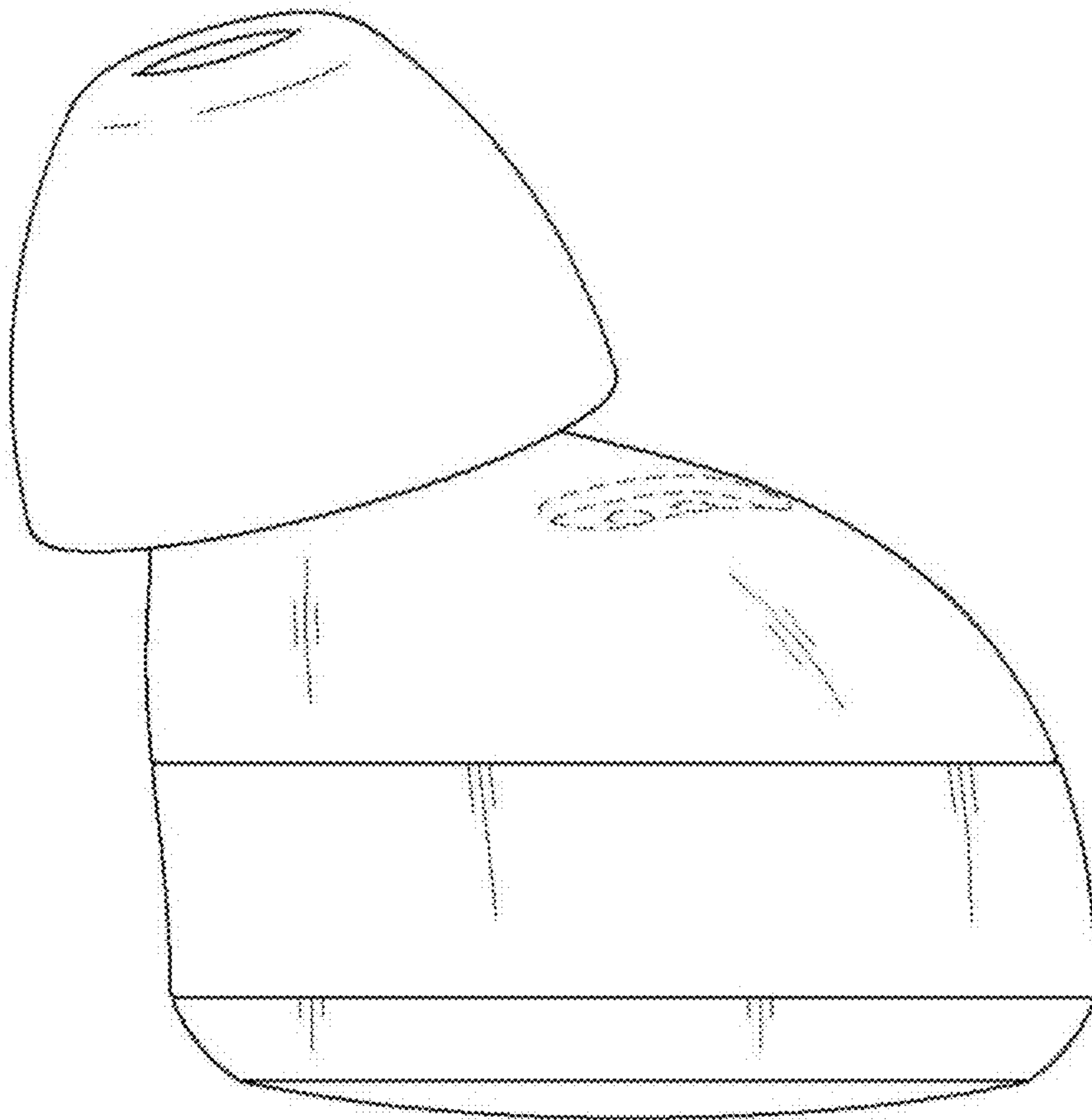
1.4



1.5

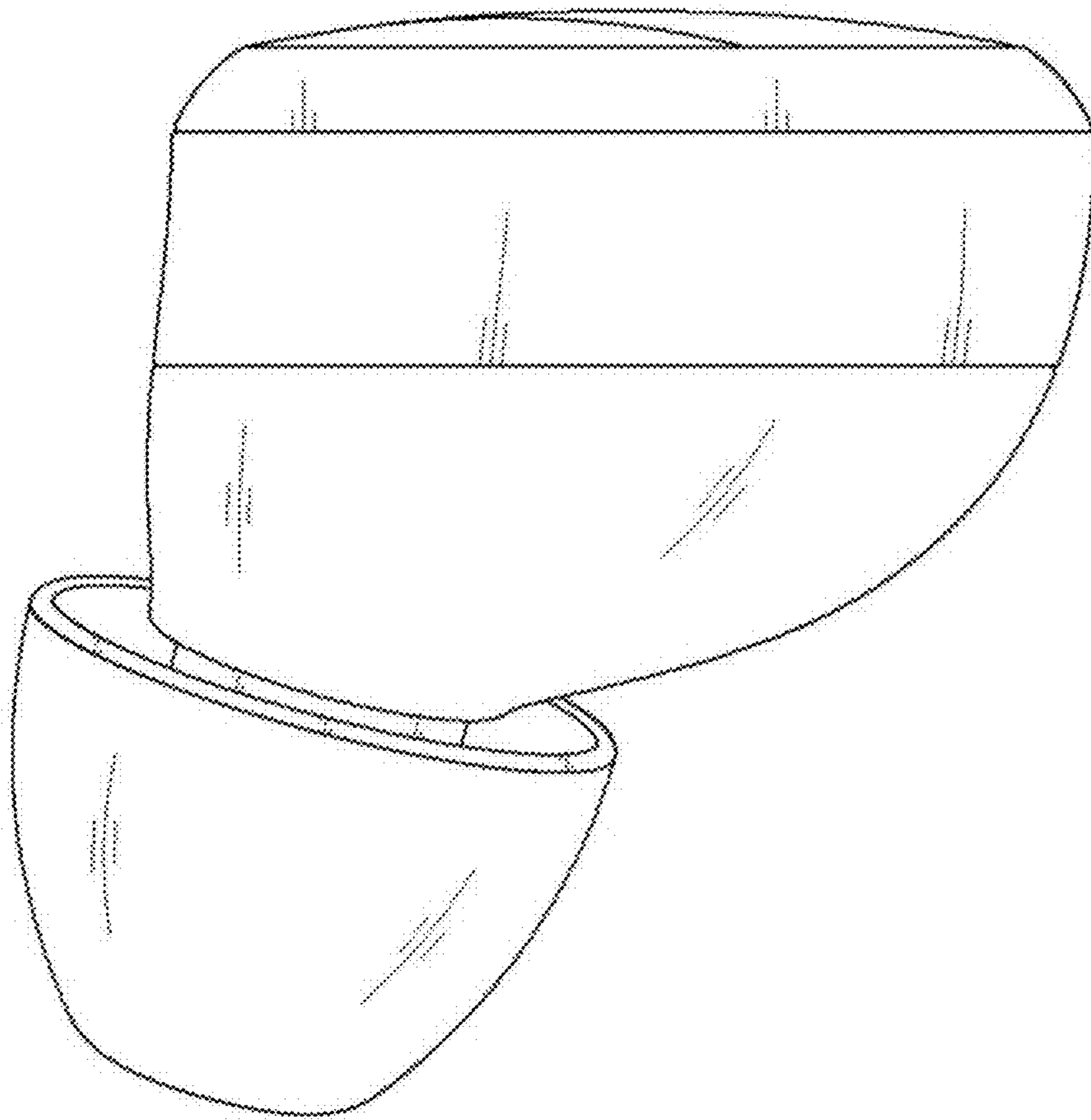


1.6

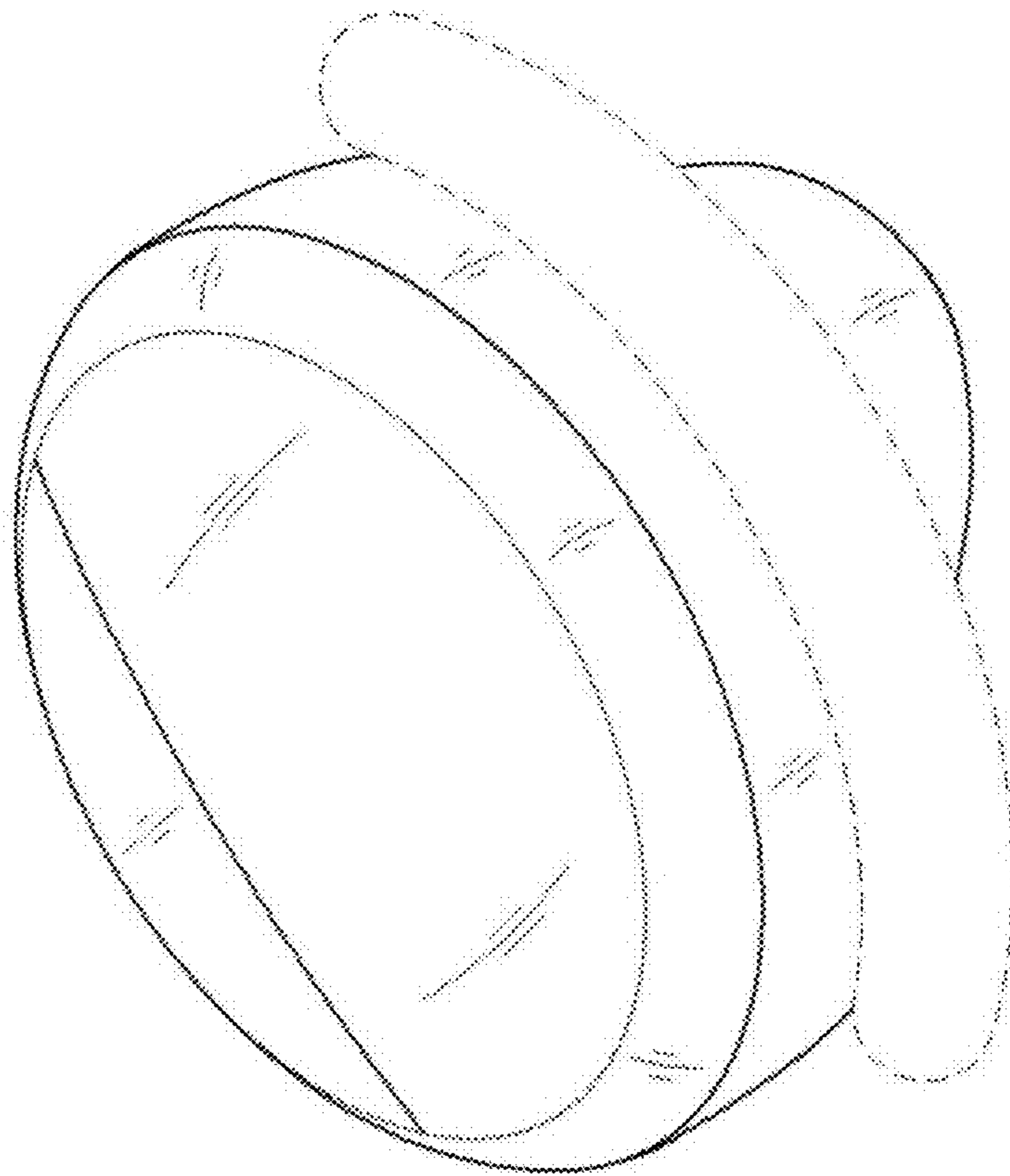




1.7



1.8



1.9

