



US00D890726S

(12) **United States Design Patent** (10) **Patent No.:** **US D890,726 S**
Park et al. (45) **Date of Patent:** **** Jul. 21, 2020**

(54) **WIRELESS EARBUD**

(71) Applicant: **LG Electronics Inc.**, Seoul (KR)

(72) Inventors: **Soonhyun Park**, Seoul (KR); **Chanwoo Park**, Seoul (KR); **Dongsoon Kim**, Seoul (KR); **Min Kim**, Seoul (KR)

(73) Assignee: **LG Electronics Inc.**, Seoul (KR)

(**) Term: **15 Years**

(21) Appl. No.: **35/506,686**

(22) Filed: **Nov. 2, 2018**

(80) **Hague Agreement Data**

Int. Filing Date: **Nov. 2, 2018**

Int. Reg. No.: **DM/200155**

Int. Reg. Date: **Nov. 2, 2018**

Int. Reg. Pub. Date: **May 3, 2019**

(30) **Foreign Application Priority Data**

May 8, 2018 (KR) 30-2018-0021320

(51) **LOC (12) Cl.** **14-01**

(52) **U.S. Cl.**
USPC **D14/223**

(58) **Field of Classification Search**

USPC D14/204, 205, 206, 223, 224, 225, 249,
D14/433, 138 R, 188, 172, 203.1;
D29/112; D24/174, 173, 106
CPC H04R 25/02; H04R 25/02; H04R 1/10;
H04R 1/10016; H04R 1/105; H04R
1/1083; H04R 1/02; H04R 1/1041; H04R
1/28; H04R 2420/07; H04R 2430/00;
H04R 2430/01; H04R 5/033
See application file for complete search history.

(56) **References Cited**

U.S. PATENT DOCUMENTS

D470,129	S	*	2/2003	Hlas	D14/205
D543,968	S	*	6/2007	Wong	D14/205
D593,075	S	*	5/2009	Williams	D14/223
D601,126	S	*	9/2009	Christopher	D14/206
D639,787	S	*	6/2011	Quek	D14/223
D695,275	S	*	12/2013	Chee	D14/223
D713,385	S	*	9/2014	Burgett	D14/223
D733,101	S	*	6/2015	Pi	D14/223
D809,486	S	*	2/2018	Arimoto	D14/223
D809,487	S	*	2/2018	Lee	D14/223
D825,534	S	*	8/2018	Kim	D14/223
D875,710	S	*	2/2020	Bailey	D14/205
2009/0285434	A1	*	11/2009	Williams	H04R 1/1091 381/375

FOREIGN PATENT DOCUMENTS

KR 300939677.0000 * 7/2018

* cited by examiner

Primary Examiner — Jeffrey D Asch

Assistant Examiner — Tracey J Bell

(74) *Attorney, Agent, or Firm* — Birch, Stewart, Kolasch & Birch, LLP

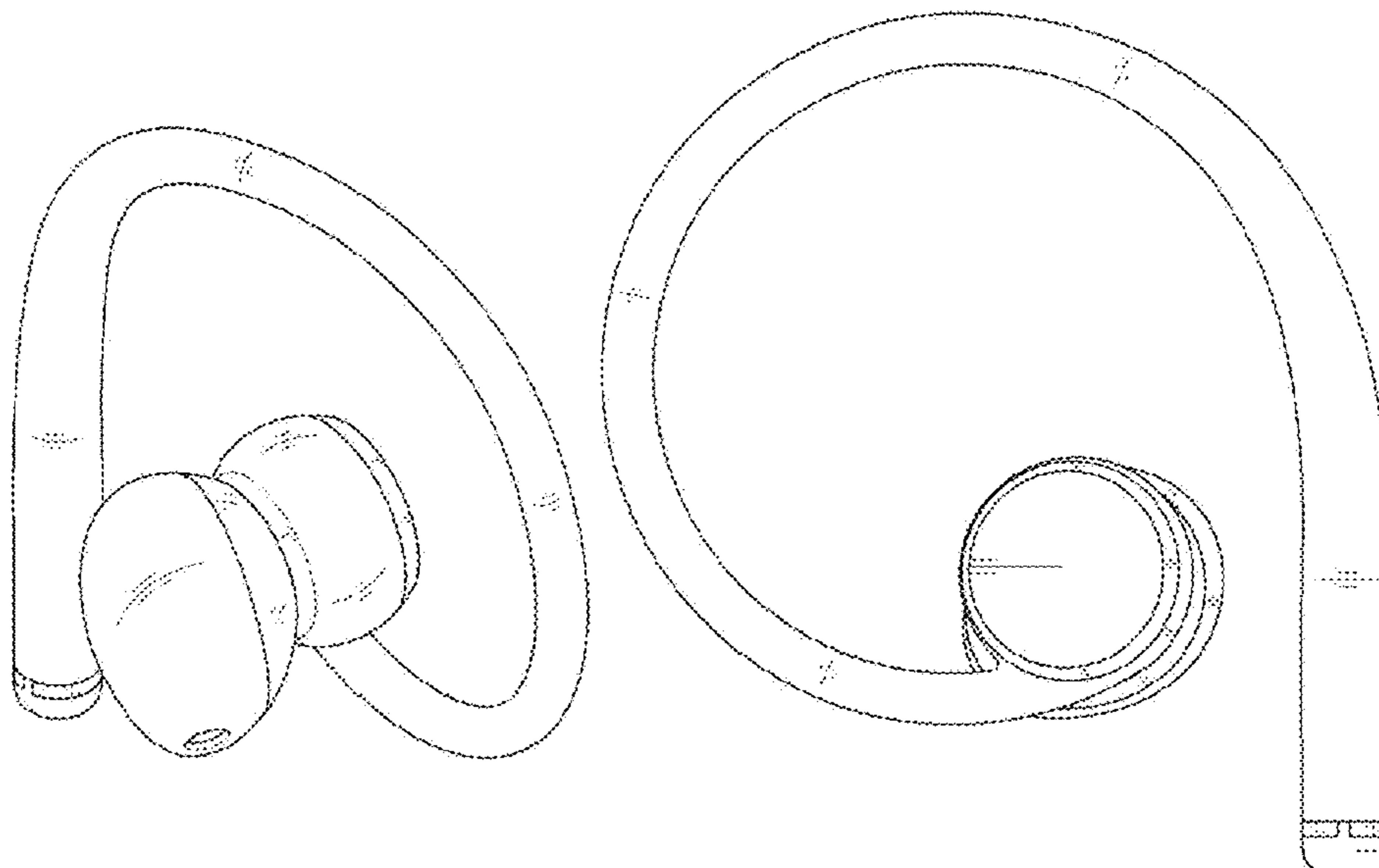
(57) **CLAIM**

The ornamental design for a wireless earbud, as shown and described.

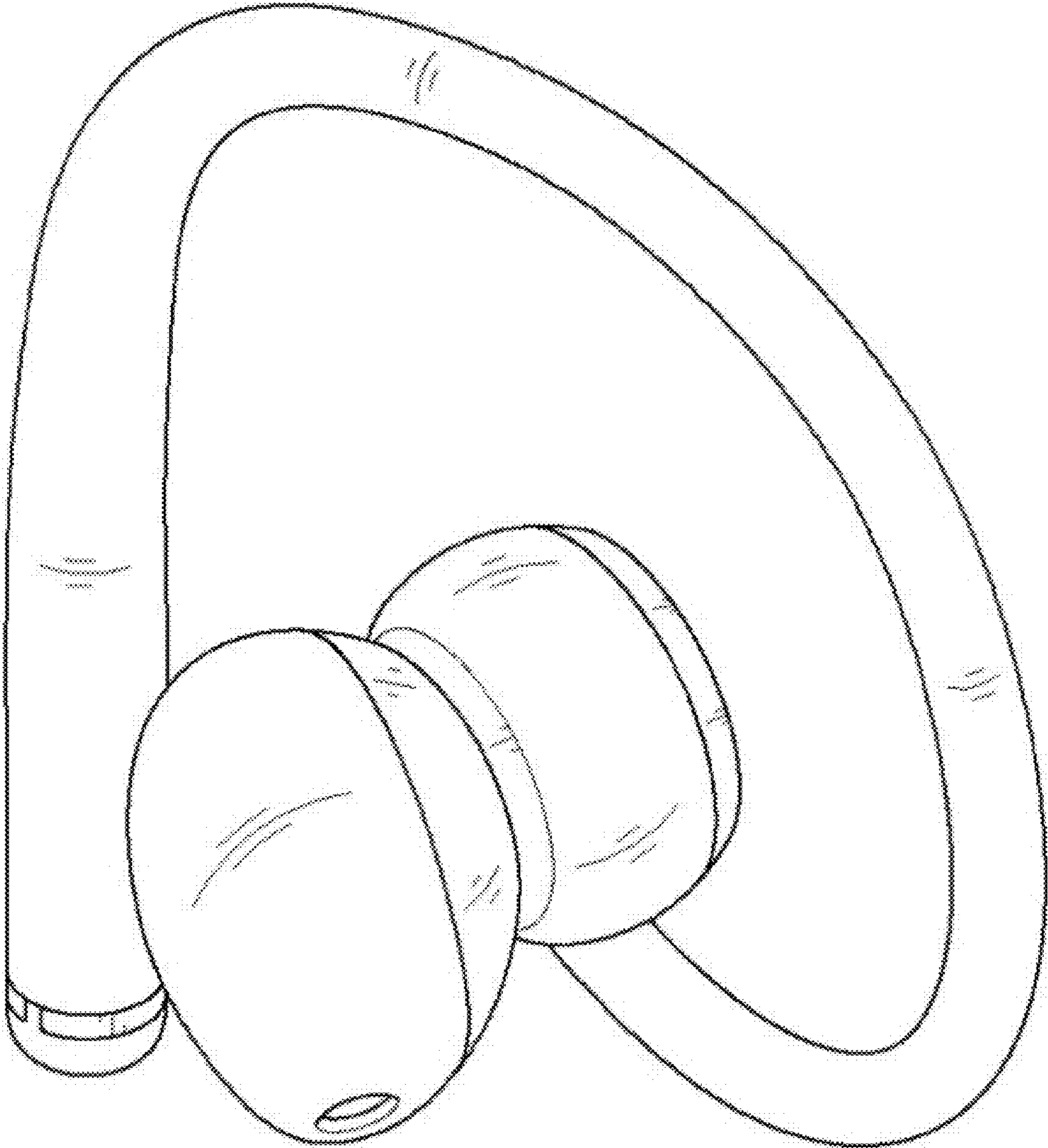
DESCRIPTION

- 1. Wireless earbud
- 1.1 : Perspective
- 1.2 : Front
- 1.3 : Back
- 1.4 : Left
- 1.5 : Right
- 1.6 : Top
- 1.7 : Bottom

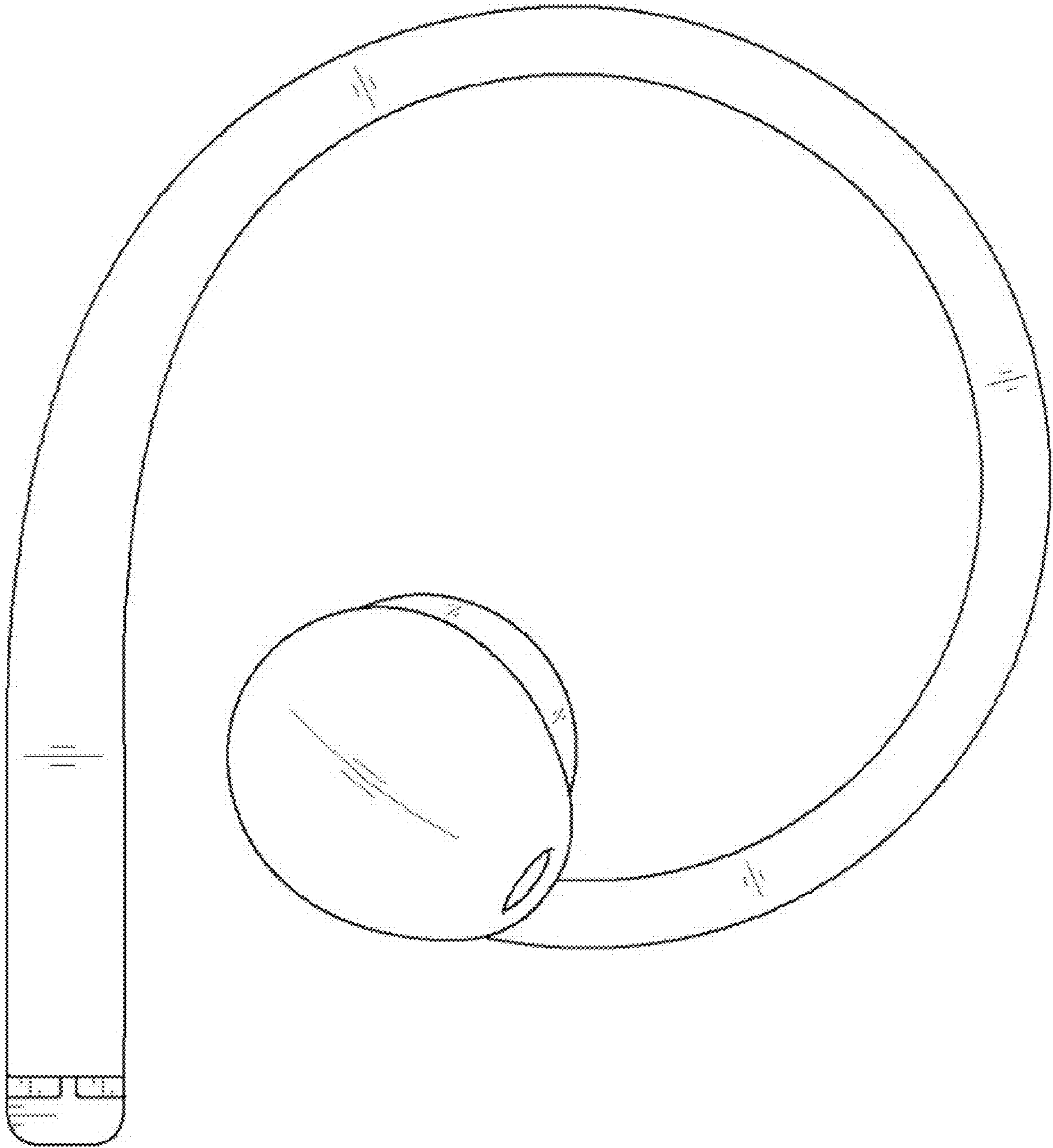
1 Claim, 7 Drawing Sheets



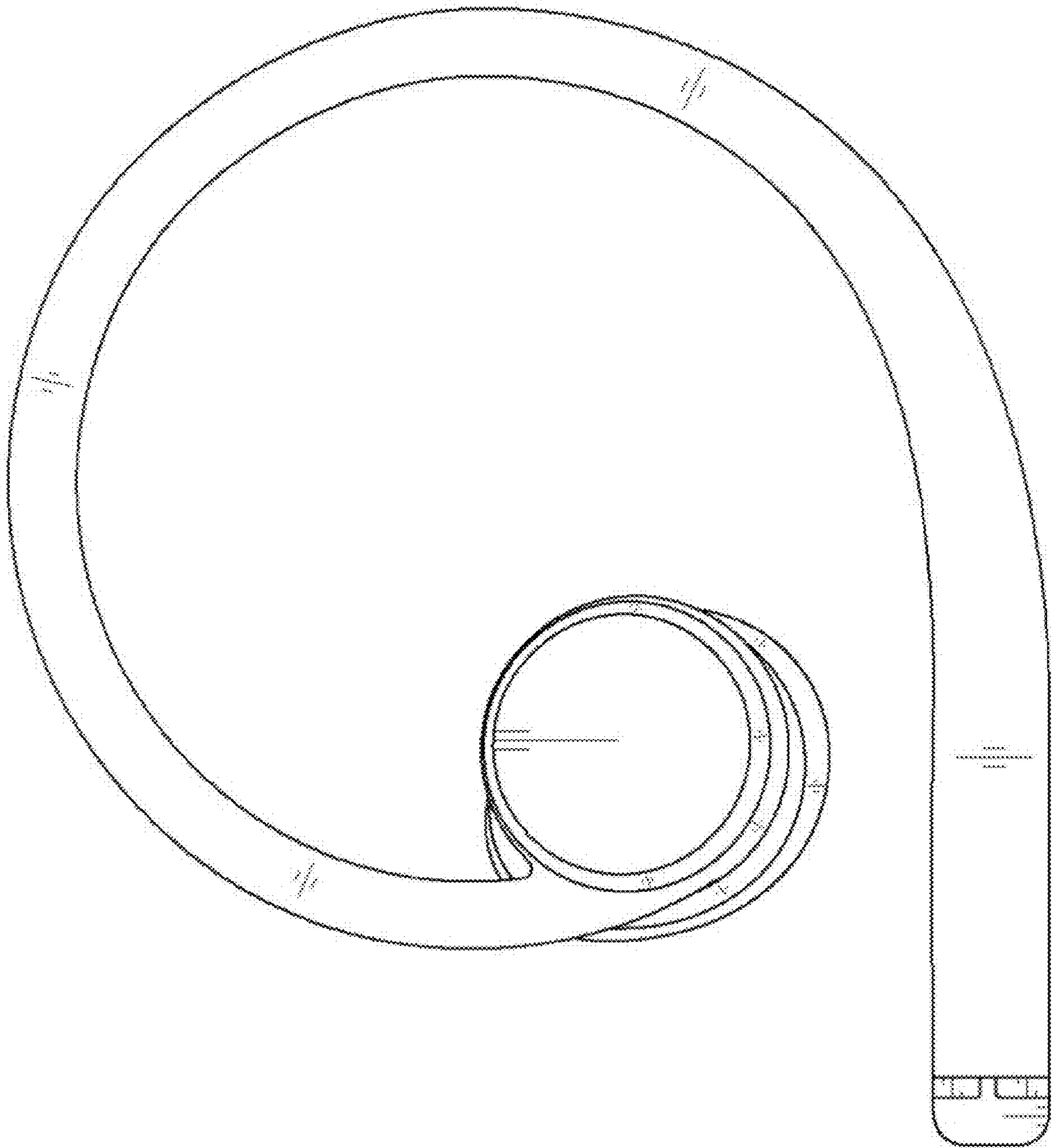
1.1



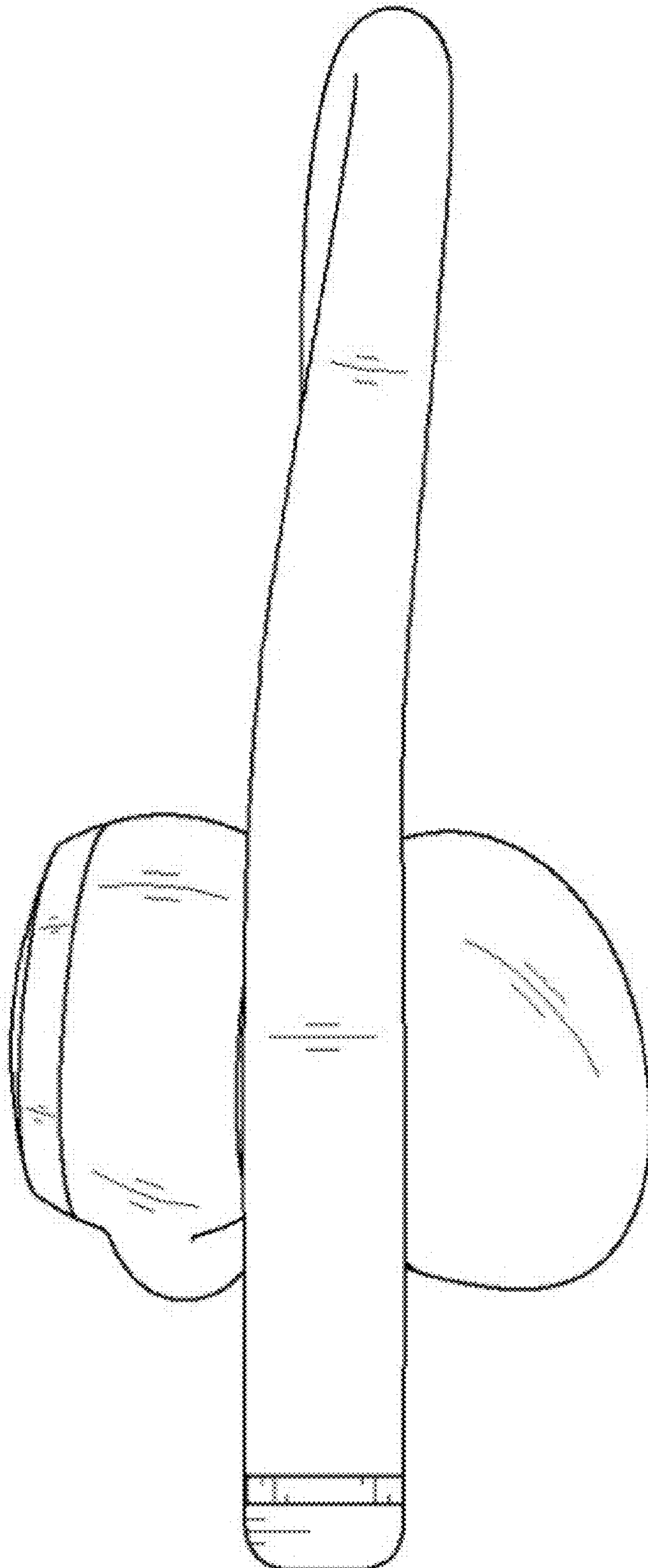
1.2



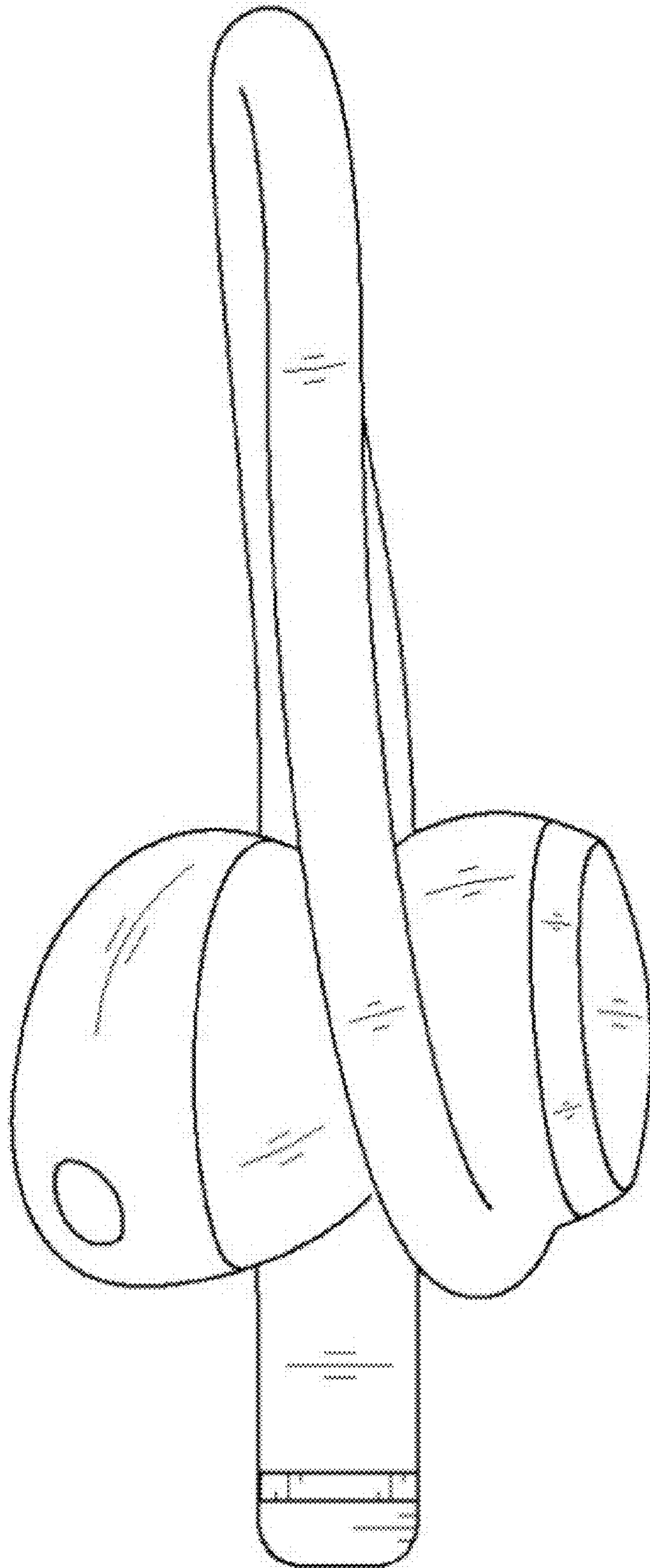
1.3



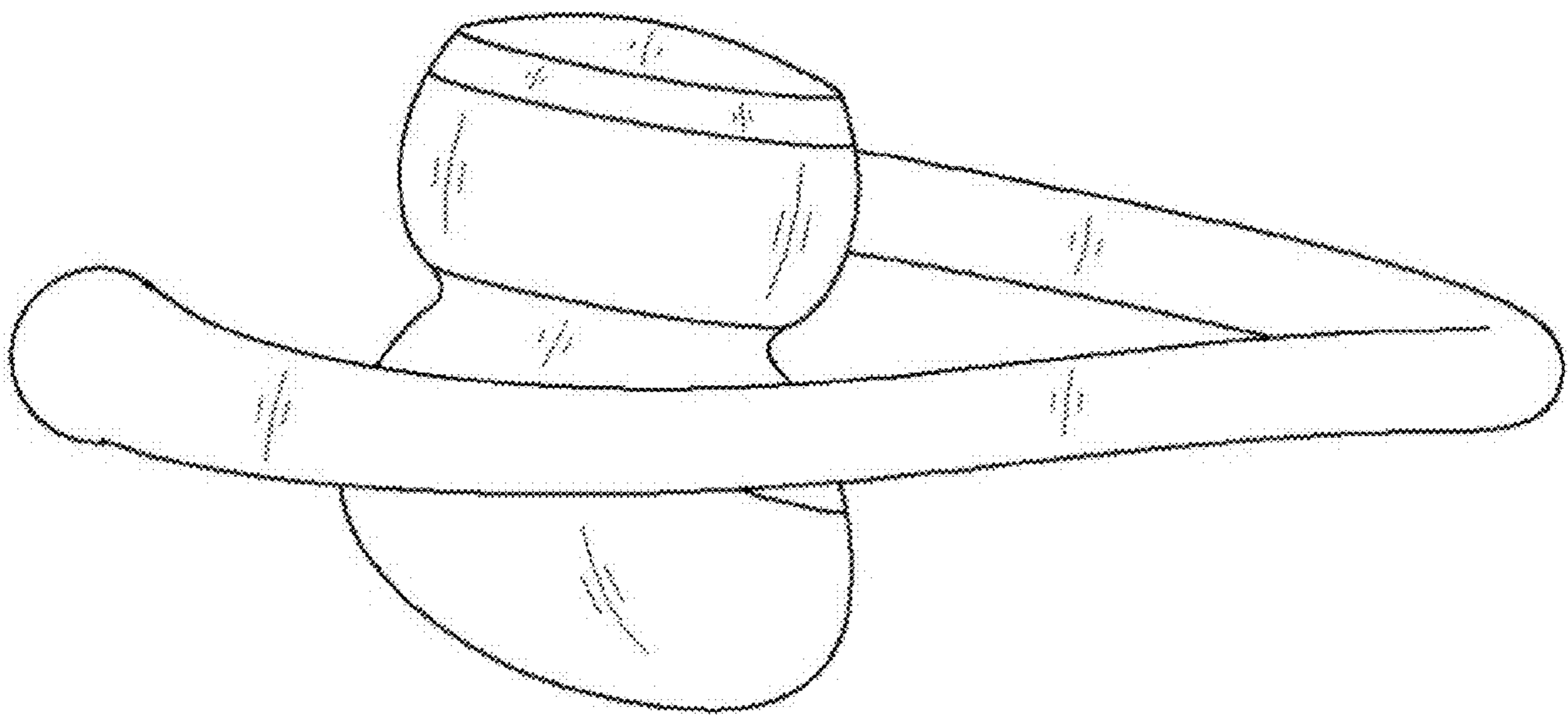
1.4



1.5



1.6



1.7

