

US00D890724S

(12) **United States Design Patent**
Li

(10) **Patent No.:** **US D890,724 S**

(45) **Date of Patent:** **** Jul. 21, 2020**

(54) **EARPHONE**

(71) Applicant: **STB INTERNATIONAL LIMITED,**
KL (HK)

(72) Inventor: **Junfeng Li, Shenzhen (CN)**

(**) Term: **15 Years**

(21) Appl. No.: **29/725,209**

(22) Filed: **Feb. 24, 2020**

(30) **Foreign Application Priority Data**

Nov. 22, 2019 (CN) 2019 3 0646454

(51) **LOC (12) Cl.** **14-01**

(52) **U.S. Cl.**
USPC **D14/223; D14/205**

(58) **Field of Classification Search**
USPC D14/223, 205; 181/130, 135; 381/328,
381/382, 380; D13/108; D3/274, 294,
D3/203.6, 218, 225
CPC H04R 1/10; H04R 25/00; H04R 25/02;
H04R 1/105; H04R 1/1016; H04R
1/1066; H04R 1/20; H04R 1/1091; H02J
7/00

See application file for complete search history.

(56) **References Cited**

U.S. PATENT DOCUMENTS

- 4,646,872 A * 3/1987 Kamon H04R 1/225
181/129
- 4,972,492 A * 11/1990 Tanaka H04R 1/1016
181/130
- 4,981,194 A * 1/1991 Kamon H04R 1/22
181/129
- 5,742,697 A * 4/1998 Ching-Chung H04R 1/083
381/355
- 6,574,345 B1 * 6/2003 Huang H04R 1/1016
379/430
- D554,109 S * 10/2007 Ledbetter D14/223

- D555,152 S * 11/2007 Wang D14/223
- D573,977 S * 7/2008 Ledbetter D14/205
- D573,978 S * 7/2008 Ledbetter D14/205
- D595,273 S * 6/2009 Kim D14/223
- D604,718 S * 11/2009 Paterson D14/206
- D627,765 S * 11/2010 Zheng D14/223
- D645,849 S * 9/2011 Kim D14/223
- D671,531 S * 11/2012 Kim D14/223
- D673,531 S * 1/2013 Lee D14/223
- D674,376 S * 1/2013 Kelly D14/223
- D679,267 S * 4/2013 Lee D14/223
- D689,043 S * 9/2013 Burt D14/223
- D691,594 S * 10/2013 Akana D14/223
- D695,724 S * 12/2013 Ishikura D14/223
- D697,050 S * 1/2014 Thompson D14/206

(Continued)

FOREIGN PATENT DOCUMENTS

- CN 305356154 * 9/2019
- CN 305498502 * 12/2019
- CN 305625487 * 2/2020

Primary Examiner — Paula Allen Greene

(74) *Attorney, Agent, or Firm* — ZANIP

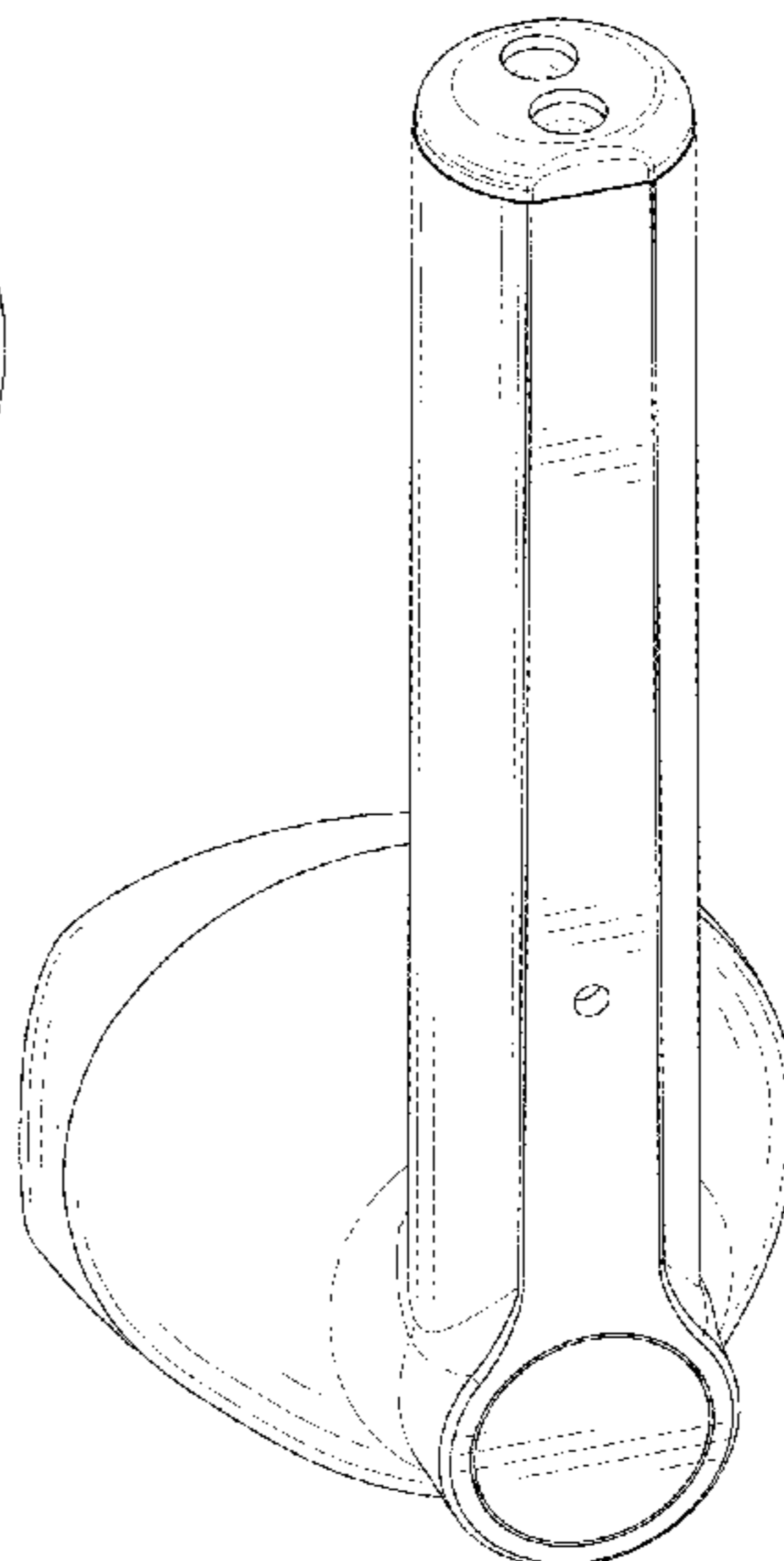
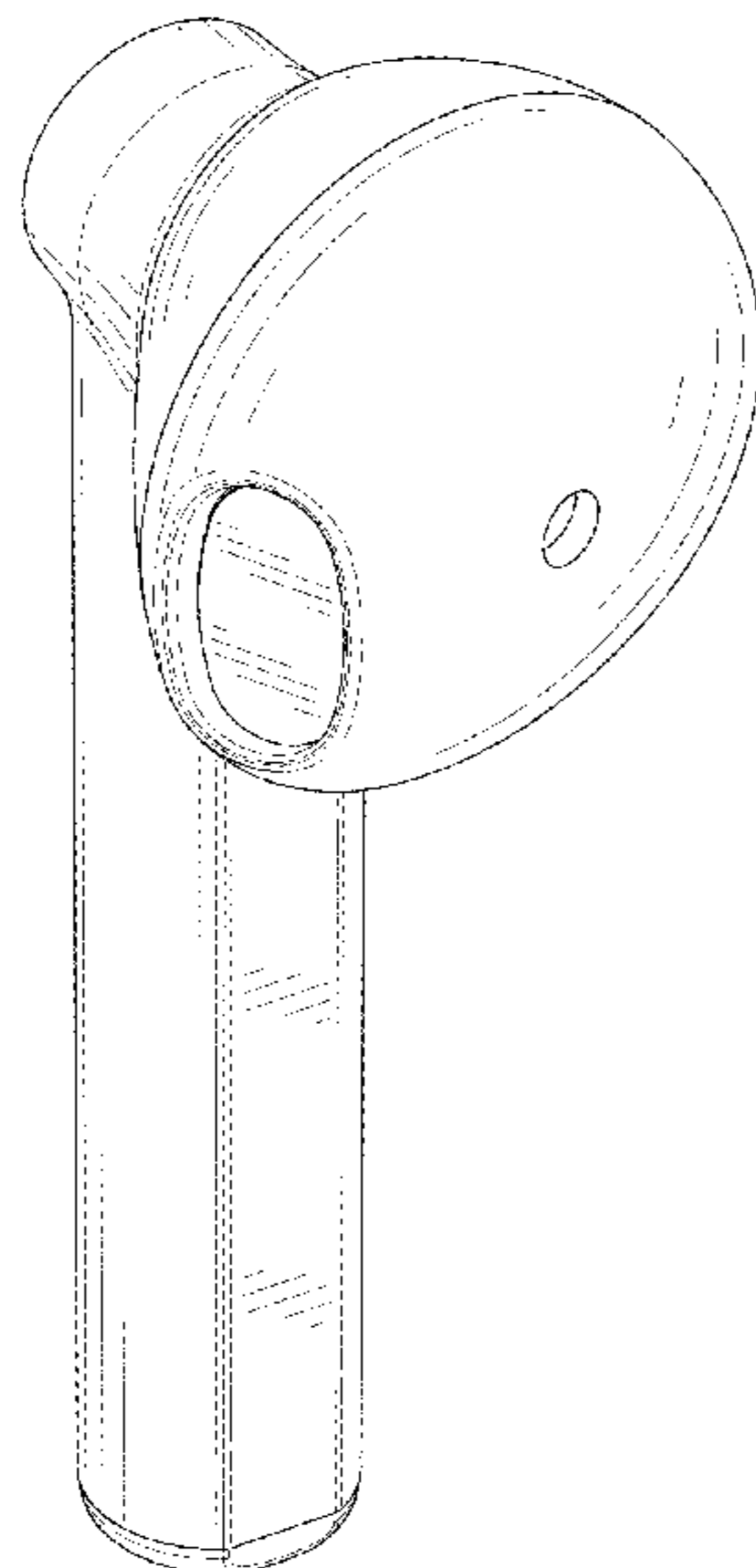
(57) **CLAIM**

The ornamental design for an earphone, as shown and described.

DESCRIPTION

FIG. 1 is a front and top perspective view of an earphone, showing my new design;
 FIG. 2 is a rear and bottom perspective view thereof;
 FIG. 3 is a front elevational view thereof;
 FIG. 4 is a rear elevational view thereof;
 FIG. 5 is a left side elevational view thereof;
 FIG. 6 is a right side elevational view thereof;
 FIG. 7 is a top plan view thereof; and,
 FIG. 8 is a bottom plan view thereof.
 The broken lines in the figures illustrate portions of the earphone that form no part of the claimed design.

1 Claim, 8 Drawing Sheets



(56)

References Cited

U.S. PATENT DOCUMENTS

D707,205 S * 6/2014 Wenger H04R 25/00
 D14/223
 9,042,583 B2 * 5/2015 Buyens H04R 25/50
 381/312
 D733,101 S * 6/2015 Pi D14/223
 D742,859 S * 11/2015 Miyake D14/223
 D746,268 S * 12/2015 Karayiannis D14/223
 D757,682 S * 5/2016 Perez D14/205
 D762,616 S * 8/2016 Hsieh D14/205
 D770,412 S * 11/2016 Son D14/205
 D775,463 S * 1/2017 Shieh D3/215
 D801,314 S * 10/2017 Akana D14/223
 D803,184 S * 11/2017 Loh Jun Kern D14/205
 D804,806 S * 12/2017 Stueckemann D3/203.2
 D806,388 S * 1/2018 Akana D3/294
 D818,268 S * 5/2018 Akana D3/294
 D820,810 S * 6/2018 Levine D14/205
 D829,193 S * 9/2018 Cai D14/223
 D830,345 S * 10/2018 Cai D14/223
 D847,794 S * 5/2019 Guo D14/223
 D847,795 S 5/2019 Kim et al.

D848,980 S * 5/2019 Kim D14/223
 D848,982 S * 5/2019 Kim D14/223
 D848,983 S * 5/2019 Kim D14/223
 D861,647 S * 10/2019 Chen D14/223
 D864,169 S * 10/2019 Min D14/223
 D869,445 S * 12/2019 Hu D14/223
 D872,711 S * 1/2020 Hu D14/223
 D877,722 S * 3/2020 Yang D14/223
 D878,045 S * 3/2020 Akana D3/274
 D878,337 S * 3/2020 Yang D14/223
 D881,572 S * 4/2020 Wang D3/294
 2011/0103637 A1 * 5/2011 Yuen H04R 1/1041
 381/380
 2012/0237074 A1 * 9/2012 Aase H04R 1/1075
 381/380
 2012/0275635 A1 * 11/2012 Chen H04R 1/1075
 381/380
 2013/0343585 A1 * 12/2013 Bennett H04R 25/554
 381/315
 2015/0382100 A1 * 12/2015 Azmi H04R 1/2811
 381/380
 2017/0026738 A1 * 1/2017 Tang H04R 1/1091
 2017/0164087 A1 * 6/2017 Kurtz H04R 1/1066

* cited by examiner

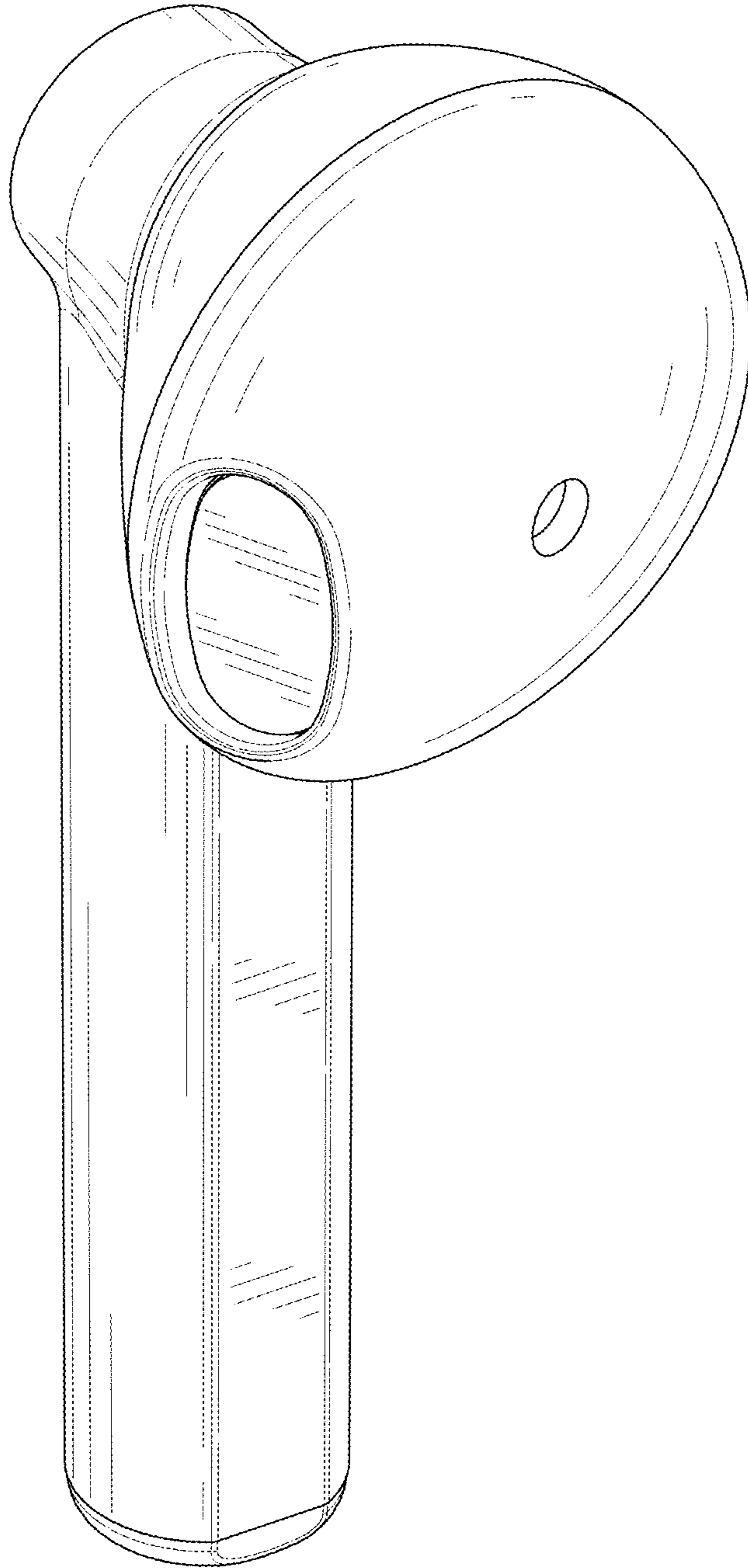


FIG. 1

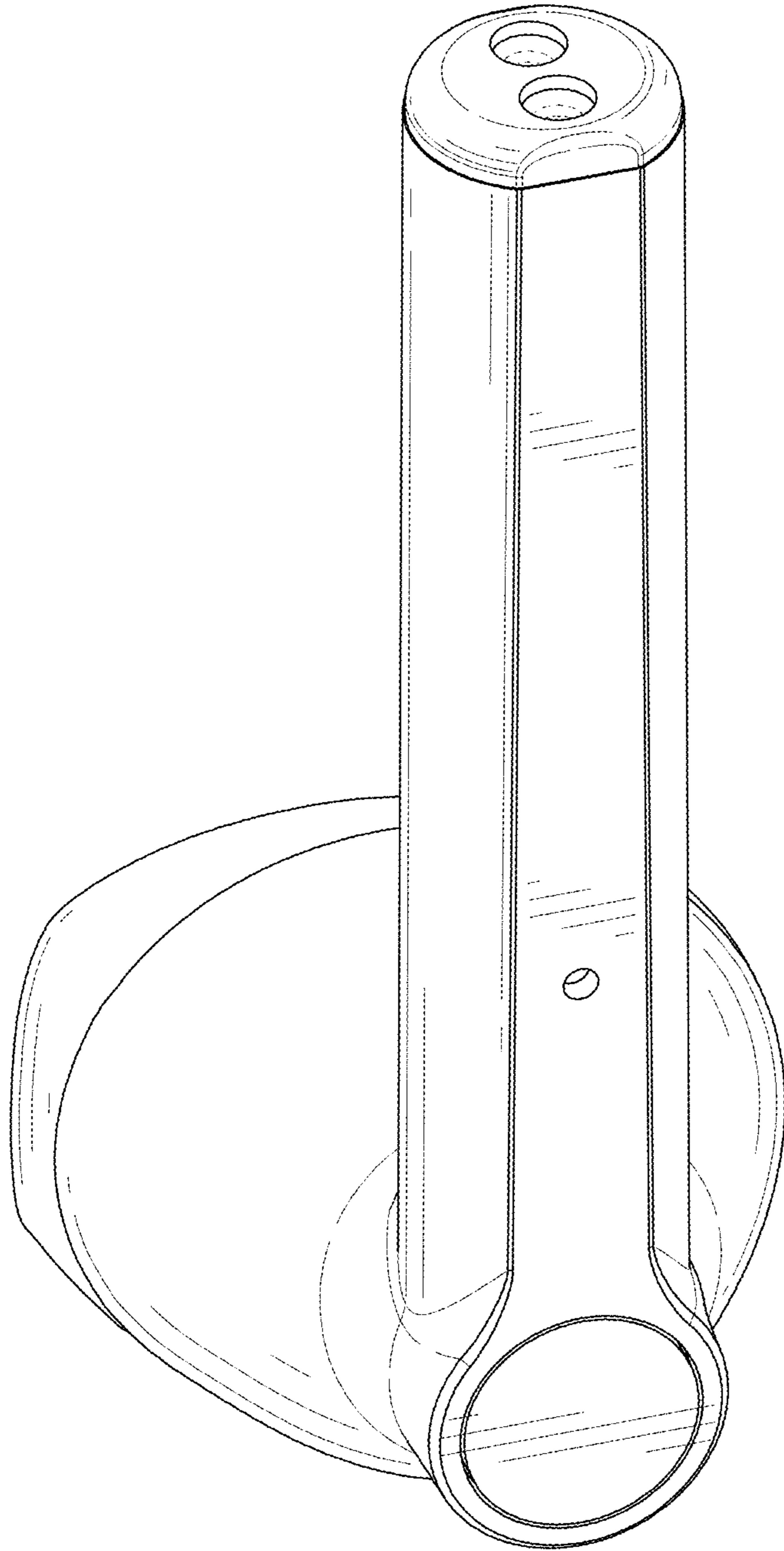


FIG. 2

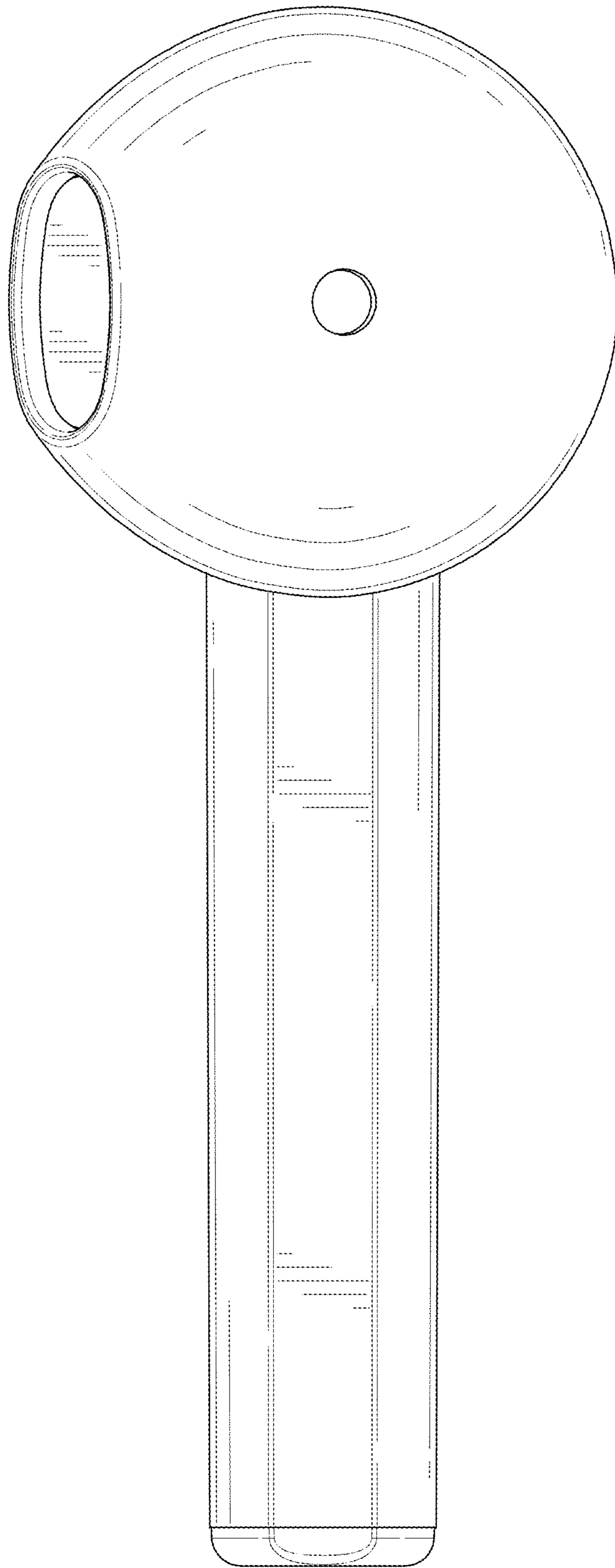


FIG. 3

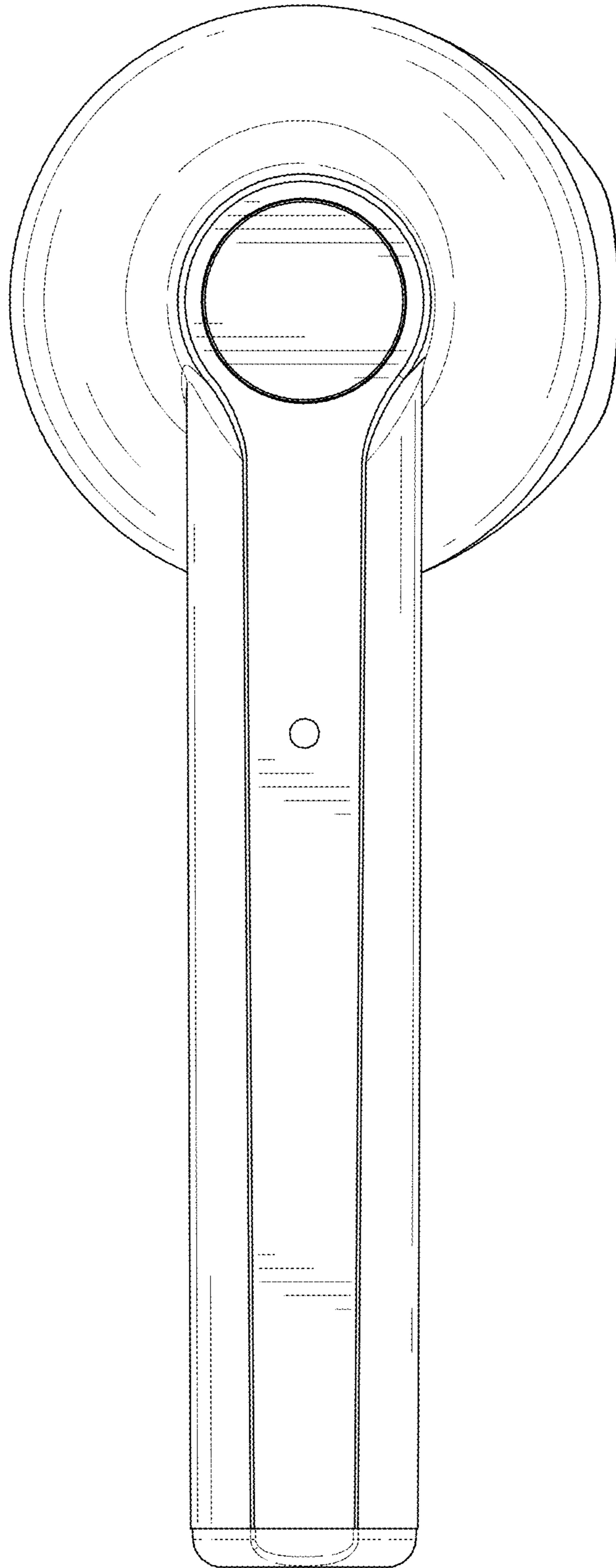


FIG. 4

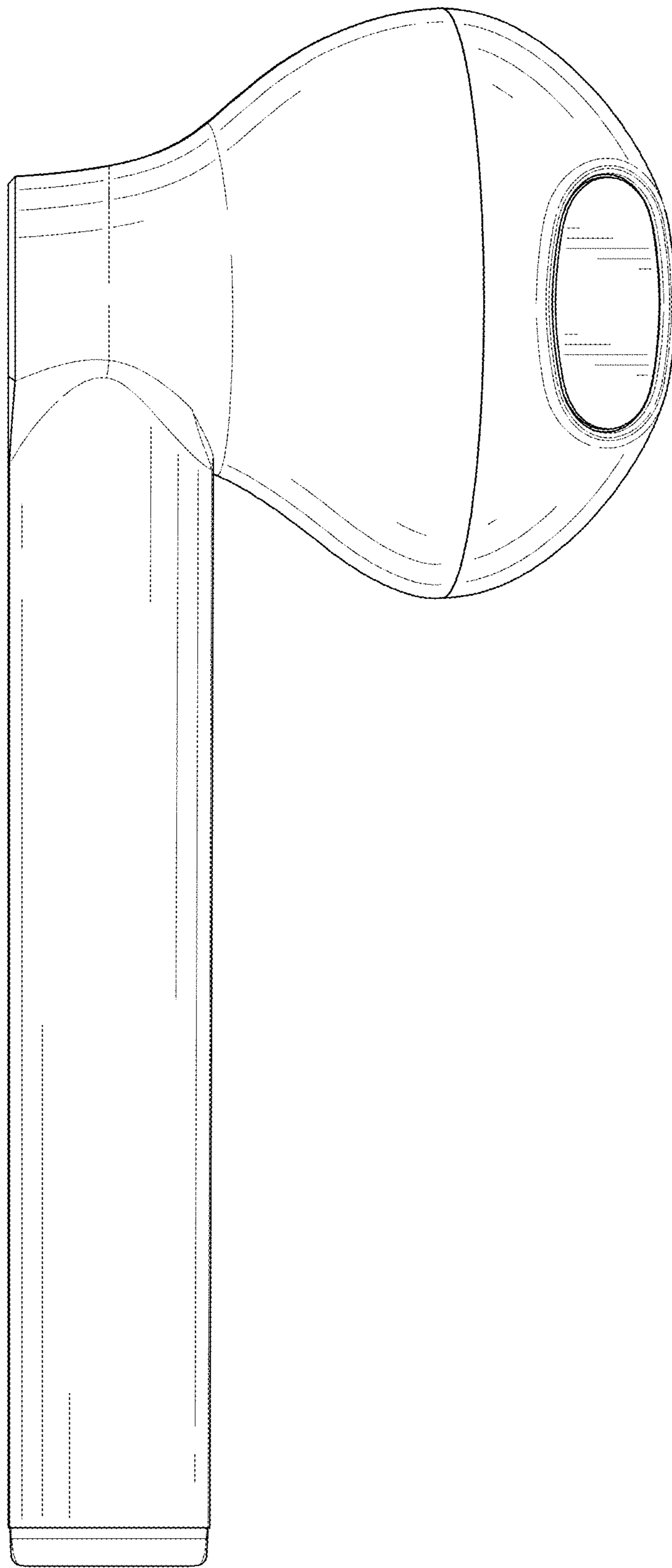


FIG. 5

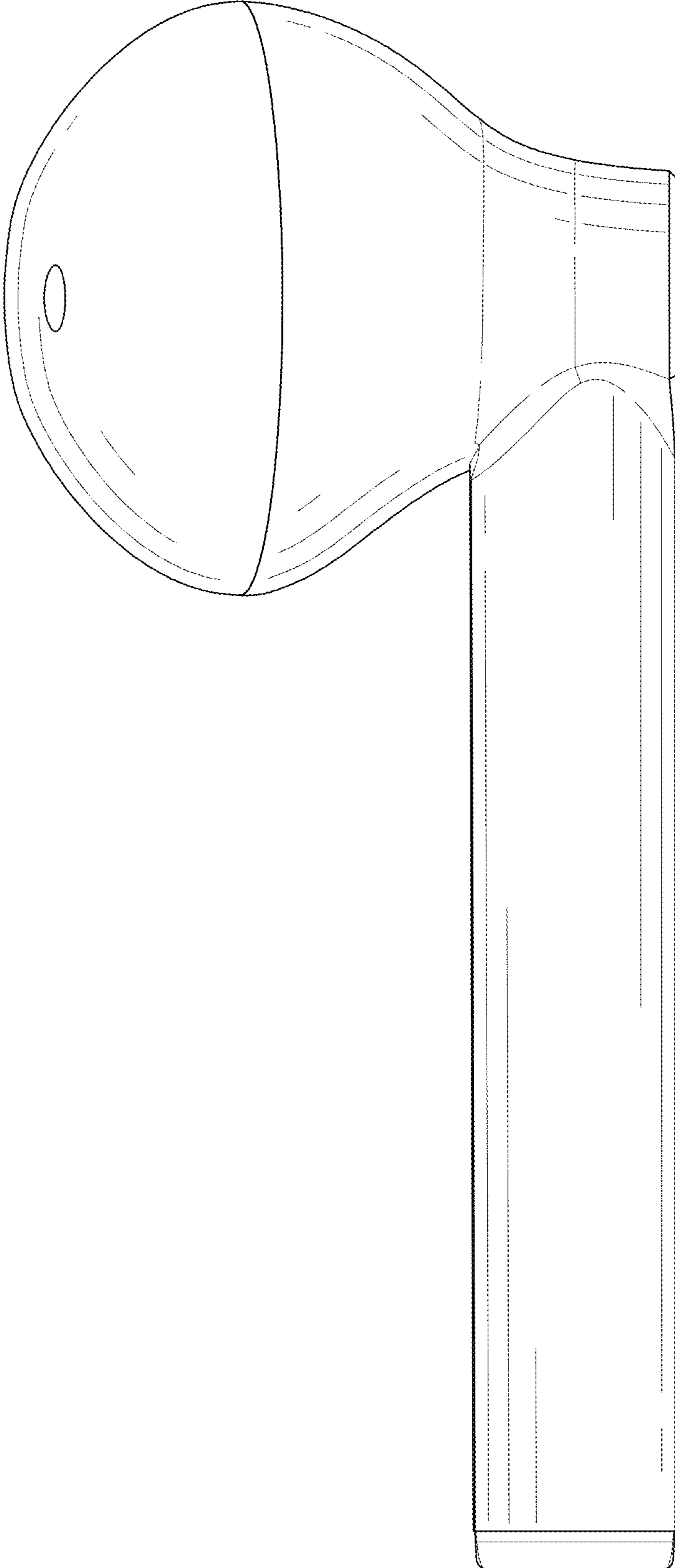


FIG. 6

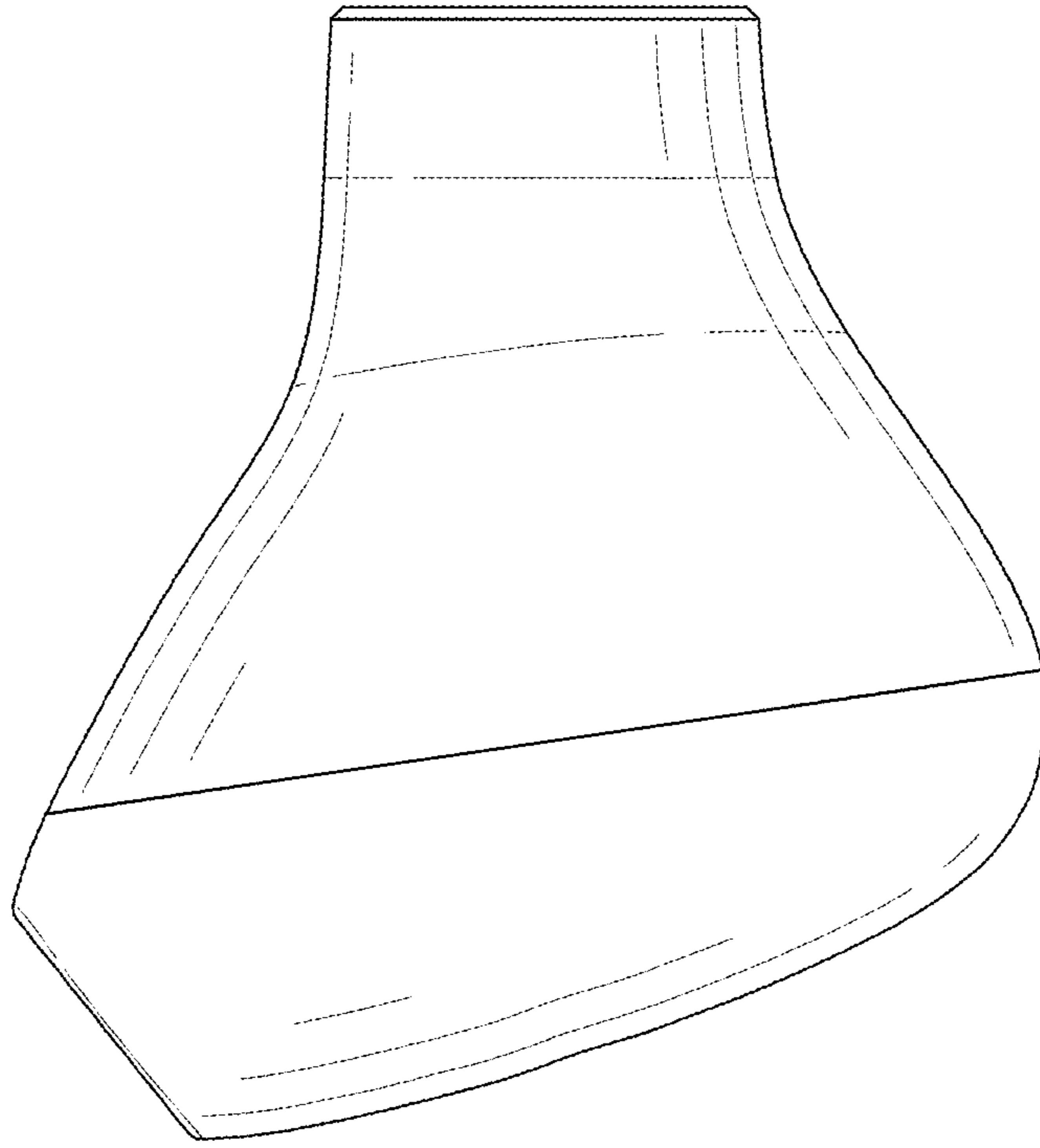


FIG. 7

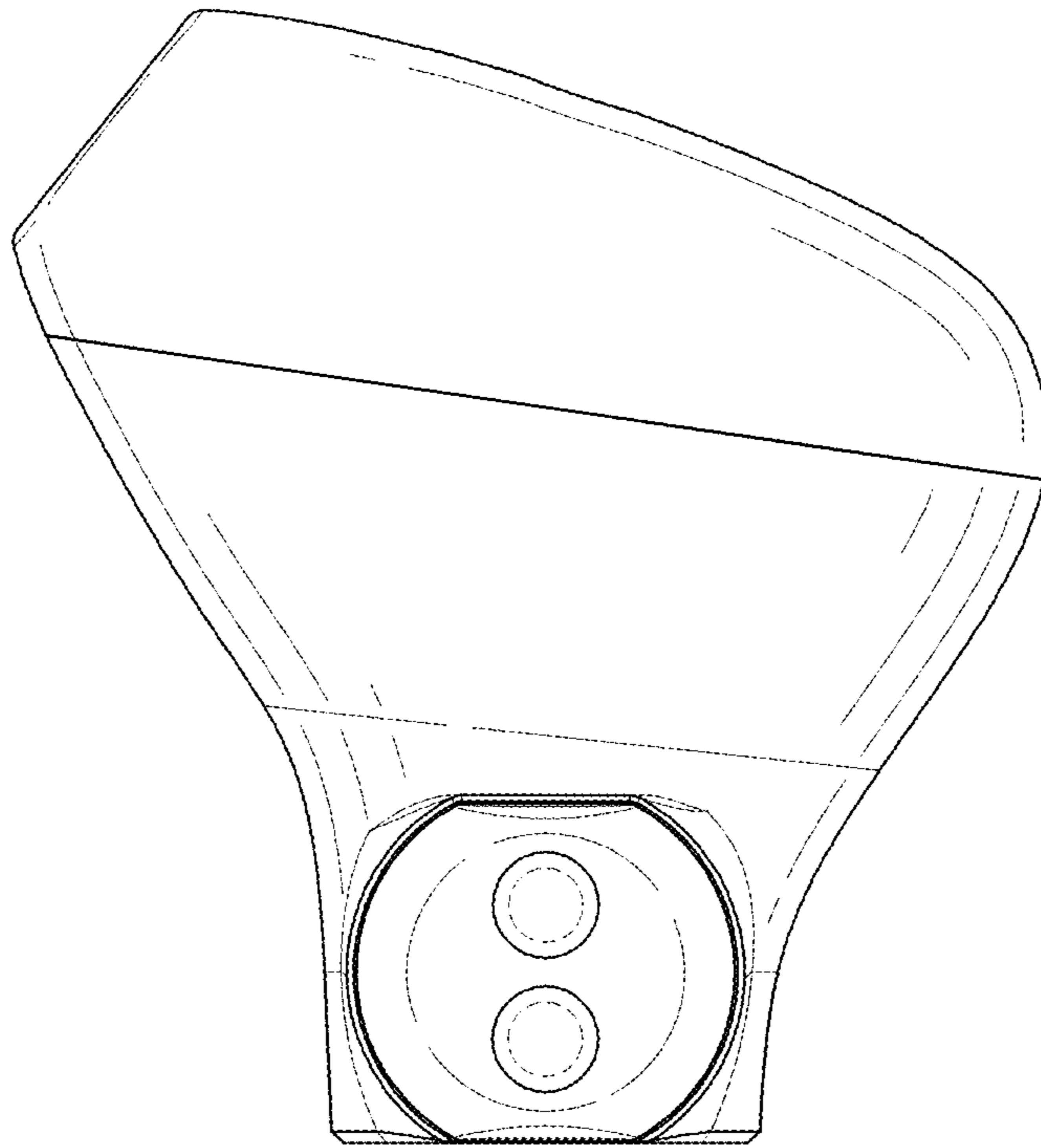


FIG. 8