



US00D890723S

(12) **United States Design Patent**  
**Moudgill et al.**

(10) **Patent No.:** **US D890,723 S**  
(45) **Date of Patent:** **\*\* Jul. 21, 2020**

(54) **ELECTRONIC HOUSING**

(71) Applicant: **Peripherii Inc.**, Chappaqua, NY (US)

(72) Inventors: **Priti Moudgill**, Chappaqua, NY (US);  
**Sonal Budhiraja**, Palo Alto, CA (US)

(73) Assignee: **Peripherii Inc.**, Chappaqua, NY (US)

(\*\*) Term: **15 Years**

(21) Appl. No.: **29/717,270**

(22) Filed: **Dec. 16, 2019**

**Related U.S. Application Data**

(63) Continuation-in-part of application No. 15/751,356, filed as application No. PCT/US2016/052401 on Sep. 18, 2016.

(51) **LOC (12) Cl.** ..... **14-01**

(52) **U.S. Cl.**  
USPC ..... **D14/223**; D14/206

(58) **Field of Classification Search**  
USPC ..... D14/223, 205, 188, 192, 206, 249, 142, D14/137; 181/129, 130, 135; 379/430, 379/431; 381/380, 381, 374, 375, 330, 381/376, 345; 455/90.3, 575.1, 569.1; D29/112; 2/209; D13/168  
CPC . H04R 1/10; H04R 25/00; H04R 1/02; H04R 1/1066; H04R 1/1016; H04R 5/033; H04R 5/0335; H04B 1/38  
See application file for complete search history.

(56) **References Cited**

**U.S. PATENT DOCUMENTS**

2,474,135 A \* 6/1949 White ..... H04R 25/656  
381/381  
2,754,497 A \* 7/1956 Wolpert ..... B60K 28/06  
340/575

(Continued)

**FOREIGN PATENT DOCUMENTS**

KR 10-1109018 1/2012

**OTHER PUBLICATIONS**

U.S. Appl. No. 15/751,356, filed Feb. 8, 2018, Moudgill, et al.  
PCT/US16/052401, International Search Report and Written Opinion, dated Jan. 6, 2017, 10 pages—English.

*Primary Examiner* — Paula Allen Greene

(74) *Attorney, Agent, or Firm* — Zhong Law, LLC

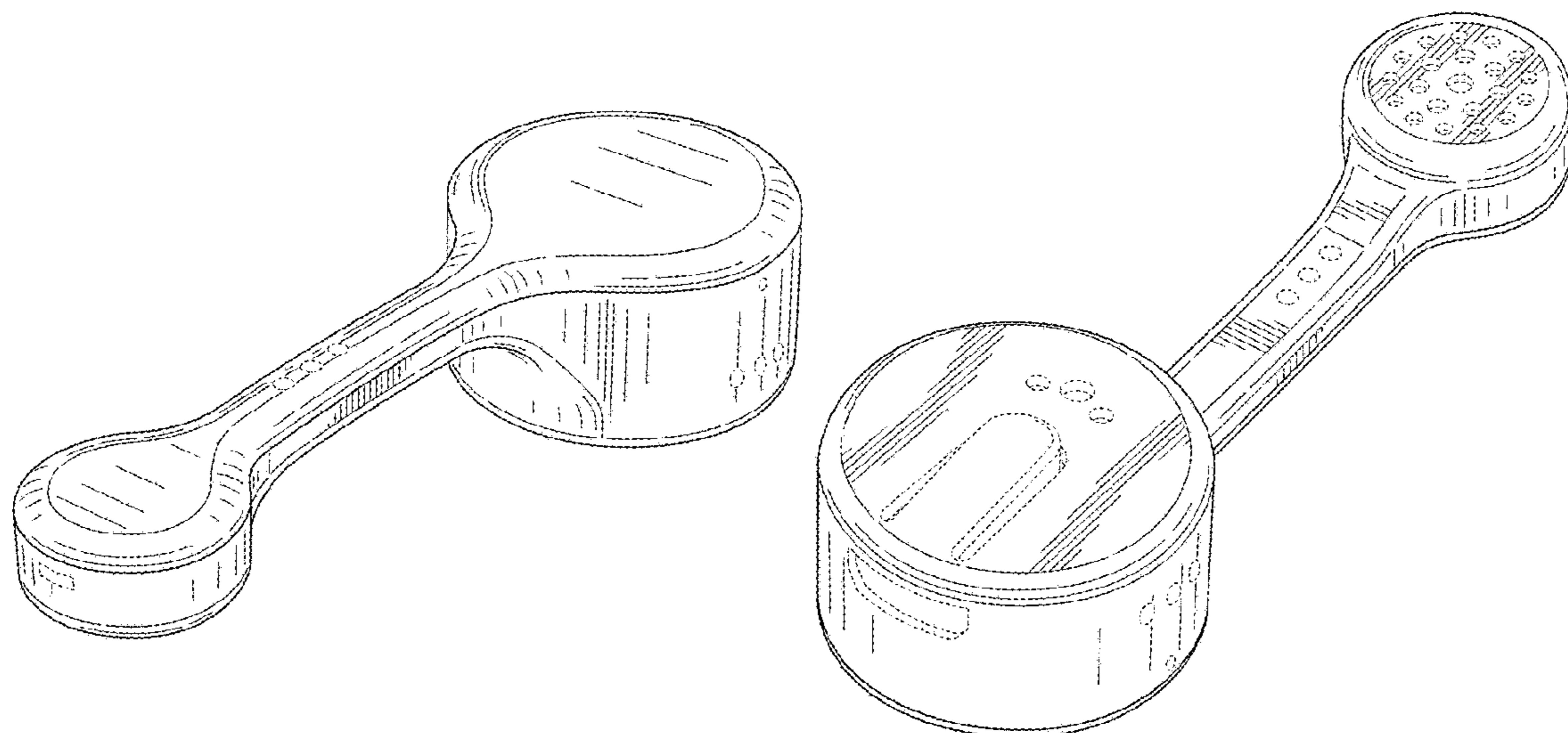
(57) **CLAIM**

The ornamental design for an electronic housing, as shown and described.

**DESCRIPTION**

This application is additionally related to but does claim priority from U.S. patent application Ser. No. 29/633,217 filed Jan. 12, 2018 now issued as U.S. Pat. No. D. 815,619. FIG. 1 is a front top perspective view of the invention. FIG. 2 is a rear bottom perspective view thereof. FIG. 3 is a bottom plan view thereof. FIG. 4 is a top plan view thereof. FIG. 5 is a left side elevation view thereof. FIG. 6 is a right side elevation view thereof. FIG. 7 is a front elevation view thereof. FIG. 8 is a rear elevation view thereof. FIG. 9 is a front top perspective view of a further embodiment of the invention. FIG. 10 is a rear bottom perspective view thereof. FIG. 11 is a bottom plan view thereof. FIG. 12 is a top plan view thereof. FIG. 13 is a left side elevation view thereof. FIG. 14 is a right side elevation view thereof. FIG. 15 is a front elevation view thereof; and, FIG. 16 is a rear elevation view thereof. In the drawing the claimed design is defined by the shaded surfaces; the broken lines depict unclaimed environment that forms no part of the claimed design.

**1 Claim, 7 Drawing Sheets**



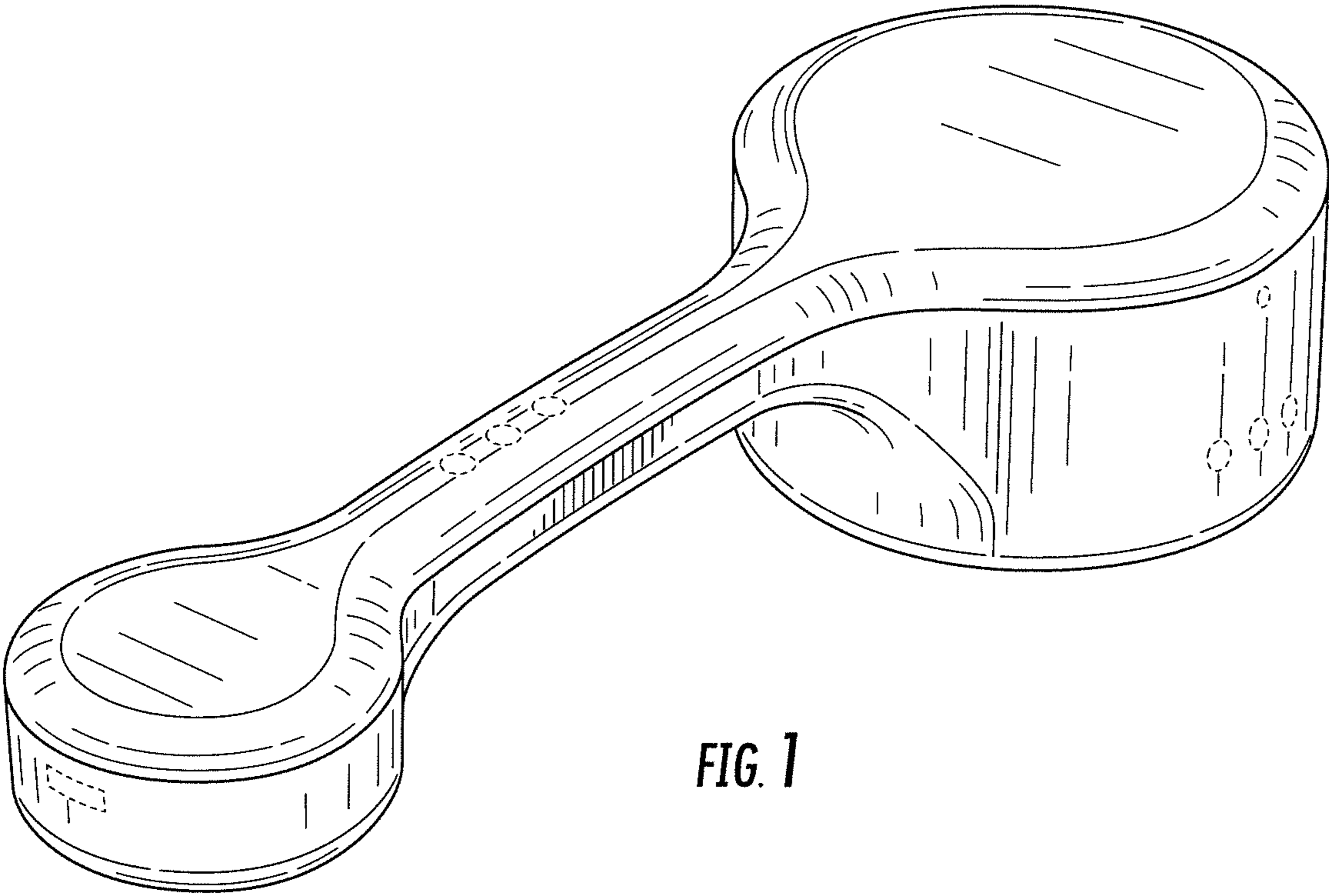
(56)

References Cited

U.S. PATENT DOCUMENTS

D180,695 S *	7/1957	Norris	D14/192	D505,414 S *	5/2005	Ko	D14/223
2,910,679 A *	10/1959	Baldwin	G08B 21/06	D511,768 S *	11/2005	Naito	D14/205
			340/575	D515,069 S *	2/2006	Naito	D14/205
3,145,872 A *	8/1964	Hayes	B65D 55/16	D527,377 S *	8/2006	Darbut	D14/223
			220/375	D561,739 S *	2/2008	Ikeda	D14/206
D211,951 S *	8/1968	Thomson	D14/206	D581,396 S *	11/2008	Wikel	D14/206
3,815,583 A *	6/1974	Scheidt	A61B 5/0002	D586,833 S *	2/2009	Huang	D16/135
			600/479	D633,899 S *	3/2011	Zheng	D14/223
3,862,378 A *	1/1975	Norris	H04M 1/05	D635,962 S *	4/2011	Kelley	D14/206
			379/430	8,086,288 B2	12/2011	Klein	
3,906,478 A *	9/1975	Smey	B60K 28/06	D679,267 S *	4/2013	Lee	D14/223
			340/575	D695,276 S *	12/2013	Chee	D14/206
4,596,899 A *	6/1986	Wojcik	H04M 1/2155	D698,026 S *	1/2014	Kuwata	D24/174
			379/52	D707,652 S *	6/2014	Brunner	H04R 1/1016
4,677,675 A *	6/1987	Killion	H04R 25/48				
			381/322	D725,082 S *	3/2015	Palmborg	D14/205
4,720,857 A *	1/1988	Burriss	H04M 1/05	D727,301 S *	4/2015	Smith	D14/223
			379/430	D730,868 S *	6/2015	Birger	D14/205
4,864,611 A *	9/1989	Helmuth	H04M 1/20	D732,509 S *	6/2015	Brunner	D14/206
			379/444				H04R 1/1016
D309,306 S *	7/1990	Weiser	D14/249	D742,860 S *	11/2015	Miyake	D14/223
D311,521 S *	10/1990	Jonsson	D14/206	D743,861 S *	11/2015	Hodges	D14/223
D348,002 S *	6/1994	Jones	294/159	D743,949 S *	11/2015	Miyake	D12/181
D348,067 S *	6/1994	Lucey	D14/223	D750,043 S *	2/2016	Birger	D14/223
D350,757 S *	9/1994	Carpenter	D14/223	D764,445 S *	8/2016	Czaniecki	D14/206
D353,379 S *	12/1994	Nakamura	D14/223	D766,209 S *	9/2016	Harper	D14/223
D357,921 S *	5/1995	Ming-Chin	D14/223	D771,599 S *	11/2016	Kim	D14/206
5,448,637 A *	9/1995	Yamaguchi	H04M 1/05	D798,843 S *	10/2017	Valenzuela	D14/223
			379/430	D815,619 S *	4/2018	Moudgill et al.	
D369,349 S *	4/1996	Hayashi	D14/223	D841,626 S *	2/2019	Tang	D14/223
D382,874 S *	8/1997	Peschke	D14/142	D847,794 S *	5/2019	Guo	D14/223
D384,958 S *	10/1997	Shudo	D14/206	D848,980 S *	5/2019	Kim	D14/223
D388,437 S *	12/1997	Inukai	D14/223	D848,981 S *	5/2019	Kim	D14/223
5,787,166 A *	7/1998	Ullman	H04M 1/05	D848,982 S *	5/2019	Kim	D14/223
			379/430	D848,983 S *	5/2019	Kim	D14/223
6,047,076 A	4/2000	Yang		D852,783 S *	7/2019	Hueber	D14/223
D424,577 S *	5/2000	Backs	D13/168	D873,248 S *	1/2020	Weicheng	D14/223
D427,034 S *	6/2000	Cyrell	D8/356	D874,065 S *	1/2020	Bui	D29/112
D430,146 S *	8/2000	Lin	D14/223	D874,736 S *	2/2020	Bui	D29/112
6,230,029 B1	5/2001	Hahn et al.		2002/0039427 A1	4/2002	Whitwell et al.	
D451,906 S *	12/2001	Amae	D14/223	2003/0022690 A1	1/2003	Beyda	
D457,513 S *	5/2002	Pirelli	D14/223	2004/0066948 A1	4/2004	Bogeskov-Jensen	
D460,960 S *	7/2002	Kao	D14/223	2004/0136555 A1	7/2004	Enzmann	
D467,908 S *	12/2002	Bey	D14/223	2007/0058831 A1	3/2007	Rie	
D475,694 S *	6/2003	Bey	D14/206	2008/0161023 A1	7/2008	Ko	
D478,901 S *	8/2003	Rath	D14/223	2008/0311966 A1	12/2008	Klein	
D487,733 S *	3/2004	Lucaci	D14/137	2009/0067658 A1 *	3/2009	Lin	H04R 1/2842
D492,667 S *	7/2004	Skulley	D14/223				381/345
D494,571 S *	8/2004	Polito	D14/223	2010/0098285 A1	4/2010	Kusuda et al.	
D503,705 S *	4/2005	Boursiquot	D14/206	2012/0087532 A1 *	4/2012	Yang	H04R 1/10
D504,672 S *	5/2005	Hirano	D14/205				381/380
				2014/0098983 A1 *	4/2014	Clow	H04R 1/1091
							381/375

\* cited by examiner



**FIG. 1**

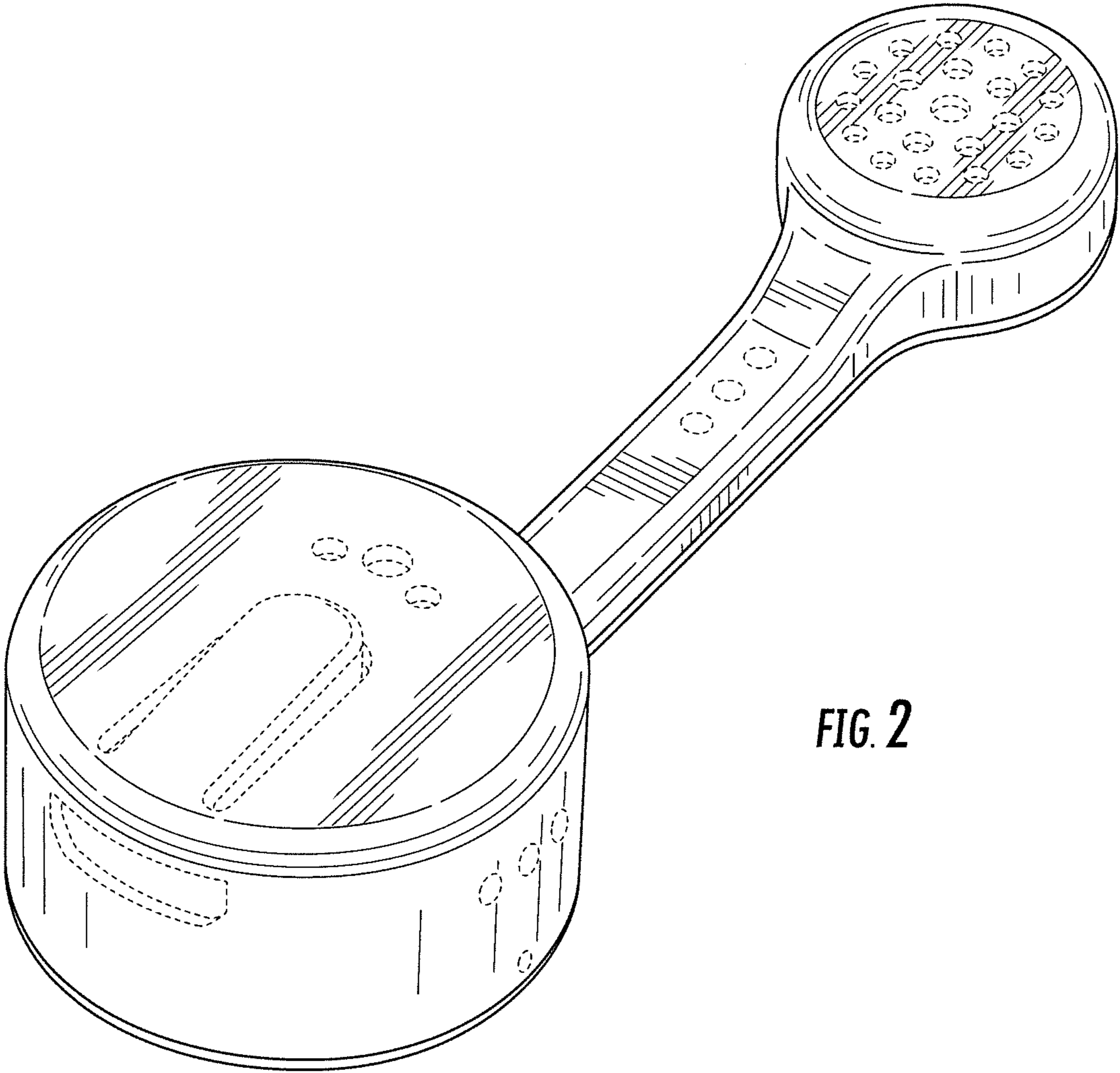


FIG. 2

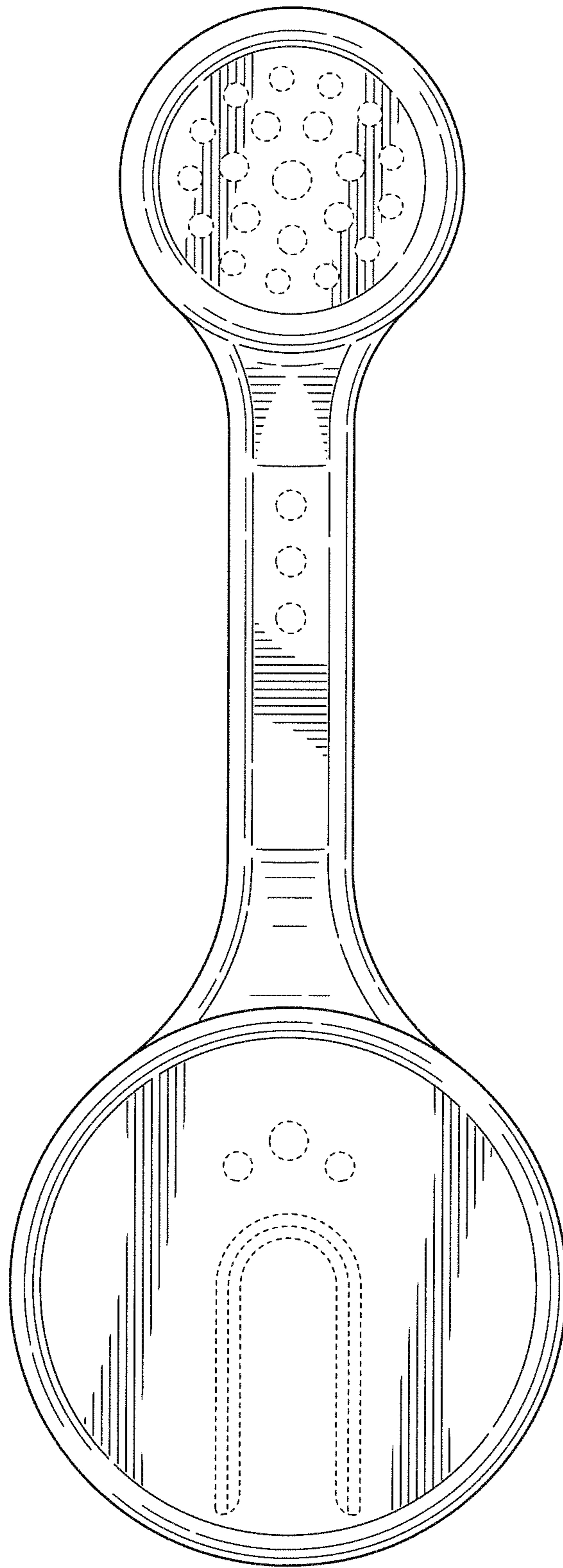
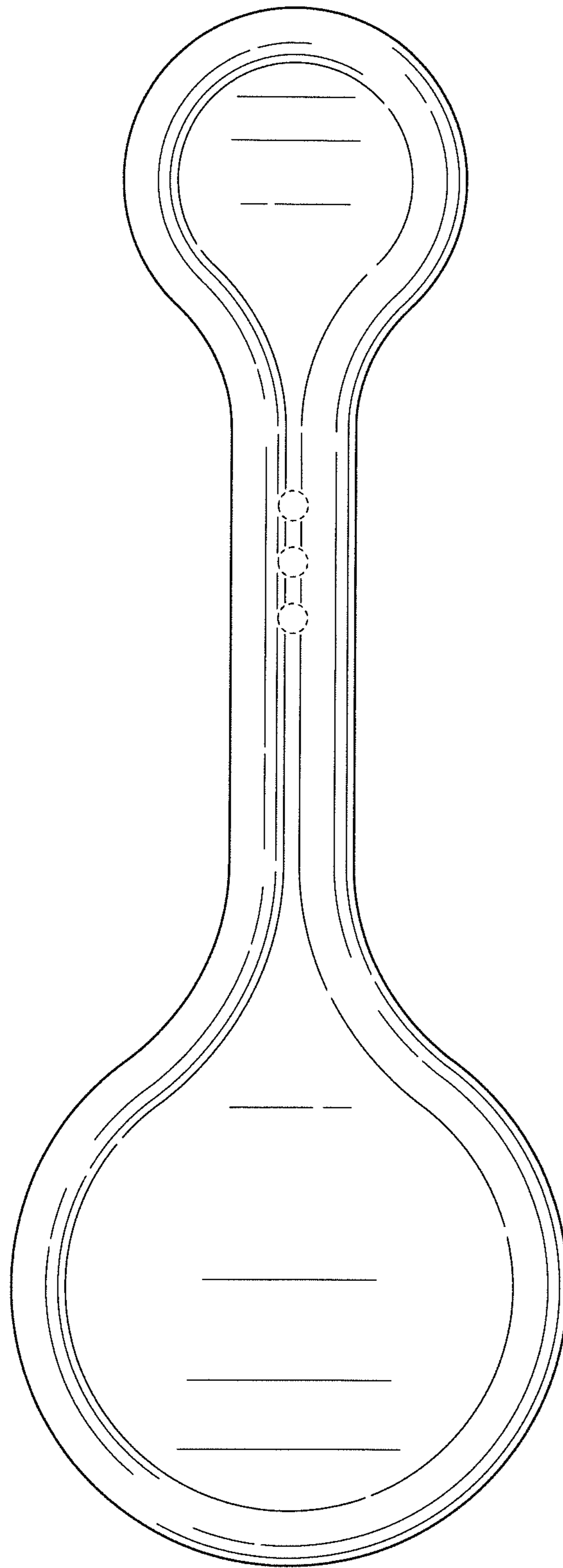
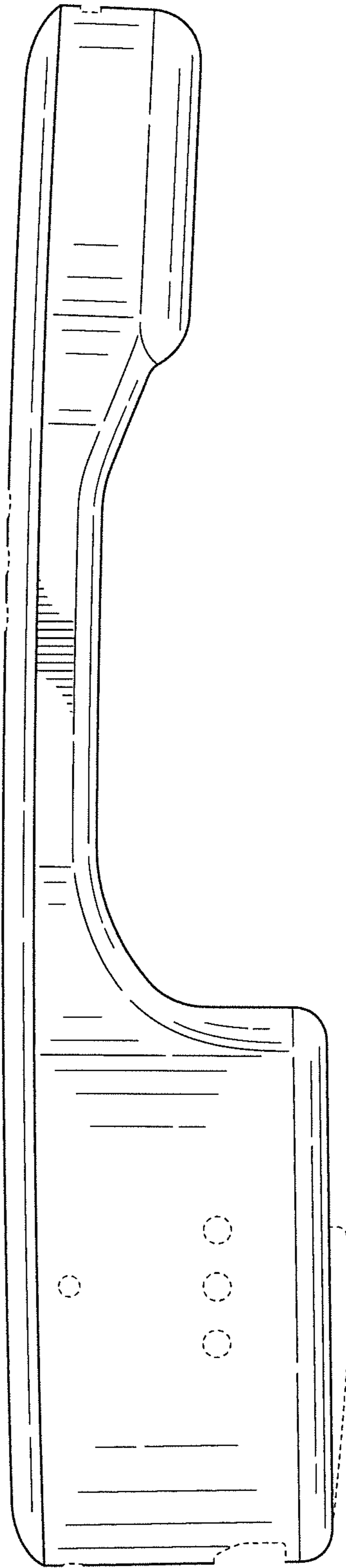


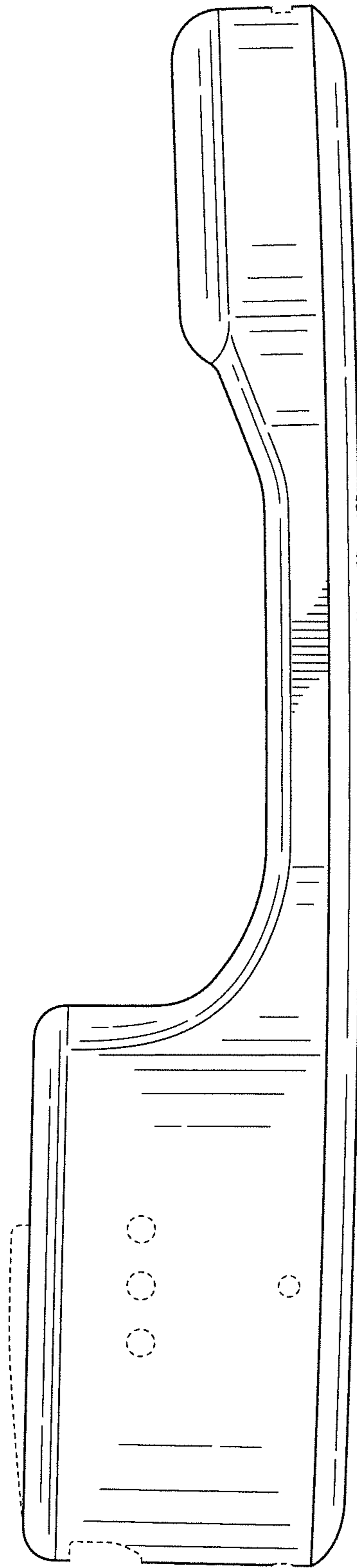
FIG. 3



**FIG. 4**

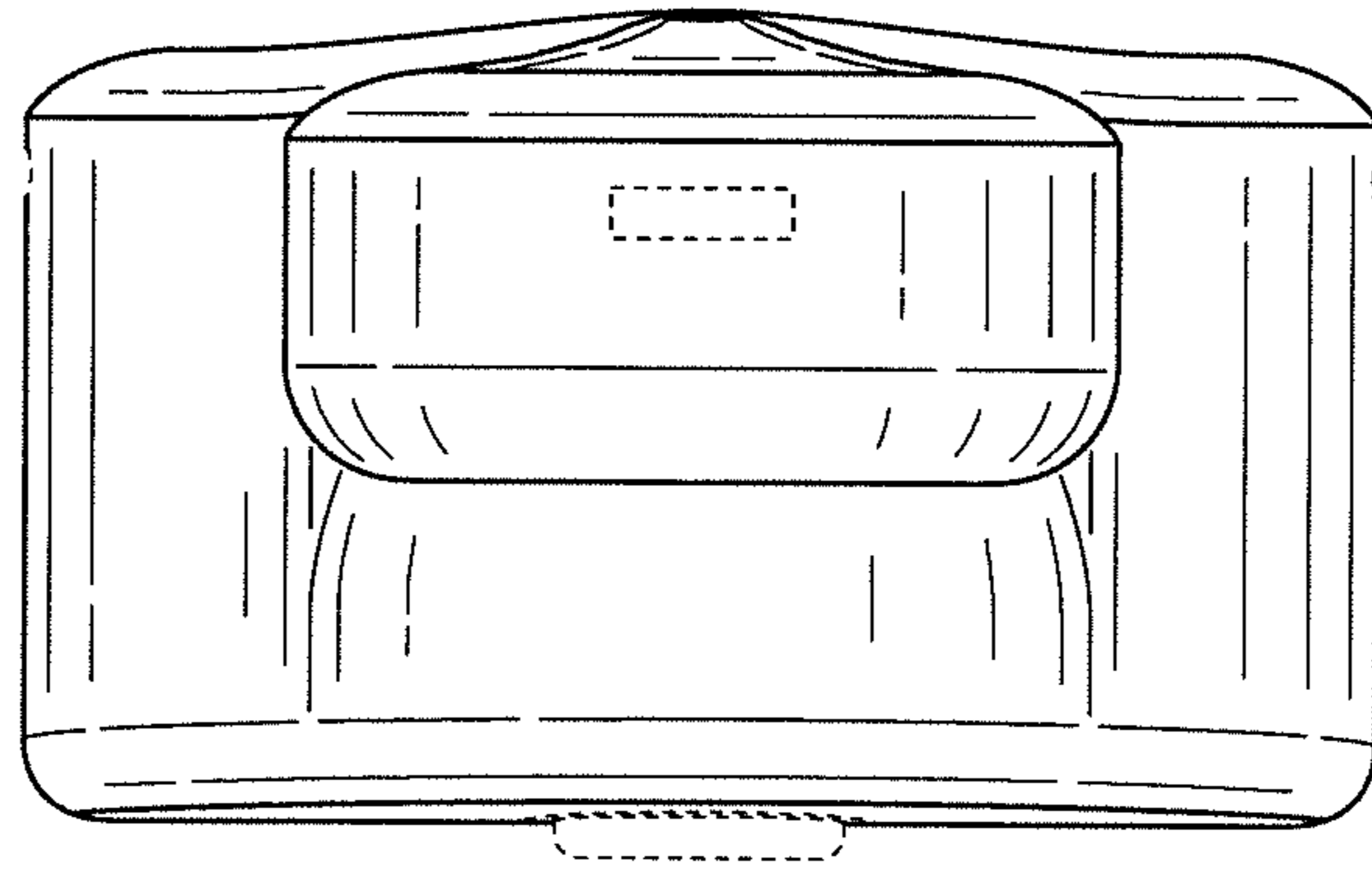


**FIG. 5**

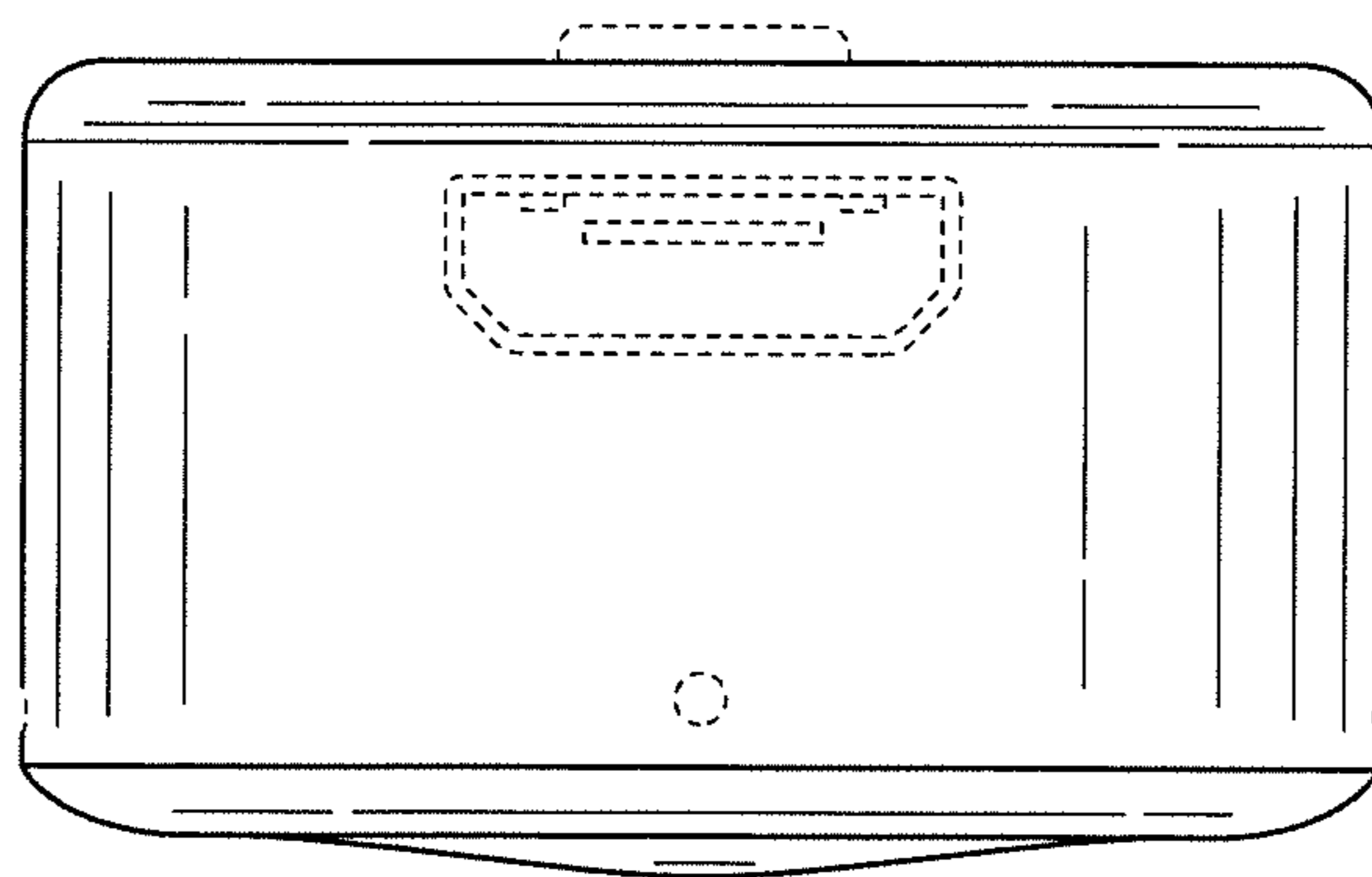


**FIG. 6**





*FIG. 7*



*FIG. 8*