

US00D890721S

(12) **United States Design Patent** (10) **Patent No.:** **US D890,721 S**  
**Ohno** (45) **Date of Patent:** **\*\* Jul. 21, 2020**

(54) **SPEAKER**

(56) **References Cited**

(71) Applicant: **YAMAHA CORPORATION**,  
Hamamatsu-shi (JP)  
(72) Inventor: **Masaharu Ohno**, Hamamatsu (JP)  
(73) Assignee: **YAMAHA CORPORATION**,  
Hamamatsu-shi, Shizuoka (JP)  
(\*\*) Term: **15 Years**  
(21) Appl. No.: **29/623,643**  
(22) Filed: **Oct. 26, 2017**  
(51) **LOC (12) Cl.** ..... **14-01**  
(52) **U.S. Cl.**  
USPC ..... **D14/216**  
(58) **Field of Classification Search**  
USPC ..... D14/167, 168, 170–172, 188, 194–196,  
D14/204, 209.1, 210–216, 219, 221, 222,  
D14/224, 239, 496  
CPC ..... B60R 11/0217; G06F 1/1688; G10K 9/22;  
G10K 11/004; H03F 1/327; H04M 1/03;  
H04M 1/035; H04N 5/642; H04N  
21/4852; H04R 1/02; H04R 1/06; H04R  
1/021; H04R 1/025; H04R 1/026; H04R  
1/028; H04R 1/105; H04R 1/323; H04R  
1/403; H04R 1/2803; H04R 1/2834;  
H04R 5/02; H04R 7/20; H04R 9/06;  
H04R 9/025; H04R 2201/021; H04R  
2400/00; H04R 2201/07; H04R 2499/11;  
H04R 2499/13; H04R 2499/15; H04S  
3/00; H04S 7/30

U.S. PATENT DOCUMENTS

D563,386 S *	3/2008	Foster .....	D14/214
D578,105 S *	10/2008	Komiyama .....	D14/214
D642,158 S *	7/2011	Skurdal .....	D14/214
D655,276 S *	3/2012	Joseph .....	D14/214
D730,865 S *	6/2015	Holzer .....	D14/171
D773,941 S *	12/2016	Holzer .....	D10/22
D785,597 S *	5/2017	Fung .....	D14/204
D789,326 S *	6/2017	Hinokio .....	D14/204
D809,481 S *	2/2018	McManigal .....	D14/216
D829,684 S *	10/2018	Hardi .....	D14/204
D845,277 S *	4/2019	Yoon .....	D14/216
D866,516 S *	11/2019	Demin .....	D14/216

\* cited by examiner

*Primary Examiner* — Keli L Hill

(74) *Attorney, Agent, or Firm* — Sughrue Mion, PLLC

(57) **CLAIM**

The ornamental design for a speaker, as shown and described.

**DESCRIPTION**

FIG. 1 is a perspective view of the front, top and right side of a speaker showing my new design;  
FIG. 2 is a front view thereof;  
FIG. 3 is a rear view thereof;  
FIG. 4 is a right side view thereof,  
FIG. 5 is a top plan view thereof; and,  
FIG. 6 is a bottom view thereof.  
The left side view is a mirror image of the right side view. The broken line showing of the speaker is included for the purpose of illustrating unclaimed portions of the speaker and forms no part of the claimed design.

See application file for complete search history.

**1 Claim, 6 Drawing Sheets**

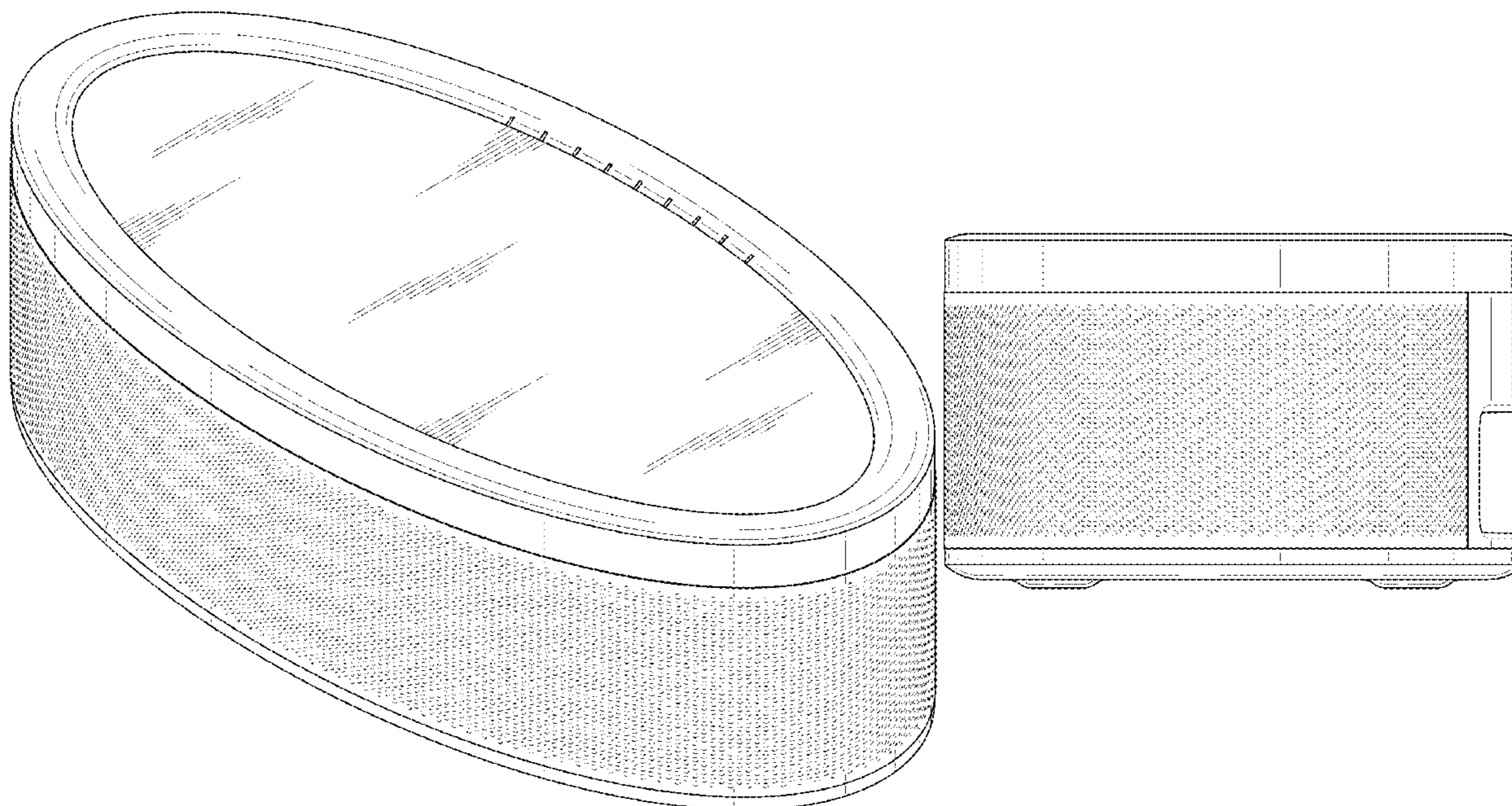


Fig. 1

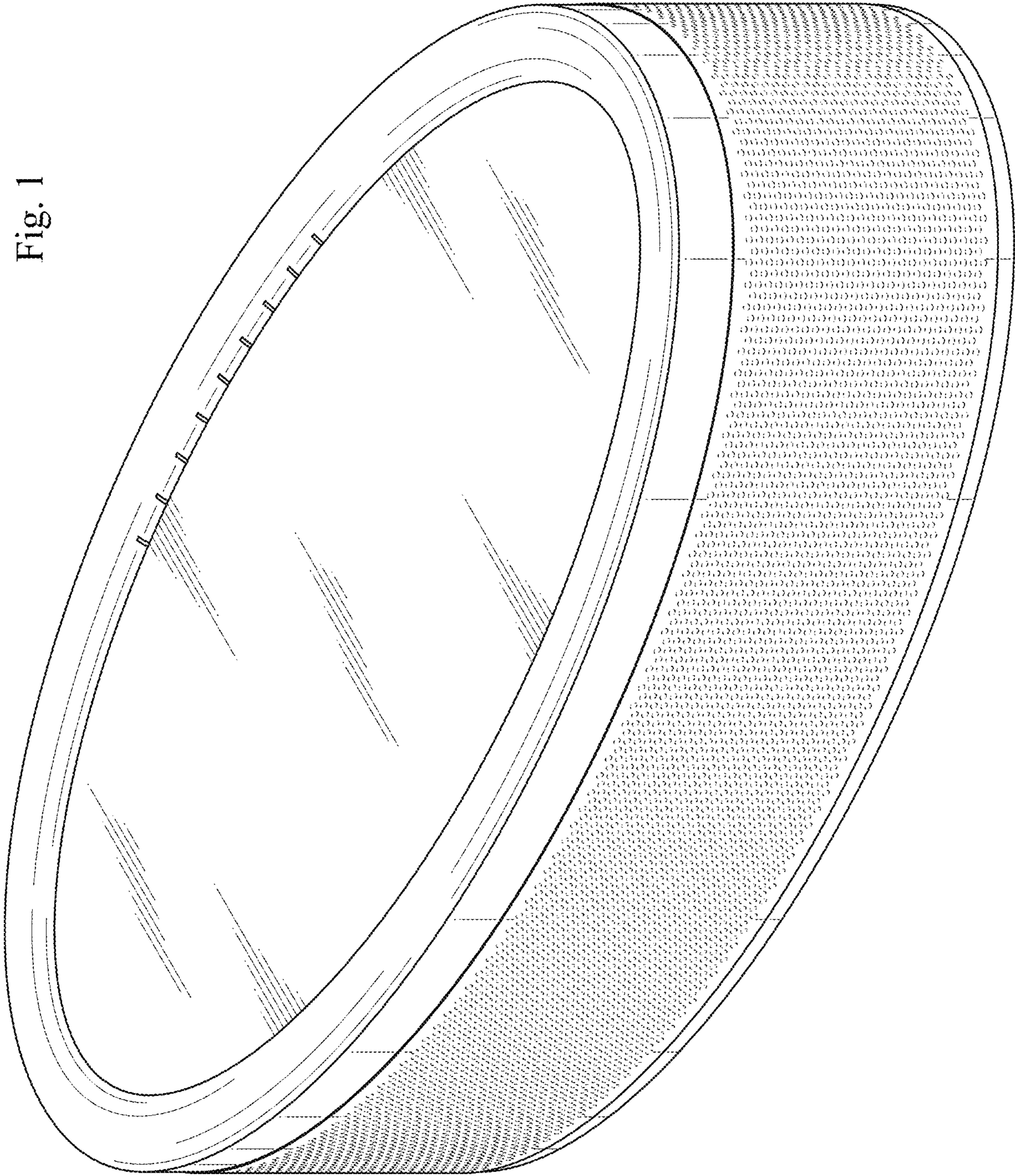


Fig. 2

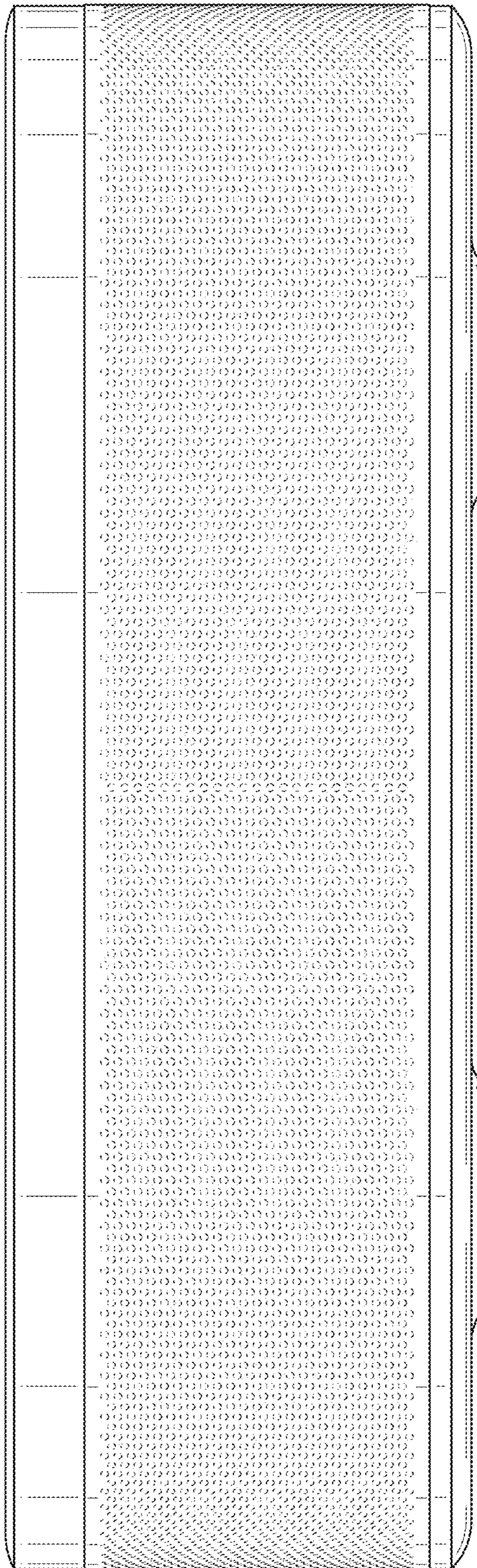


Fig. 3

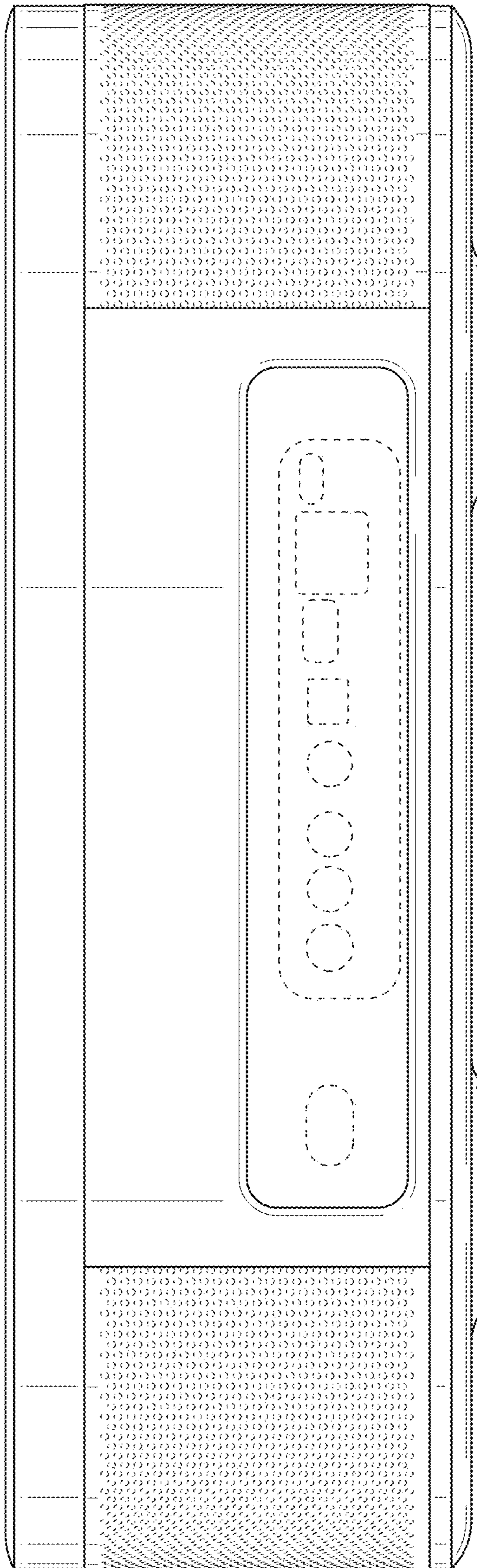


Fig. 4

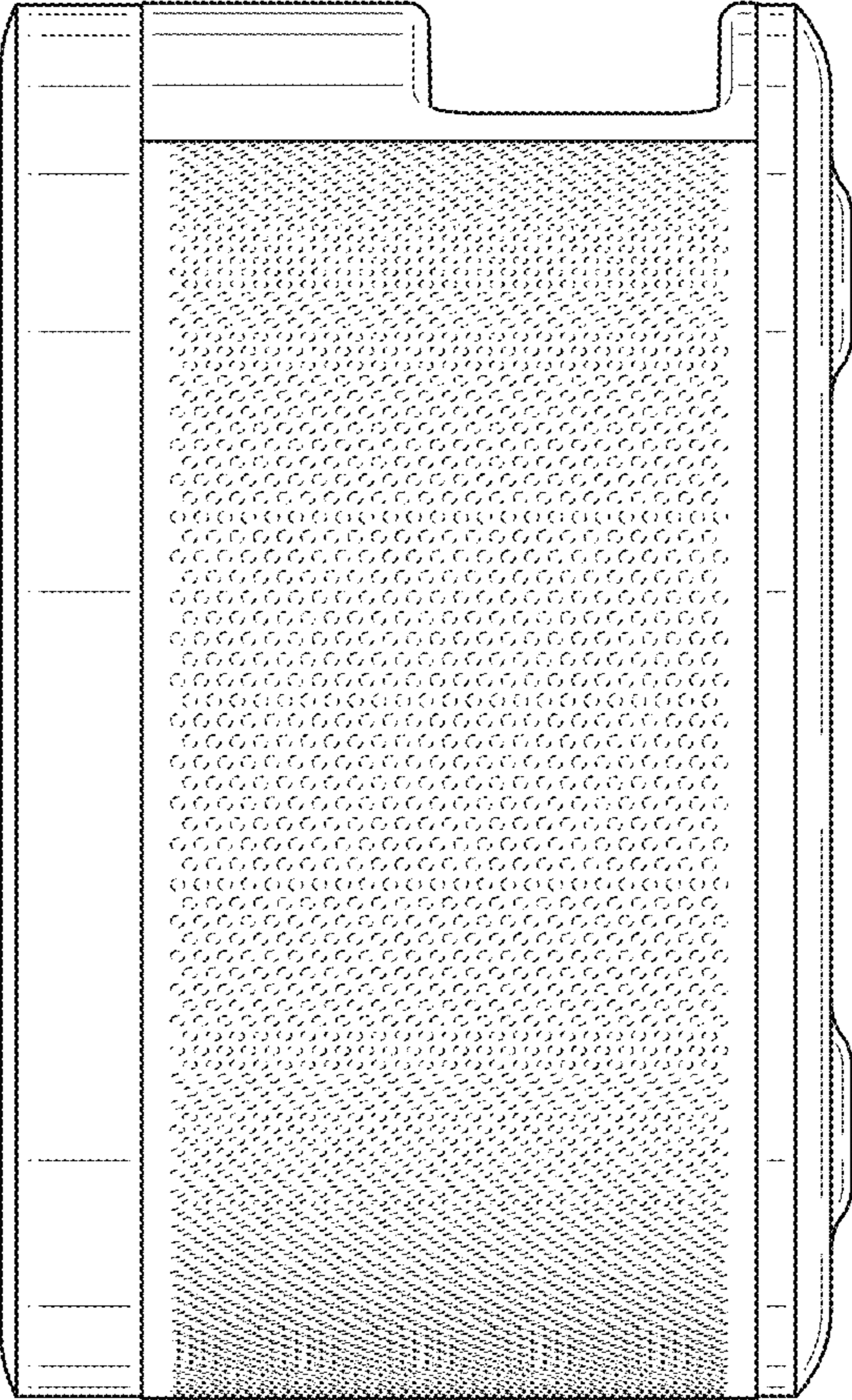


Fig. 5

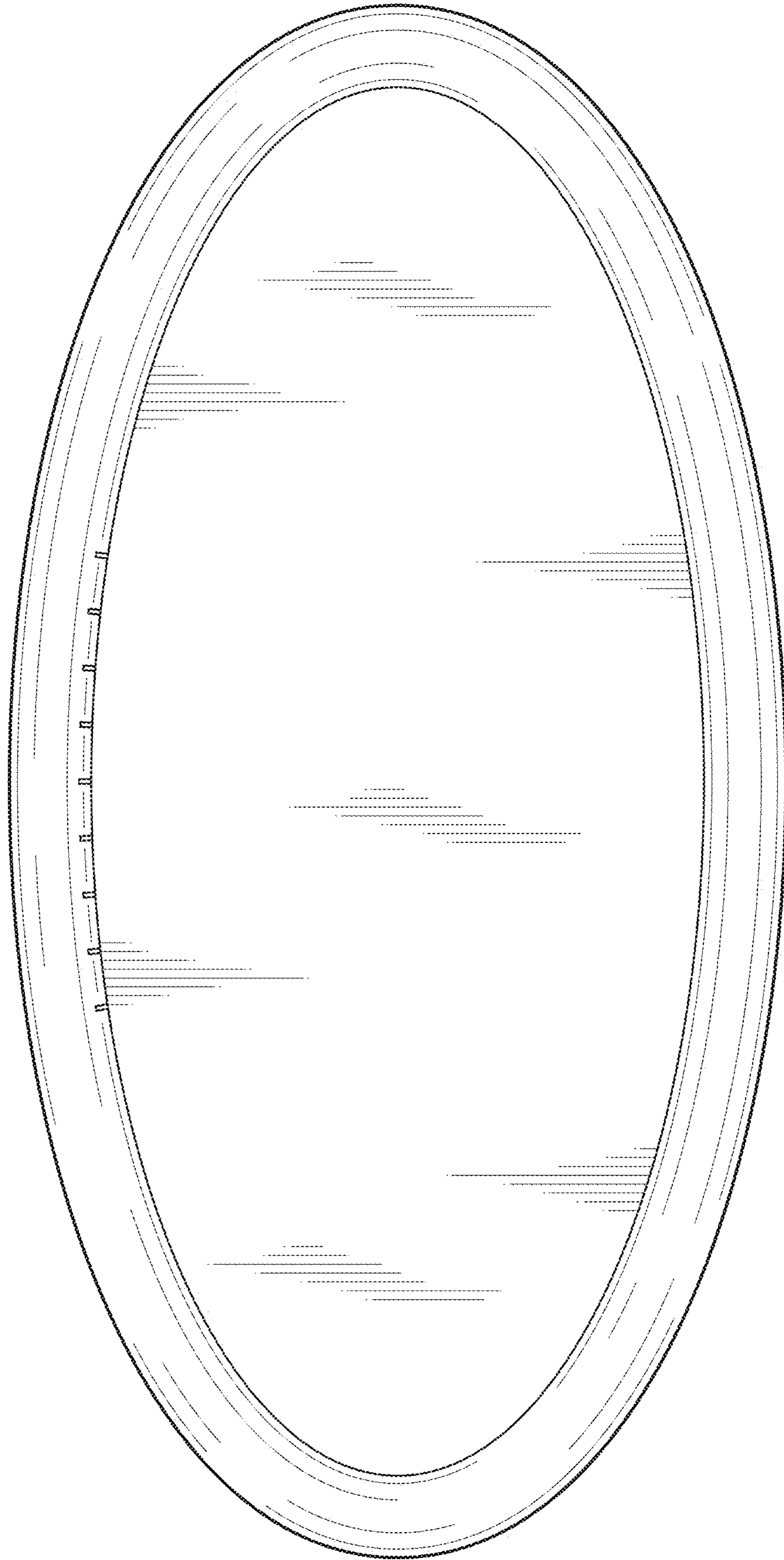


Fig. 6

