

US00D890716S

(12) **United States Design Patent**  
**Kim et al.**

(10) **Patent No.:** **US D890,716 S**  
(45) **Date of Patent:** **\*\* Jul. 21, 2020**

(54) **AUDIO PLAYER**

(71) Applicant: **LG ELECTRONICS INC.**, Seoul (KR)

(72) Inventors: **Kyungmin Kim**, Seoul (KR);  
**Seongahn Jeon**, Seoul (KR)

(73) Assignee: **LG Electronics Inc.**, Seoul (KR)

(\*\*) Term: **15 Years**

(21) Appl. No.: **35/506,927**

(22) Filed: **Dec. 10, 2018**

(80) **Hague Agreement Data**

Int. Filing Date: **Dec. 10, 2018**

Int. Reg. No.: **DM/200335**

Int. Reg. Date: **Dec. 10, 2018**

Int. Reg. Pub. Date: **Jun. 14, 2019**

(30) **Foreign Application Priority Data**

Jun. 11, 2018 (KR) ..... 30-2018-0026839

(51) **LOC (12) Cl.** ..... **14-01**

(52) **U.S. Cl.**  
USPC ..... **D14/157**

(58) **Field of Classification Search**

USPC ..... D14/167, 168, 170-172, 188, 194-196,  
D14/204, 209.1, 210-216, 219, 221, 222,  
D14/224, 239, 496, 162, 169, 175, 179,  
D14/189, 197, 198, 207, 257, 265, 299,  
D14/157

CPC ..... B60R 11/0217; G06F 1/1688; G10K 9/22;  
G10K 11/004; H03F 1/327; H04M 1/03;  
H04M 1/035; H04N 5/642; H04N  
21/4852; H04R 1/02; H04R 1/06; H04R  
1/021; H04R 1/025; H04R 1/026; H04R  
1/028; H04R 1/105; H04R 1/323; H04R  
1/403; H04R 1/2803; H04R 1/2834;

H04R 5/02; H04R 7/20; H04R 9/06;  
H04R 9/025; H04R 2201/021; H04R  
2400/00; H04R 2201/07; H04R 2499/11;  
H04R 2499/13; H04R 2499/15; H04S  
3/00; H04S 7/30

See application file for complete search history.

(56) **References Cited**

U.S. PATENT DOCUMENTS

D553,608 S *	10/2007	Williamson	.....	D14/127
D618,214 S *	6/2010	Wang	.....	D14/209.1
D624,527 S *	9/2010	Ho	.....	D14/209.1
D729,202 S *	5/2015	Shin	.....	D14/215
D789,324 S *	6/2017	Kwon	.....	D14/188
D859,351 S *	9/2019	Park	.....	D14/172
D865,815 S *	11/2019	Kim	.....	D14/497
D870,692 S *	12/2019	Yang	.....	D14/168

\* cited by examiner

*Primary Examiner* — Keli L Hill

(74) *Attorney, Agent, or Firm* — Birch, Stewart, Kolasch & Birch, LLP

(57) **CLAIM**

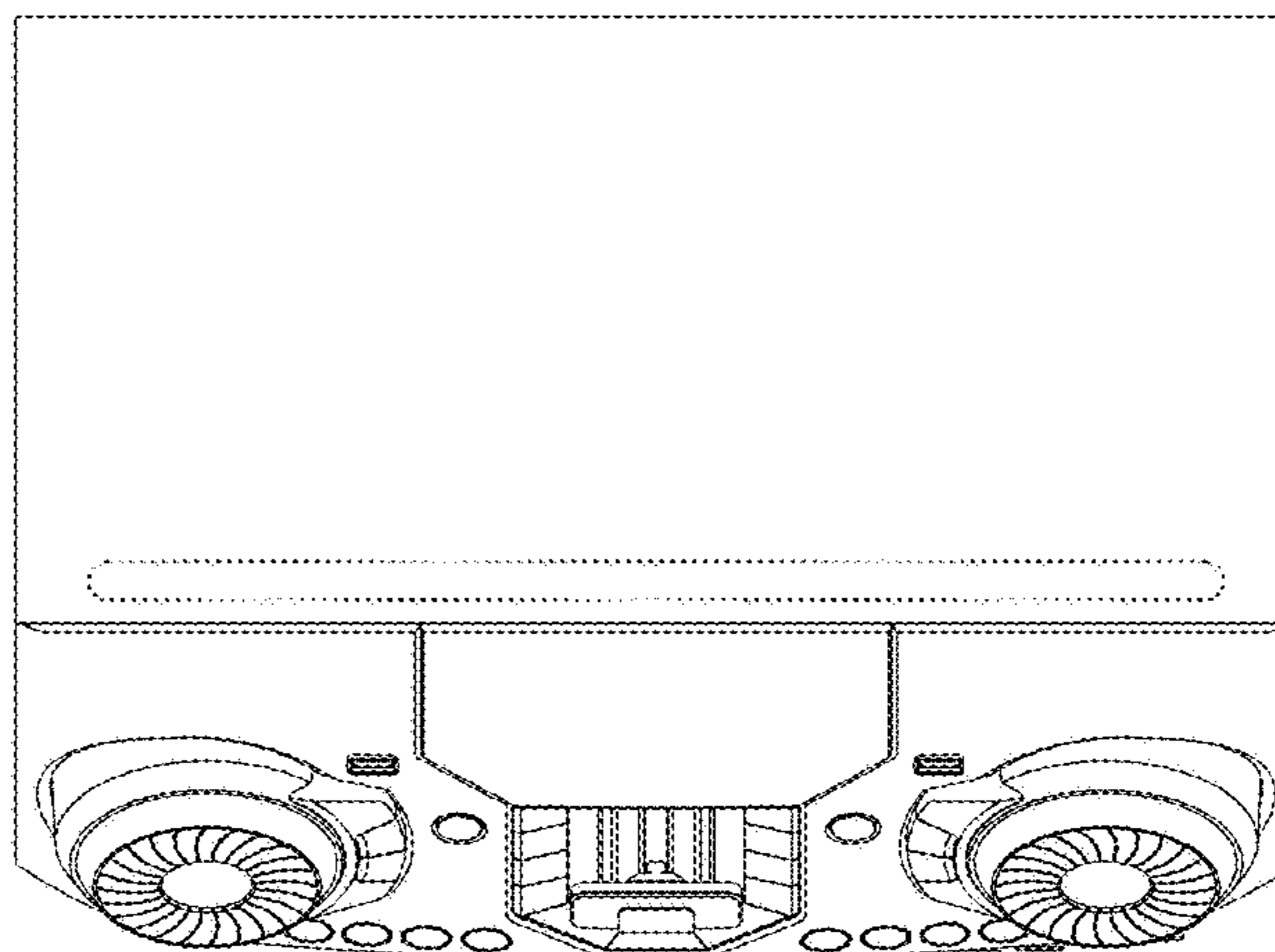
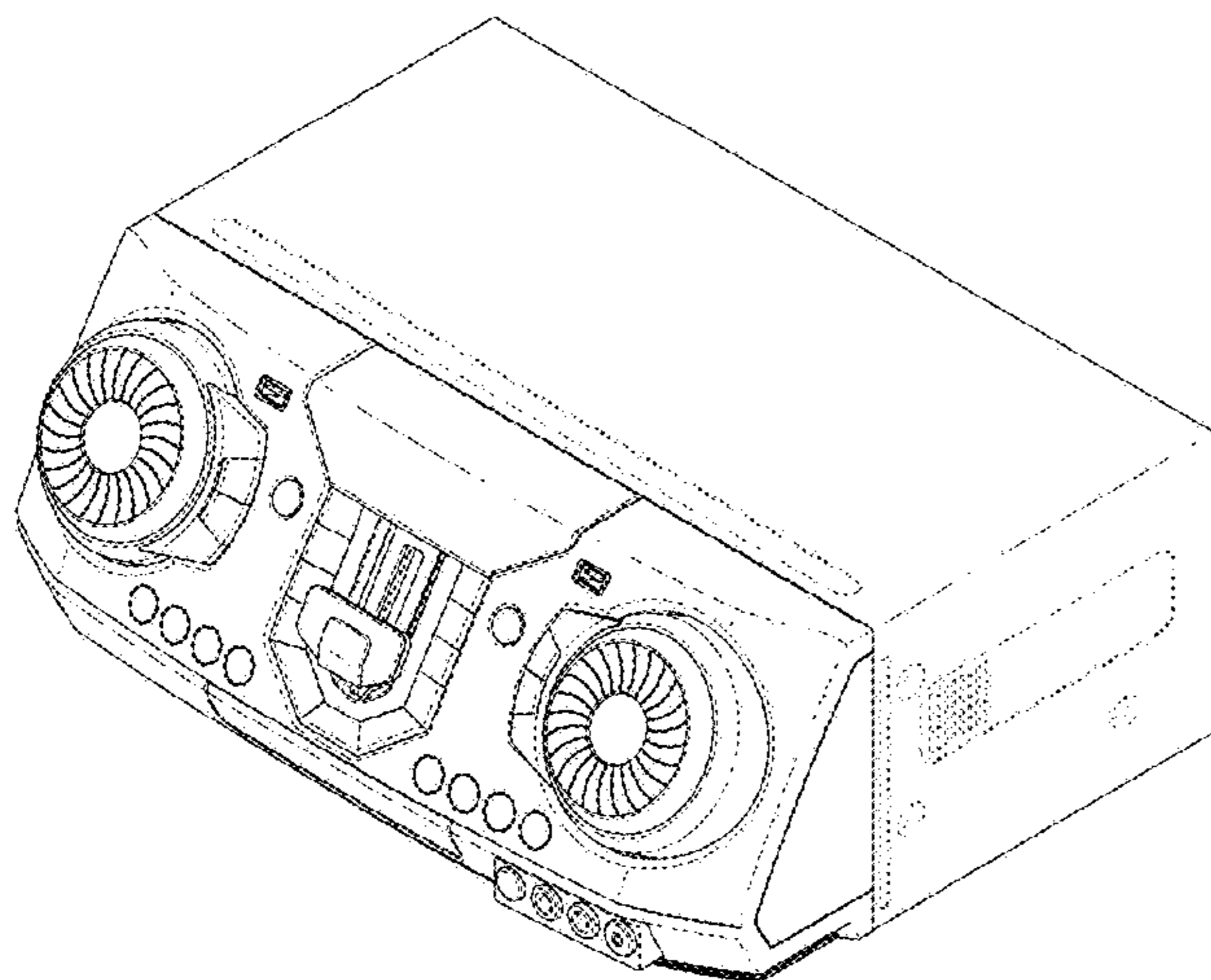
The ornamental design for audio player, as shown and described.

**DESCRIPTION**

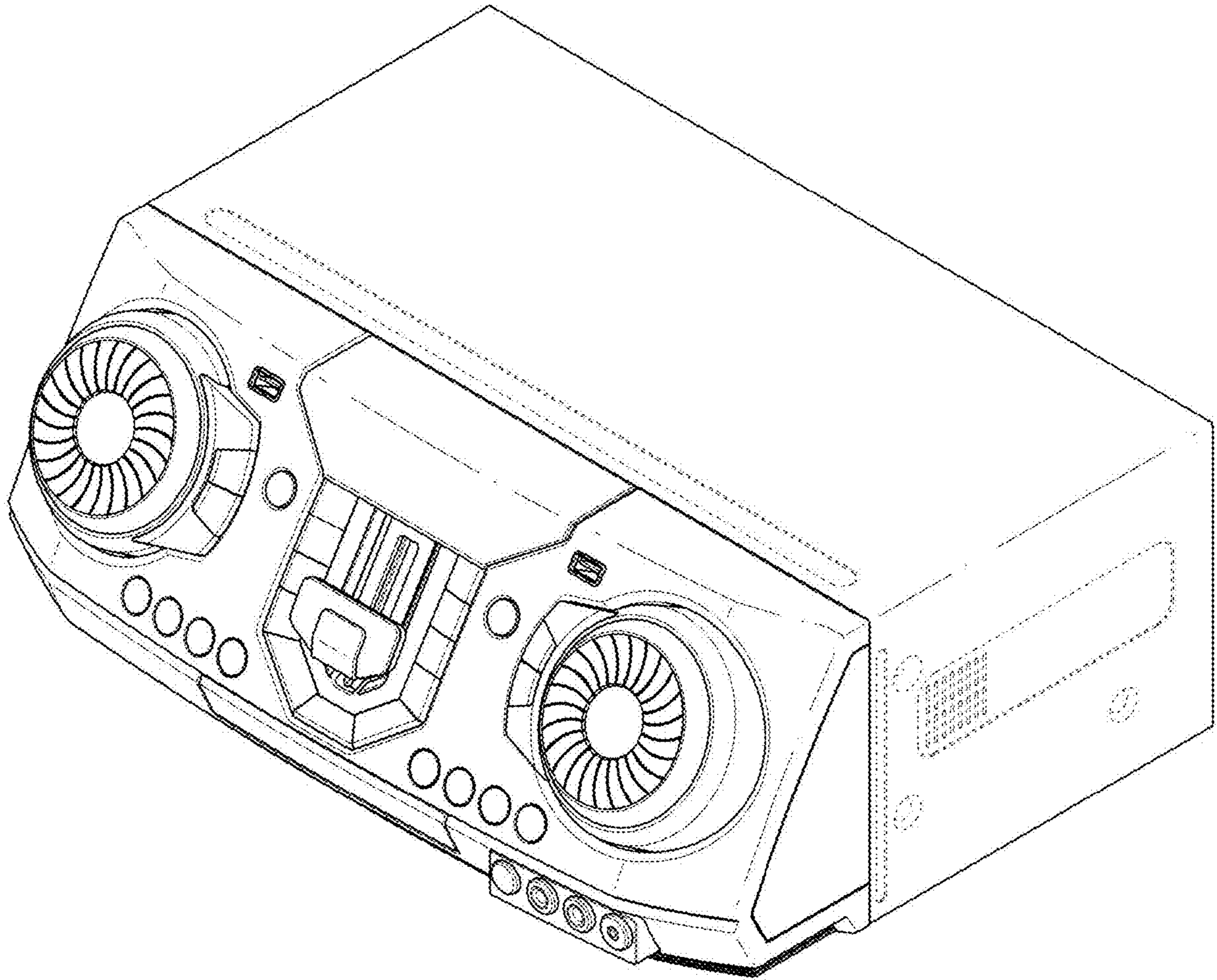
1. Audio player
- 1.1 is a top, front and right side perspective view.
- 1.2 is a front elevation view.
- 1.3 is a rear elevation view.
- 1.4 is a left side elevation view.
- 1.5 is a right side elevation view.
- 1.6 is a top plan view.
- 1.7 is a bottom plan view.

The broken lines indicate portions of the article that form no part of the claimed design.

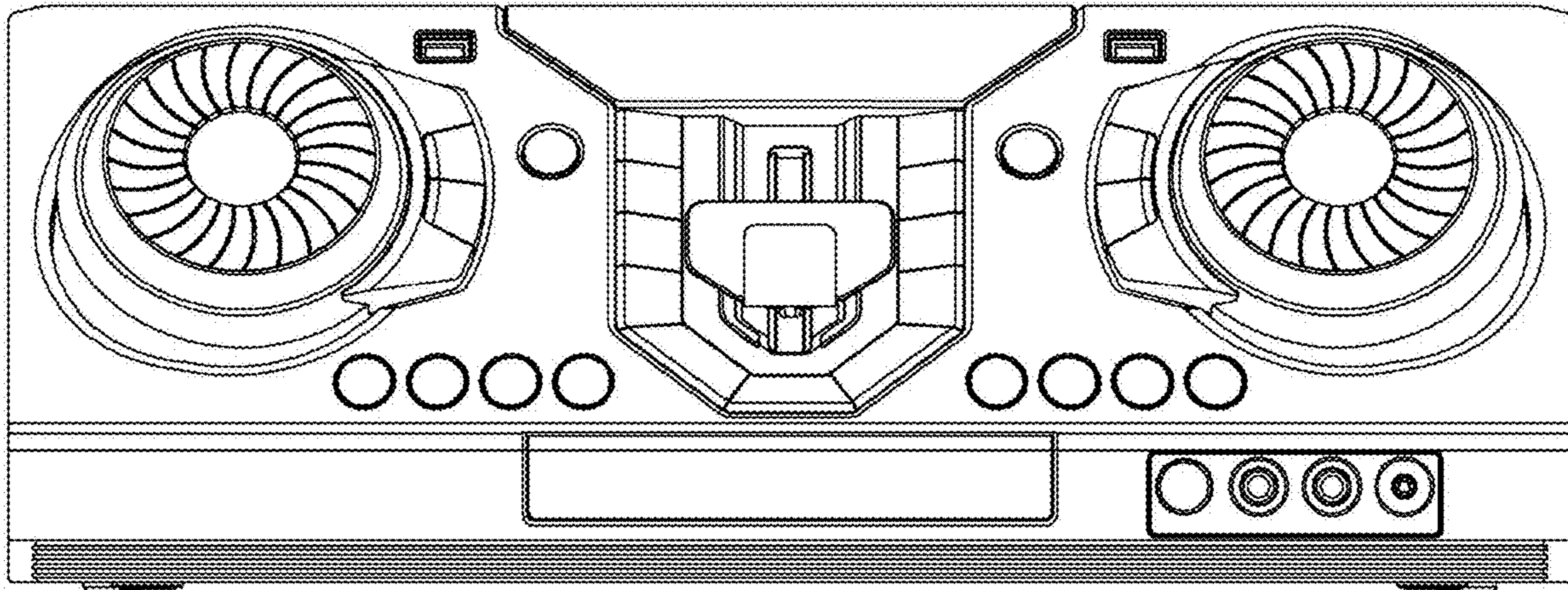
**1 Claim, 7 Drawing Sheets**



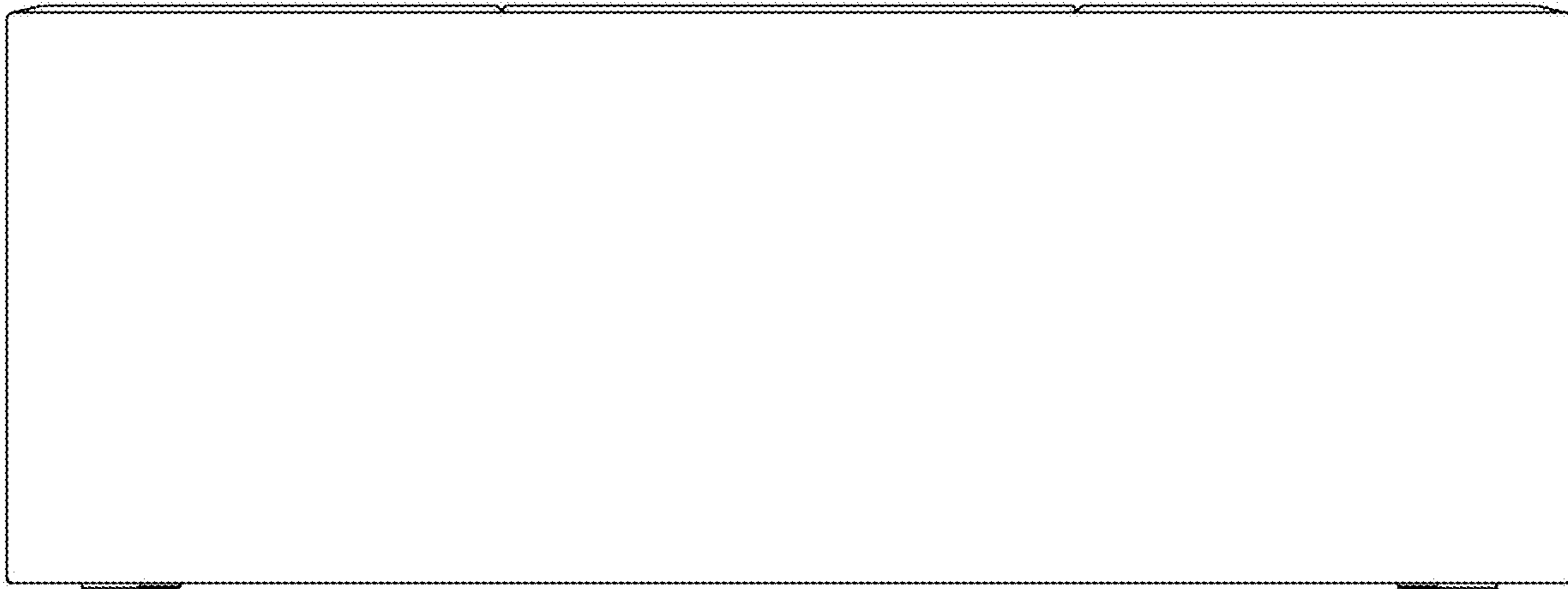
1.1



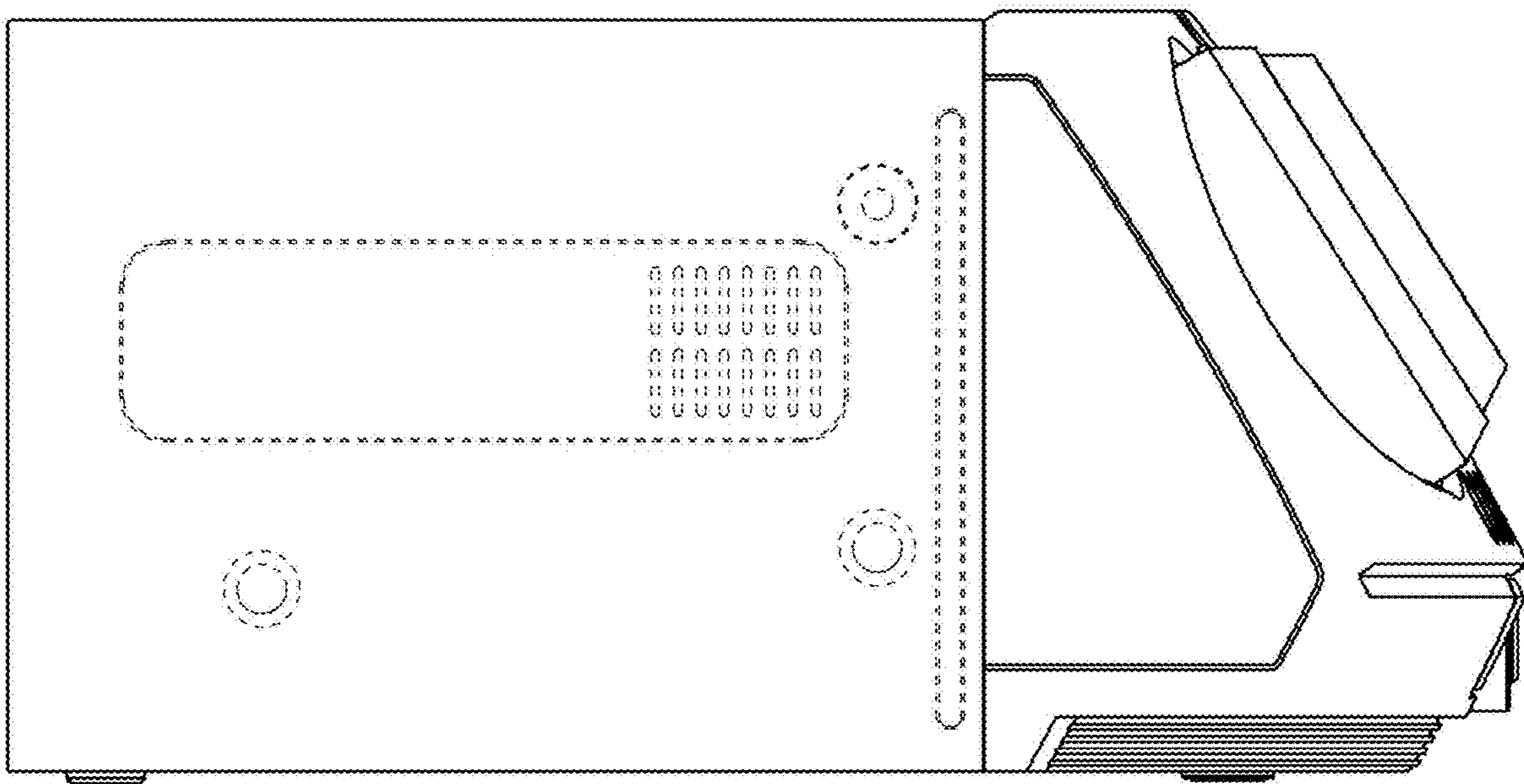
1.2



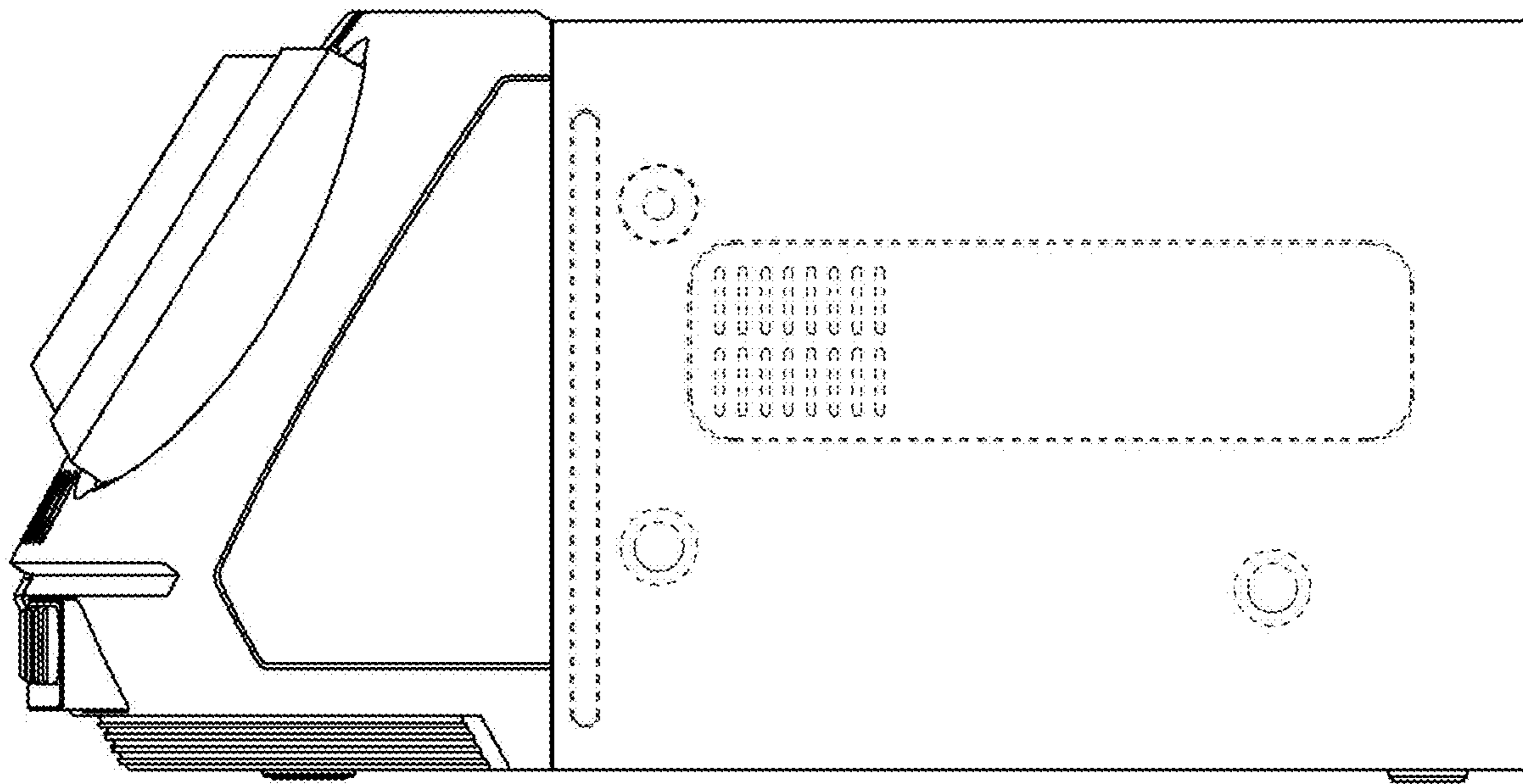
1.3



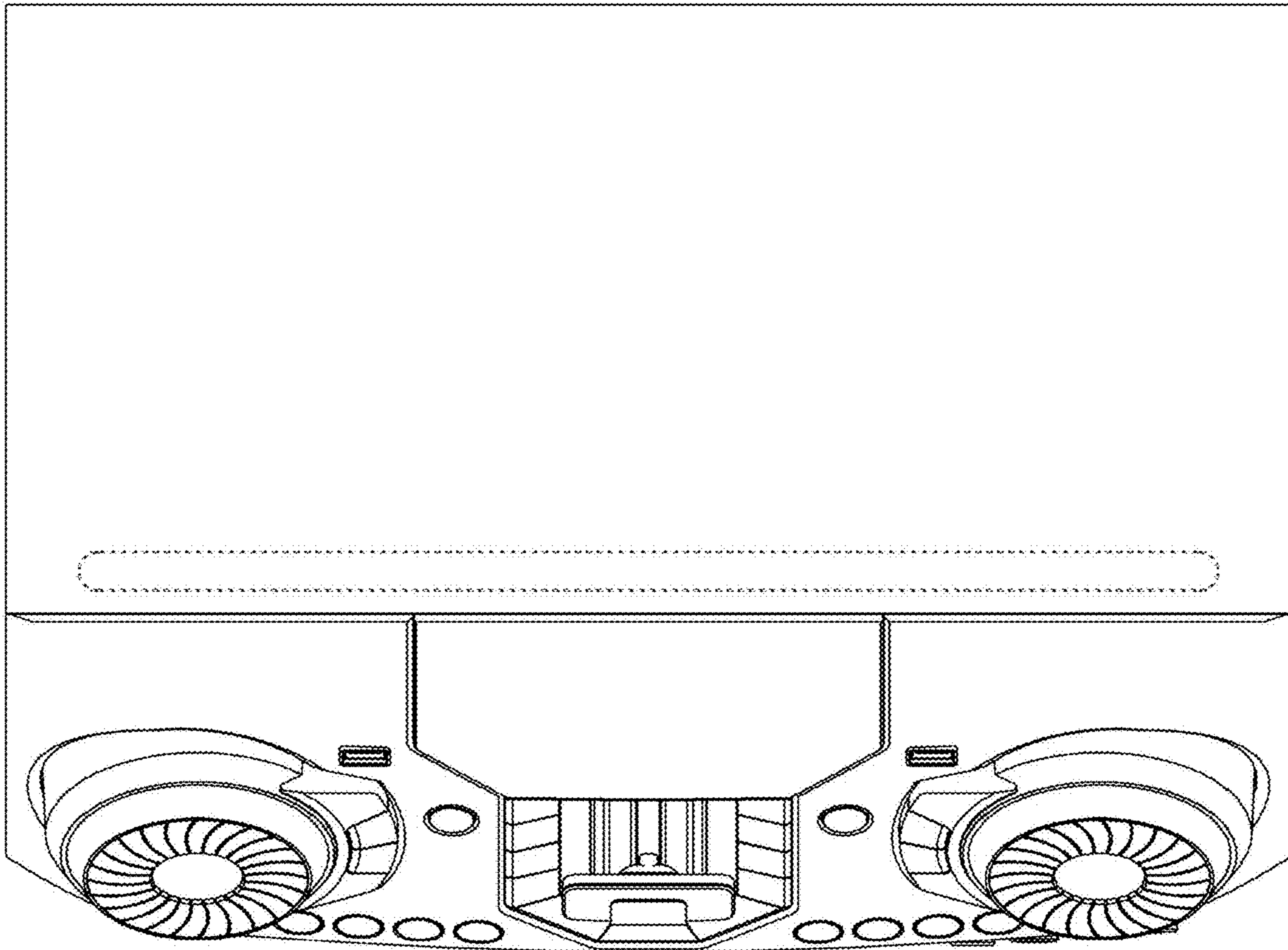
1.4



1.5



1.6



1.7

