

US00D890714S

(12) **United States Design Patent** (10) **Patent No.:** **US D890,714 S**  
**Ma et al.** (45) **Date of Patent:** **\*\* Jul. 21, 2020**

(54) **MOBILE PHONE**

(71) Applicant: **HUAWEI TECHNOLOGIES CO., LTD.**, Shenzhen (CN)

(72) Inventors: **Liang Ma**, Shenzhen (CN); **Hungyi Huang**, Shanghai (CN)

(73) Assignee: **HUAWEI TECHNOLOGIES CO., LTD.**, Shenzhen (CN)

(\*\*) Term: **15 Years**

(21) Appl. No.: **29/678,004**

(22) Filed: **Jan. 25, 2019**

(30) **Foreign Application Priority Data**

Jul. 25, 2018 (CN) ..... 2018 3 0404289

(51) **LOC (12) Cl.** ..... **14-03**

(52) **U.S. Cl.**  
USPC ..... **D14/138 AB**

(58) **Field of Classification Search**  
USPC .... D14/138 G, 138 AB, 248, 341, 371, 374, D14/432, 439, 496, 125, 126, 138 R, D14/138 AA, 138 AC, 138 AD, 138 C, D14/247  
CPC ..... H04M 1/0202; H04M 1/0235; H04M 1/0237; H04M 1/0239; H04M 1/0266; H04M 1/0268; H04M 1/027; H04M 1/0295  
See application file for complete search history.

(56) **References Cited**

U.S. PATENT DOCUMENTS

D622,687 S \* 8/2010 Lee ..... D14/138 AA  
D681,000 S \* 4/2013 Koh ..... D14/203.4  
D681,054 S \* 4/2013 Koh ..... D14/496  
D708,180 S \* 7/2014 Lee ..... D14/345

D716,751 S \* 11/2014 Lee ..... D14/138 AB  
D724,582 S \* 3/2015 Kim ..... D14/341  
D749,573 S \* 2/2016 Park ..... D14/203.4  
D767,530 S \* 9/2016 Bae ..... D14/203.3  
D769,209 S \* 10/2016 Byun ..... D14/138 AB  
D772,225 S \* 11/2016 Kacin ..... D14/341  
D774,496 S \* 12/2016 Kim ..... D14/250  
D783,608 S \* 4/2017 Park ..... D14/203.4  
D786,210 S \* 5/2017 Lee ..... D14/138 AB  
D786,254 S \* 5/2017 Yum ..... D14/138 G  
D790,537 S \* 6/2017 Bae ..... D14/138 AB  
D791,725 S \* 7/2017 Lee ..... D14/138 AB  
9,733,744 B2 \* 8/2017 Lee ..... G06F 3/0412  
D798,257 S \* 9/2017 Choo ..... D14/138 AB  
D800,112 S \* 10/2017 Park ..... D14/345  
D814,455 S \* 4/2018 Kwon ..... D14/341  
9,933,819 B2 \* 4/2018 Kim ..... G06F 1/1652  
D819,628 S \* 6/2018 Park ..... D14/345  
D839,267 S \* 1/2019 Park ..... D14/345  
D875,091 S \* 2/2020 Kwon ..... D14/341  
2014/0285476 A1 \* 9/2014 Cho ..... G06F 1/1601  
345/204

(Continued)

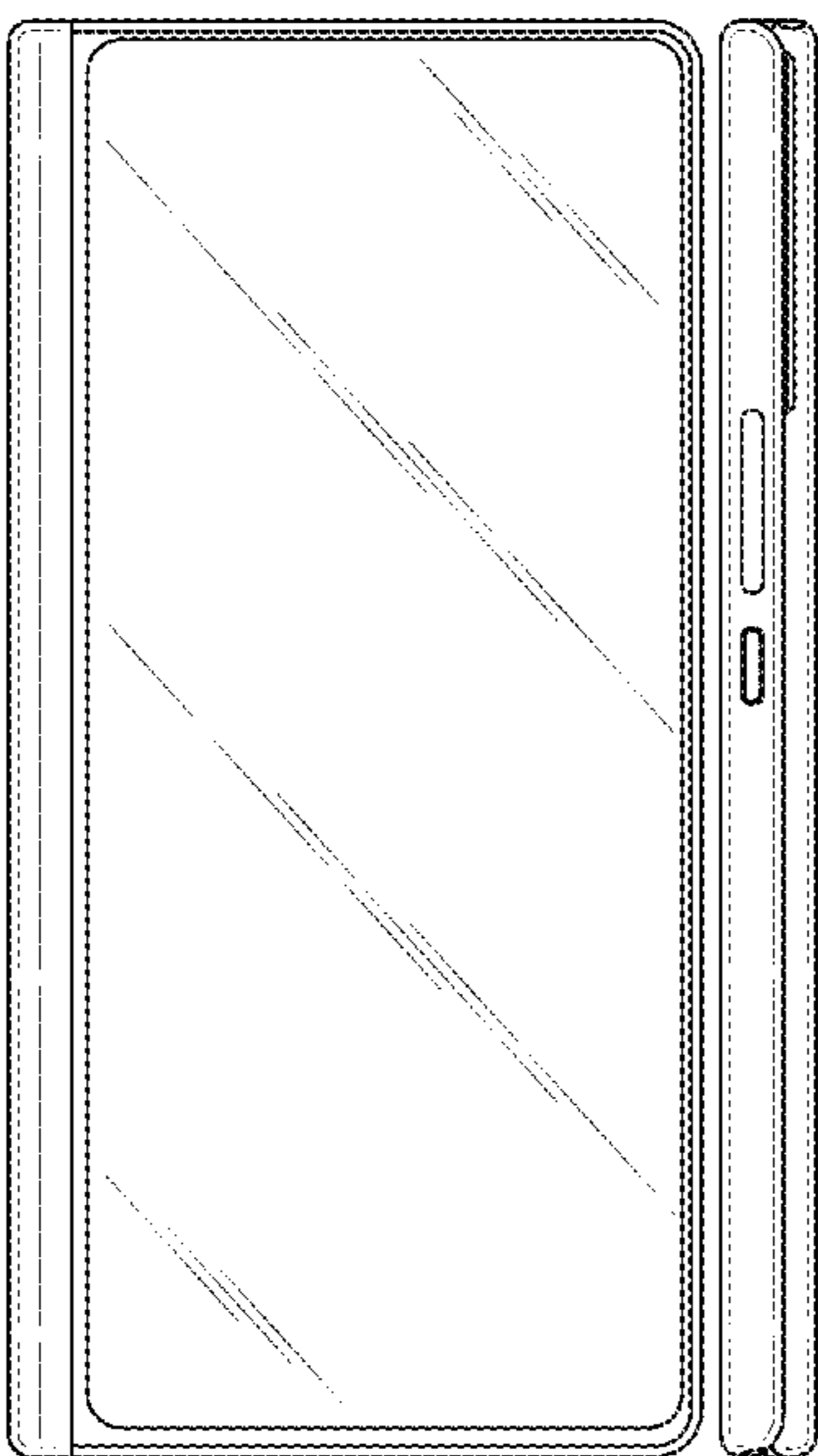
*Primary Examiner* — Bridget L Eland  
(74) *Attorney, Agent, or Firm* — Kilpatrick Townsend & Stockton LLP

(57) **CLAIM**  
The ornamental design for a mobile phone, as shown and described.

**DESCRIPTION**

FIG. 1 is a perspective view of a mobile phone, showing my new design;  
FIG. 2 is a top plan view thereof;  
FIG. 3 is a bottom plan view thereof;  
FIG. 4 is a front elevation view thereof;  
FIG. 5 is a rear elevation view thereof;  
FIG. 6 is a left side elevation view thereof; and,  
FIG. 7 is a right side elevation view thereof.  
FIG. 8 is a use state elevation view thereof.

**1 Claim, 4 Drawing Sheets**



(56)

**References Cited**

U.S. PATENT DOCUMENTS

2015/0338888 A1\* 11/2015 Kim ..... G06F 1/1677  
345/156

\* cited by examiner

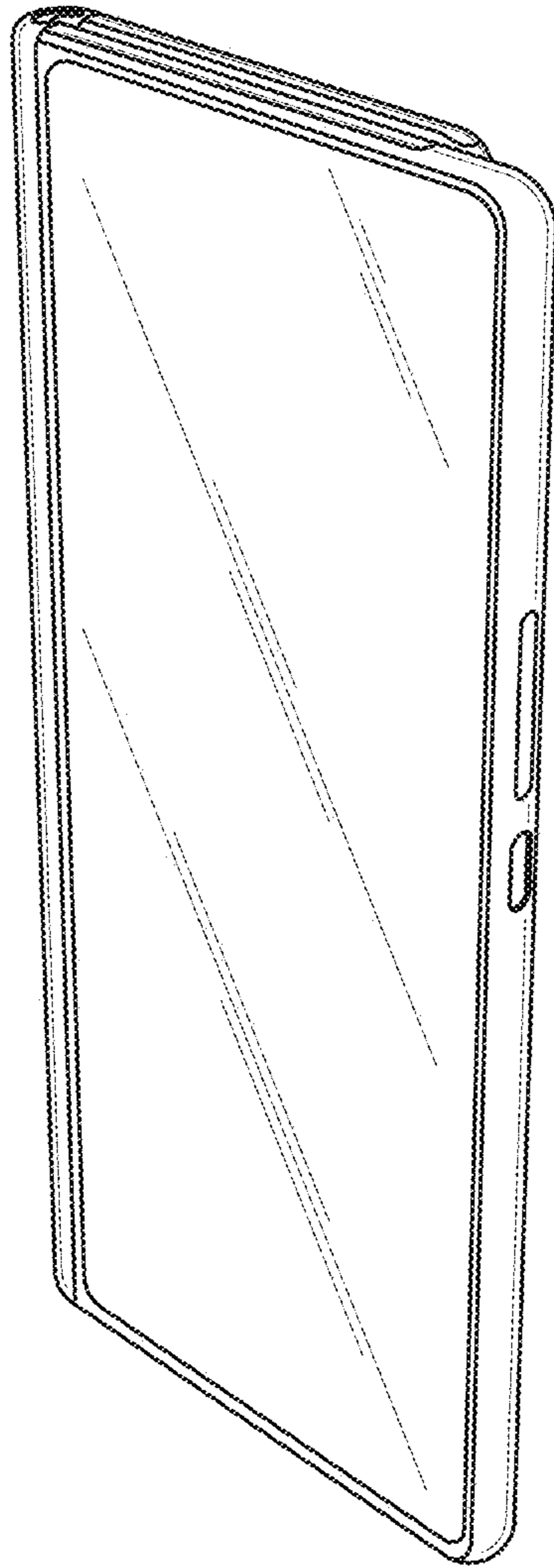


FIG. 1



FIG. 2



FIG. 3

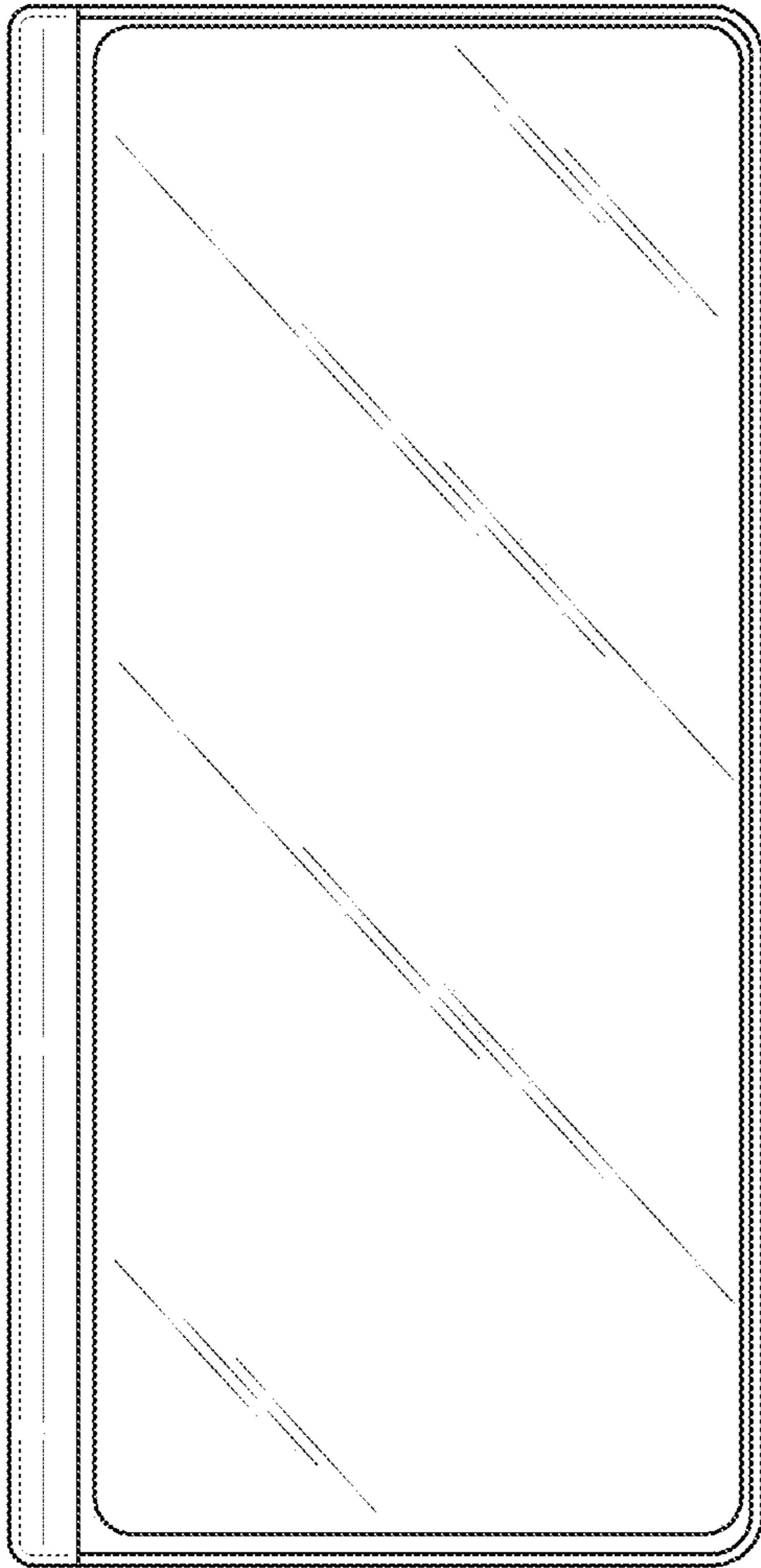


FIG. 4

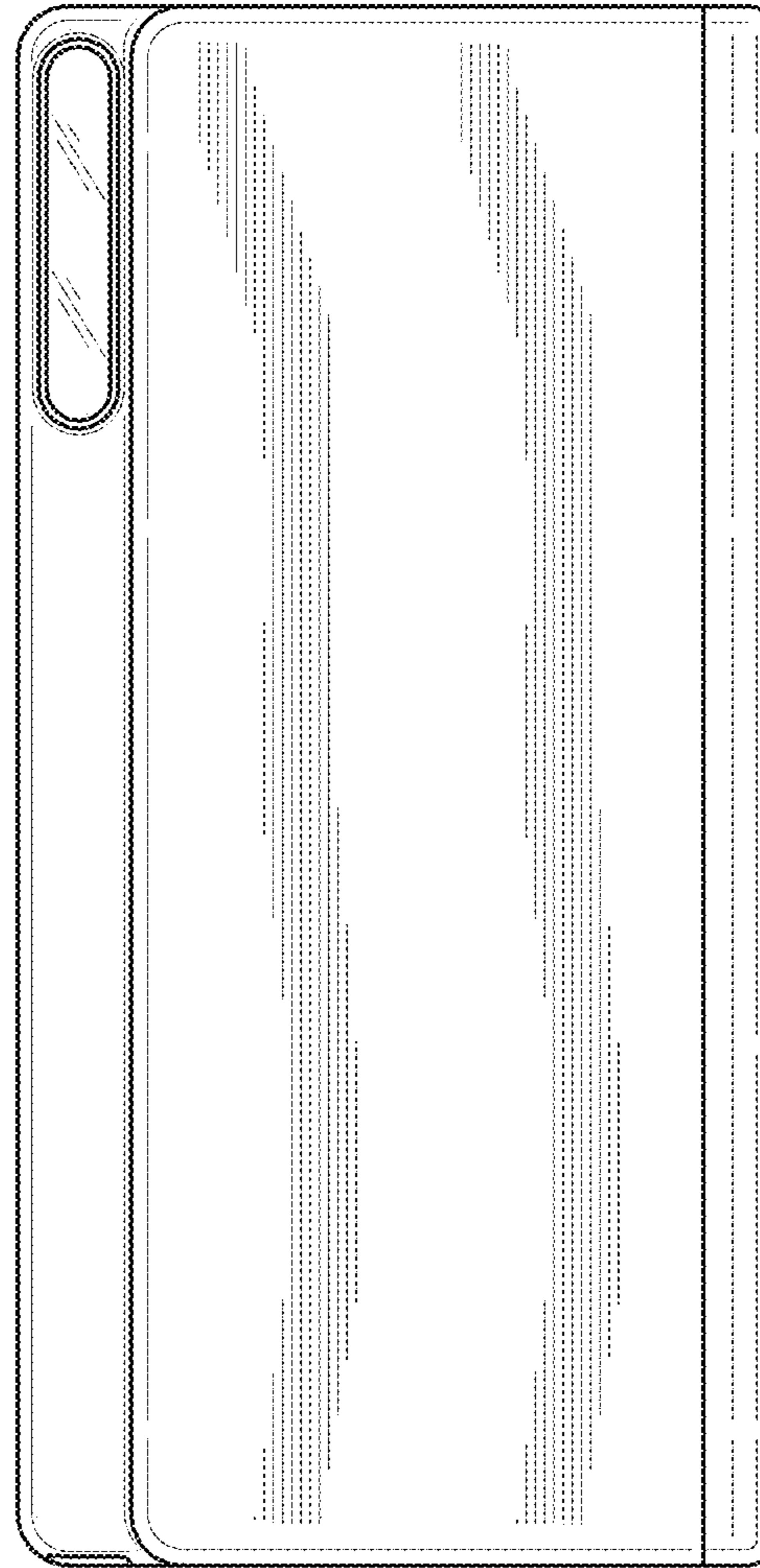


FIG. 5

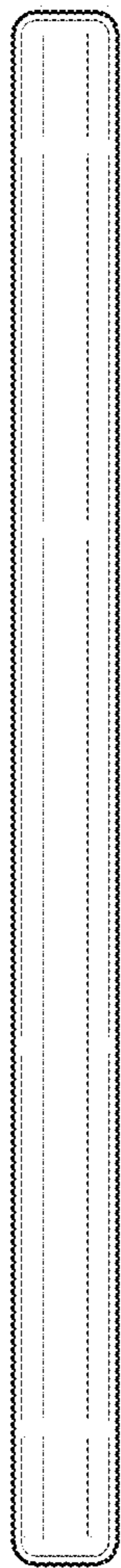


FIG. 6

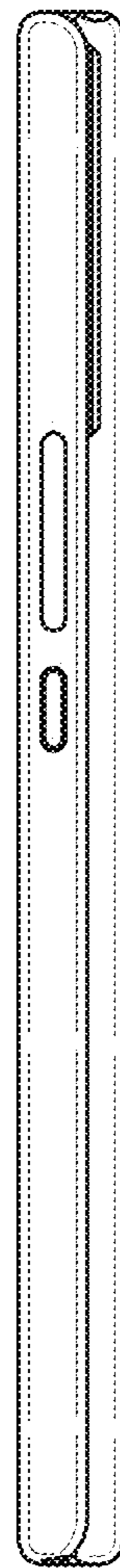


FIG. 7

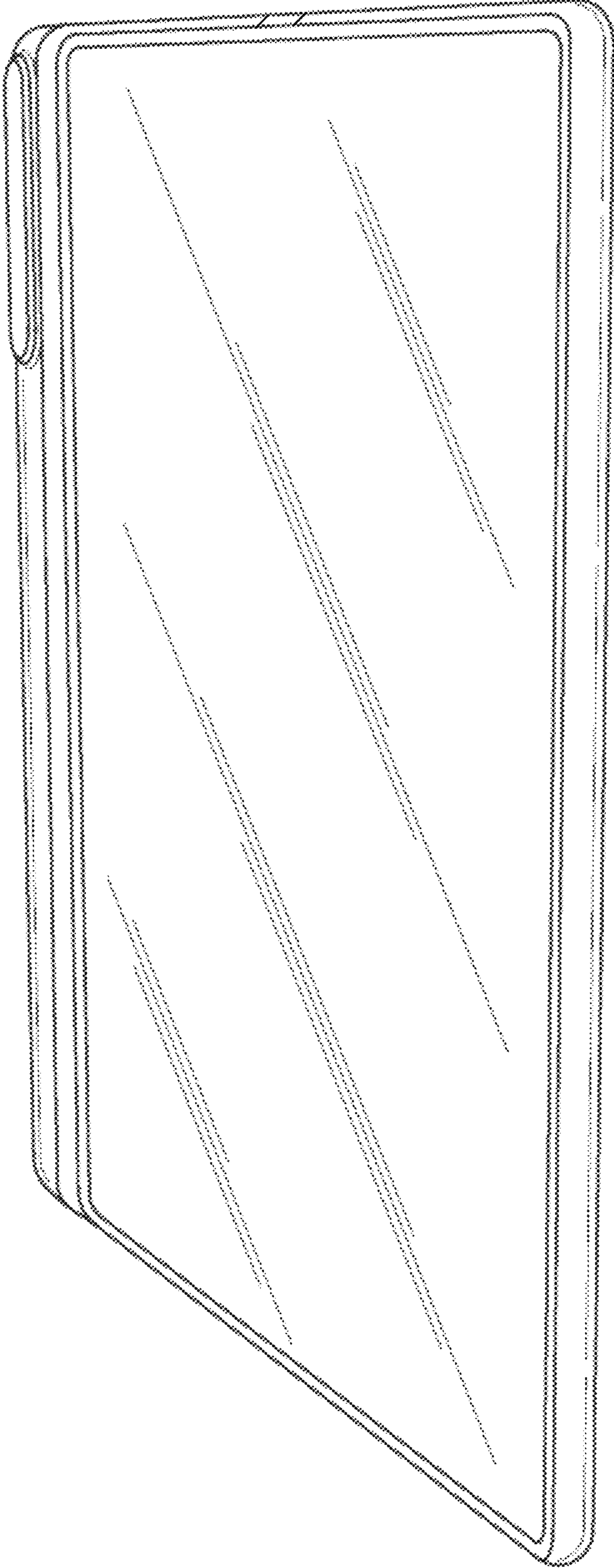


FIG. 8