



US00D890711S

(12) **United States Design Patent**
Lee et al.

(10) **Patent No.: US D890,711 S**
(45) **Date of Patent: ** Jul. 21, 2020**

(54) **HANDHELD COMMUNICATION DEVICE**

(71) Applicant: **MOTOROLA SOLUTIONS, INC.**,
Chicago, IL (US)

(72) Inventors: **Soon Hin Lee**, Penang (MY); **Lee Sun Ooi**,
Kulim (MY); **Weng Kong Hor**, Butterworth (MY)

(73) Assignee: **MOTOROLA SOLUTIONS, INC.**,
Chicago, IL (US)

(**) Term: **15 Years**

(21) Appl. No.: **29/679,815**

(22) Filed: **Feb. 11, 2019**

(51) **LOC (12) Cl.** **14-03**

(52) **U.S. Cl.**
USPC **D14/137**

(58) **Field of Classification Search**
USPC D14/137, 138 R, 138 AA
CPC .. H04B 1/3833; H04B 1/3827; H04B 1/3855;
H04B 2001/3861; H04M 1/0202; H04M
1/03; H04M 1/035
See application file for complete search history.

(56) **References Cited**

U.S. PATENT DOCUMENTS

D654,035 S	2/2012	Ismail et al.	
D730,866 S *	6/2015	Aihsan	D14/188
D761,223 S *	7/2016	Oikawa	D14/137
D818,451 S *	5/2018	Takahashi	D14/137

D876,379 S *	2/2020	Aihsan	D14/137
2010/0238196 A1 *	9/2010	Hinterberger	H04B 1/3833 345/649
2015/0222311 A1 *	8/2015	Teoh	H05K 9/005 455/90.3
2015/0381333 A1 *	12/2015	Tennant	H04M 1/03 370/278

* cited by examiner

Primary Examiner — Bridget L Eland

(74) *Attorney, Agent, or Firm* — Raguraman Kumaresan

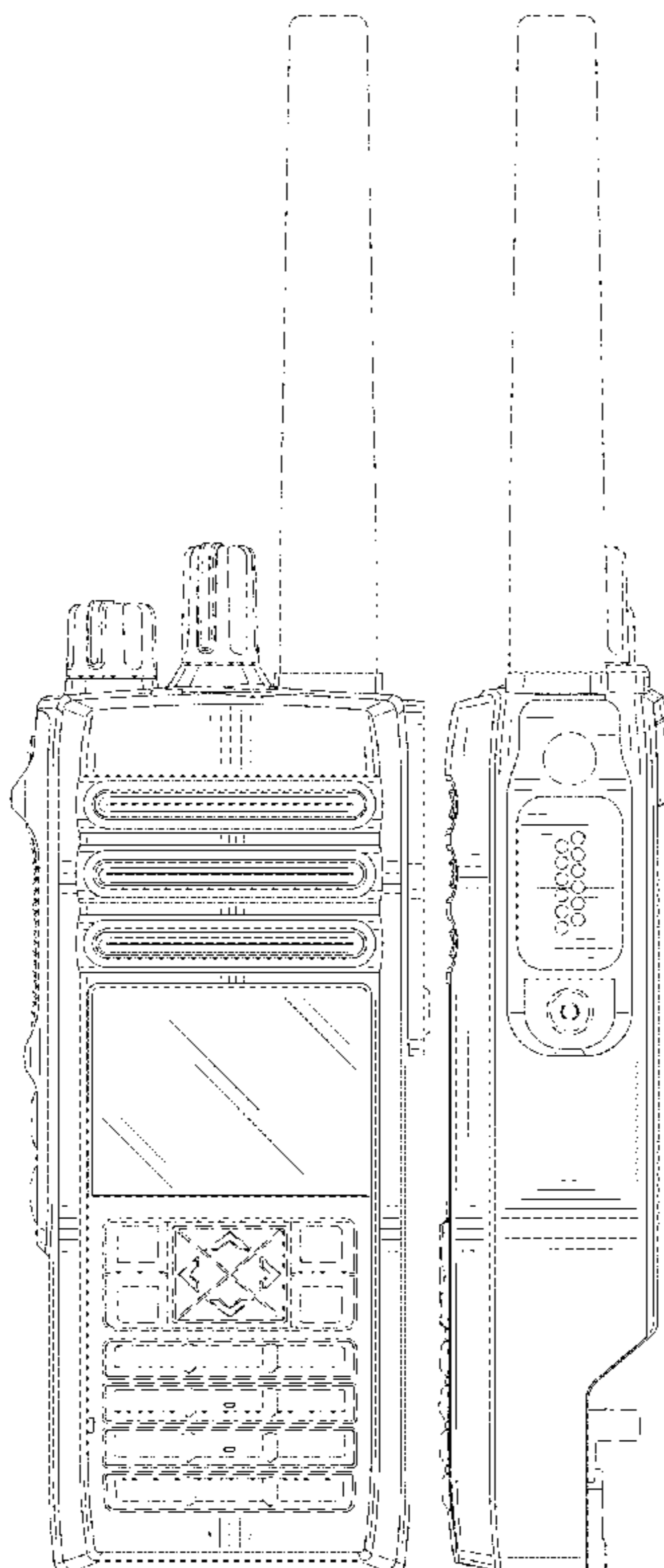
(57) **CLAIM**

The ornamental design for a handheld communication device, as shown and described.

DESCRIPTION

FIG. 1 is a front perspective view of a handheld communication device showing our new design; FIG. 2 is a rear perspective view of the first embodiment thereof; FIG. 3 is a front view of the first embodiment thereof; FIG. 4 is a rear view of the first embodiment thereof; FIG. 5 is a first side view of the first embodiment thereof; FIG. 6 is a second side view of the first embodiment thereof; FIG. 7 is a top view of the first embodiment thereof; and, FIG. 8 is a bottom view of the first embodiment thereof. The broken lines shown in FIGS. 1-8, that are immediately adjacent to the shaded areas, and define the unshaded regions, are for illustrative purposes only; the portions shown in broken lines form part of the article but do not form a part of the claimed design.

1 Claim, 7 Drawing Sheets



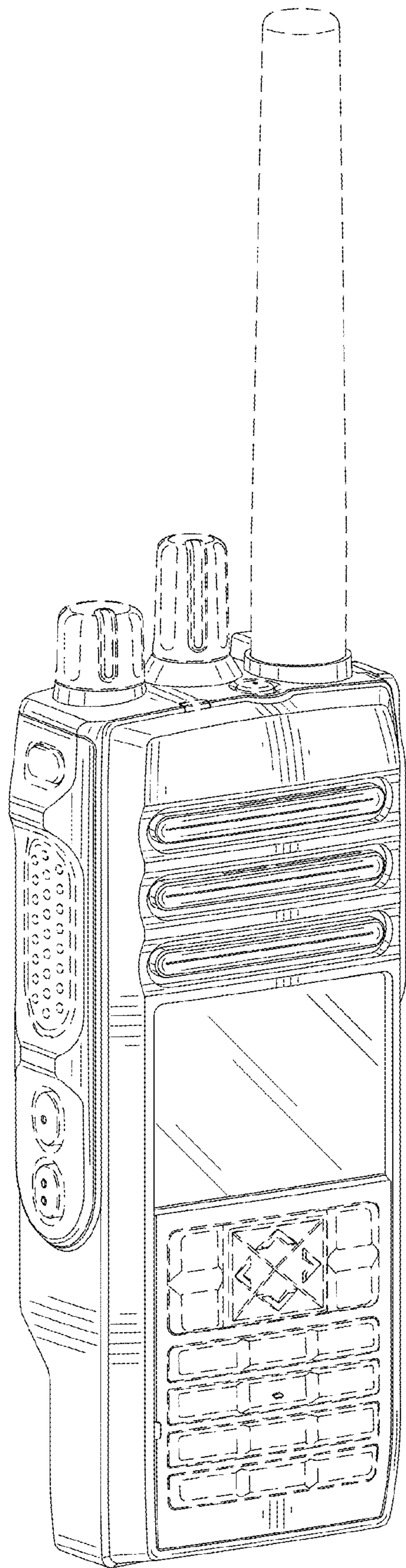


FIG. 1

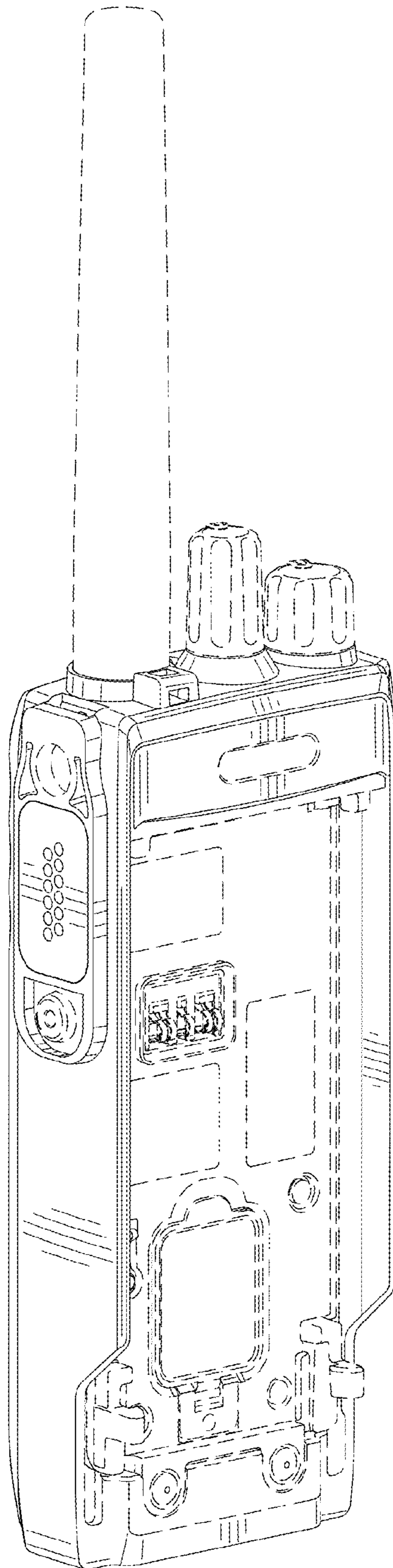


FIG. 2

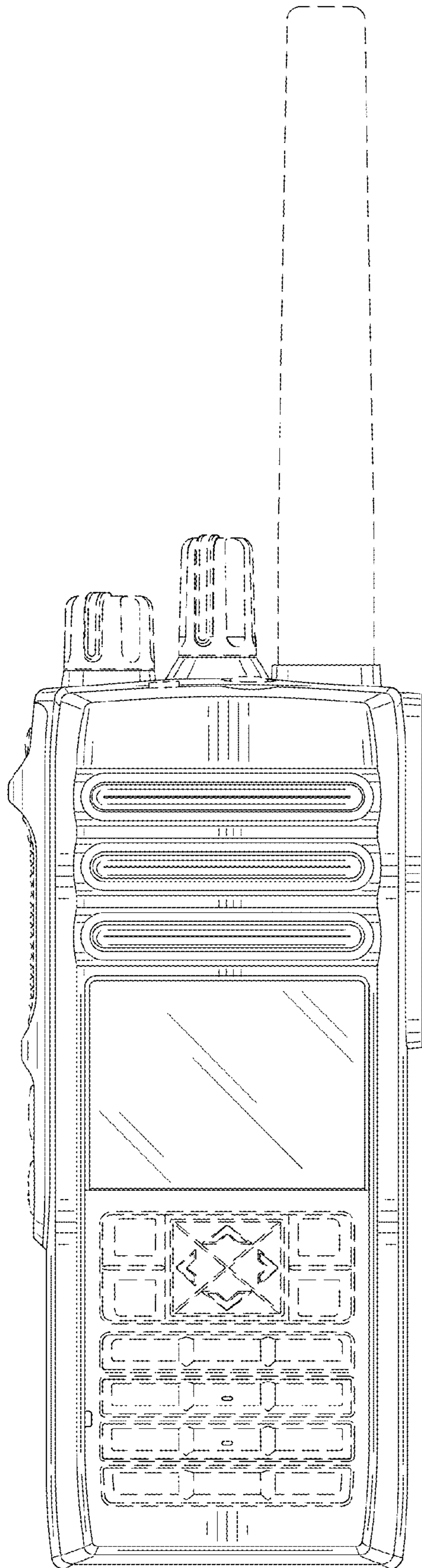


FIG. 3

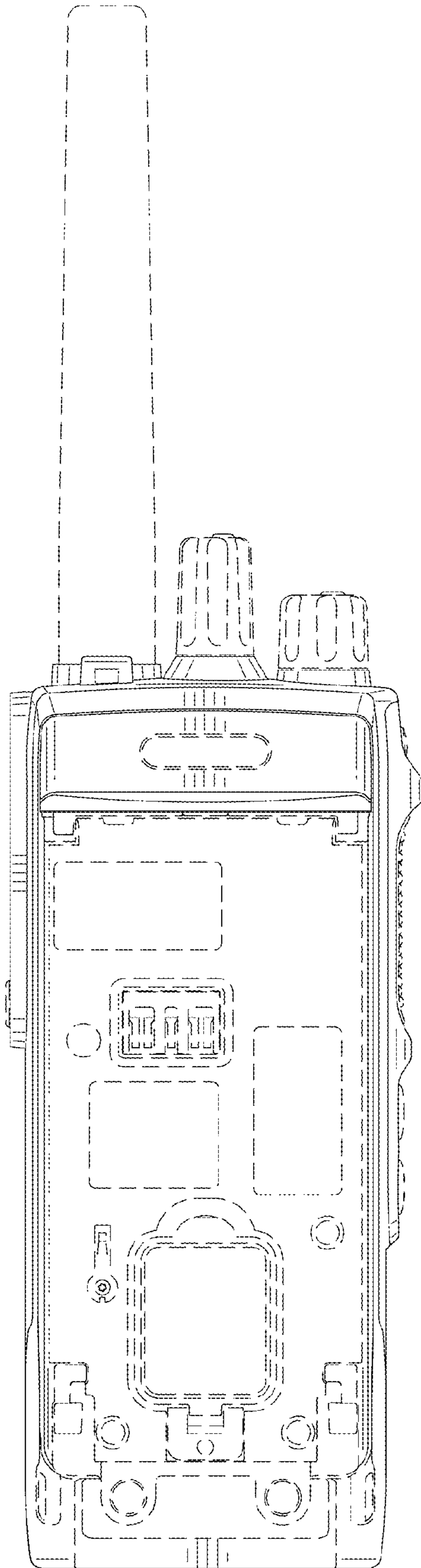


FIG. 4

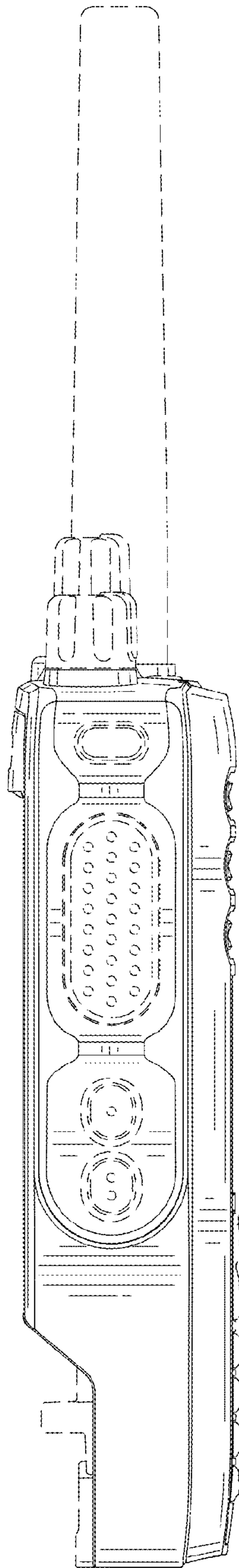


FIG. 5

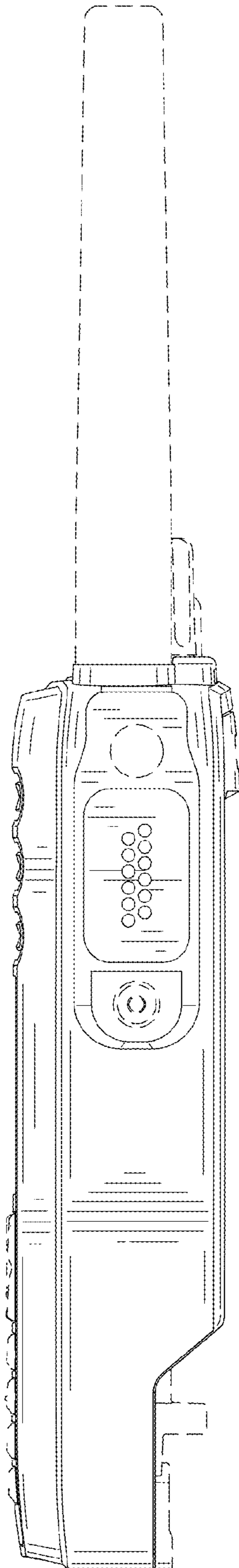


FIG. 6

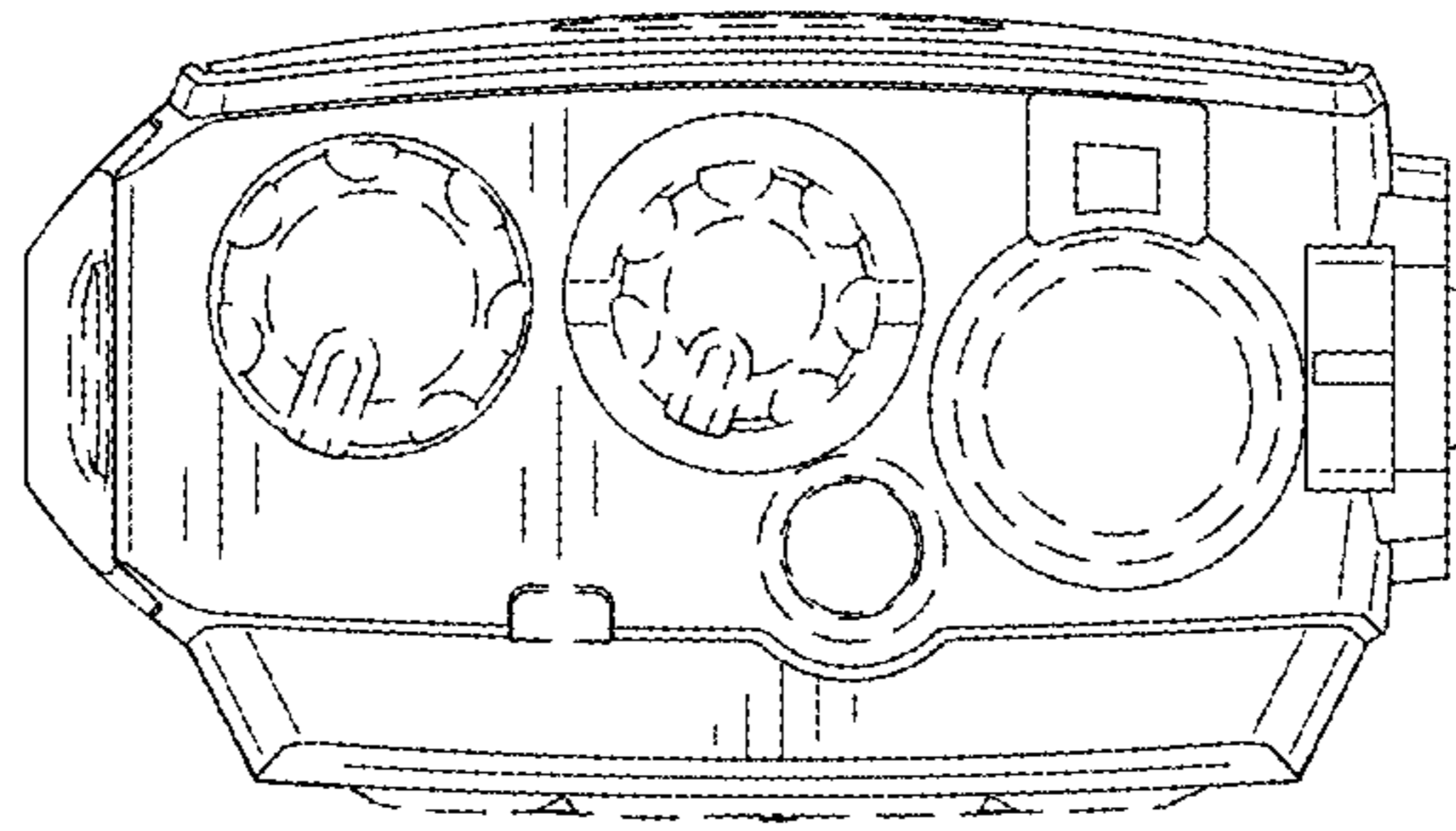


FIG. 7

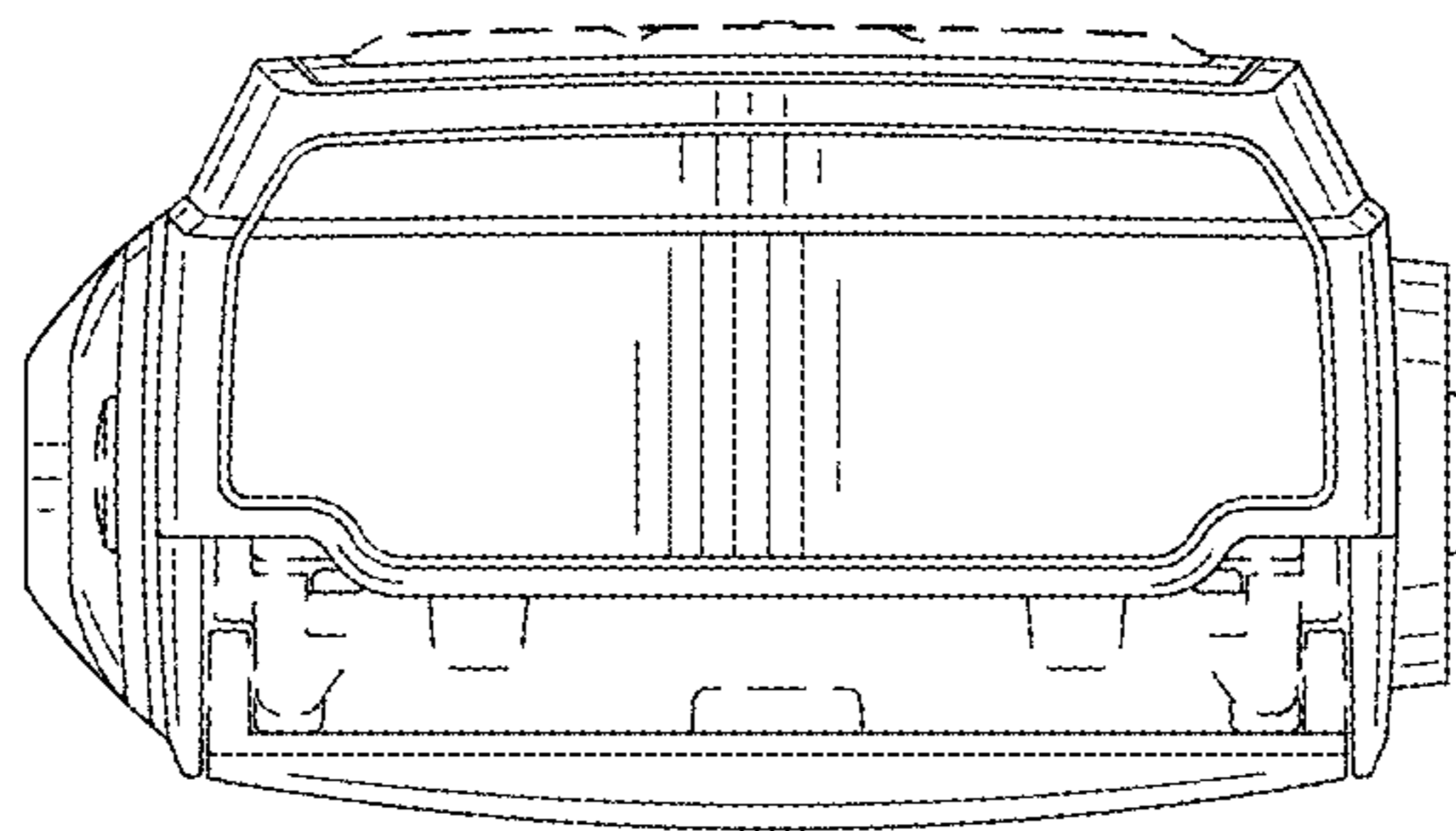


FIG. 8