



US00D890710S

(12) **United States Design Patent**
Bakshi

(10) **Patent No.:** **US D890,710 S**
(45) **Date of Patent:** **** Jul. 21, 2020**

(54) **MODULAR VIDEO WALL**

(71) Applicant: **Shared Space Studios LLC**, Bethesda, MD (US)

(72) Inventor: **Amar Chopra Bakshi**, Bethesda, MD (US)

(73) Assignee: **Shared Space Studios LLC**, Brooklyn, NY (US)

(**) Term: **15 Years**

(21) Appl. No.: **29/605,437**

(22) Filed: **May 25, 2017**

(51) **LOC (12) Cl.** **14-03**

(52) **U.S. Cl.**
USPC **D14/126**

(58) **Field of Classification Search**
USPC D14/125-134, 239, 371, 136, 374-377,
D14/440, 450, 448, 336, 342, 159;
(Continued)

(56) **References Cited**

U.S. PATENT DOCUMENTS

D618,644 S * 6/2010 Graham D14/127
8,472,174 B2 * 6/2013 Idems G09F 9/30
361/679.21

(Continued)

Primary Examiner — Michael A. Pratt

(74) *Attorney, Agent, or Firm* — Patent Law Works LLP

(57) **CLAIM**

The ornamental design for a modular video wall, as shown and described.

DESCRIPTION

FIG. 1 is a front and side perspective view of a modular video wall in accordance with a first embodiment of the

present design, with a single display screen with a camera centrally positioned in the upper half of the display screen; FIG. 2 is a blown-up perspective view of the camera shown in FIG. 1, illustrating the camera oriented with a slight tilt downward;

FIG. 3 is a front and side perspective view of a modular video wall in accordance with a second embodiment of the present design, with a single display screen and a camera positioned at the edge in the upper half of the display screen; FIG. 4 is blown-up perspective view of the camera shown in FIG. 3, illustrating the camera positioning in FIG. 3, with a slight title downward;

FIG. 5 is a front and side perspective view of a modular video wall in accordance with a third embodiment of the present design, with two display screens and an on-screen camera positioned between the two screens, the camera embedded between the bezels, illustrating a person standing in front of the modular video wall;

FIG. 6 is a blown-up perspective view of the on-screen camera shown in FIG. 5, illustrating the camera positioning in FIG. 5, with a slight tilt downward.

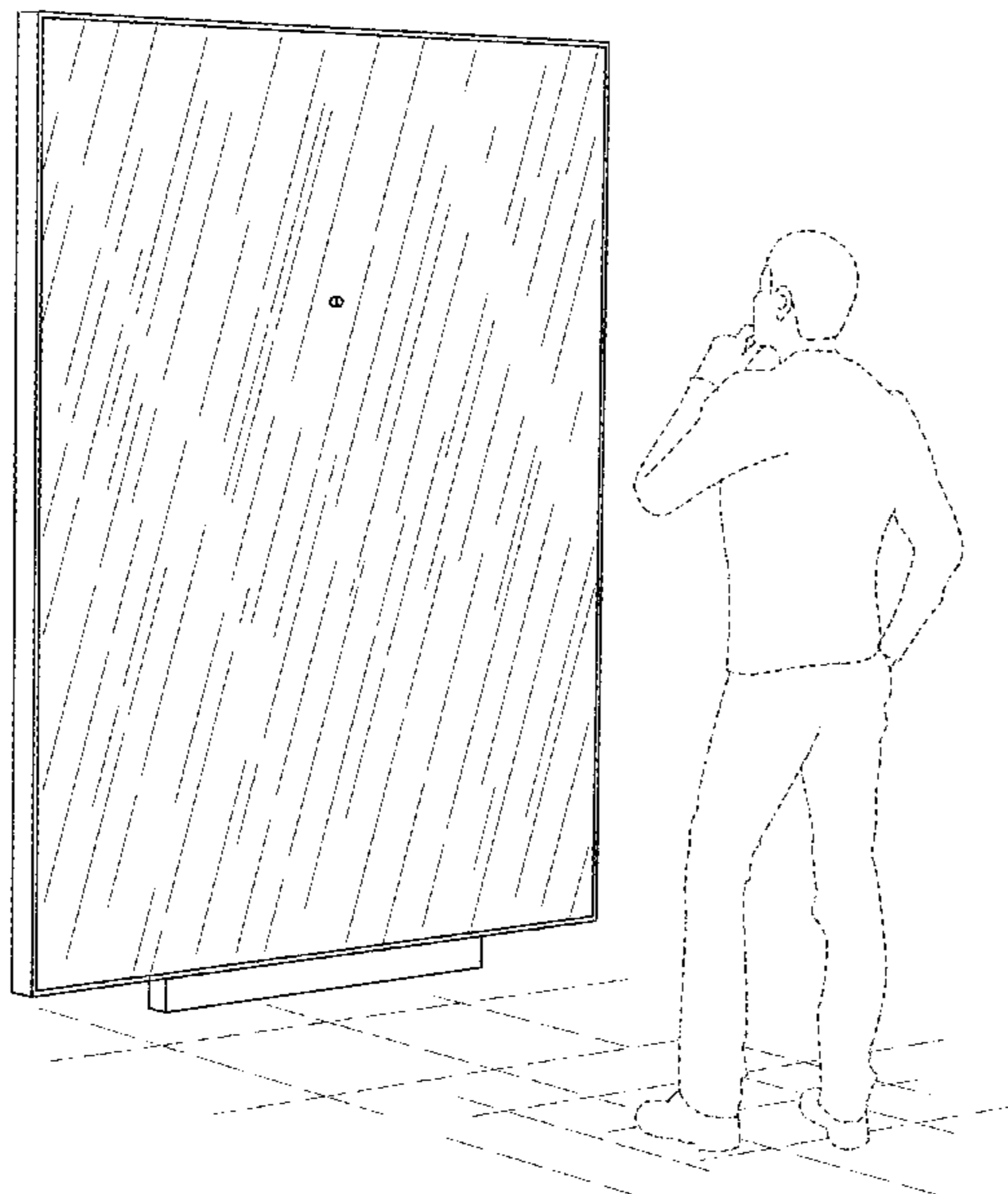
FIG. 7 is a front and side perspective view of a modular video wall in accordance with a sixth embodiment of the present design, providing a panoramic display with three display screens arranged adjacent each other, with an on-screen camera positioned in the bezels of the display screens.

FIG. 8 is a blown-up perspective of the on-screen camera illustrated in FIG. 10, positioned between neighboring bezels of adjacent screens; and,

FIG. 9 is a front and side perspective view of a modular video wall design in accordance with a seventh embodiment of the present design, serving as a portal screen bridge.

The illustrations in the drawings that are shown in broken lines are environment structure that is not part of the design.

1 Claim, 5 Drawing Sheets



(58) **Field of Classification Search**

USPC 312/7.2; 348/836, 838, 180, 184, 325,
348/739; 248/917-924, 465; 345/104,
345/133, 156, 168, 87, 173; D21/329,
D21/515, 577, 622, 333, 433, 448, 452,
D21/450, 331, 505; D10/15, 26;
446/484, 175, 356; D6/477, 479, 300;
D20/10, 19, 39
CPC ... G06F 1/1601; G06F 1/1643; H05K 5/0004;
H05K 5/0017; H05K 5/02; H05K 5/0217;
H04N 13/0459

See application file for complete search history.

(56) **References Cited**

U.S. PATENT DOCUMENTS

D755,745 S * 5/2016 Williams D14/126
D758,108 S * 6/2016 Do D6/678
D771,582 S * 11/2016 Williams D14/127

* cited by examiner

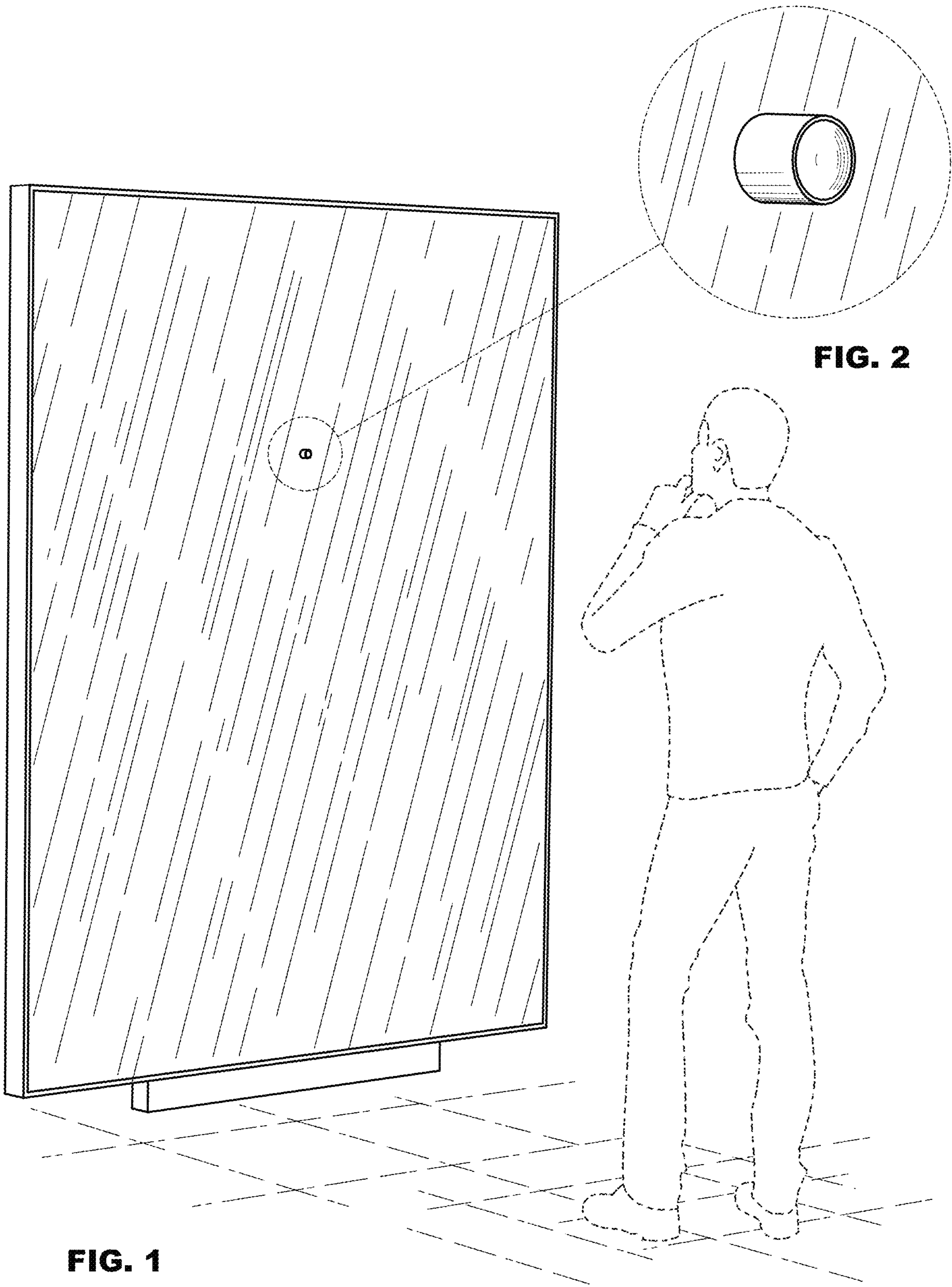


FIG. 1

FIG. 2

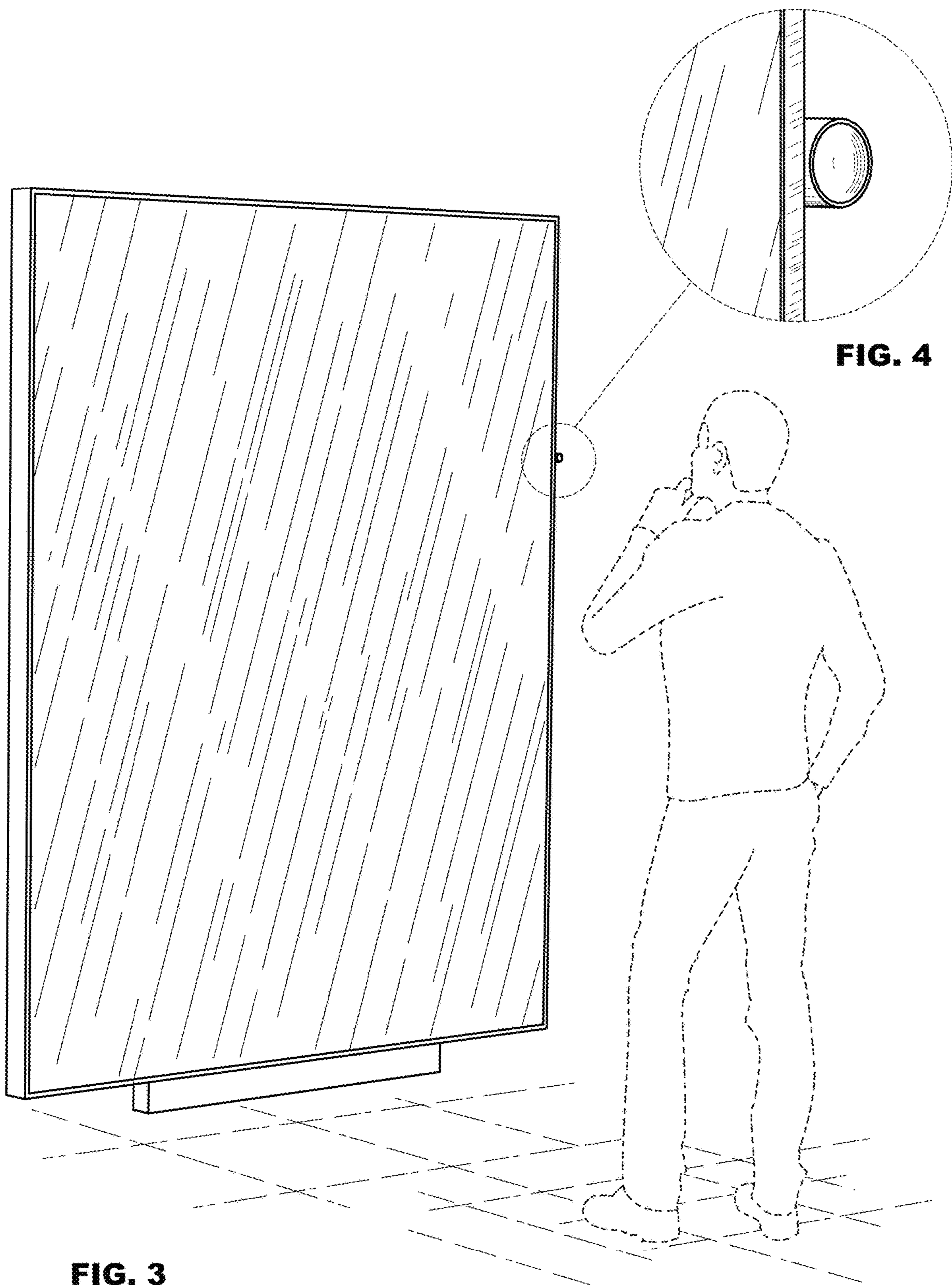


FIG. 3

FIG. 4

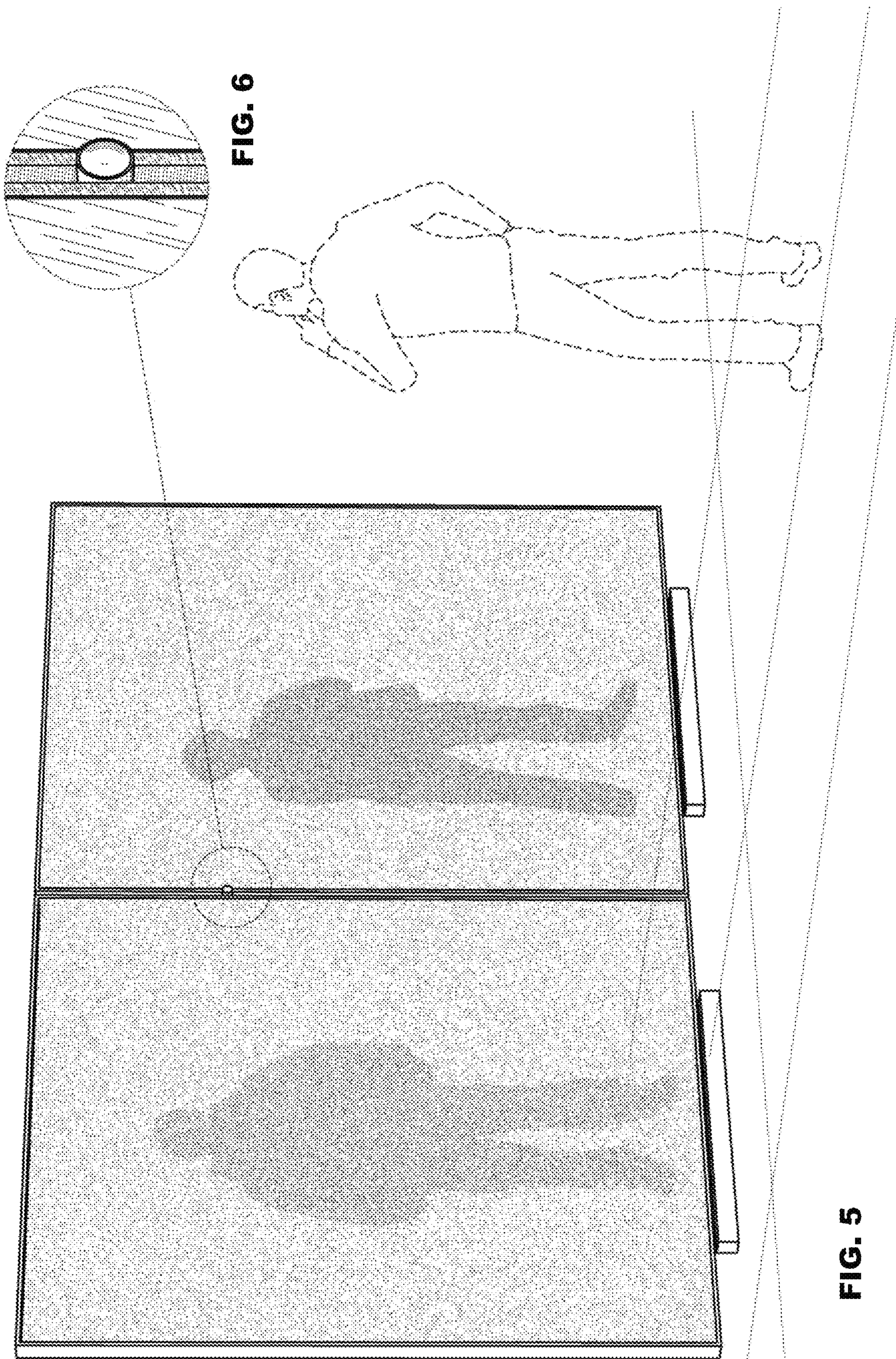


FIG. 6

FIG. 5

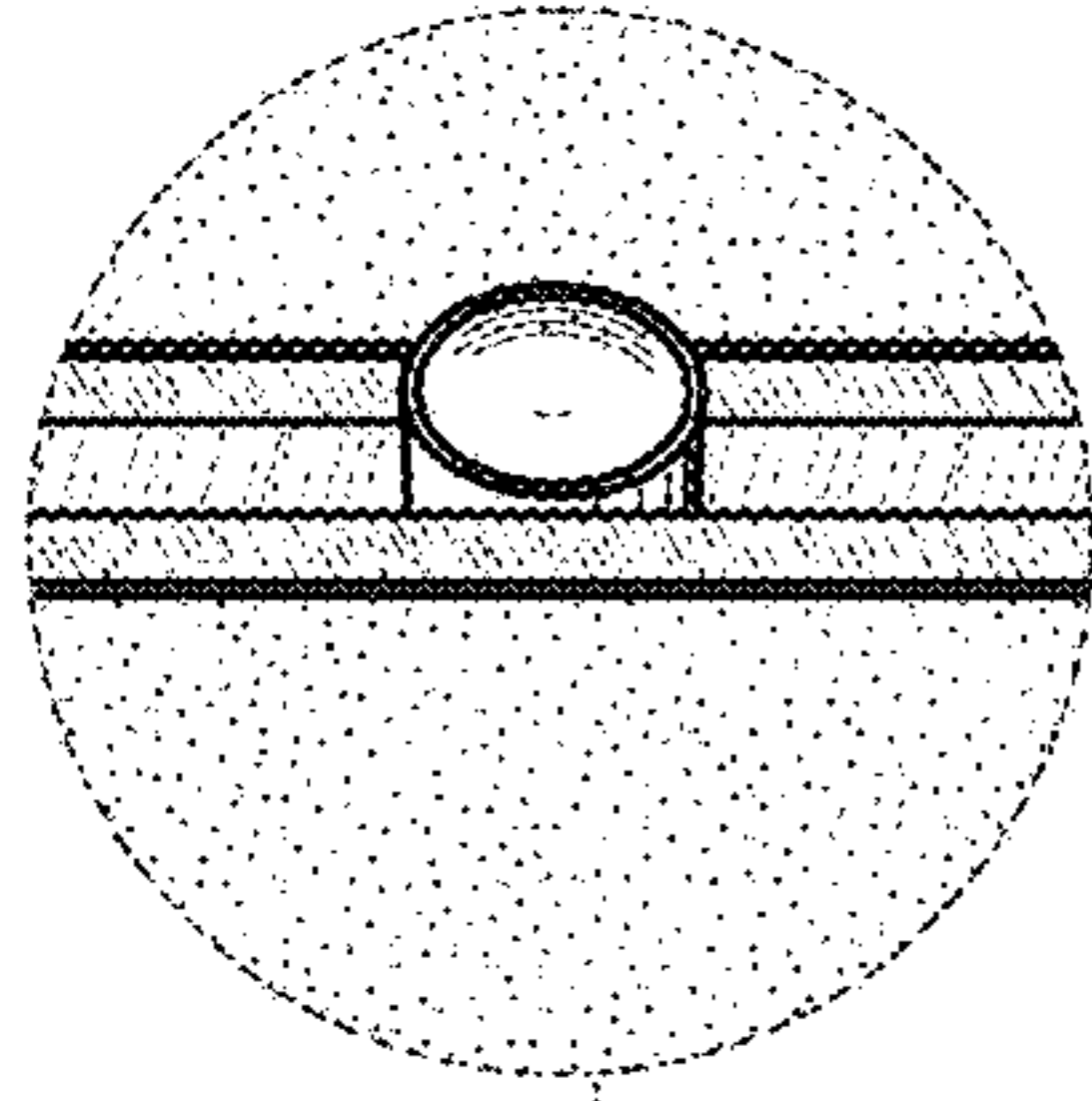


FIG. 8

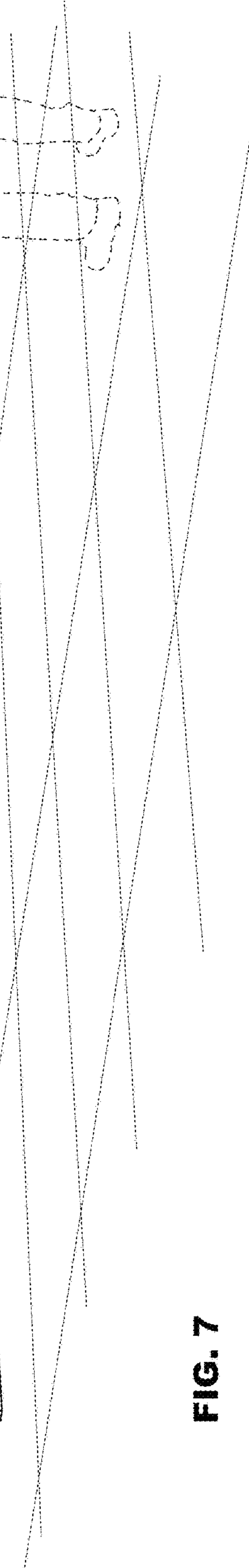
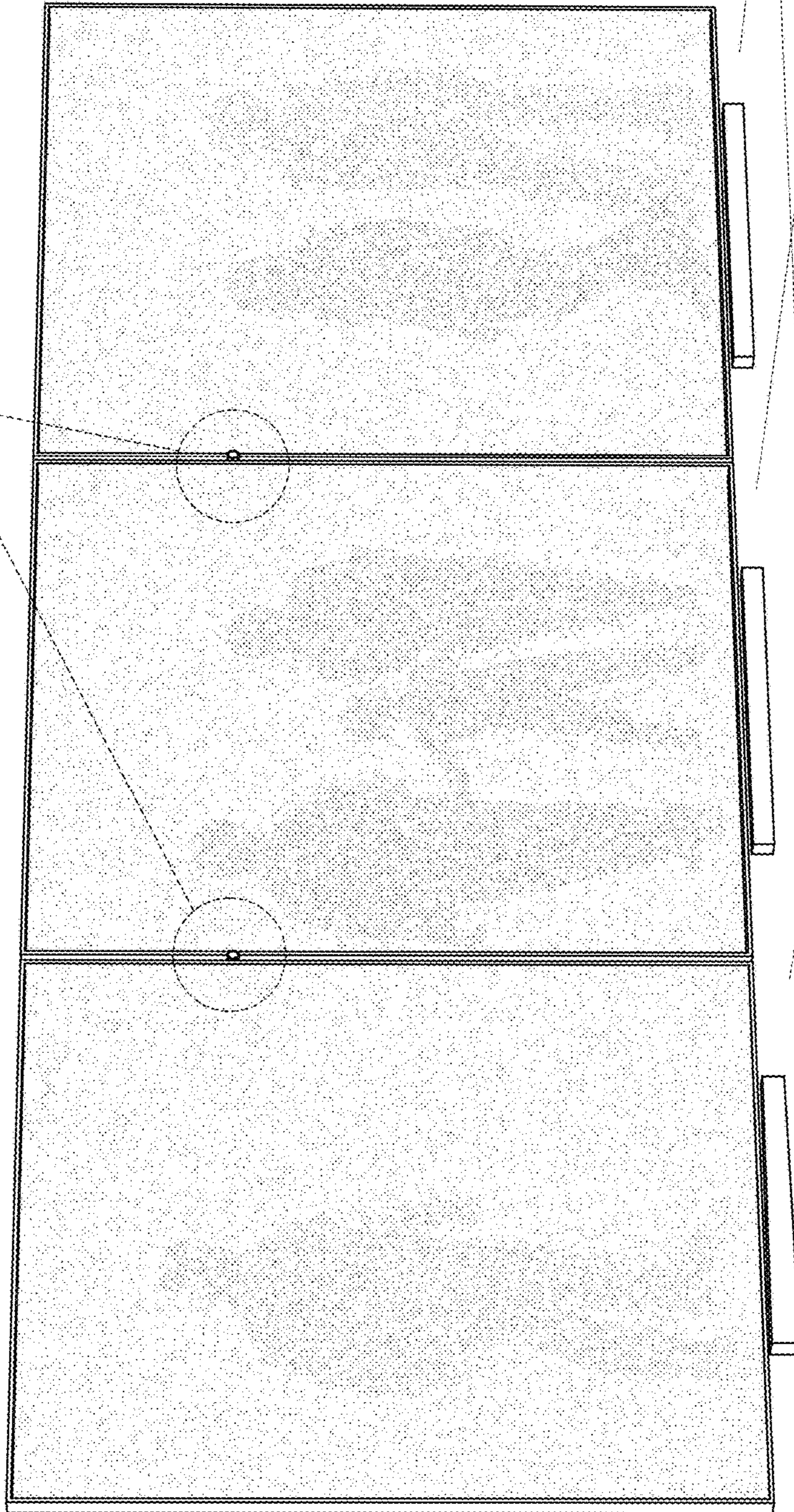
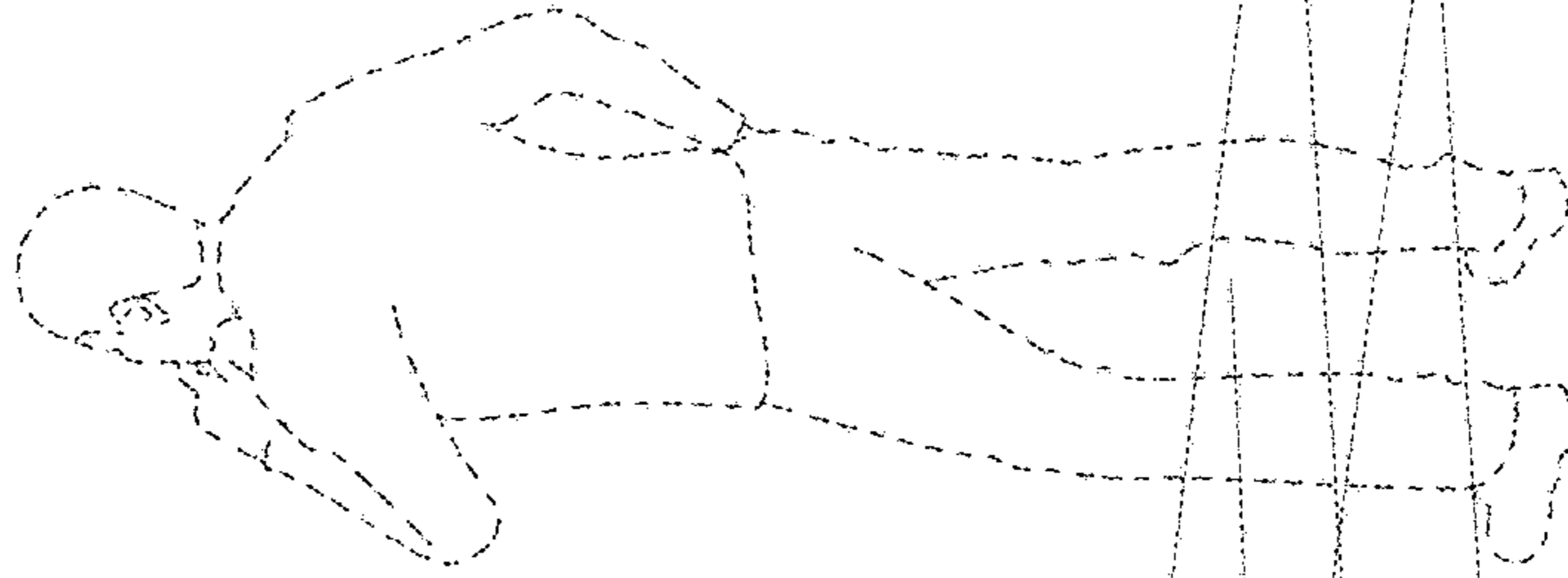


FIG. 7

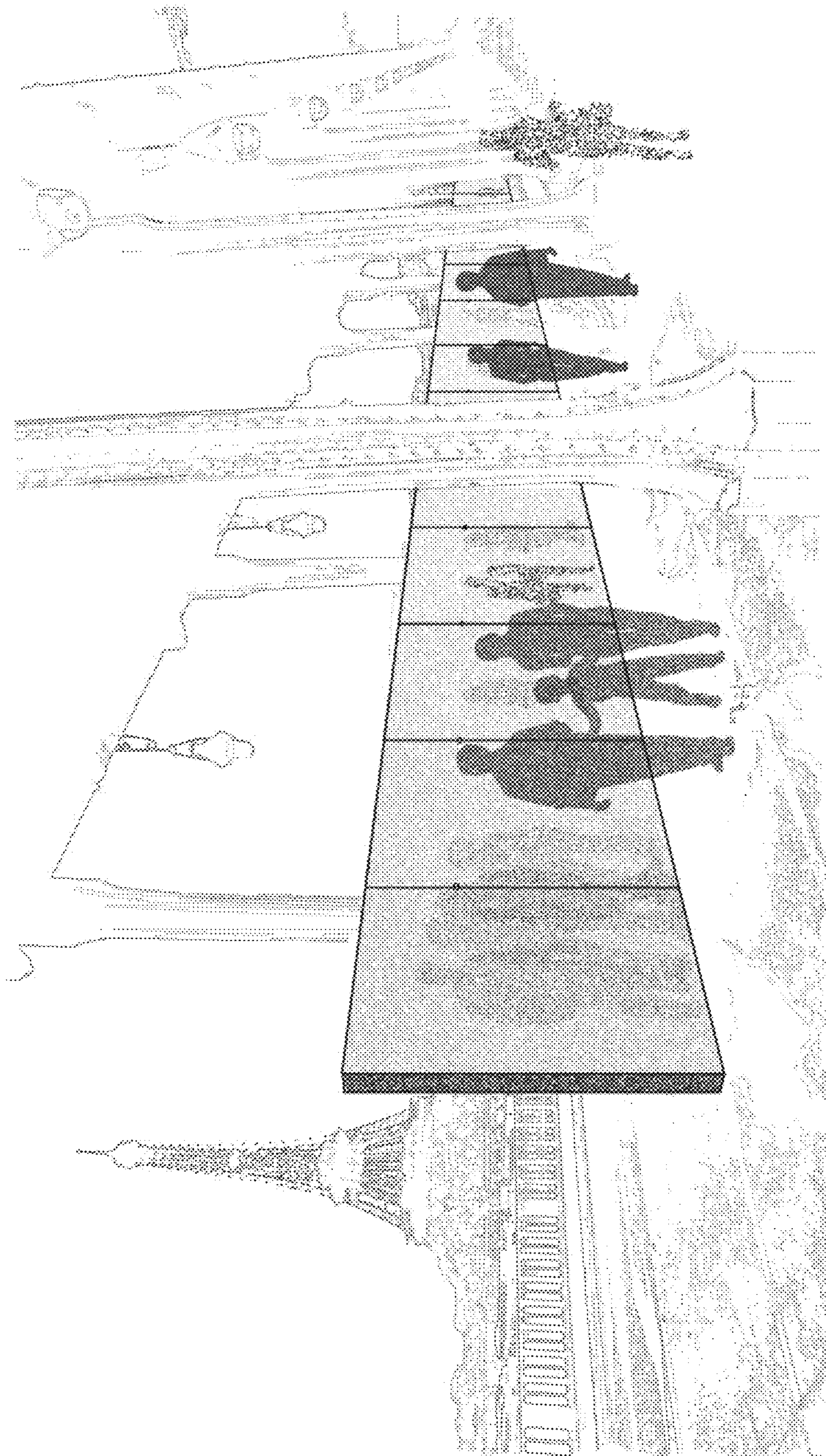


FIG. 9