



US00D890709S

(12) **United States Design Patent**  
**Lim**

(10) **Patent No.:** **US D890,709 S**

(45) **Date of Patent:** **\*\* Jul. 21, 2020**

(54) **CASE FOR A CIRCUIT BOARD**

(71) Applicant: **SAMSUNG ELECTRONICS CO., LTD.**, Suwon-si (KR)

(72) Inventor: **Gwangman Lim**, Seoul (KR)

(73) Assignee: **SAMSUNG ELECTRONICS CO., LTD.**, Suwon-si (KR)

(\*\*) Term: **15 Years**

(21) Appl. No.: **29/681,470**

(22) Filed: **Feb. 26, 2019**

(30) **Foreign Application Priority Data**

Aug. 29, 2018 (KR) ..... 30-2018-0040309

(51) **LOC (12) Cl.** ..... **13-03**

(52) **U.S. Cl.**  
USPC ..... **D13/184; D13/182**

(58) **Field of Classification Search**  
USPC ..... D13/118, 133, 146, 147, 154, 158-160,  
D13/173, 182, 184, 199; D18/40, 43, 56  
CPC ..... B41J 2/175; H01H 11/00; H01H 50/00;  
H01R 13/00; H05K 5/00; H05K 5/02;  
H05K 5/03; H05K 7/14; H05K 9/00  
See application file for complete search history.

(56) **References Cited**

**U.S. PATENT DOCUMENTS**

D209,209 S \* 11/1967 Gryctko ..... D13/160  
D253,341 S \* 11/1979 Barta, Jr. .... D13/160

D255,030 S \* 5/1980 Holce ..... D13/158  
D325,376 S \* 4/1992 Krasser ..... D13/158  
D450,304 S \* 11/2001 Daniels ..... D13/158  
D607,419 S \* 1/2010 Kurisaki ..... D13/158  
D626,173 S \* 10/2010 Inoue ..... 347/86  
D650,419 S \* 12/2011 Butler ..... D18/56  
D682,930 S \* 5/2013 Aoki ..... D18/56  
D767,673 S \* 9/2016 Nanjo ..... D18/56  
D875,173 S \* 2/2020 Naito ..... D18/56  
2015/0375512 A1\* 12/2015 Kondo ..... B41J 2/1752  
347/86  
2017/0339797 A1\* 11/2017 Guo ..... G11B 33/128

\* cited by examiner

*Primary Examiner* — Angela J Lee

*Assistant Examiner* — Shawn T Gingrich

(74) *Attorney, Agent, or Firm* — Sughrue Mion, PLLC

(57) **CLAIM**

The ornamental design for a case for a circuit board, as shown and described.

**DESCRIPTION**

FIG. 1 is a perspective view of a case for a circuit board showing our new design.

FIG. 2 is a front elevation view thereof.

FIG. 3 is a rear elevation view thereof.

FIG. 4 is a left side elevation view thereof.

FIG. 5 is a right side elevation view thereof.

FIG. 6 is a top plan view thereof.

FIG. 7 is a bottom plan view thereof; and,

FIG. 8 is a perspective view of a case for a circuit board shown in an example environment.

The broken lines are for environmental purposes only and form no part of the claimed design.

**1 Claim, 6 Drawing Sheets**

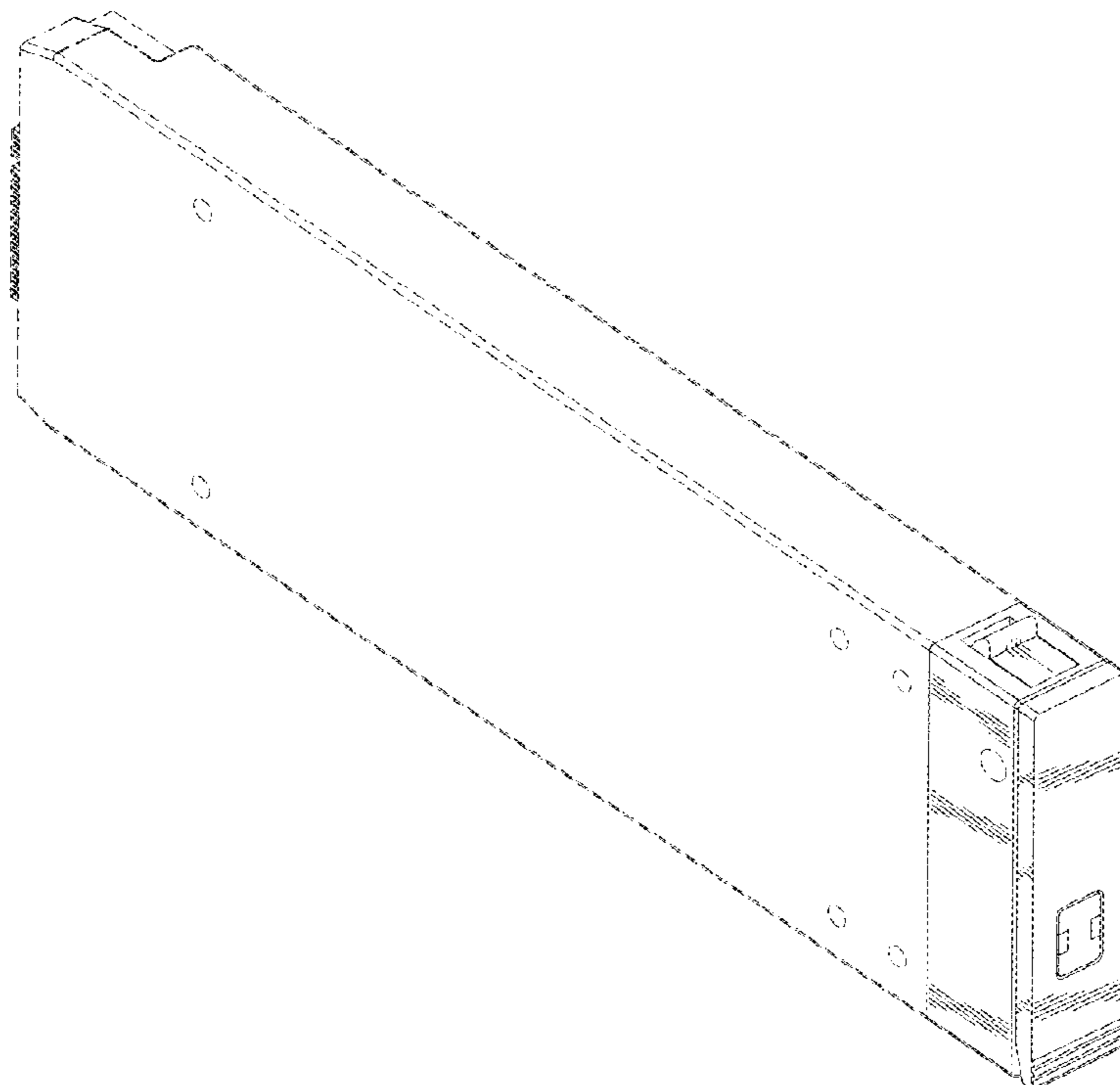


FIG. 1

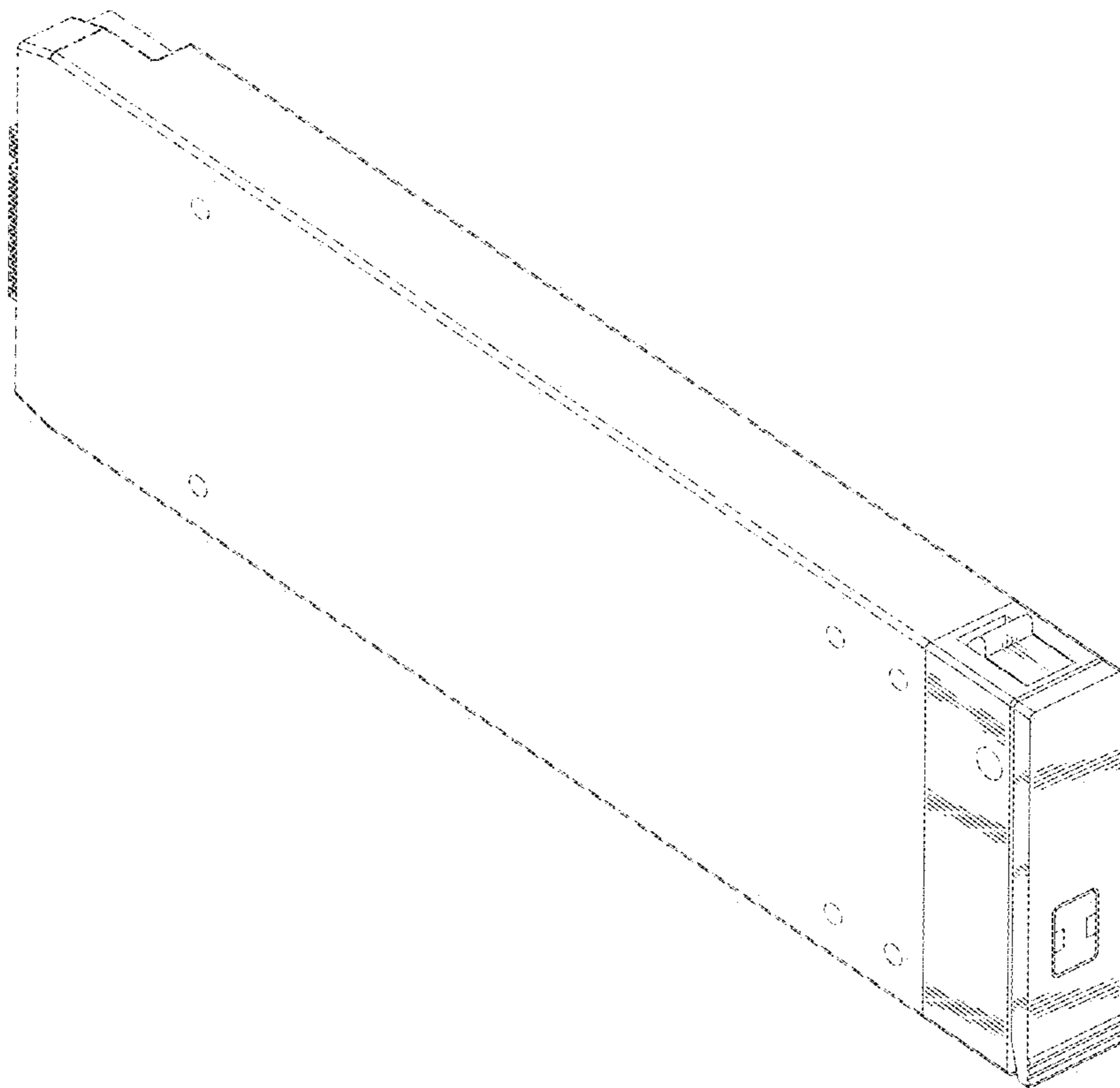


FIG. 2

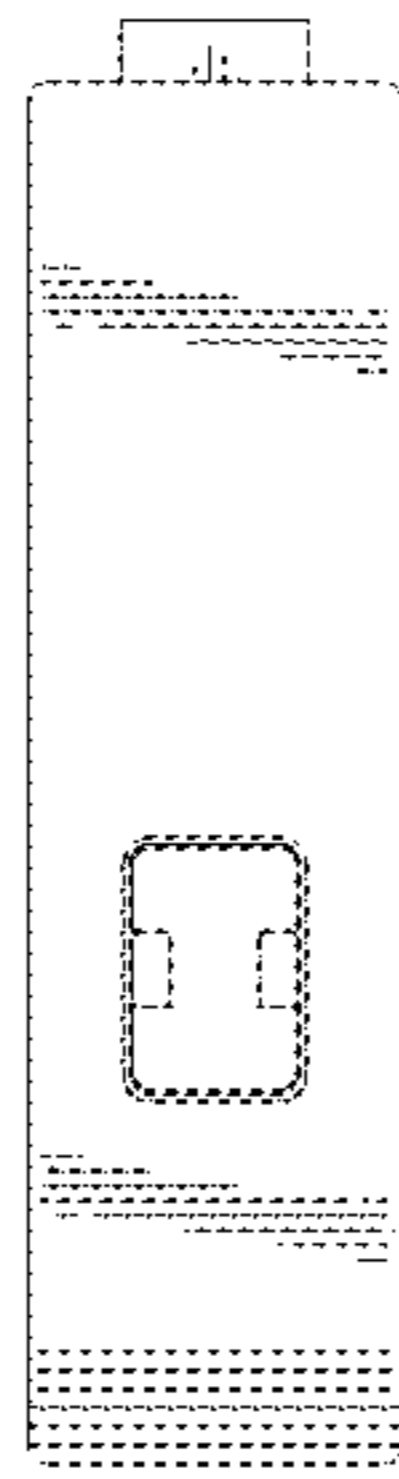


FIG. 3

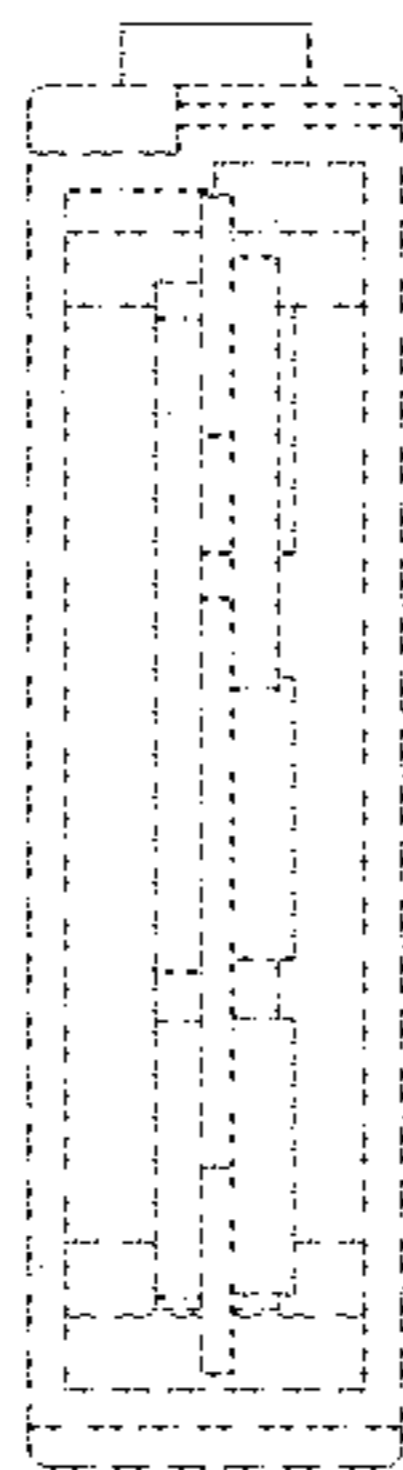


FIG. 4



FIG. 5



FIG. 6

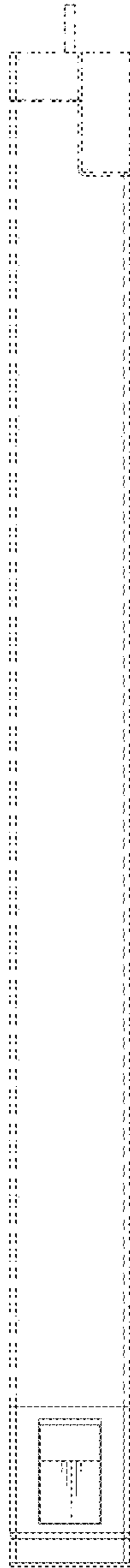


FIG. 7

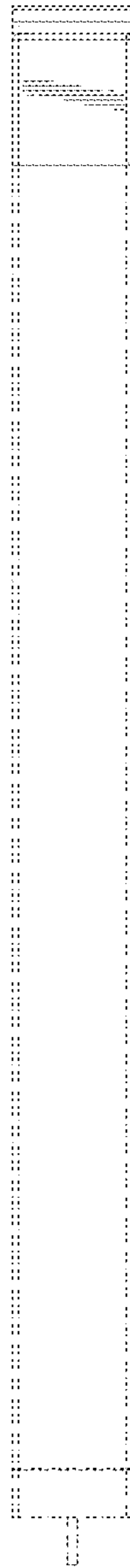


FIG. 8

