



US00D890706S

(12) **United States Design Patent**  
**Kobayashi**

(10) **Patent No.:** **US D890,706 S**  
(45) **Date of Patent:** **\*\* Jul. 21, 2020**

(54) **ELECTRICAL CONNECTOR**

(71) Applicant: **HOSIDEN CORPORATION**, Yao-shi, Osaka (JP)

(72) Inventor: **Hideto Kobayashi**, Isesaki (JP)

(73) Assignee: **HOSIDEN CORPORATION**, Yao-shi (JP)

(\*\*) Term: **15 Years**

(21) Appl. No.: **29/654,129**

(22) Filed: **Jun. 21, 2018**

(30) **Foreign Application Priority Data**

Jan. 10, 2018 (HK) ..... 2018-000137

(51) **LOC (12) Cl.** ..... **13-03**

(52) **U.S. Cl.**  
USPC ..... **D13/146**

(58) **Field of Classification Search**  
USPC ..... D13/101, 118, 123, 133, 145-147, 149, D13/154, 184, 199  
CPC ..... H01R 9/05; H01R 12/00; H01R 12/17; H01R 12/70; H01R 13/436; H01R 13/514; H01R 13/58; H01R 13/627; H01R 24/04; H01R 24/50  
See application file for complete search history.

(56) **References Cited**

**U.S. PATENT DOCUMENTS**

4,046,452 A \* 9/1977 Cassarly ..... H01R 13/514  
439/594  
D331,911 S \* 12/1992 Sato ..... D13/133  
D334,013 S \* 3/1993 Nagasaka ..... D13/133

(Continued)

*Primary Examiner* — Angela J Lee  
*Assistant Examiner* — Shawn T Gingrich

(74) *Attorney, Agent, or Firm* — Kratz, Quintos & Hanson, LLP

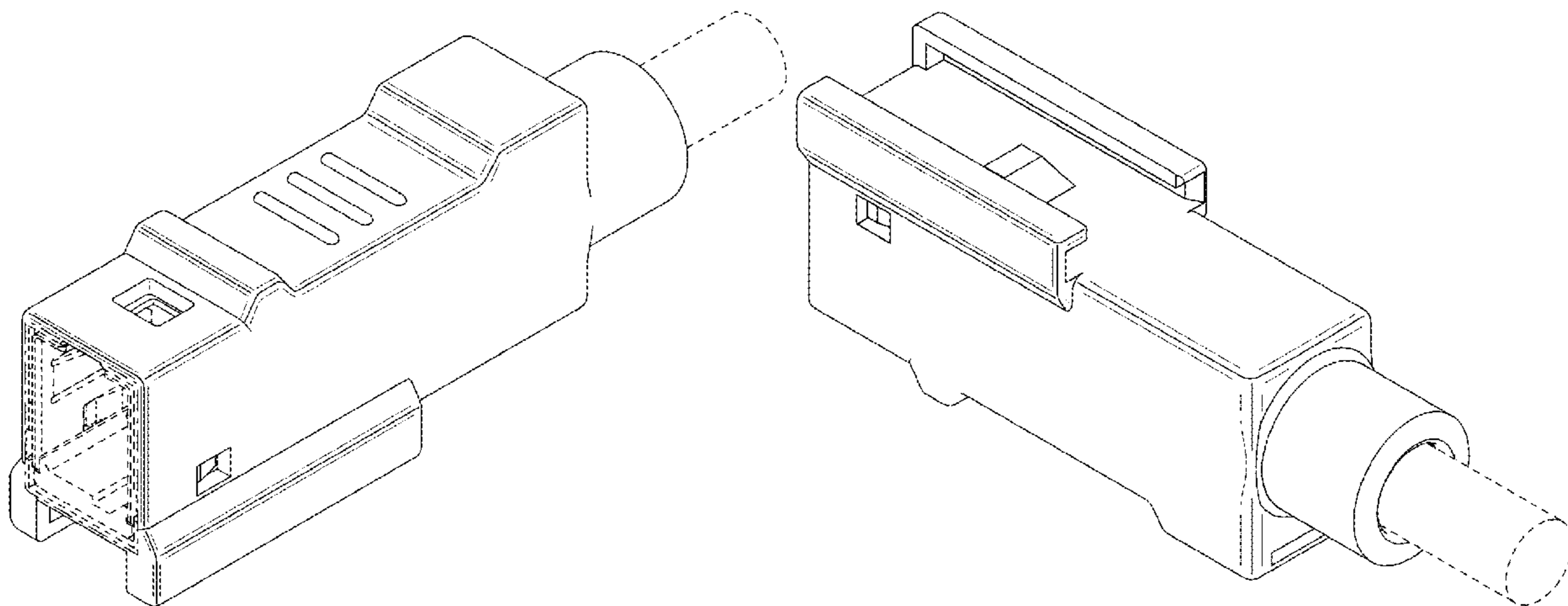
(57) **CLAIM**

The ornamental design for electrical connector, as shown and described.

**DESCRIPTION**

FIG. 1 is a front elevational view of an electrical connector according to the claimed design;  
FIG. 2 is a back elevational view of the electrical connector according to the claimed design;  
FIG. 3 is a top plan view of the electrical connector according to the claimed design;  
FIG. 4 is a bottom plan view of the electrical connector according to the claimed design;  
FIG. 5 is a right side elevational view of the electrical connector according to the claimed design;  
FIG. 6 is a left side elevational view of the electrical connector according to the claimed design;  
FIG. 7 is a top, front, and right side perspective view of the electrical connector according to the claimed design;  
FIG. 8 is a back, bottom, and left side perspective view of the electrical connector according to the claimed design;  
FIG. 9 is an enlarged partial cross-sectional view of the electrical connector according to the claimed design, taken along line 9-9 in FIG. 1;  
FIG. 10 is an enlarged partial cross-sectional view of the electrical connector according to the claimed design, taken along line 10-10 in FIG. 1; and,  
FIG. 11 is an enlarged partial cross-sectional view of the electrical connector according to the claimed design, taken along line 11-11 in FIG. 1.  
The broken lines are included for the purpose of illustrating environmental structures and form no part of the claimed design. The dot-dash broken lines define the boundaries of the claimed design and form no part of the claimed design. The wavy solid line in FIGS. 9-11 is used to show the edge of the enlarged view and forms no part of the claimed design.

**1 Claim, 6 Drawing Sheets**



(56)

**References Cited**

## U.S. PATENT DOCUMENTS

5,993,238 A \* 11/1999 Kudo ..... H01R 13/6272  
439/352  
D454,333 S \* 3/2002 Ikeda ..... D13/133  
D464,318 S \* 10/2002 Togashi ..... D13/133  
7,811,126 B1 \* 10/2010 Chen ..... H01R 13/42  
439/595  
D810,689 S \* 2/2018 Takano ..... D13/147  
D843,940 S \* 3/2019 Sasaki ..... D13/133  
D854,500 S \* 7/2019 Asano ..... D13/133  
10,386,583 B2 \* 8/2019 Jibiki ..... G02B 6/3838  
2001/0026661 A1 \* 10/2001 De Jong ..... G02B 6/3831  
385/56  
2002/0114583 A1 \* 8/2002 Asada ..... G02B 6/3849  
385/78  
2011/0123156 A1 \* 5/2011 Koreeda ..... G02B 6/3825  
385/53  
2017/0324176 A1 \* 11/2017 Ishikawa ..... H01R 12/716  
2019/0140378 A1 \* 5/2019 Sakai ..... H01R 12/7029  
2019/0157809 A1 \* 5/2019 Maesoba ..... H01R 13/6581  
2019/0199036 A1 \* 6/2019 Kanemura ..... H01R 13/639  
2019/0288456 A1 \* 9/2019 Maesoba ..... H01R 13/187  
2019/0302383 A1 \* 10/2019 Takano ..... G02B 6/4292  
2019/0348792 A1 \* 11/2019 Yamamoto ..... H01R 13/41  
2019/0386435 A1 \* 12/2019 Takahashi ..... H01R 13/6474

\* cited by examiner

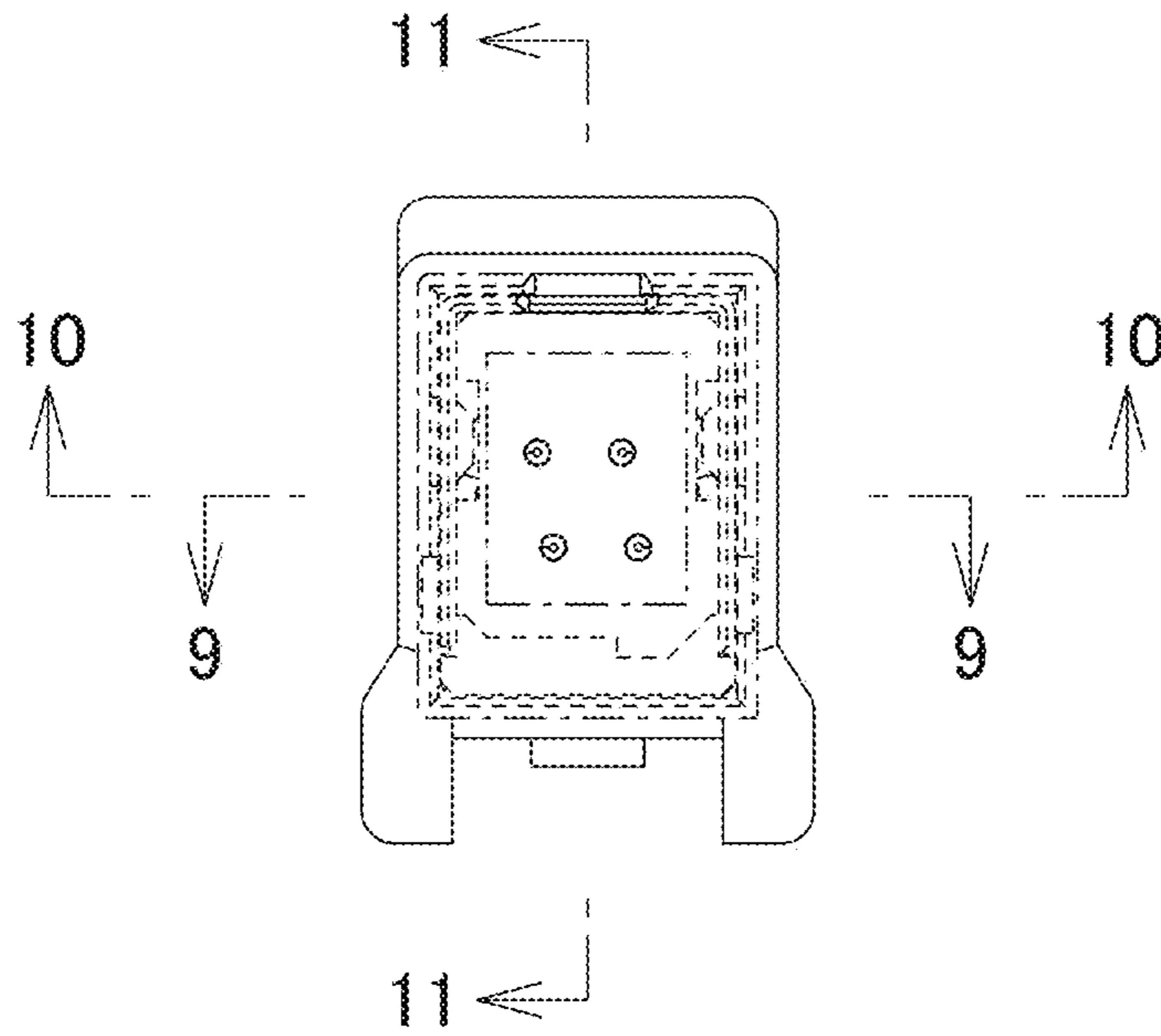


Fig. 1

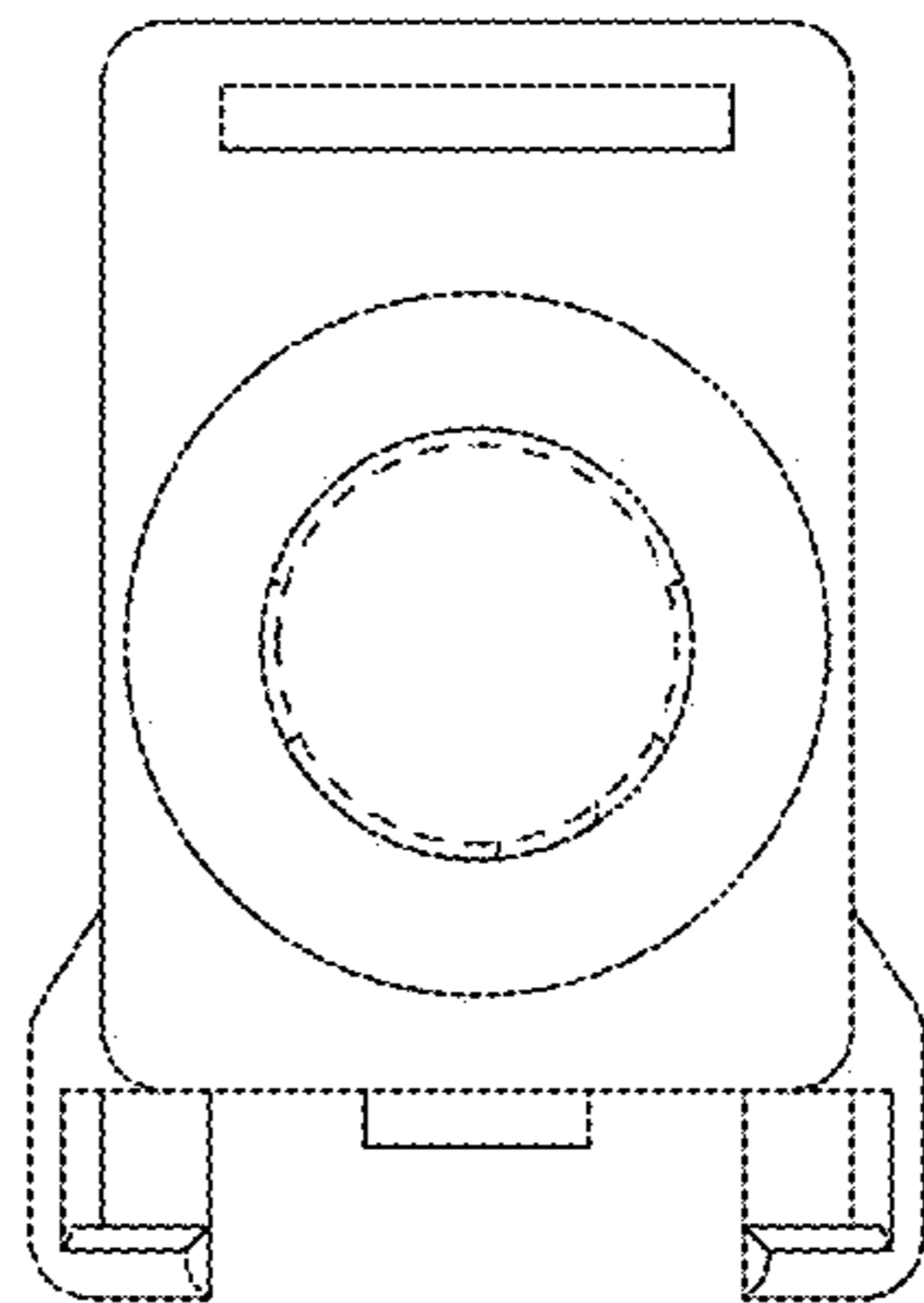


Fig. 2

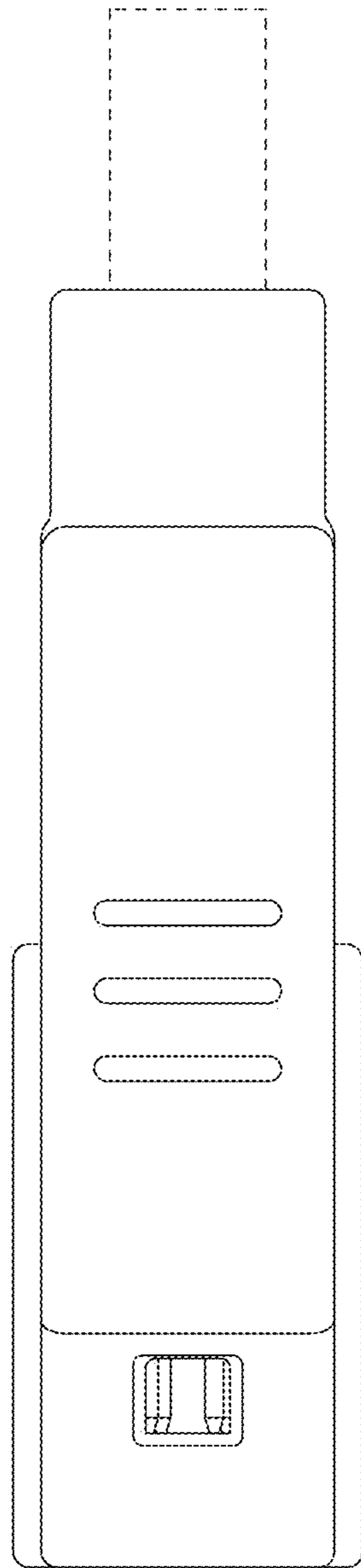


Fig.3

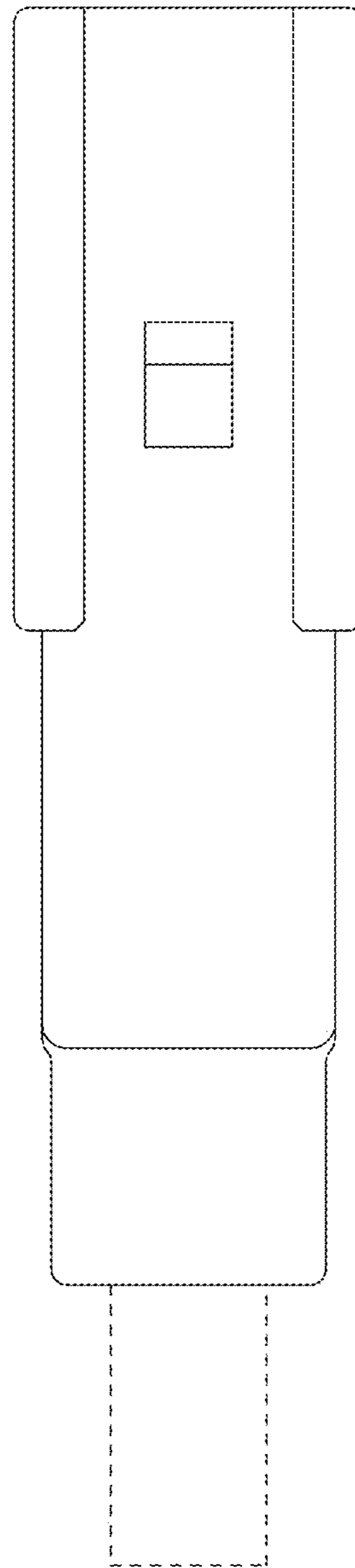


Fig.4

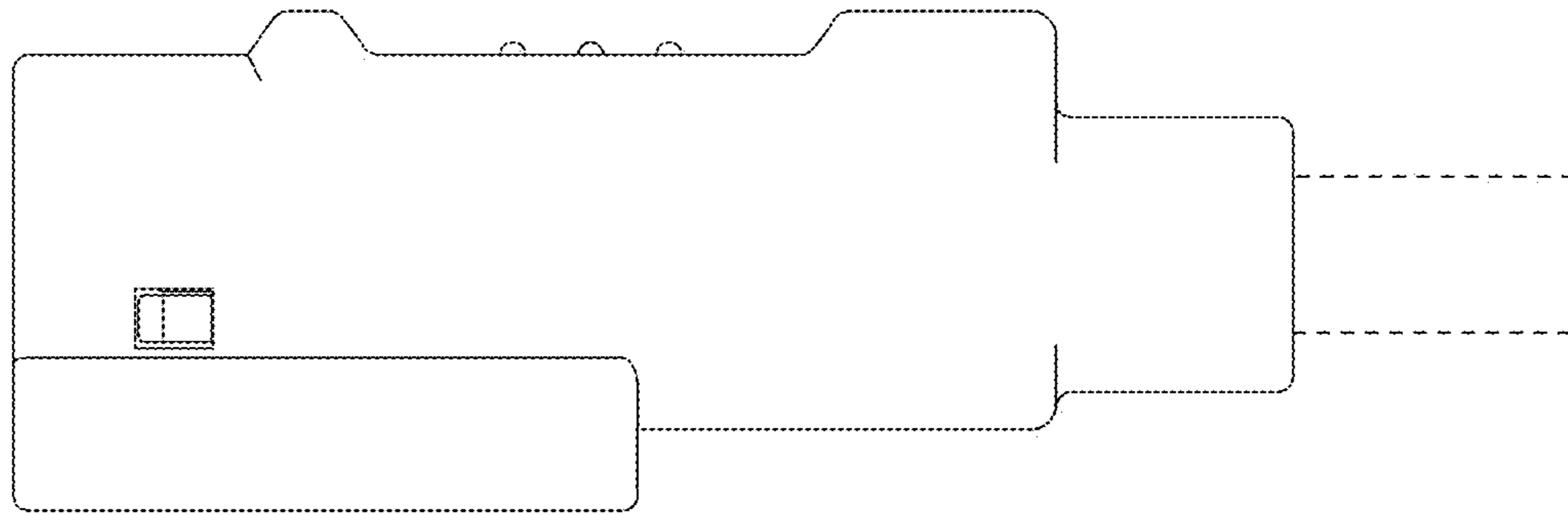


Fig.5

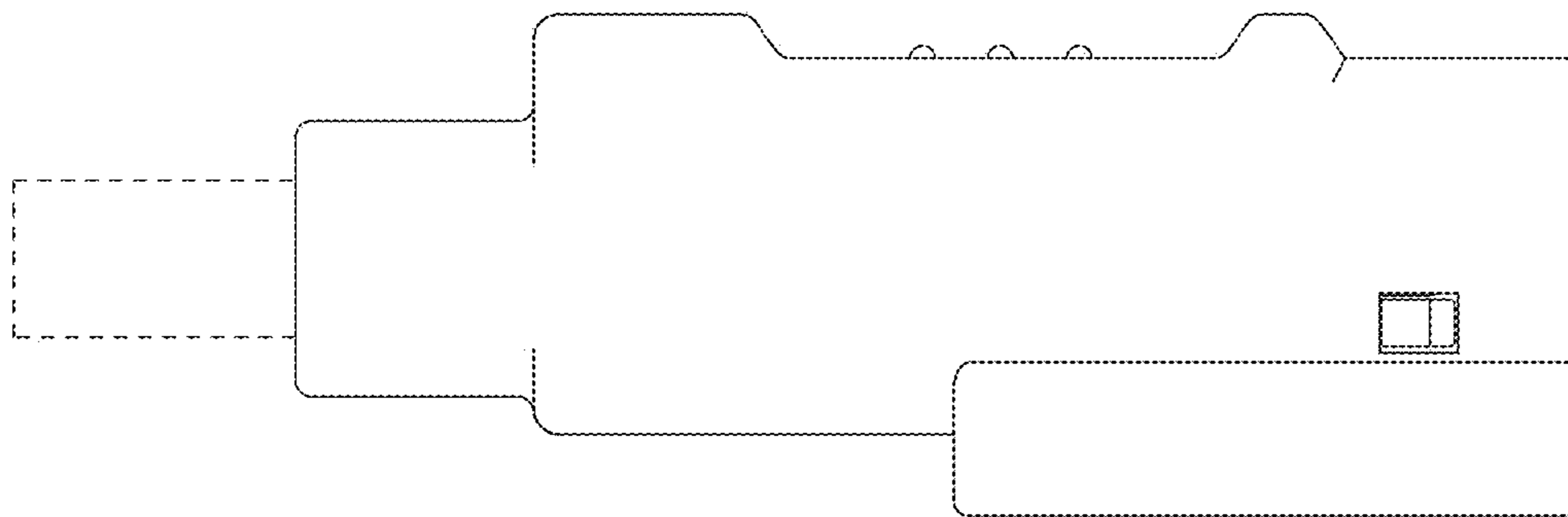


Fig.6

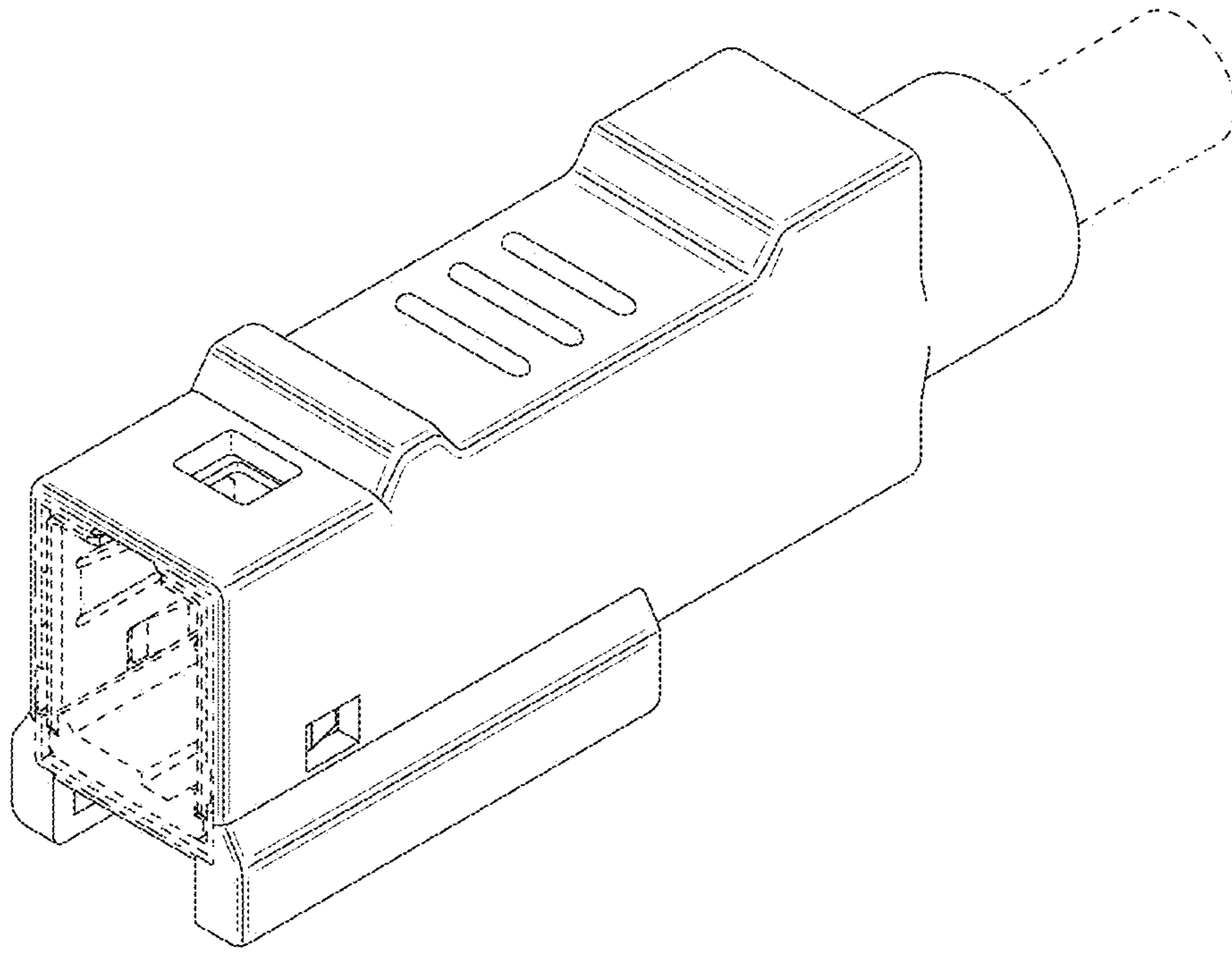


Fig.7

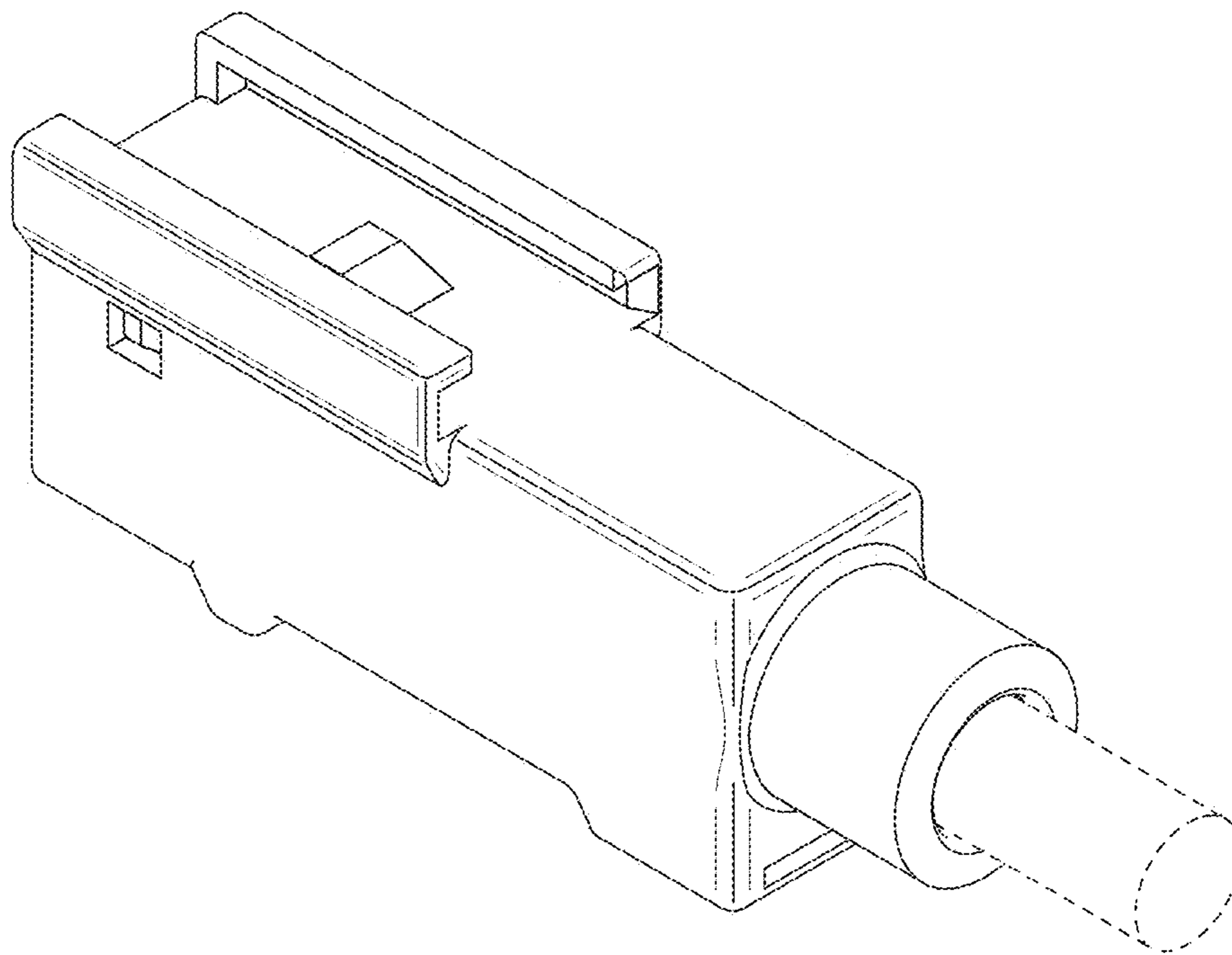


Fig.8

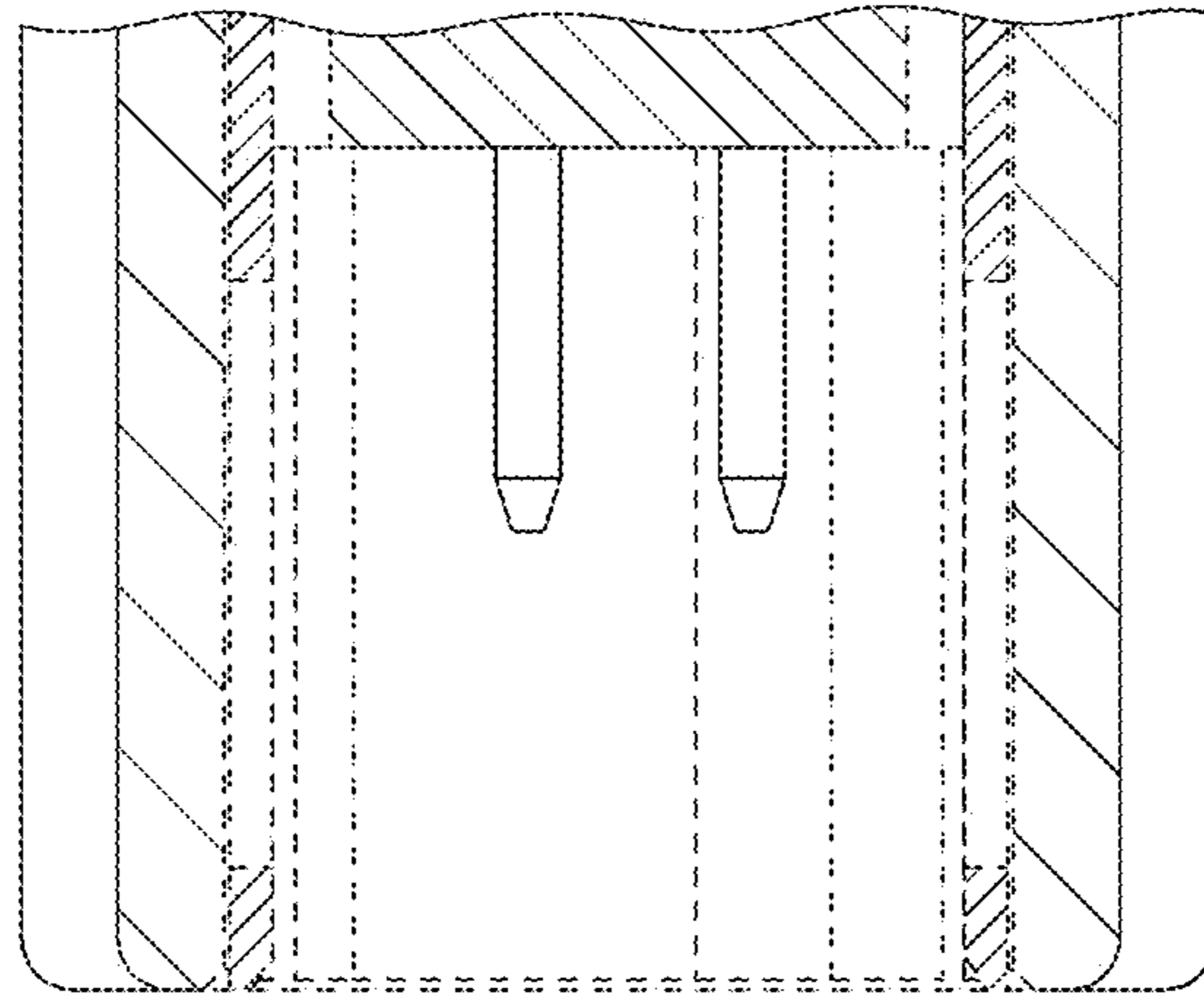


Fig.9

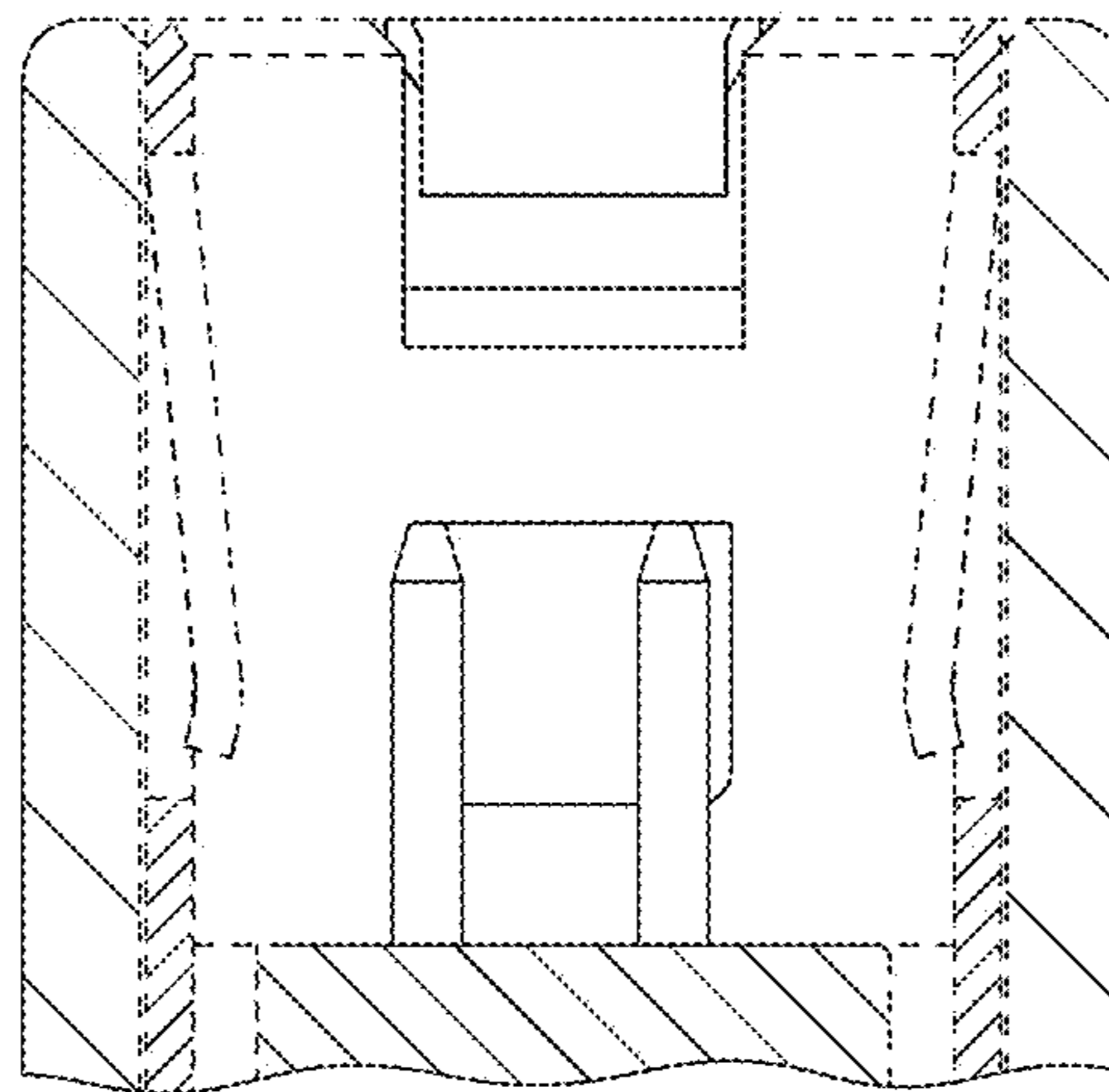


Fig.10

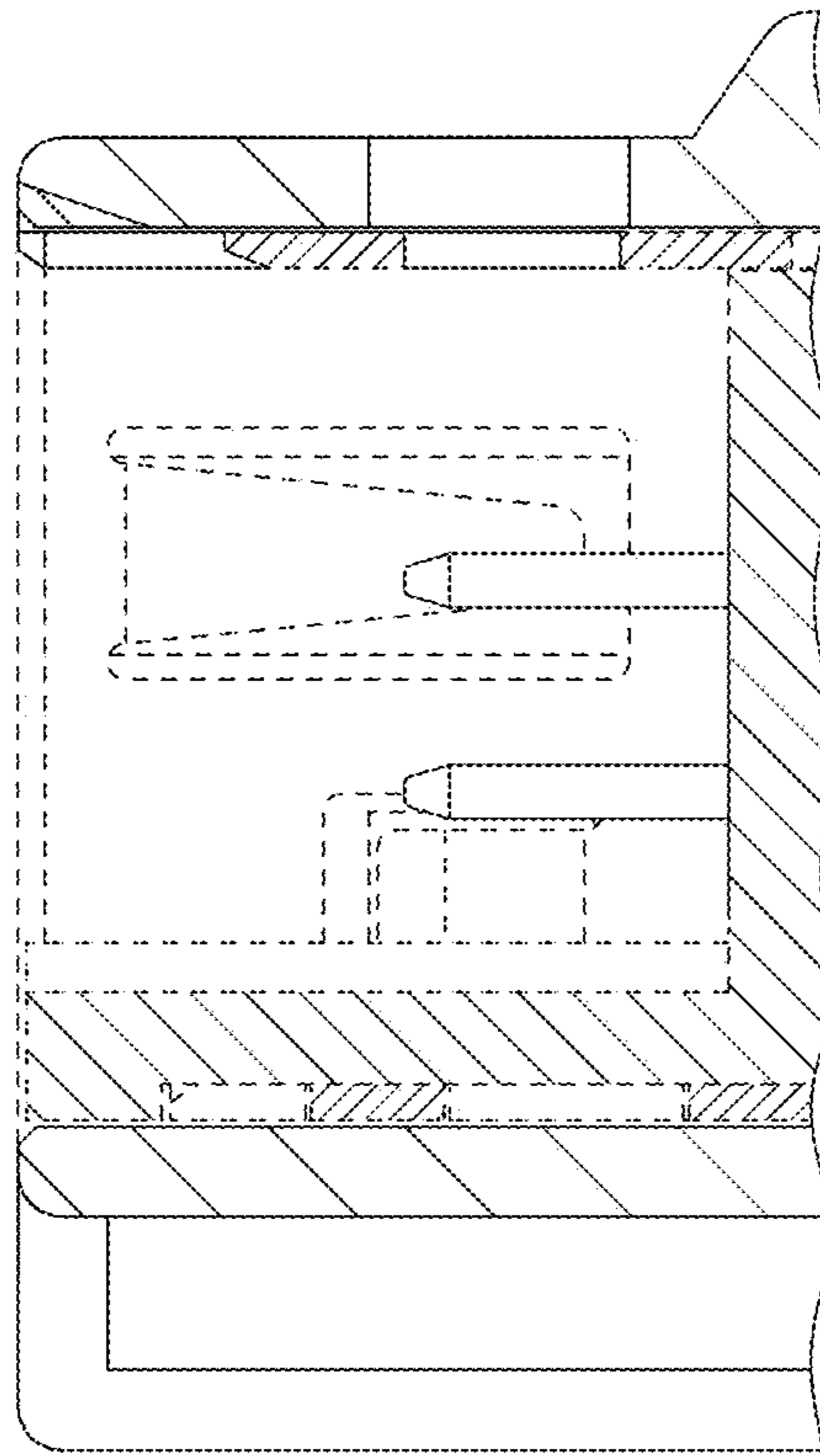


Fig.11