



US00D890705S

(12) **United States Design Patent**
Kobayashi

(10) **Patent No.:** **US D890,705 S**

(45) **Date of Patent:** **** Jul. 21, 2020**

(54) **ELECTRICAL CONNECTOR**

(71) Applicant: **HOSIDEN CORPORATION**, Yao-shi, Osaka (JP)

(72) Inventor: **Hideto Kobayashi**, Isesaki (JP)

(73) Assignee: **HOSIDEN CORPORATION**, Yao-shi (JP)

(**) Term: **15 Years**

(21) Appl. No.: **29/654,128**

(22) Filed: **Jun. 21, 2018**

(30) **Foreign Application Priority Data**

Jan. 10, 2018 (JP) 2018-000136

(51) **LOC (12) Cl.** **13-03**

(52) **U.S. Cl.**
USPC **D13/146**

(58) **Field of Classification Search**
USPC D13/101, 118, 123, 133, 145-147, 149, D13/154, 184, 199
CPC H01R 9/05; H01R 12/00; H01R 12/17; H01R 12/70; H01R 13/436; H01R 13/514; H01R 13/58; H01R 13/627; H01R 24/04; H01R 24/50
See application file for complete search history.

(56) **References Cited**

U.S. PATENT DOCUMENTS

- 4,046,452 A * 9/1977 Cassarly H01R 13/514 439/594
- D331,911 S * 12/1992 Sato D13/133
- D334,013 S * 3/1993 Nagasaka D13/133
- 5,993,238 A * 11/1999 Kudo H01R 13/6272 439/352
- D454,333 S * 3/2002 Ikeda D13/133
- D464,318 S * 10/2002 Togashi D13/133

(Continued)

Primary Examiner — Angela J Lee

Assistant Examiner — Shawn T Gingrich

(74) *Attorney, Agent, or Firm* — Kratz, Quintos & Hanson, LLP

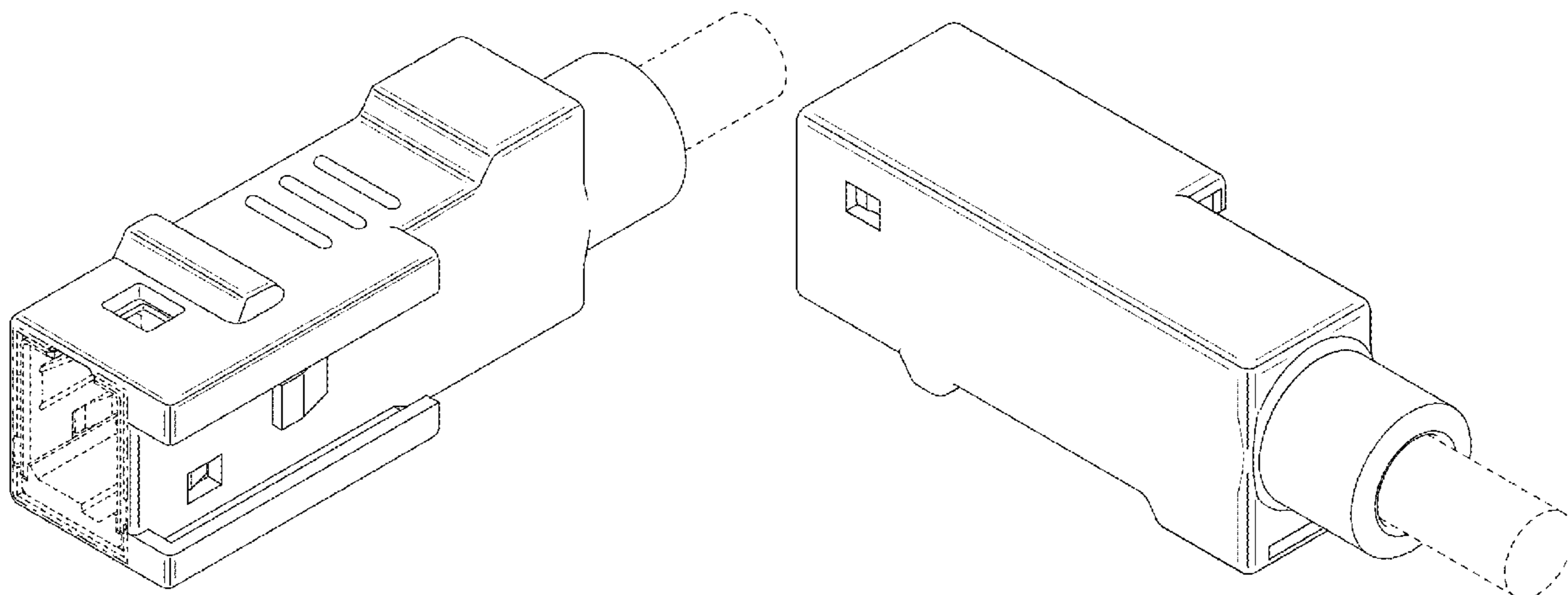
(57) **CLAIM**

The ornamental design for electrical connector, as shown and described.

DESCRIPTION

FIG. 1 is a front elevational view of an electrical connector according to the claimed design;
 FIG. 2 is a back elevational view of the electrical connector according to the claimed design;
 FIG. 3 is a top plan view of the electrical connector according to the claimed design;
 FIG. 4 is a bottom plan view of the electrical connector according to the claimed design;
 FIG. 5 is a right side elevational view of the electrical connector according to the claimed design;
 FIG. 6 is a left side elevational view of the electrical connector according to the claimed design;
 FIG. 7 is a top, front, and right side perspective view of the electrical connector according to the claimed design;
 FIG. 8 is a back, bottom, and left side perspective view of the electrical connector according to the claimed design;
 FIG. 9 is an enlarged partial cross-sectional view of the electrical connector according to the claimed design, taken along line 9-9 in FIG. 1;
 FIG. 10 is an enlarged partial cross-sectional view of the electrical connector according to the claimed design, taken along line 10-10 in FIG. 1; and,
 FIG. 11 is an enlarged partial cross-sectional view of the electrical connector according to the claimed design, taken along line 11-11 in FIG. 1.
 The wavy solid line in FIGS. 9-11 is used to show the edge of the enlarged view and forms no part of the claimed design.

1 Claim, 6 Drawing Sheets



(56)

References Cited

U.S. PATENT DOCUMENTS

7,811,126 B1 * 10/2010 Chen H01R 13/42
 439/595
 D810,689 S * 2/2018 Takano D13/147
 D843,940 S * 3/2019 Sasaki D13/133
 D854,500 S * 7/2019 Asano D13/133
 10,386,583 B2 * 8/2019 Jibiki G02B 6/3838
 2001/0026661 A1 * 10/2001 de Jong G02B 6/3831
 385/56
 2002/0114583 A1 * 8/2002 Asada G02B 6/3849
 385/78
 2011/0123156 A1 * 5/2011 Koreeda G02B 6/3825
 385/53
 2017/0324176 A1 * 11/2017 Ishikawa H01R 12/716
 2019/0140378 A1 * 5/2019 Sakai H01R 12/7029
 2019/0157809 A1 * 5/2019 Maesoba H01R 13/6581
 2019/0199036 A1 * 6/2019 Kanemura H01R 13/639
 2019/0288456 A1 * 9/2019 Maesoba H01R 13/187
 2019/0302383 A1 * 10/2019 Takano G02B 6/4292
 2019/0348792 A1 * 11/2019 Yamamoto H01R 13/41
 2019/0386435 A1 * 12/2019 Takahashi H01R 13/6474

* cited by examiner

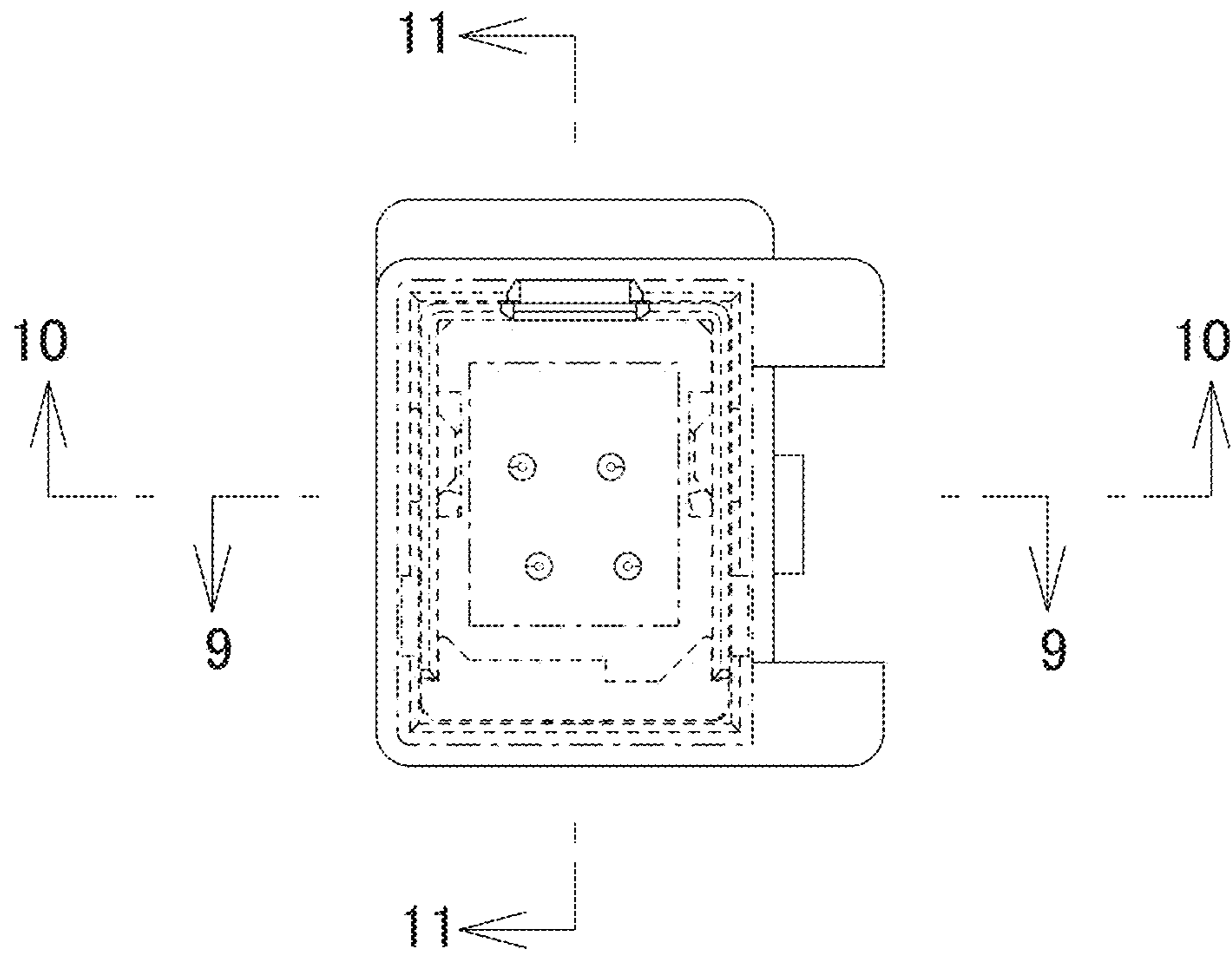


Fig. 1

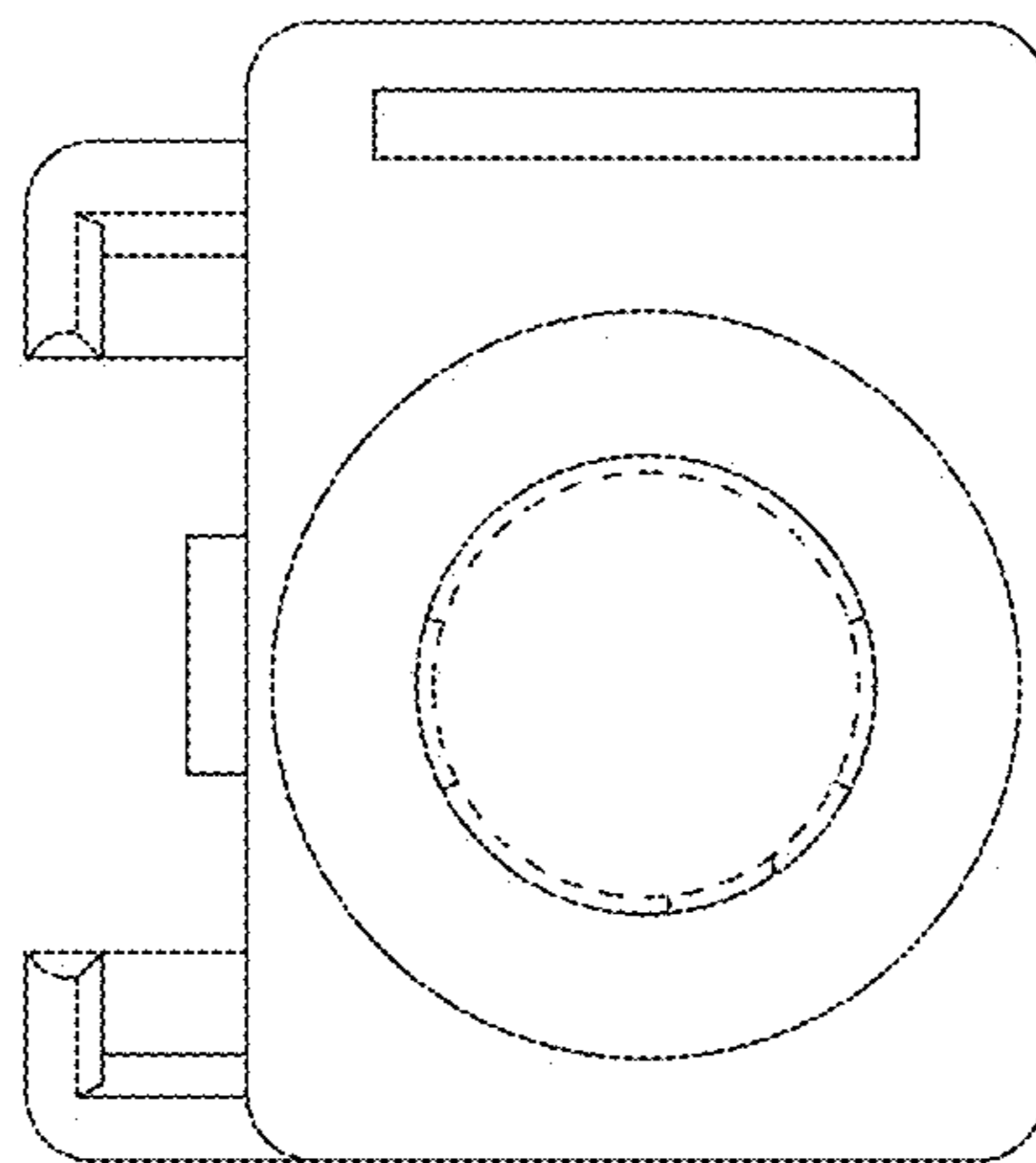


Fig. 2

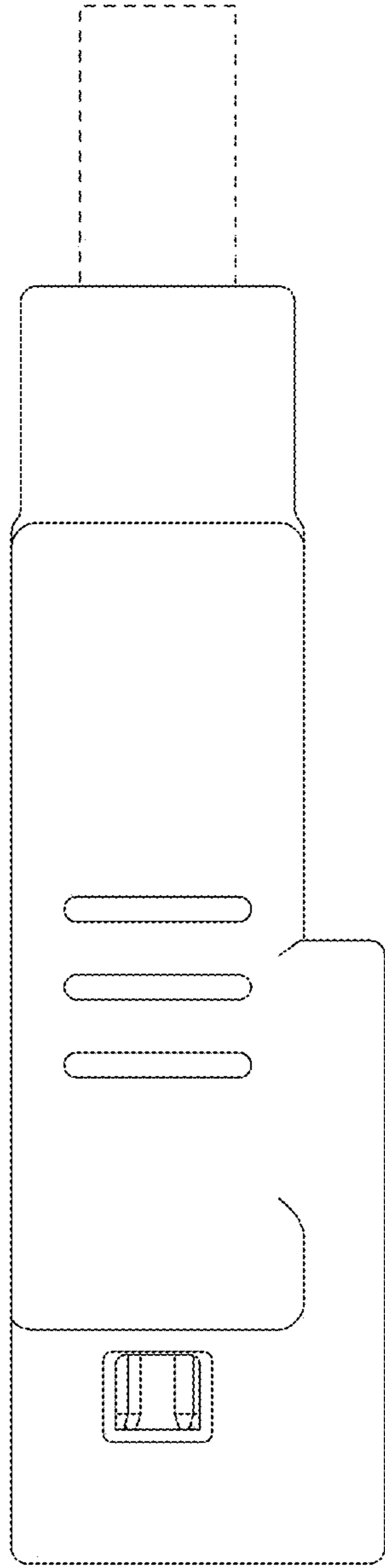


Fig.3

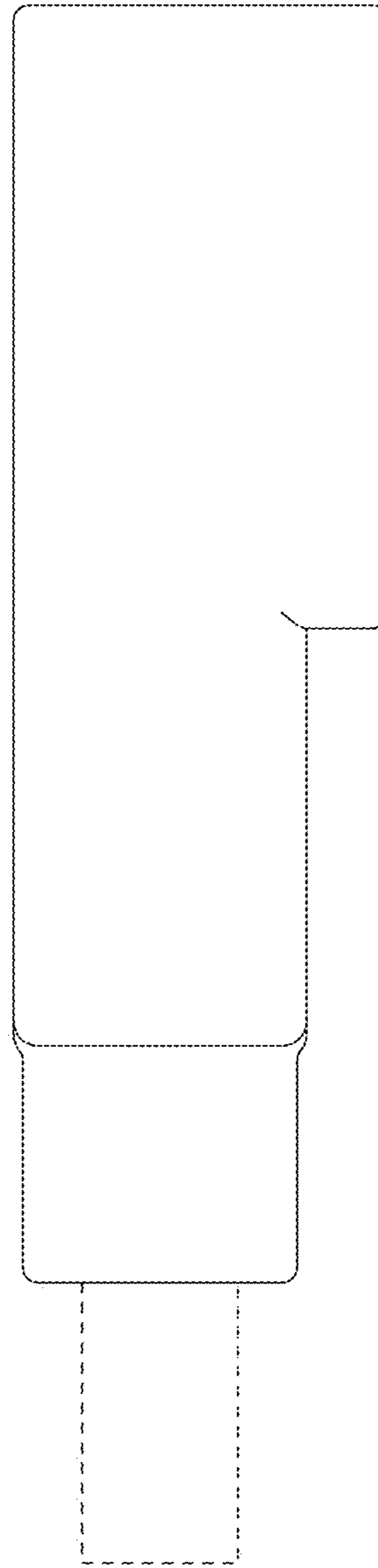


Fig.4

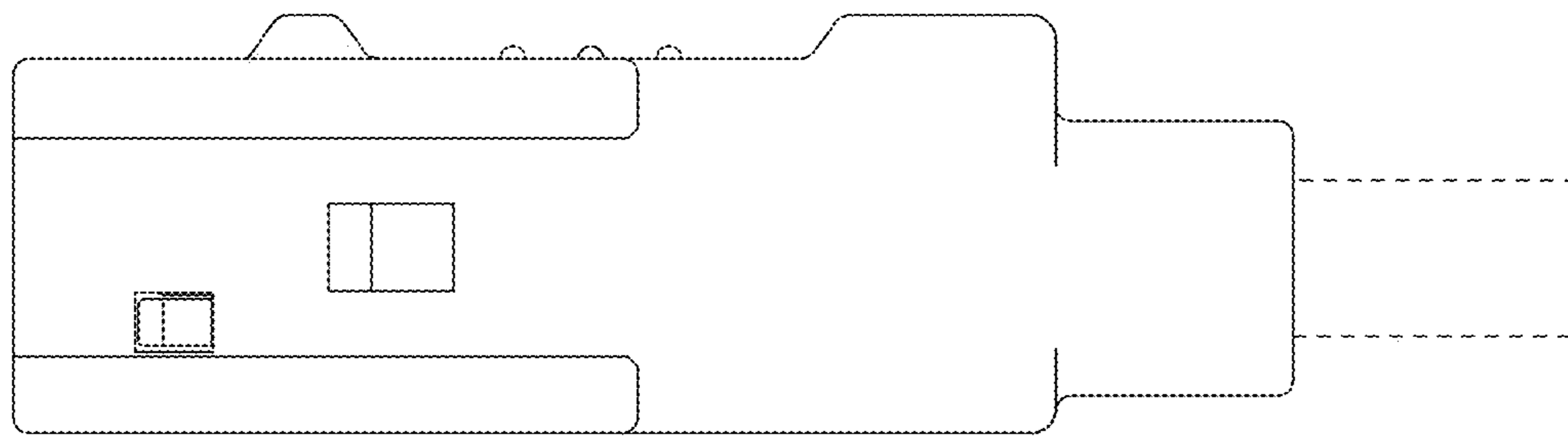


Fig.5

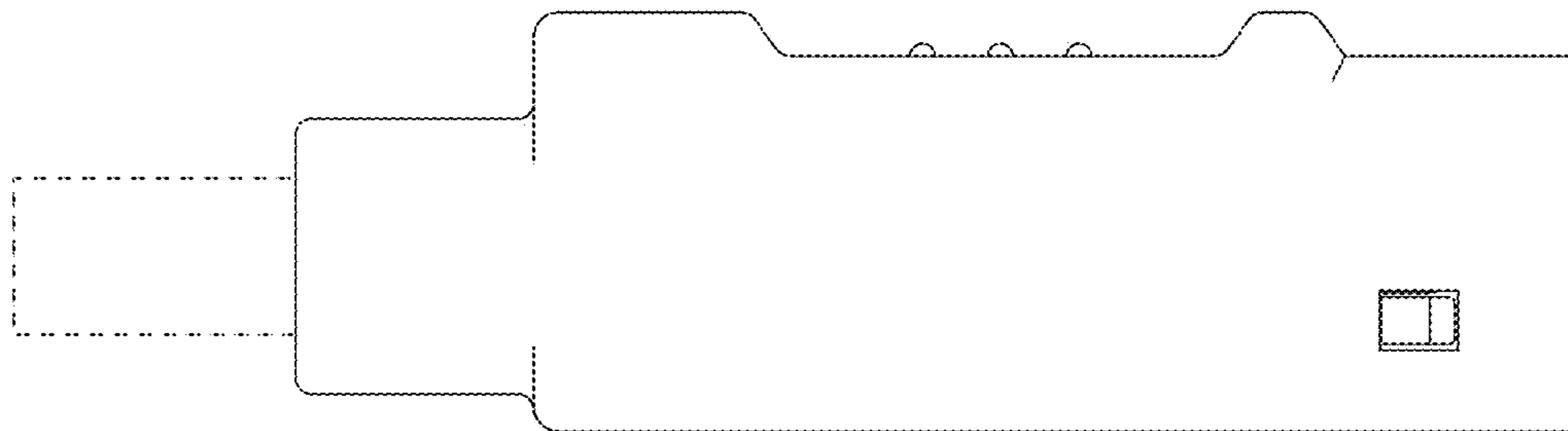


Fig.6

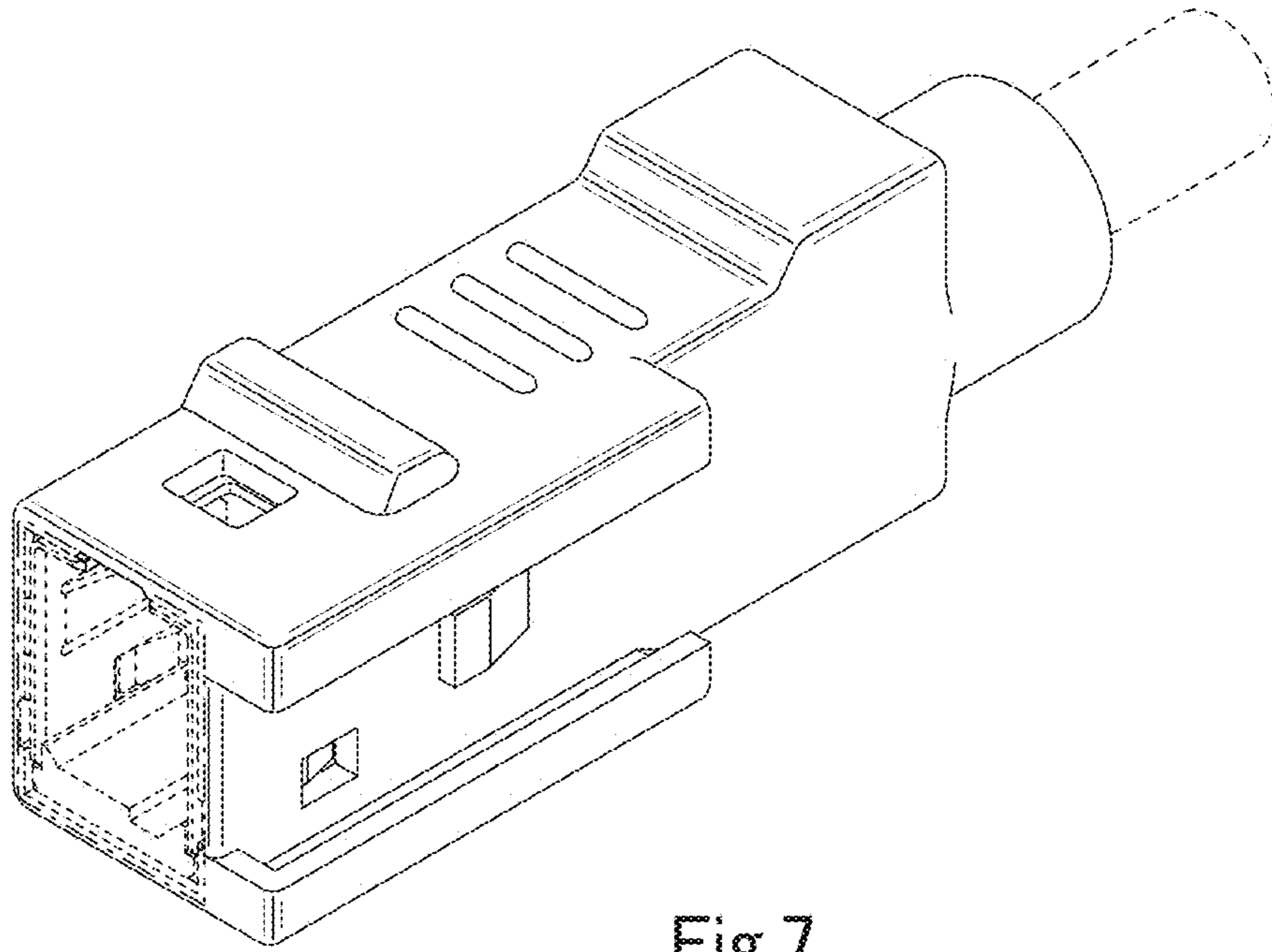


Fig.7

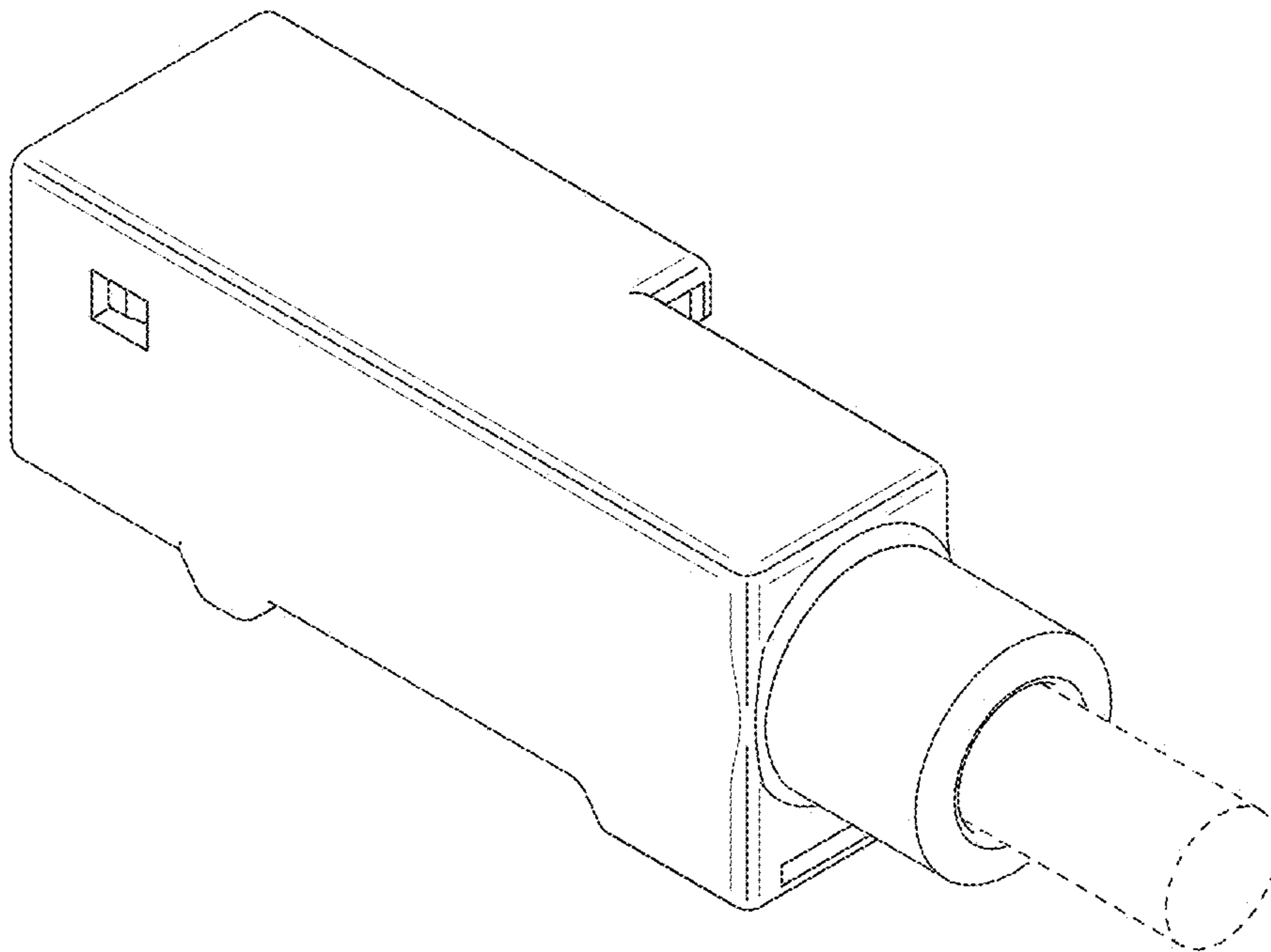


Fig.8

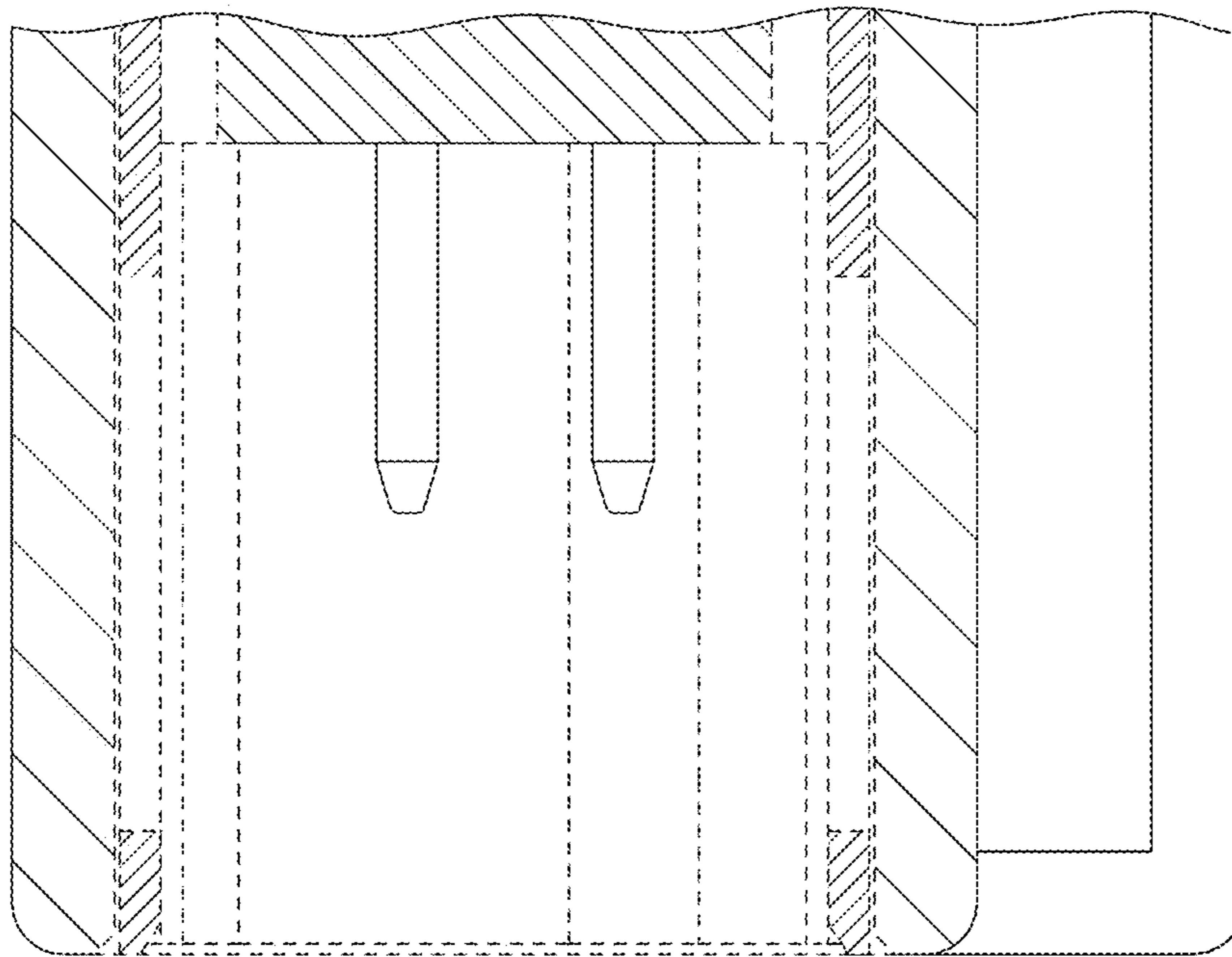


Fig.9

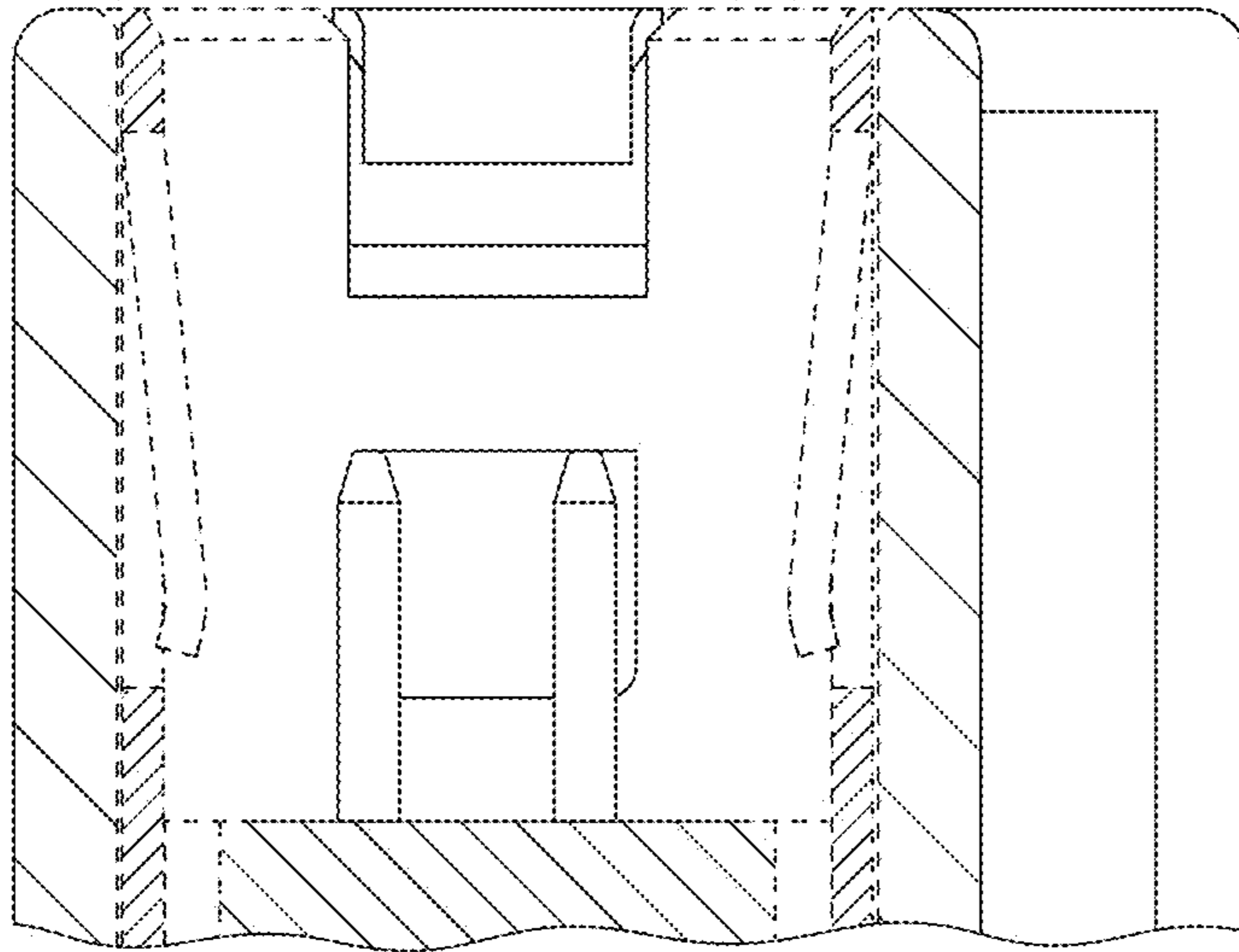


Fig. 10

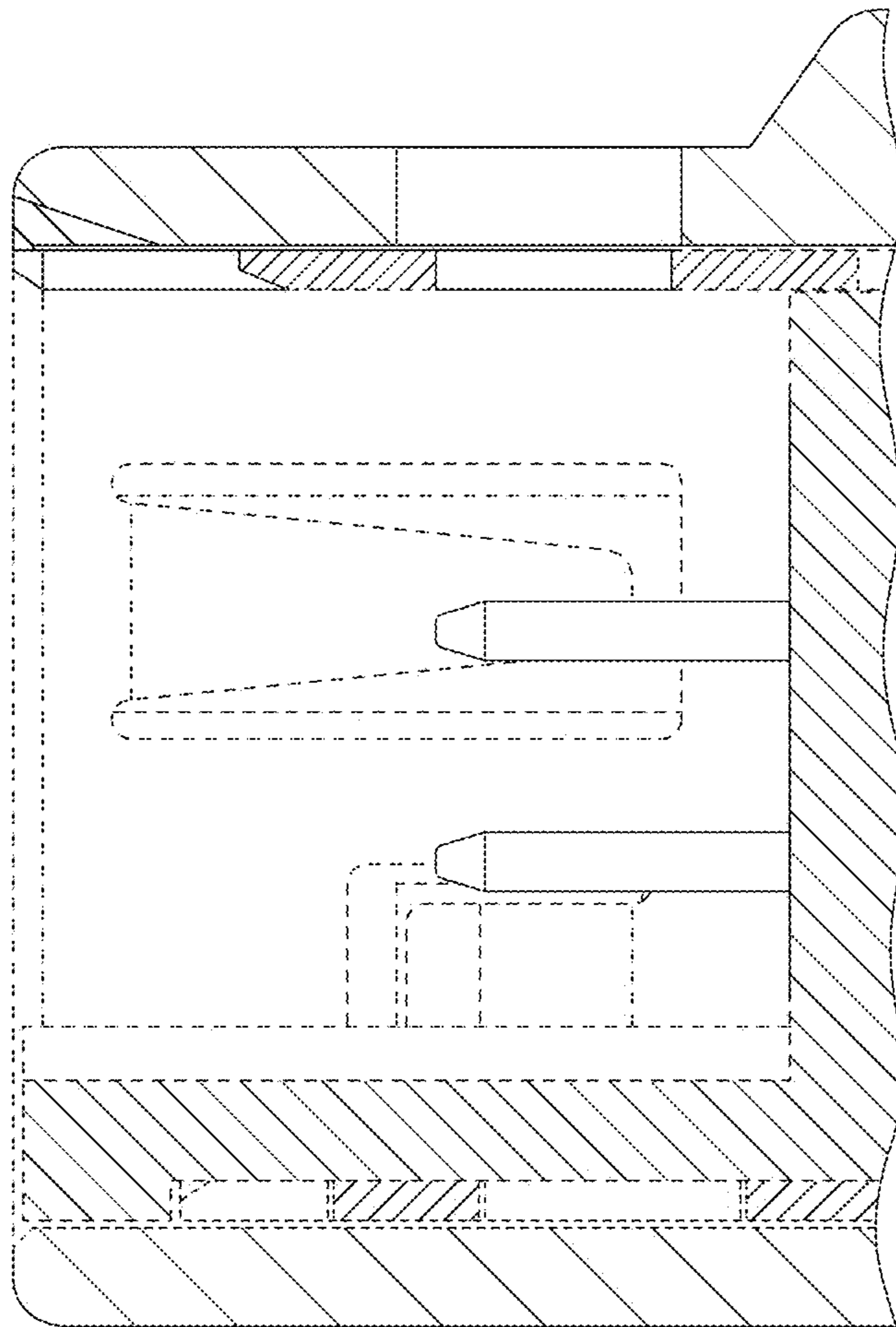


Fig. 11