



US00D890701S

(12) **United States Design Patent** (10) **Patent No.:** **US D890,701 S**
Somanathapura Ramanna et al. (45) **Date of Patent:** **** Jul. 21, 2020**

(54) **CONNECTOR TERMINAL**
(71) Applicant: **Molex, LLC**, Lisle, IL (US)
(72) Inventors: **Nrupathunga Chakravarthy**
Somanathapura Ramanna, Bangalore
(IN); **Pierre Perez**, Aurora, IL (US)

D560,614 S * 1/2008 McEvoy D13/147
D577,677 S * 9/2008 Li D13/133
D687,780 S * 8/2013 Shimizu D13/147
D723,475 S * 3/2015 Chen D13/154
D762,587 S * 8/2016 Ebisawa D13/154
9,972,932 B2 * 5/2018 Copper H01R 13/114
D847,759 S 5/2019 Bhagyanathan Sathianathan
et al.

(Continued)

(73) Assignee: **Molex, LLC**, Lisle, IL (US)

(**) Term: **15 Years**

(21) Appl. No.: **29/676,424**

(22) Filed: **Jan. 10, 2019**

(51) **LOC (12) Cl.** **13-03**

(52) **U.S. Cl.**
USPC **D13/133**

(58) **Field of Classification Search**
USPC D13/107, 118, 123, 133, 146, 147, 149,
D13/151, 153, 154, 173, 184, 199
CPC ... G02B 6/36; G02B 6/38; H01R 9/24; H01R
12/14; H01R 13/05; H01R 13/11; H01R
13/20; H01R 13/428; H01R 13/50; H01R
13/52; H01R 13/58; H01R 13/5845;
H01R 13/62; H01R 13/627; H01R 13/658
See application file for complete search history.

(56) **References Cited**

U.S. PATENT DOCUMENTS

3,363,224 A * 1/1968 Gluntz H01R 13/11
439/852
4,966,557 A * 10/1990 Barkus H01R 13/428
439/246
5,214,247 A * 5/1993 Tamm H02G 3/0641
174/650
D345,343 S * 3/1994 Nakamura D13/147
5,681,190 A * 10/1997 Childs H01R 13/11
439/842
5,954,548 A * 9/1999 Stabroth H01R 13/434
439/748
5,997,363 A * 12/1999 Joly H01R 13/521
439/748
D556,136 S * 11/2007 Shiga D13/133

FOREIGN PATENT DOCUMENTS

TW D166681 3/2015
TW D183601 6/2017

Primary Examiner — Angela J Lee

Assistant Examiner — Shawn T Gingrich

(74) Attorney, Agent, or Firm — Banner & Witcoff, Ltd.

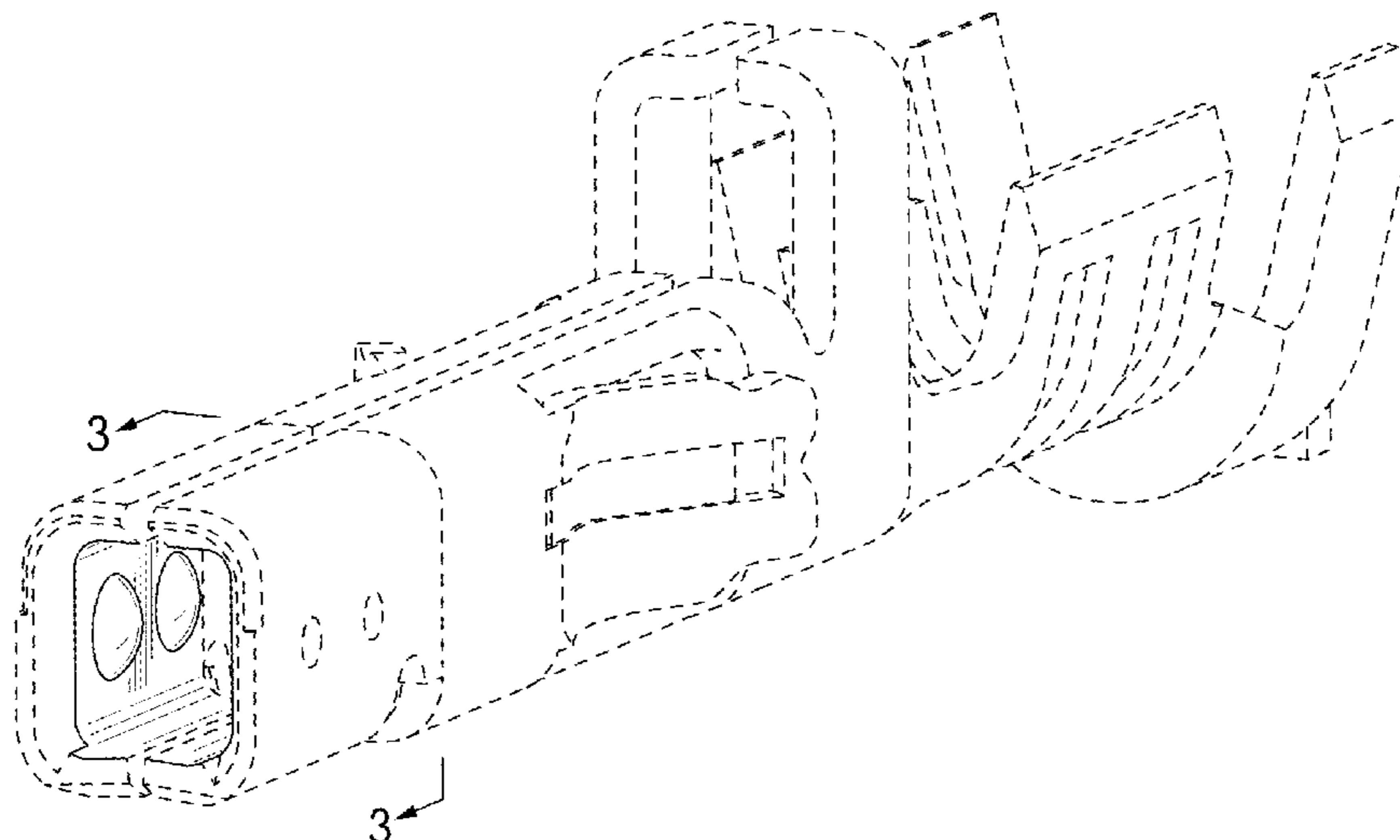
(57) **CLAIM**

The ornamental design for a connector terminal, as shown and described.

DESCRIPTION

FIG. 1 is a top front perspective view of a connector terminal showing our new design;
FIG. 2 is a bottom front perspective view thereof;
FIG. 3 is an enlarged view of FIG. 1 as identified by region 3 of FIG. 1 with environment partially removed for clarity purposes;
FIG. 4 is an enlarged view of FIG. 2 as identified by region 4 of FIG. 2 with environment partially removed for clarity purposes; and,
FIG. 5 is a cross-section taken through line 5-5 of FIG. 3 thereof.
The broken lines immediately adjacent to the shaded areas represent the bounds of the claimed design and form no part thereof. The broken lines depicting the remainder of the connector terminal show features that form no part of the claimed design.

1 Claim, 5 Drawing Sheets



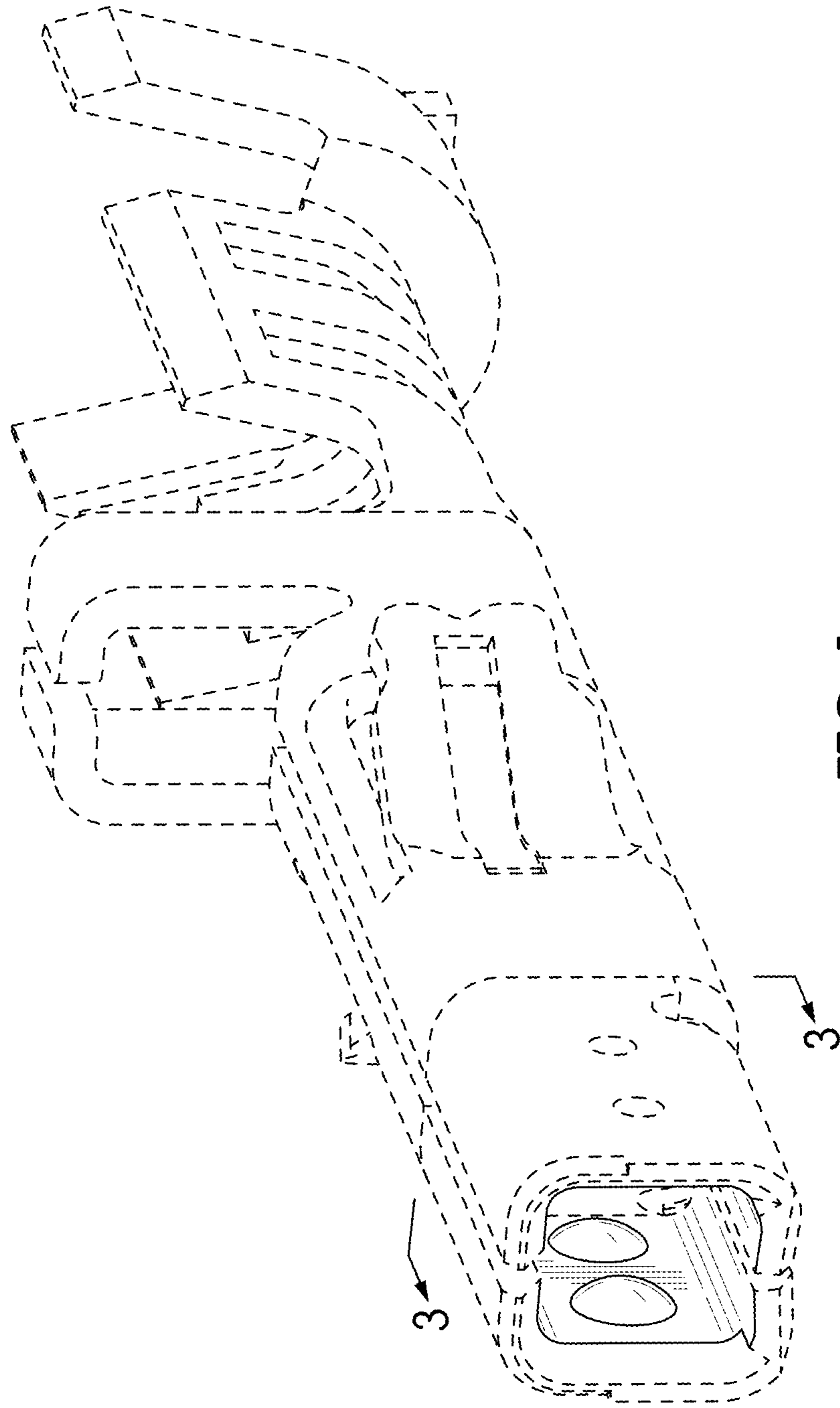
(56)

References Cited

U.S. PATENT DOCUMENTS

D870,675 S * 12/2019 Hayashi D13/154
2007/0178775 A1* 8/2007 Morello H01R 4/185
439/877
2008/0124949 A1* 5/2008 Chen H01R 12/57
439/55
2010/0190388 A1* 7/2010 Falchetti H01R 13/113
439/849
2016/0344115 A1* 11/2016 Miyakawa H01R 4/70
2018/0337480 A1* 11/2018 Hanyu H01R 13/112

* cited by examiner



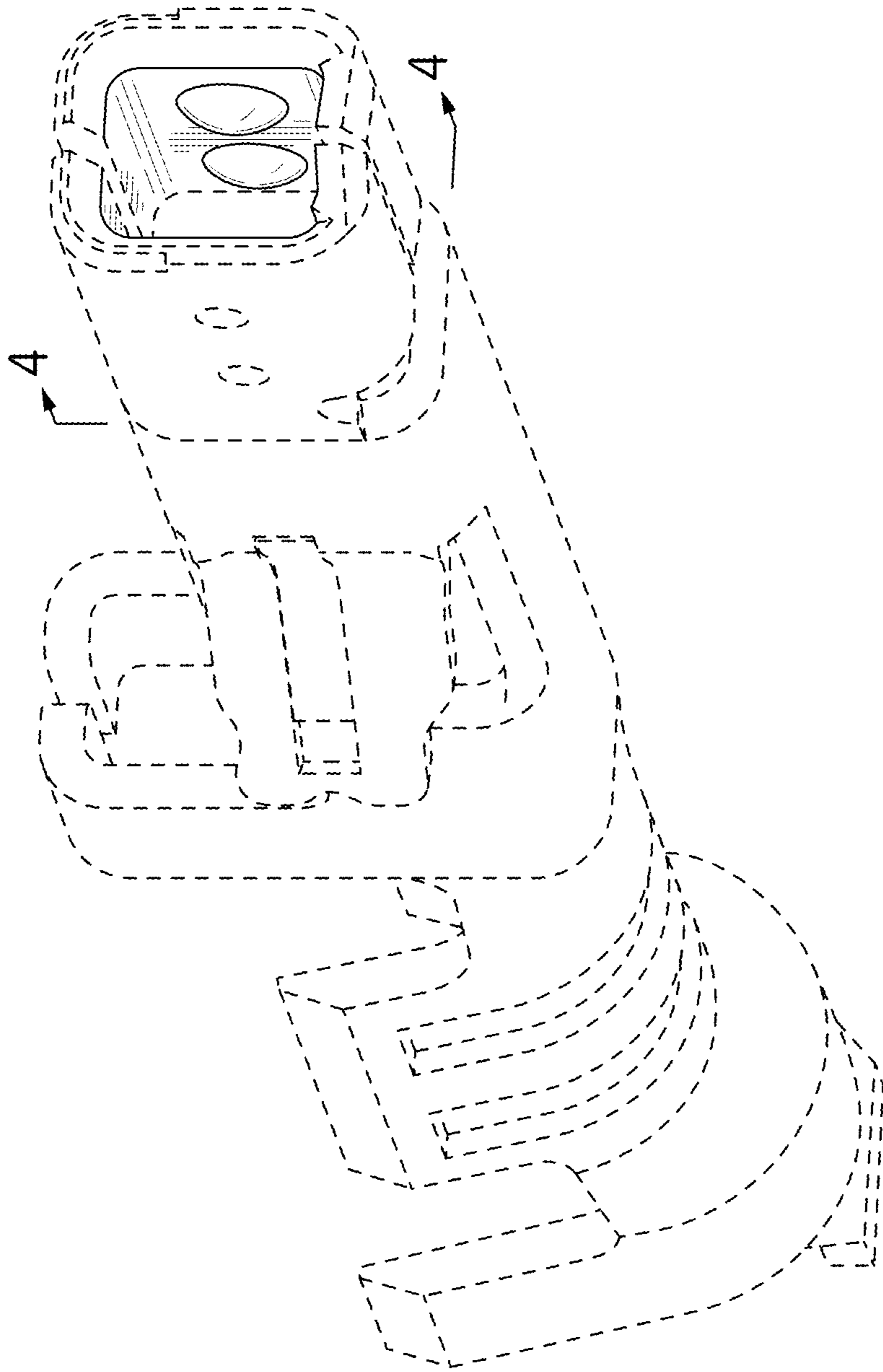


FIG. 2

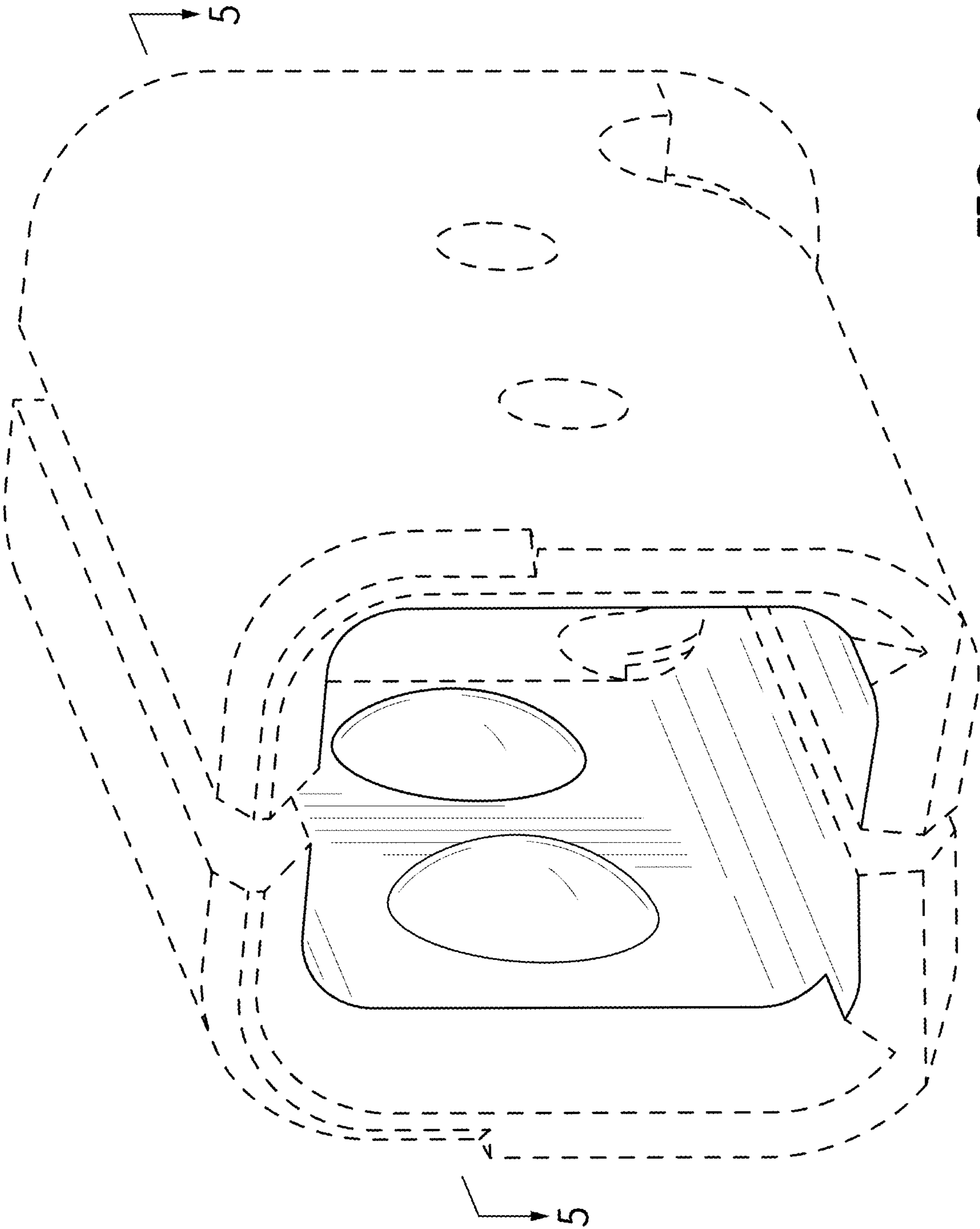


FIG. 3

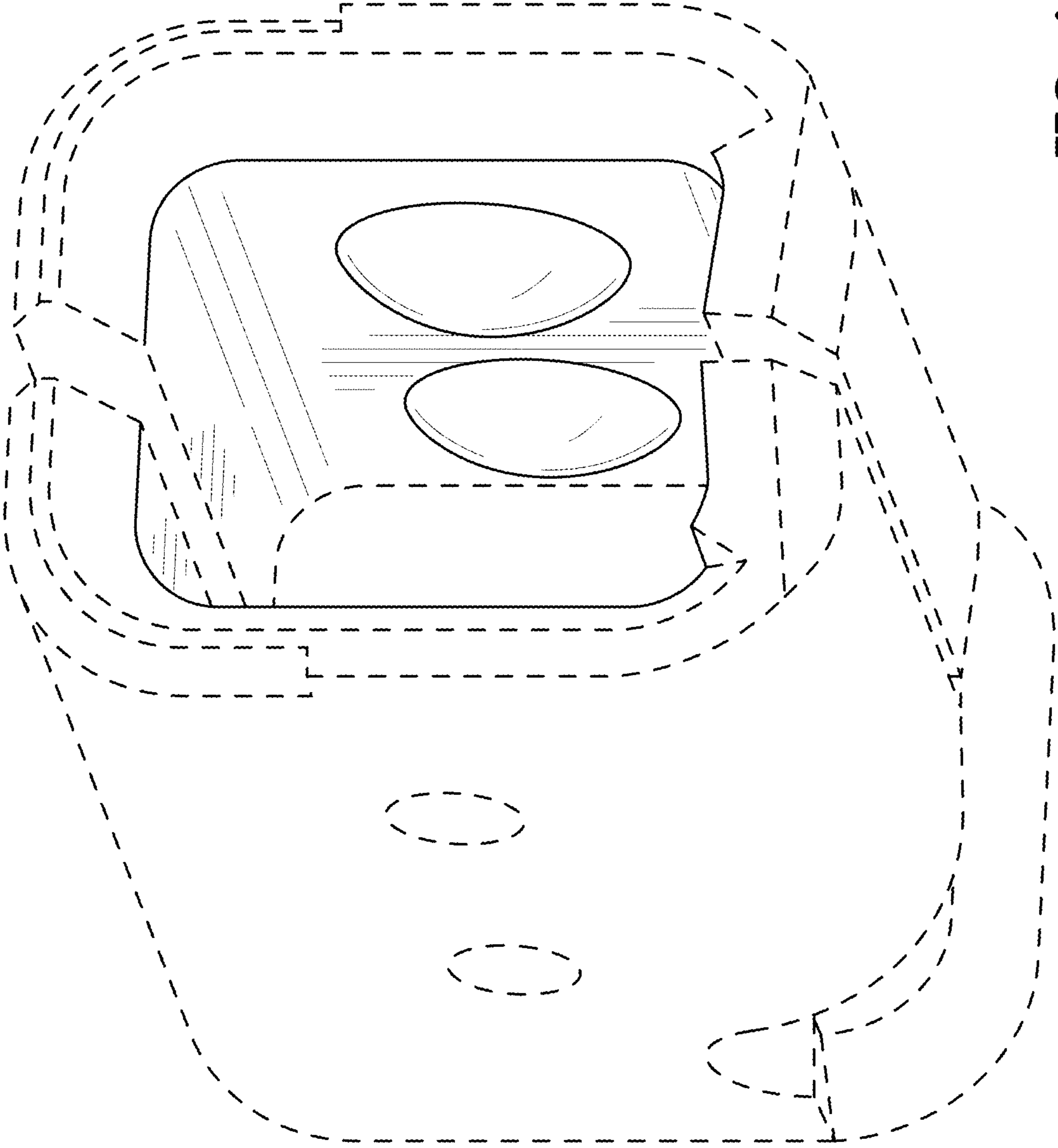


FIG. 4

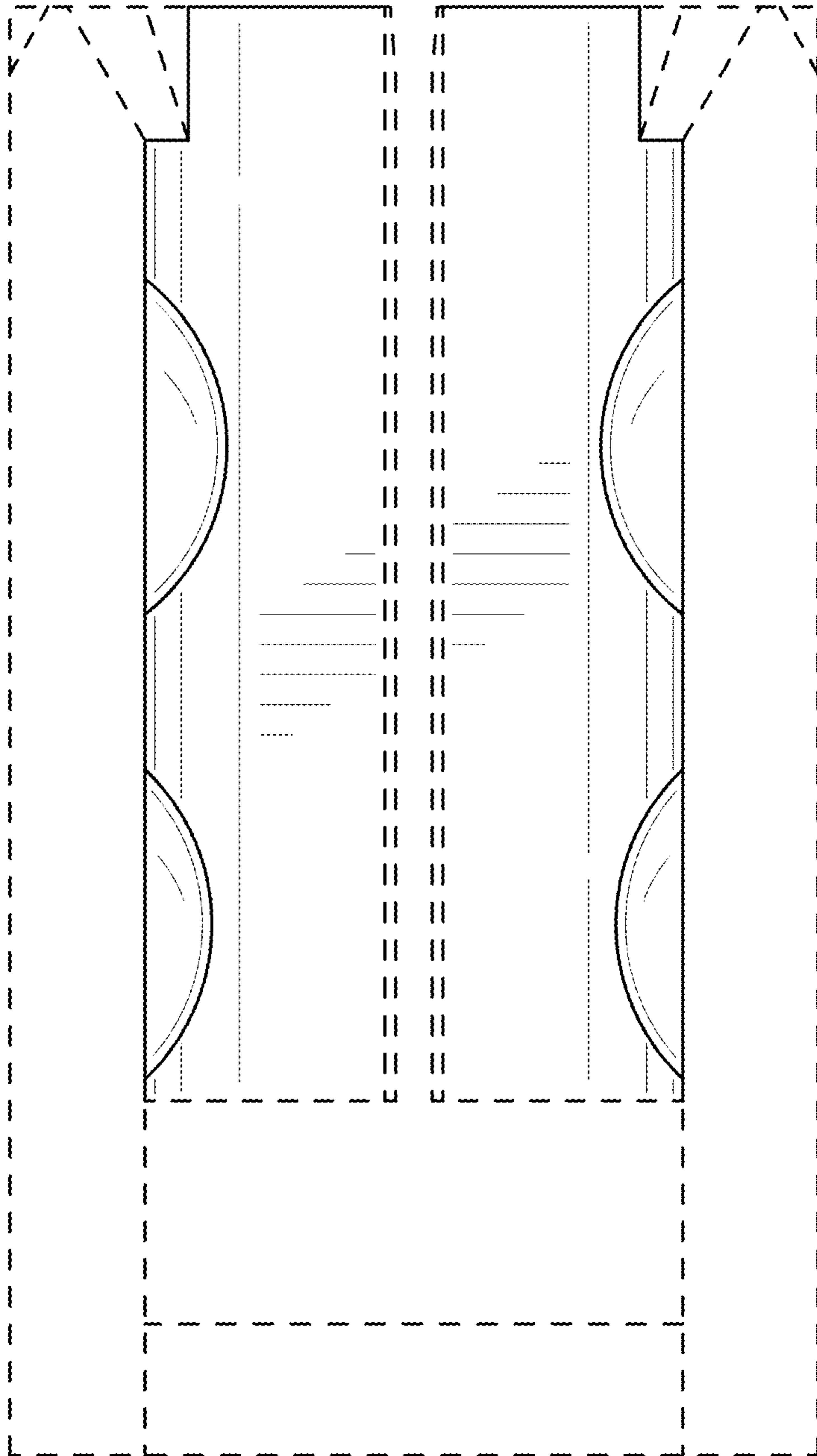


FIG. 5