



US00D890700S

(12) **United States Design Patent** (10) **Patent No.:** **US D890,700 S**  
**Kawamoto et al.** (45) **Date of Patent:** **\*\* Jul. 21, 2020**

- (54) **POWER CONVERTER**
- (71) Applicant: **Cisco Technology, Inc.**, San Jose, CA (US)
- (72) Inventors: **Nicholas James Kaoru Kawamoto**, Novato, CA (US); **Hyunsoo Lee**, San Francisco, CA (US); **Nicholas Dye Abalos**, San Francisco, CA (US); **Ian Matthew Snyder**, San Francisco, CA (US); **Jennifer Ouk**, San Francisco, CA (US)
- (73) Assignee: **CISCO TECHNOLOGY, INC.**, San Jose, CA (US)
- (\*\*) Term: **15 Years**
- (21) Appl. No.: **29/673,146**
- (22) Filed: **Dec. 12, 2018**
- (51) **LOC (12) Cl.** ..... **13-02**
- (52) **U.S. Cl.**  
USPC ..... **D13/110**
- (58) **Field of Classification Search**  
USPC ..... D13/103, 104, 107, 110, 112, 119, 120, D13/133, 156  
CPC ..... H01R 13/641; H02B 1/20; H01M 2/1022; H01M 2/1027; H01M 2/1072; H01M 2/105; H01M 2/1077  
See application file for complete search history.

D426,806 S *	6/2000	Buckle	.....	D13/103
D426,807 S *	6/2000	Buckle	.....	D13/103
D519,918 S *	5/2006	Wilson	.....	D13/103
D610,089 S *	2/2010	Mack	.....	D13/103
D742,823 S *	11/2015	Nitz	.....	D13/103
D777,100 S *	1/2017	Price	.....	D13/103
D812,556 S *	3/2018	Xu	.....	D13/103
D816,606 S *	5/2018	Georgiades	.....	D13/108
D824,385 S *	7/2018	Peiker	.....	D14/356
D837,148 S *	1/2019	Brown	.....	D13/108
D839,189 S *	1/2019	Miller	.....	D13/108

\* cited by examiner

*Primary Examiner* — Susan Bennett Hattan  
*Assistant Examiner* — Suzanne E Tisdell  
(74) *Attorney, Agent, or Firm* — Polsinelli PC

(57) **CLAIM**

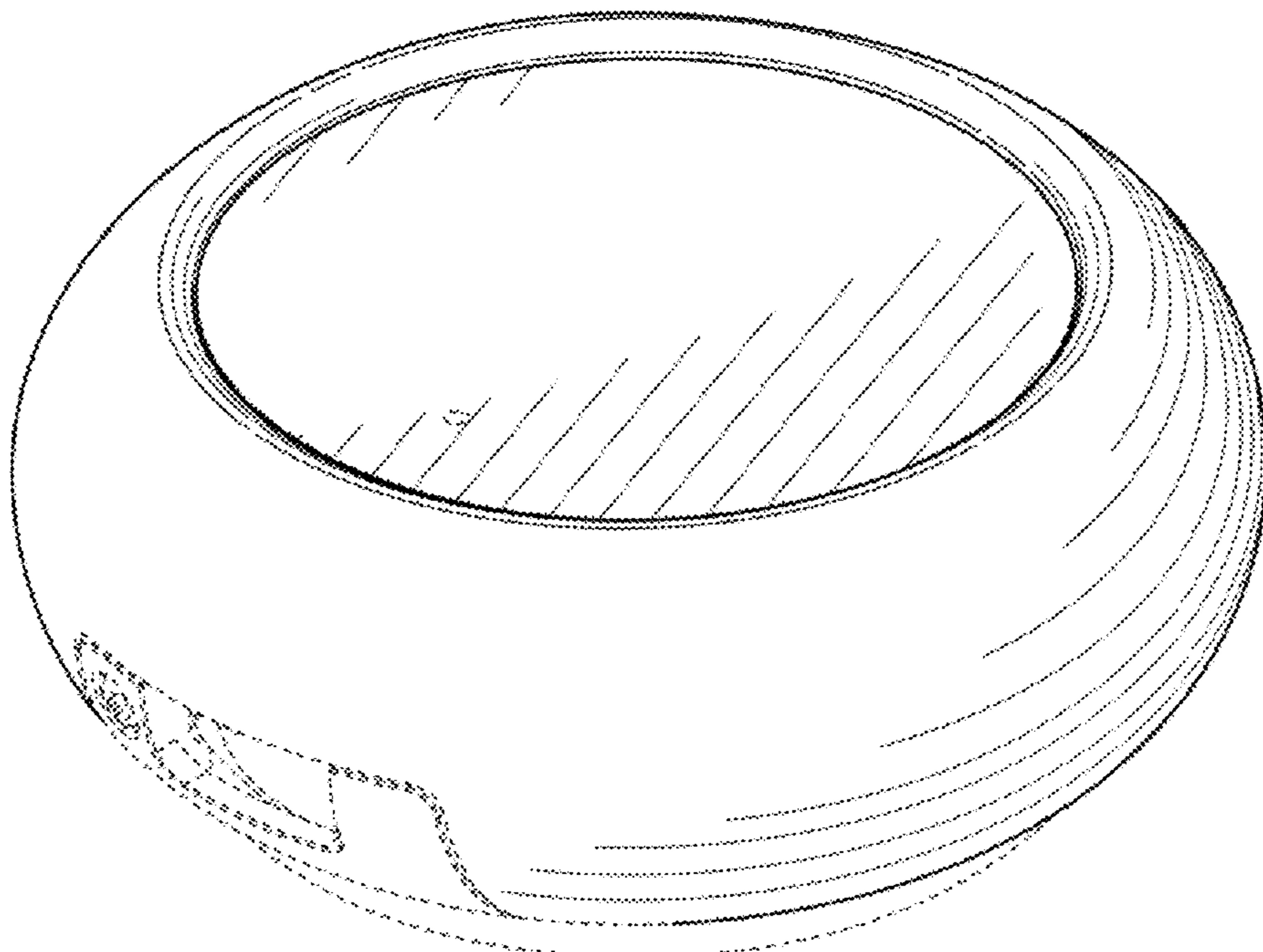
We claim the ornamental design for a power converter, as shown and described.

**DESCRIPTION**

FIG. 1 is a perspective view of a power converter, showing our new design;  
FIG. 2 is a front elevational view thereof;  
FIG. 3 is a rear elevational view thereof;  
FIG. 4 is a right side elevational view thereof;  
FIG. 5 is a left side elevational view thereof;  
FIG. 6 is a top plan view thereof; and,  
FIG. 7 is a bottom plan view thereof.  
Broken lines are for illustrating unclaimed portions of the power converter; the broken lines form no part of the claimed design.

**1 Claim, 5 Drawing Sheets**

- (56) **References Cited**
- U.S. PATENT DOCUMENTS
- D425,477 S \* 5/2000 Buckle ..... D13/103  
D426,517 S \* 6/2000 Buckle ..... D13/103



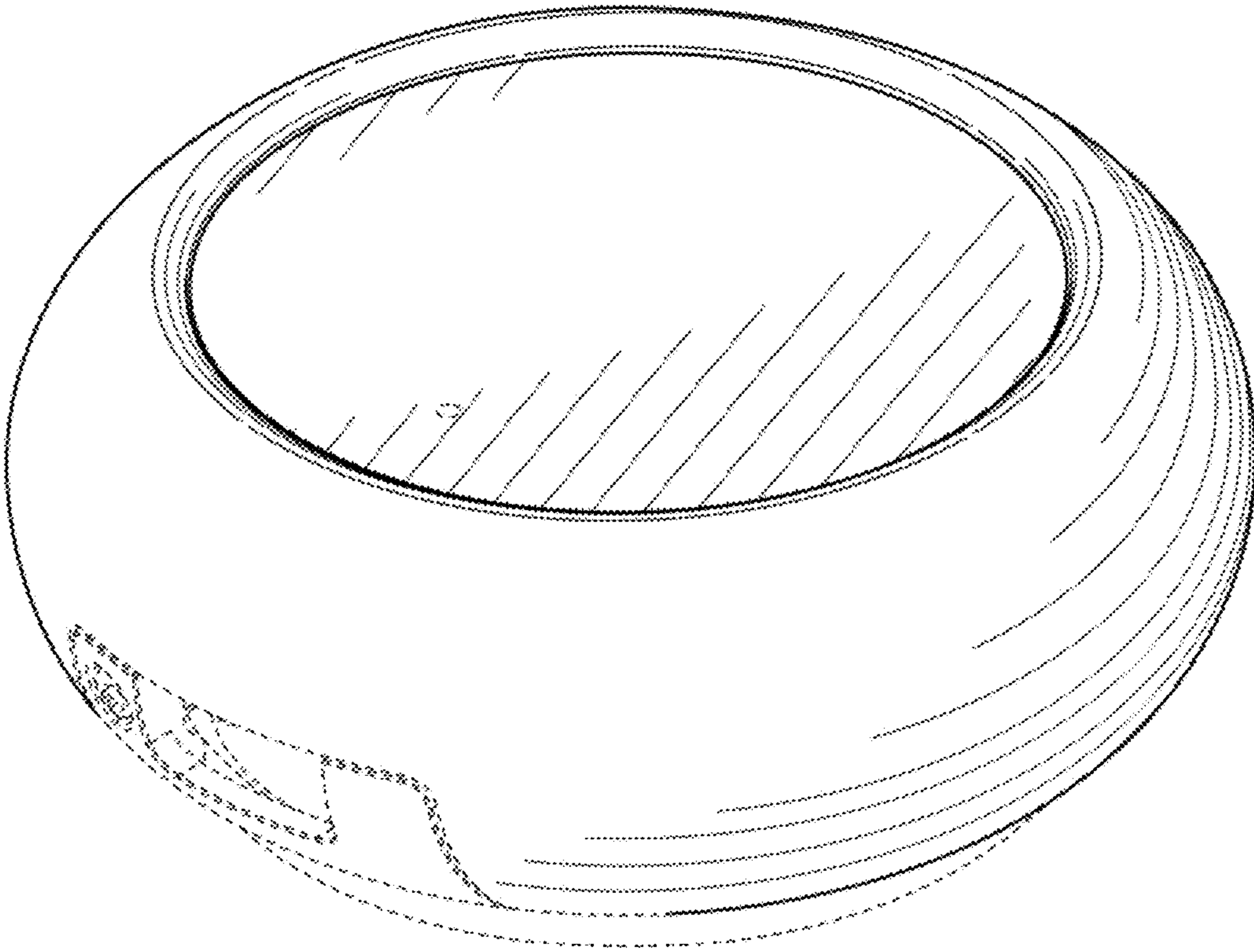


FIG. 1

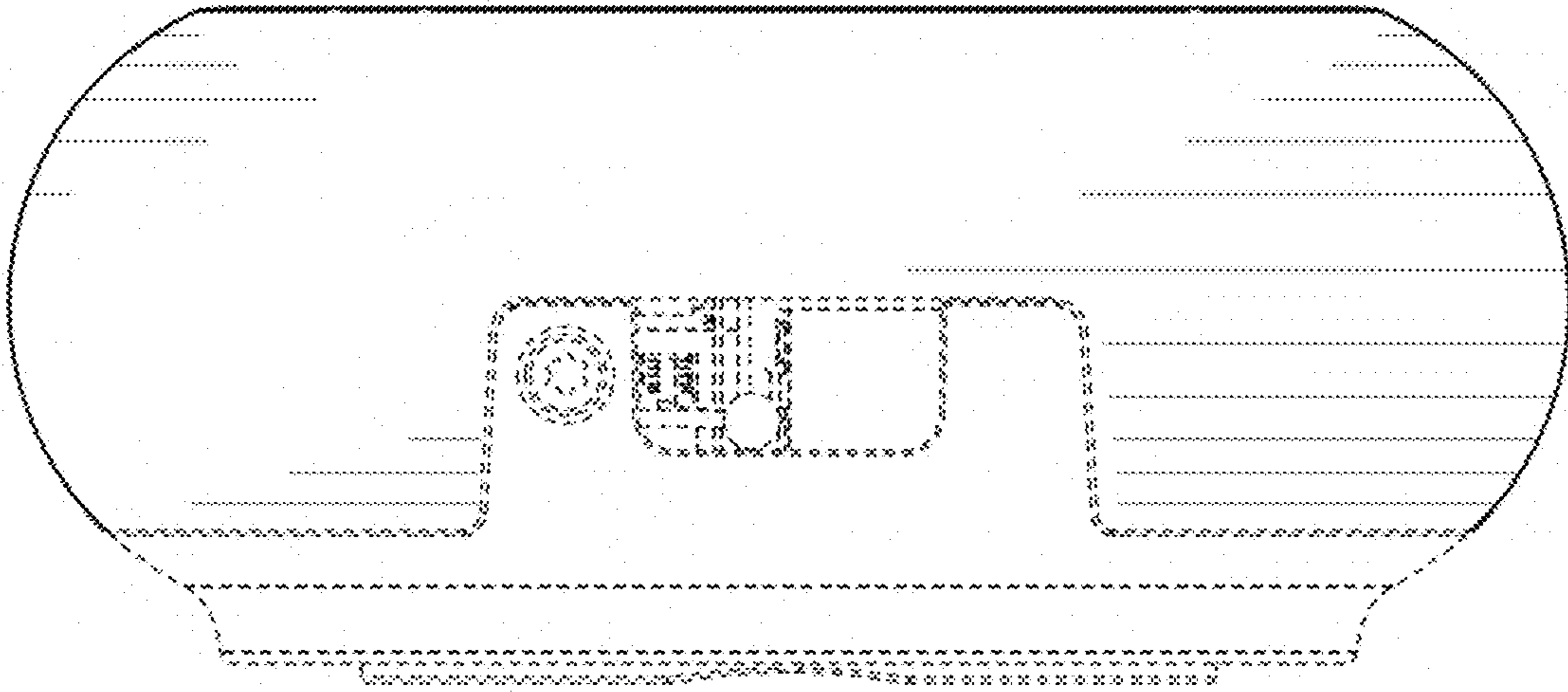


FIG. 2

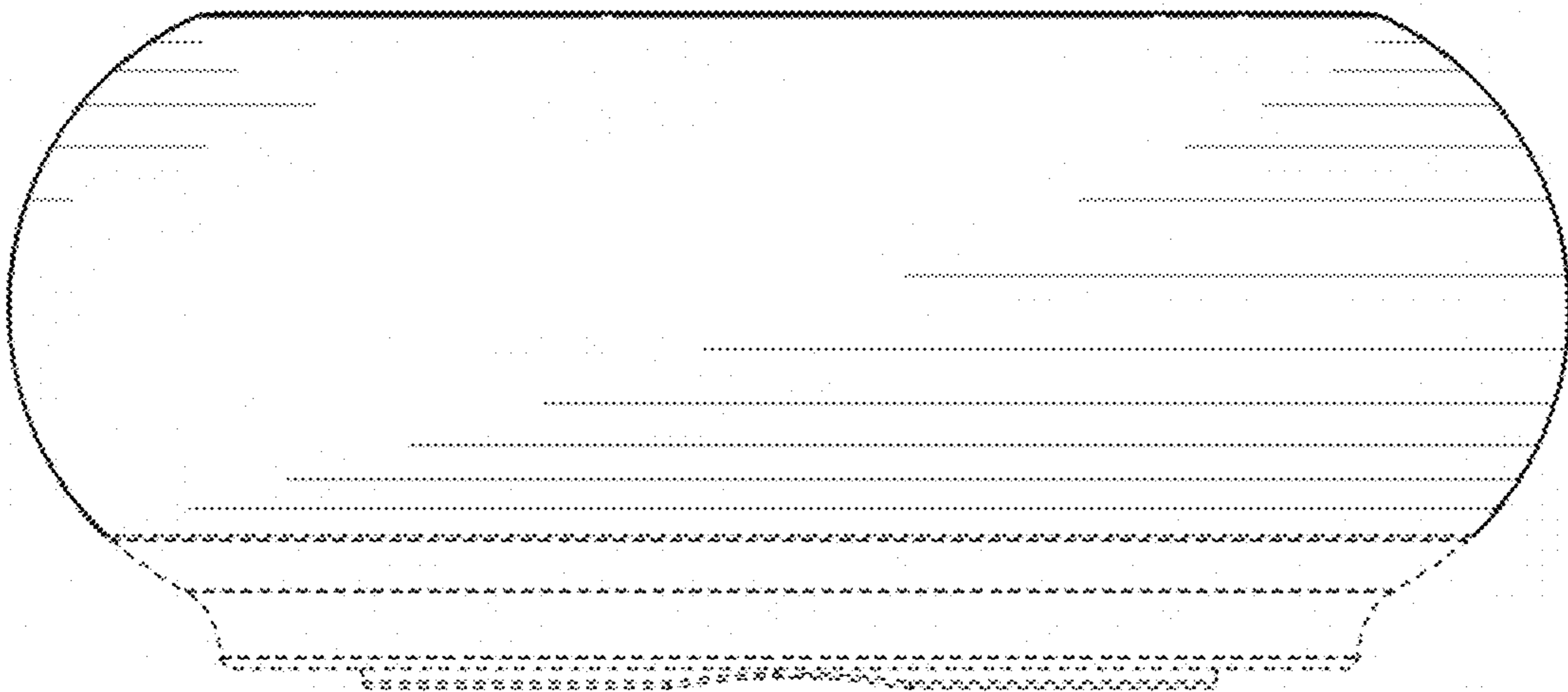


FIG. 3

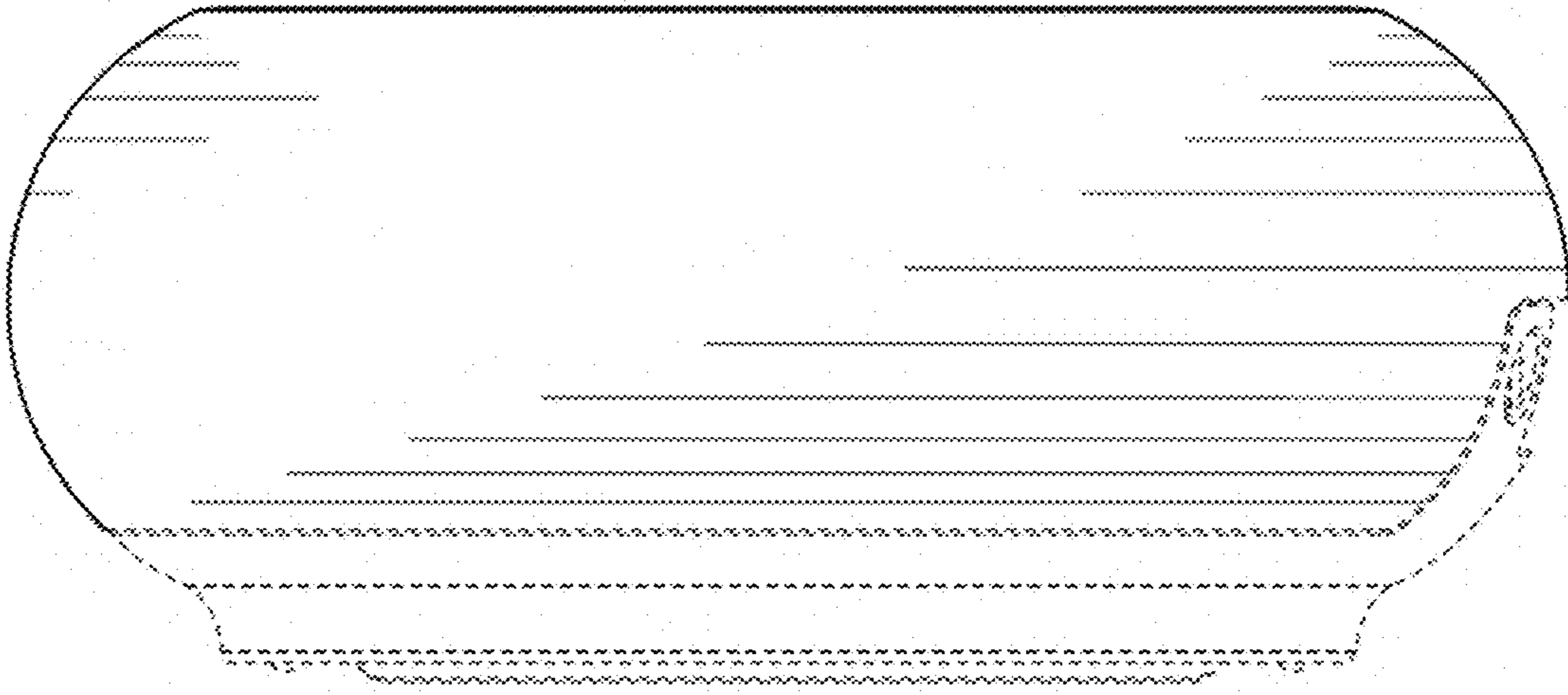


FIG. 4

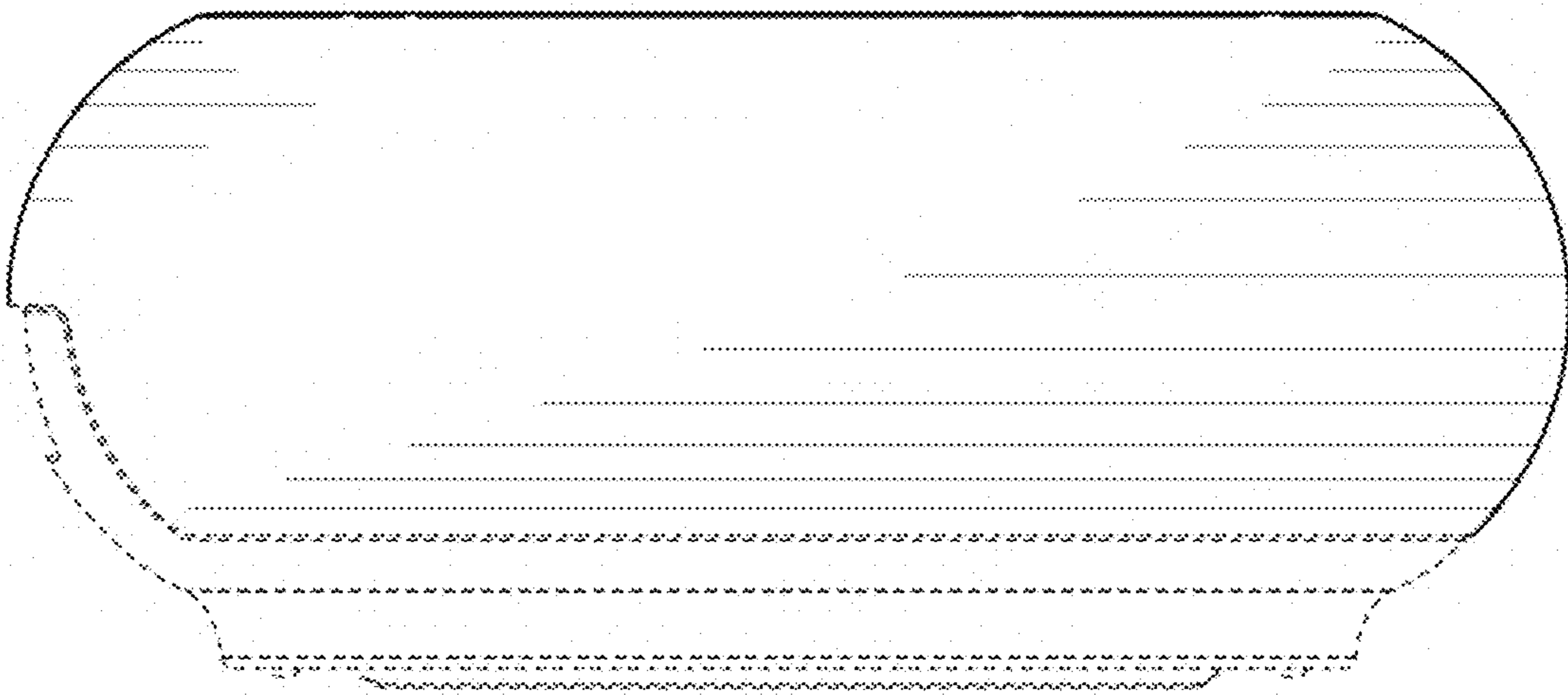


FIG. 5

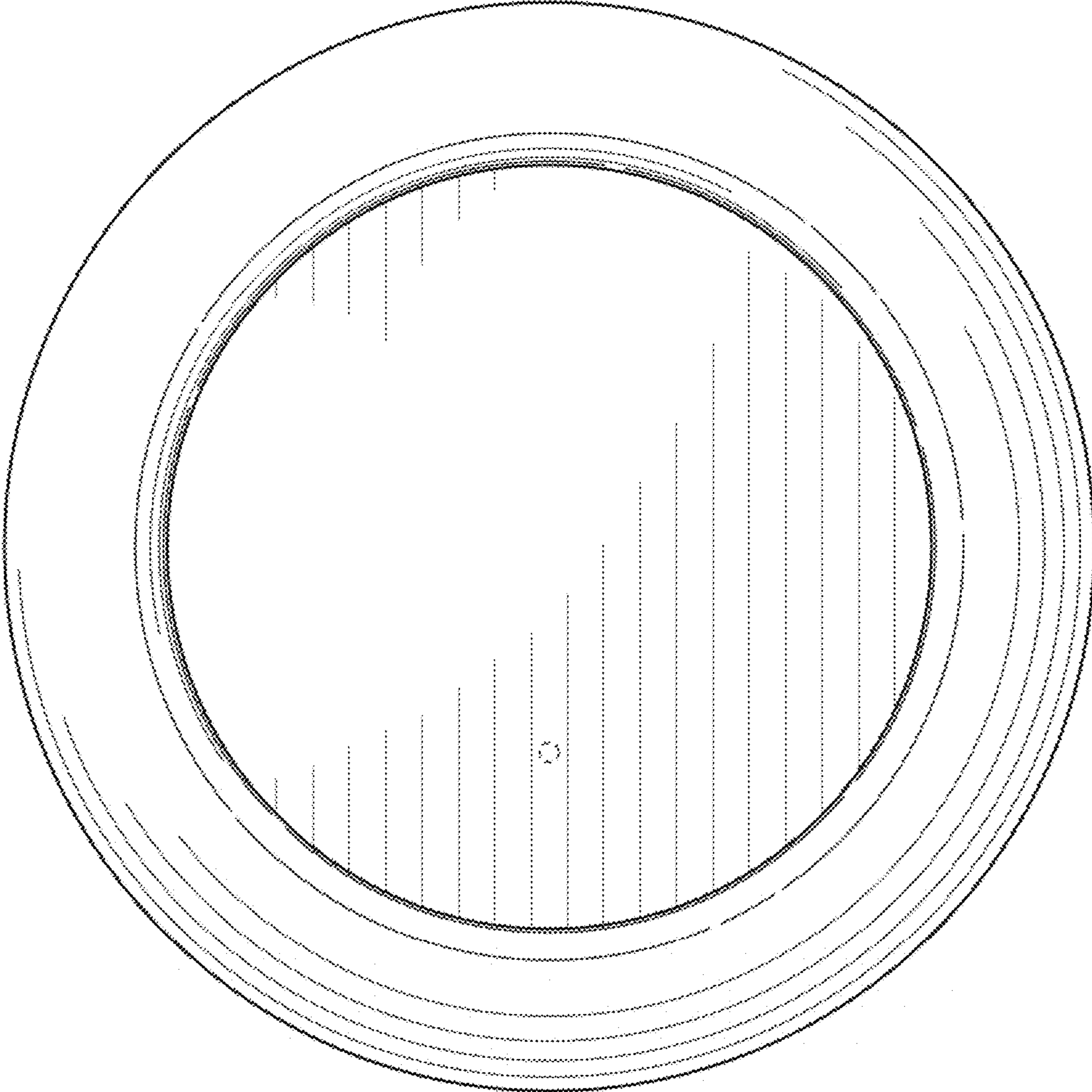


FIG. 6

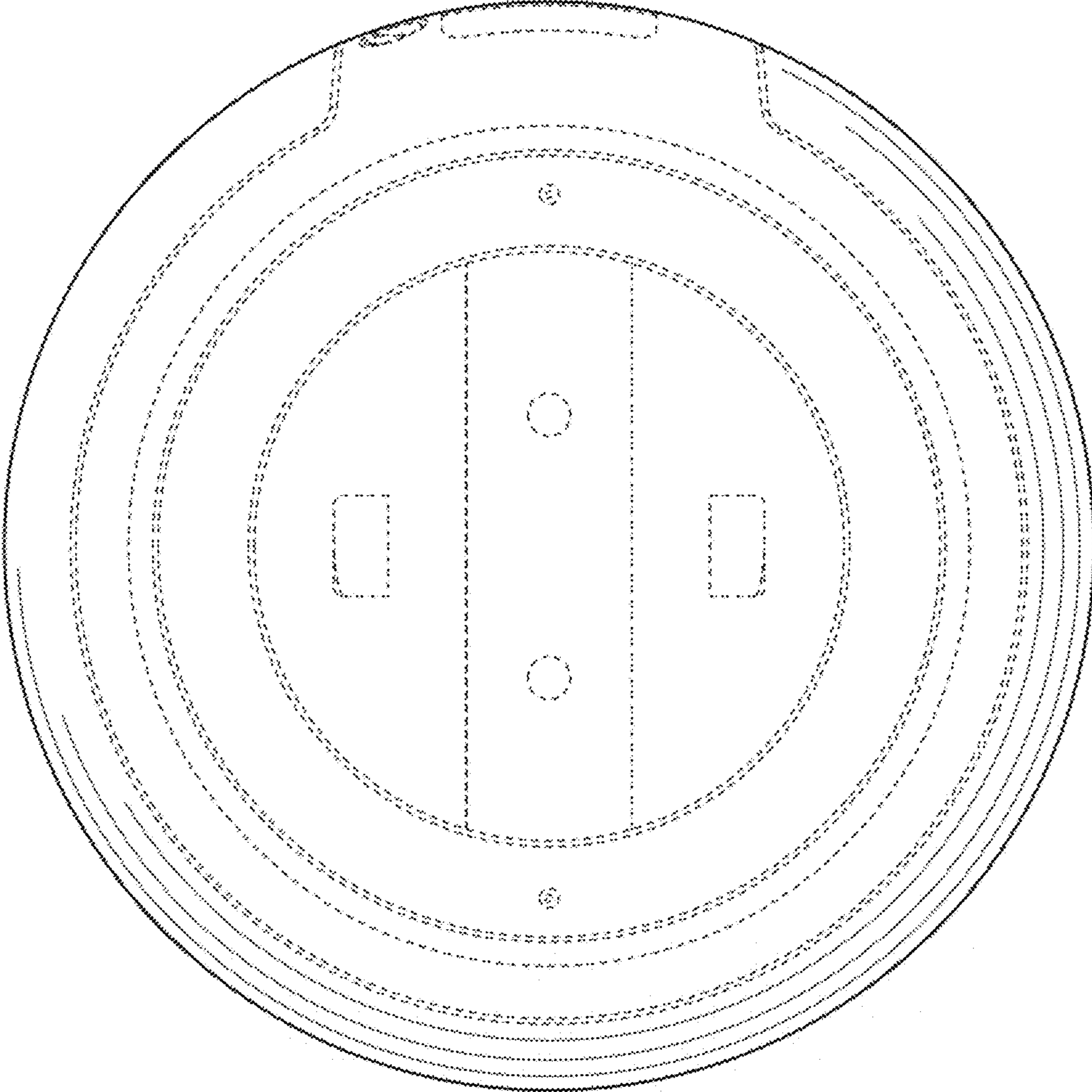


FIG. 7