



US00D890698S

(12) **United States Design Patent** (10) **Patent No.:** **US D890,698 S**  
**Liu** (45) **Date of Patent:** **\*\* Jul. 21, 2020**

(54) **POWER BANK**  
(71) Applicant: **Guangzhou Rimsea Technology Co., Ltd., Guangdong (CN)**  
(72) Inventor: **Bingbin Liu, Guangdong (CN)**  
(\*\*) Term: **15 Years**  
(21) Appl. No.: **29/687,284**  
(22) Filed: **Apr. 11, 2019**  
(51) **LOC (12) Cl.** ..... **13-02**  
(52) **U.S. Cl.**  
USPC ..... **D13/108; D13/103**  
(58) **Field of Classification Search**  
USPC ..... D13/103, 107-108, 110, 184, 199;  
D27/193, 194  
CPC ..... H02J 7/0044; H02J 7/0045; H02J 7/0042;  
H02J 7/342; H02J 7/345; H02J 7/025;  
H02J 7/0007; H02J 7/0027; B60R 16/033  
See application file for complete search history.

D717,243 S \* 11/2014 Liu ..... D13/103  
D742,310 S \* 11/2015 Yen ..... D13/108  
D760,647 S \* 7/2016 Chen ..... D13/103  
D762,170 S \* 7/2016 Lei ..... D13/108  
D763,185 S \* 8/2016 Wen ..... D13/103  
D786,192 S \* 5/2017 Liu ..... D13/107  
D812,000 S \* 3/2018 Li ..... D13/108  
D814,405 S \* 4/2018 Hahn ..... D13/107  
D821,306 S \* 6/2018 Liu ..... D13/107  
D826,854 S \* 8/2018 Roberts ..... D13/108  
D872,011 S \* 1/2020 Rao ..... D13/107  
D874,396 S \* 2/2020 Rao ..... D13/107  
2016/0359352 A1 \* 12/2016 Chiu ..... F02N 11/12  
2018/0166897 A1 \* 6/2018 Deng ..... H02J 7/0044

\* cited by examiner

*Primary Examiner* — Rosemary K Tarcza  
(74) *Attorney, Agent, or Firm* — Prakash Nama; Global IP Services, PLLC

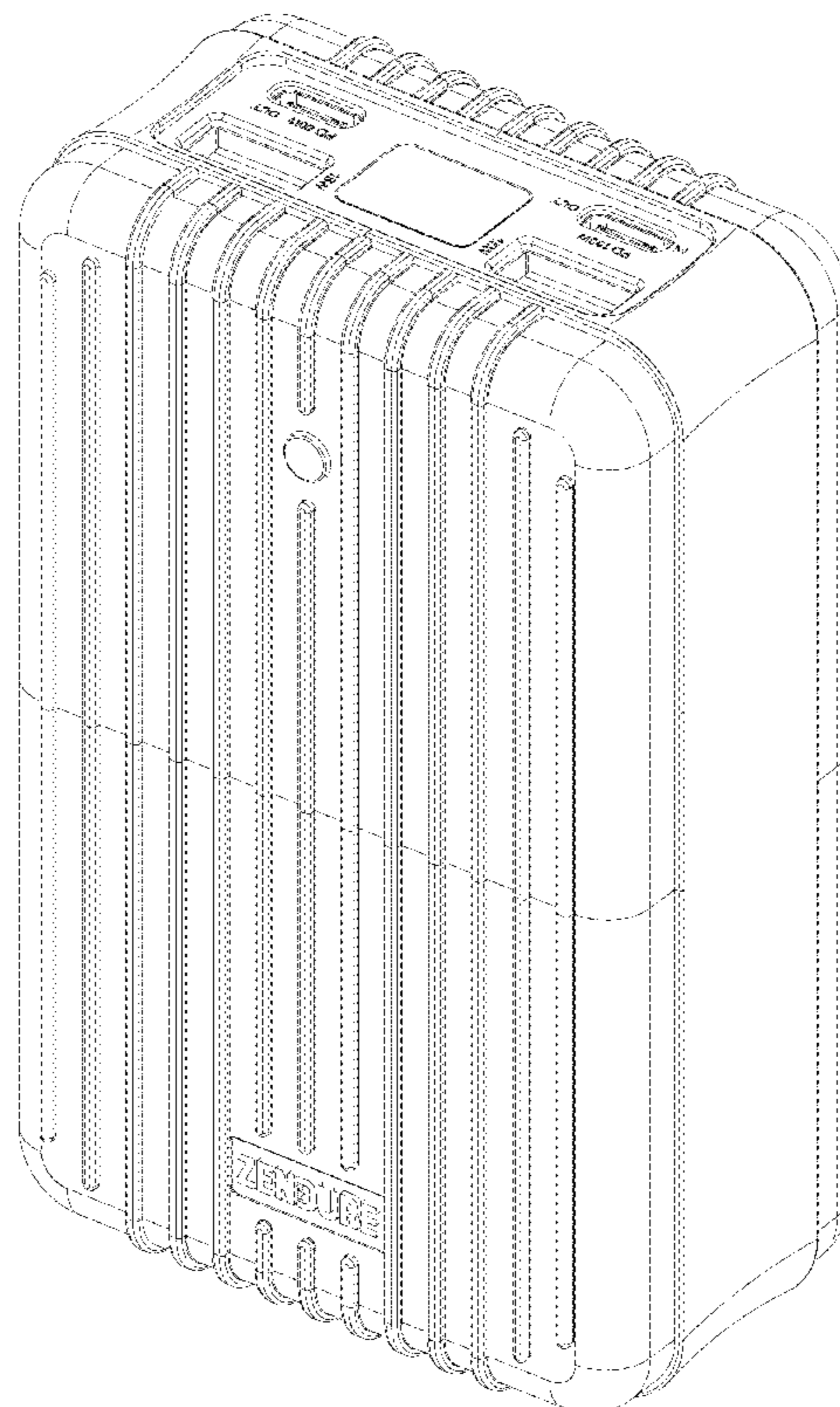
(57) **CLAIM**  
The ornamental design for a power bank, as shown.

**DESCRIPTION**

FIG. 1 is a front elevational view of a power bank showing my new design;  
FIG. 2 is a rear elevational view thereof;  
FIG. 3 is a left side view thereof;  
FIG. 4 is a right side view thereof;  
FIG. 5 is a top plan view thereof;  
FIG. 6 is a bottom plan view thereof;  
FIG. 7 is a perspective view thereof; and,  
FIG. 8 is another perspective view thereof.

**1 Claim, 8 Drawing Sheets**

(56) **References Cited**  
U.S. PATENT DOCUMENTS  
5,130,891 A \* 7/1992 Christie ..... B60R 11/02  
330/65  
D667,788 S \* 9/2012 Mai ..... D13/110  
D704,135 S \* 5/2014 Stewart ..... D13/108  
D705,721 S \* 5/2014 Huang ..... D13/103  
D711,318 S \* 8/2014 Xinfang ..... D13/103  
D712,351 S \* 9/2014 Zeng ..... D13/103  
D713,786 S \* 9/2014 Wen ..... D13/103



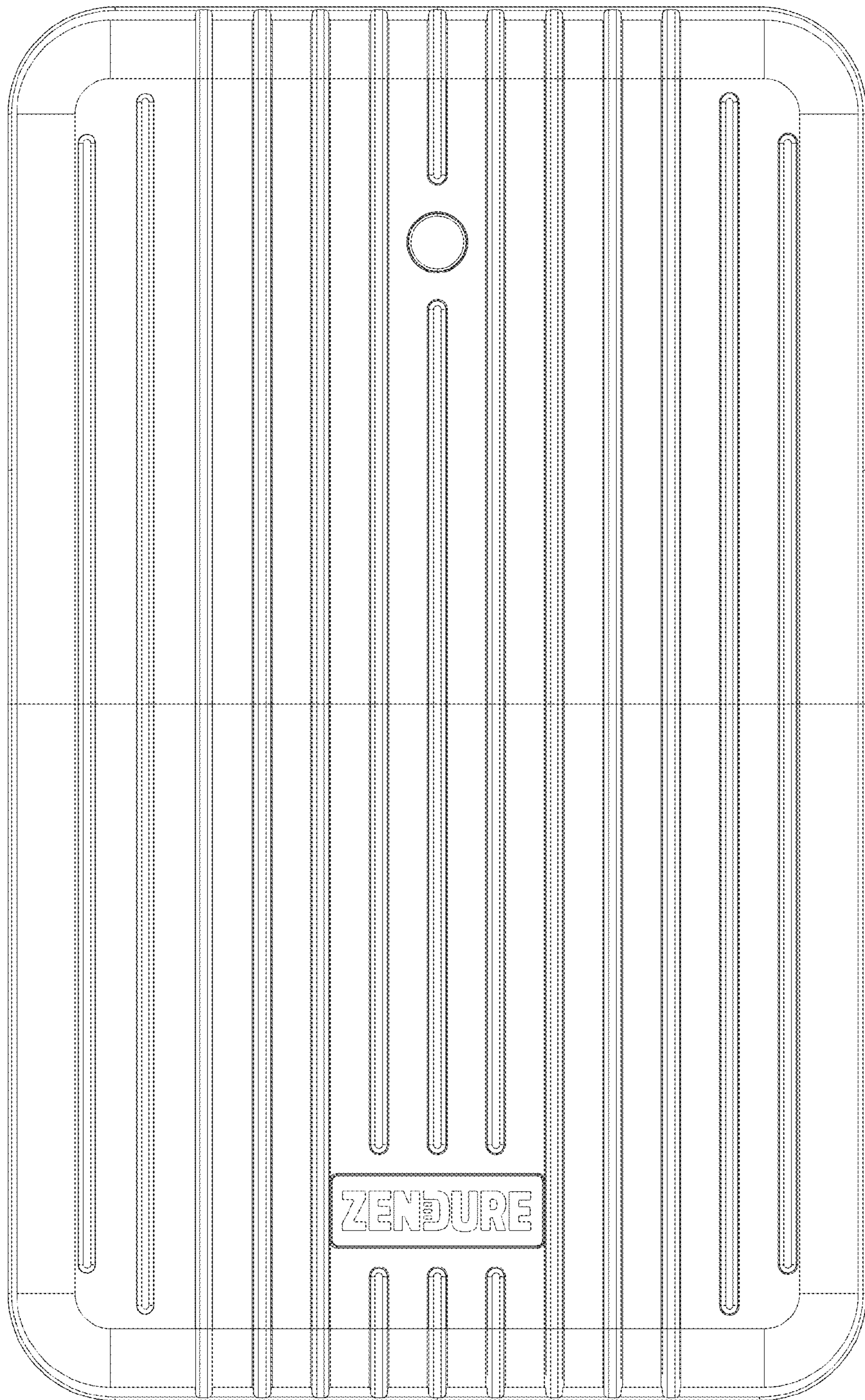


Fig. 1

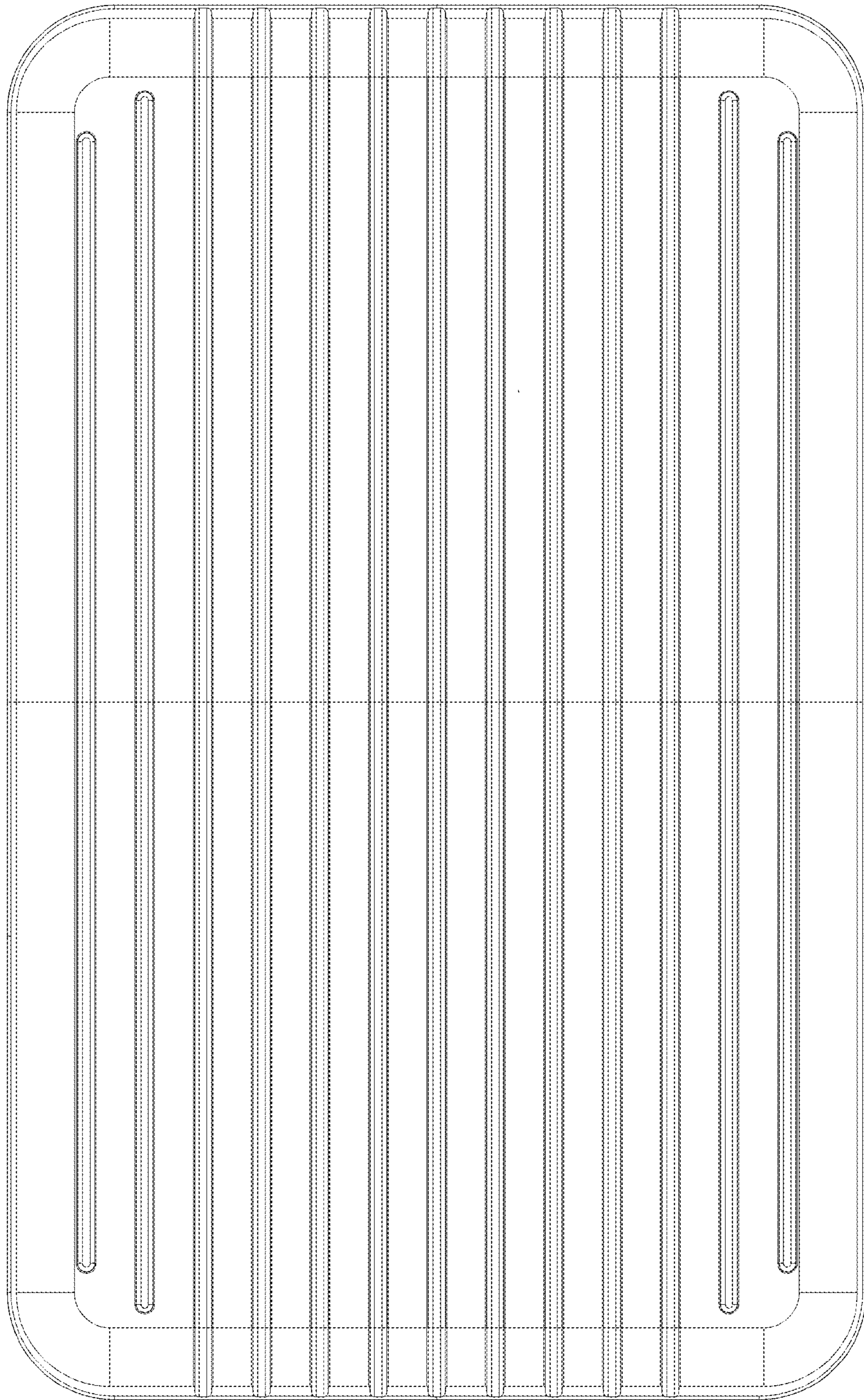


Fig. 2

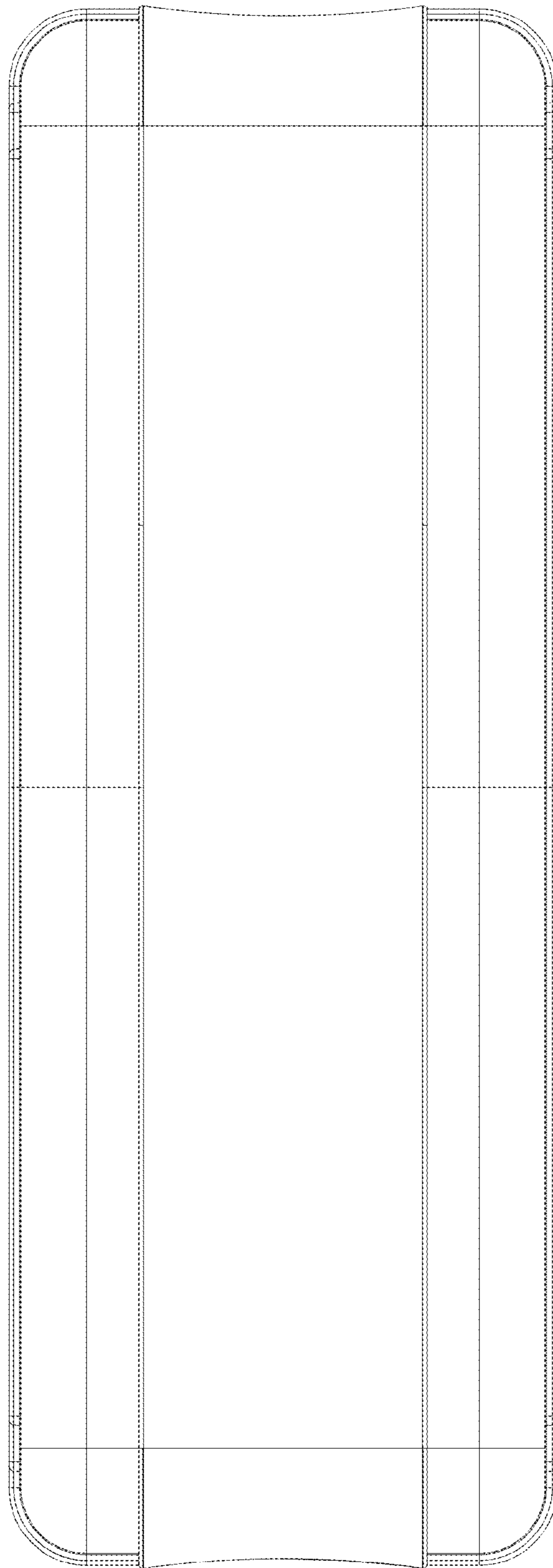


Fig. 3

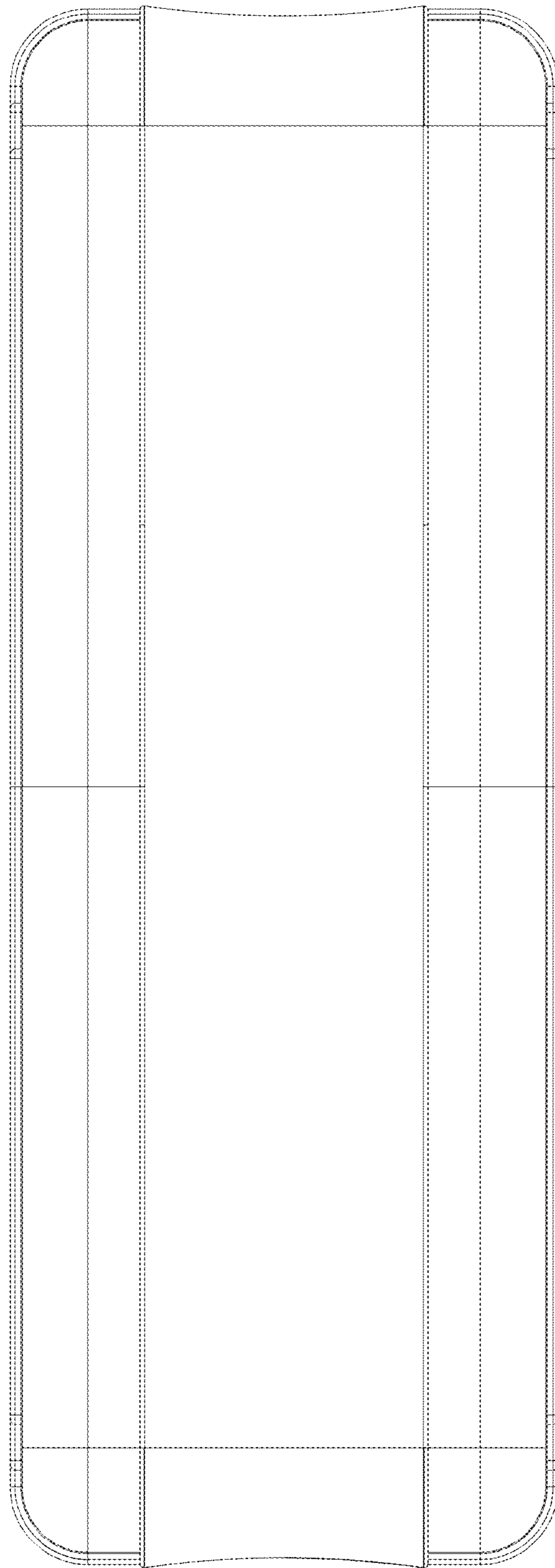


Fig. 4

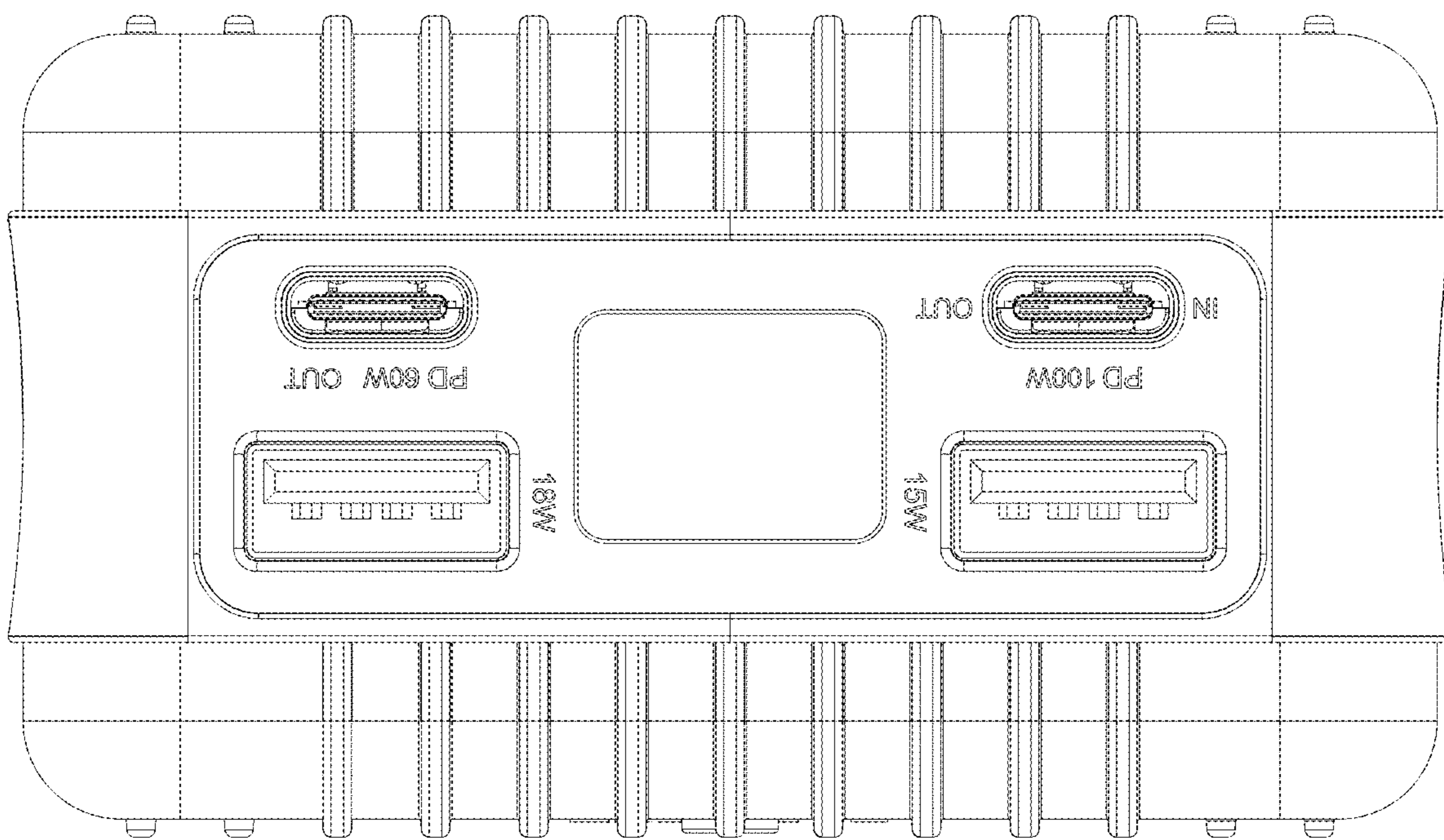


Fig. 5

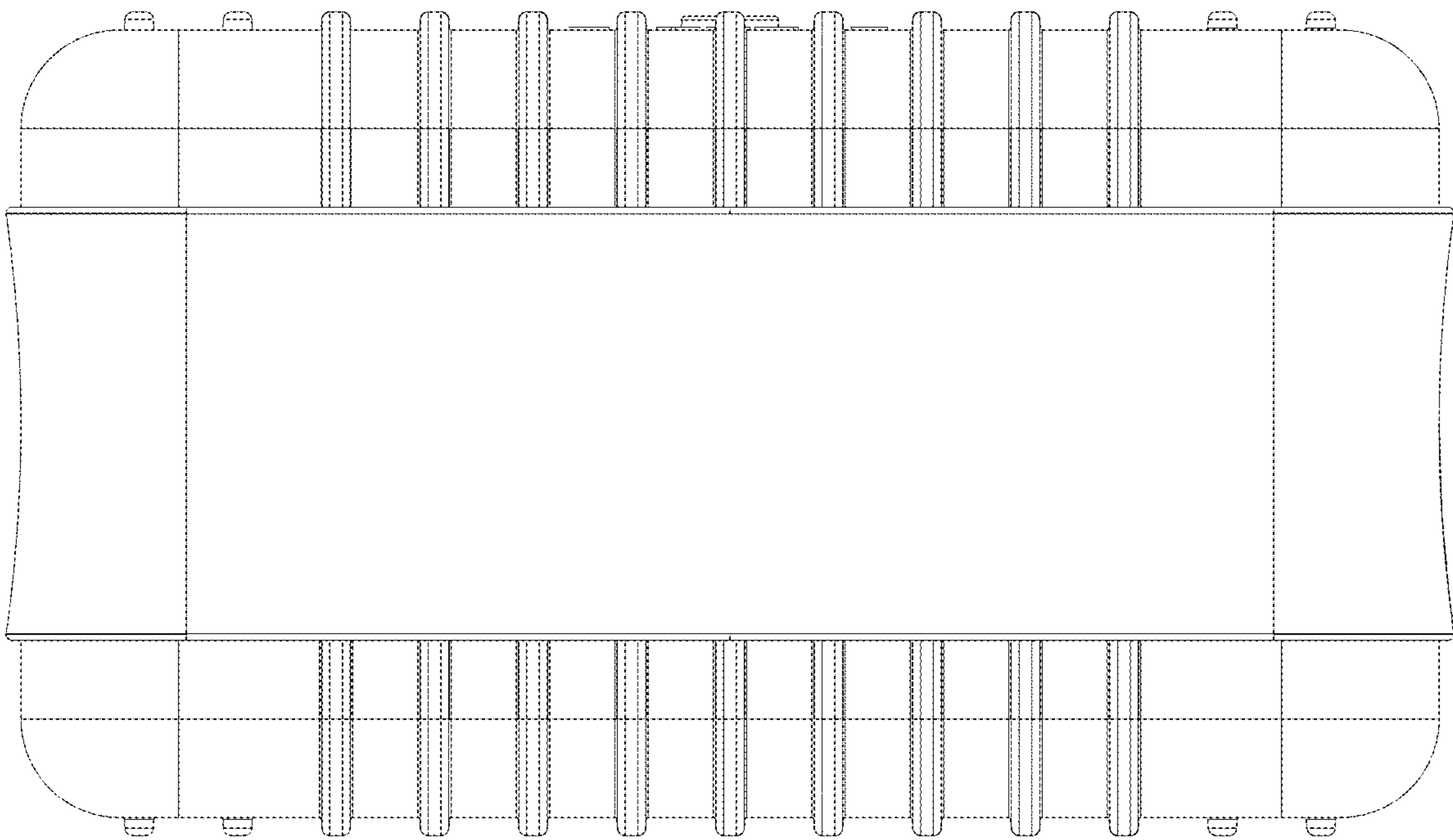


Fig. 6

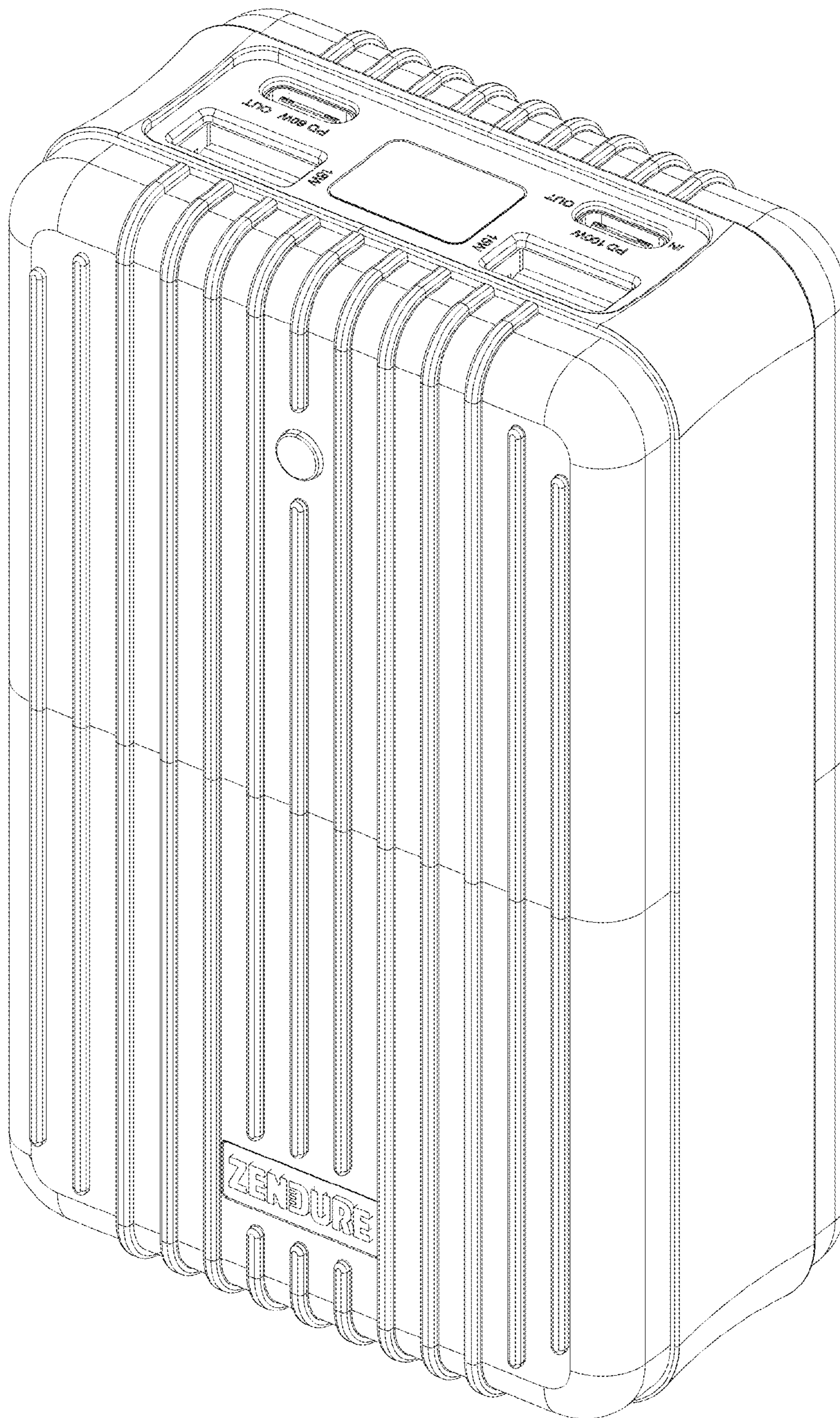


Fig. 7



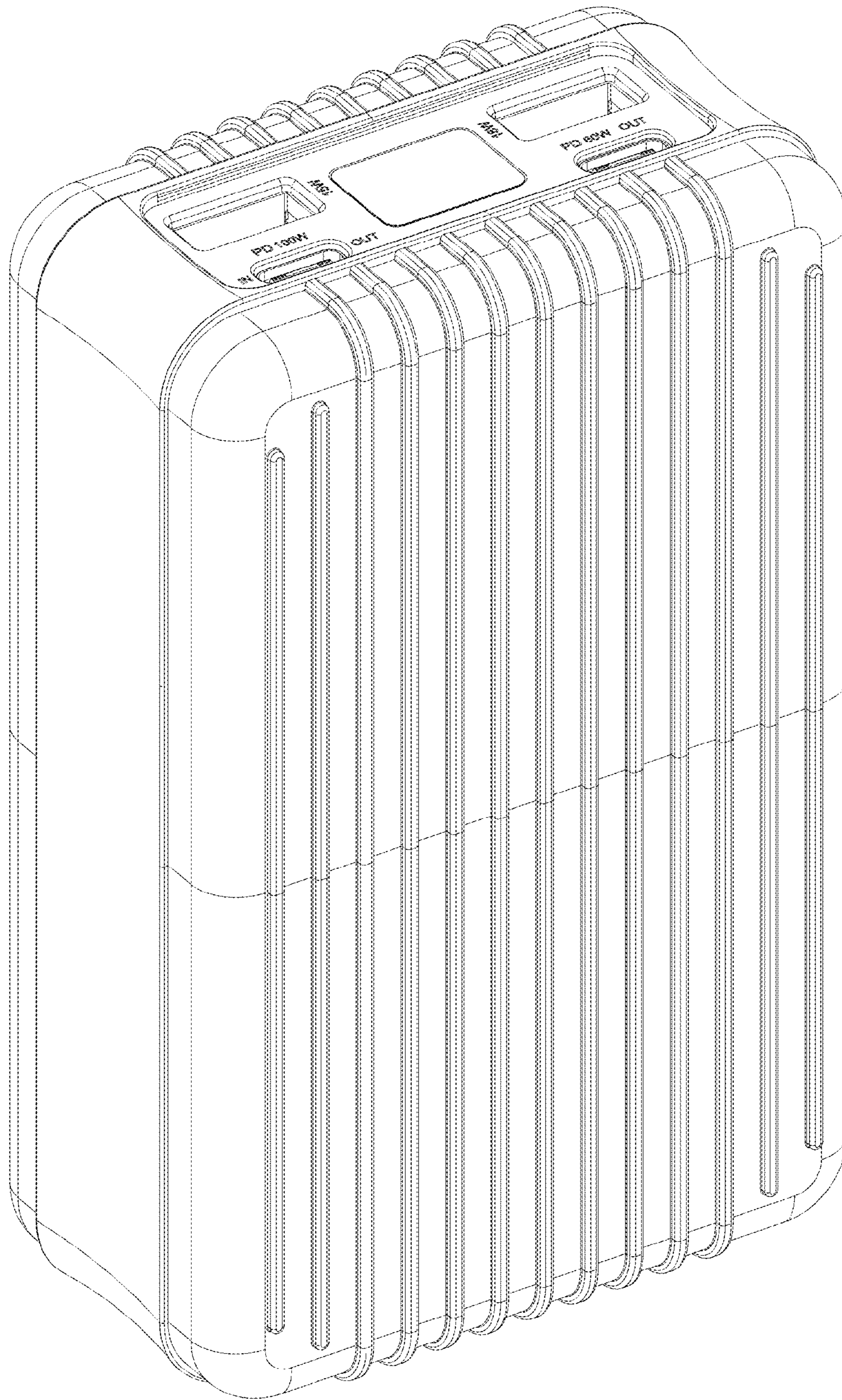


Fig. 8