



US00D890693S

(12) **United States Design Patent**
Gao

(10) **Patent No.:** **US D890,693 S**

(45) **Date of Patent:** **** Jul. 21, 2020**

(54) **BATTERY PACK WITH AIR COMPRESSOR**

(56)

References Cited

(71) Applicant: **Jiangsu Ecady Machinery Industry Group Co., Ltd., Kunshan (CN)**

(72) Inventor: **Heping Gao, Kunshan (CN)**

(73) Assignee: **Jiangsu Ecady Machinery Industry Group Co., Ltd. (CN)**

(**) Term: **15 Years**

(21) Appl. No.: **29/649,253**

(22) Filed: **May 29, 2018**

(51) **LOC (12) Cl.** **13-02**

(52) **U.S. Cl.**
USPC **D13/103**

(58) **Field of Classification Search**
USPC D13/103, 107, 108, 110, 133,
D13/137.1–137.4, 138.1–138.2,
D13/139.1–139.8, 146, 147, 151–156,
D13/173, 177, 199; D14/432, 433, 435.1,
D14/250; D15/7–9; D8/350, 353–356;
D23/231, 232

CPC Y02E 60/12; Y02E 60/122; Y02E 60/124;
Y02E 60/50; H01M 2/02; H01M 2/022;
H01M 2/0202; H01M 2/0207; H01M
2/0212; H01M 2/1061; H01M 2/1022;
H01M 2/1055; H01M 2/1066; H01M
2/105; H01M 2/204; Y02T 10/7005;
Y02T 10/705; Y02T 10/7088; H02J 7/00;
H02J 7/0003; H02J 7/0011; H02J 7/0013;
H02J 7/0054; H02J 7/0055; H02J 7/0057;
H01R 11/00; H01R 9/00; H01R 13/00;
H01R 13/04; H01R 13/10; H01R
13/6666; H01R 13/6675; H01R 25/00;
H01R 25/006; H01H 2207/00; H01H
2207/022

See application file for complete search history.

U.S. PATENT DOCUMENTS

D493,418 S *	7/2004	Krieger	D13/107
D514,508 S *	2/2006	Krieger	D13/107
D527,340 S *	8/2006	Christiani	D13/107
D609,632 S *	2/2010	Daniels	D13/107
D609,633 S *	2/2010	Daniels	D13/107
D609,634 S *	2/2010	Daniels	D13/107
D609,635 S *	2/2010	Daniels	D13/107
D620,881 S *	8/2010	Daniels	D13/107
D624,493 S *	9/2010	Daniels	D13/107
D702,181 S *	4/2014	Maki	D13/107
D729,728 S *	5/2015	Inskeep	D13/107
D742,308 S *	11/2015	James	D13/107
D742,821 S *	11/2015	James	D13/107
D761,200 S *	7/2016	Inskeep	D13/107
D811,324 S *	2/2018	Inskeep	D13/107
D815,039 S *	4/2018	Wen	D13/110
D823,789 S *	7/2018	Yang	D13/107
D833,386 S *	11/2018	Tschopp	D13/107
D835,575 S *	12/2018	Wen	D13/107
D837,149 S *	1/2019	Yin	D13/108
D848,364 S *	5/2019	Tang	D13/103

(Continued)

Primary Examiner — Rosemary K Tarcza

Assistant Examiner — Christy M Nemeth

(57)

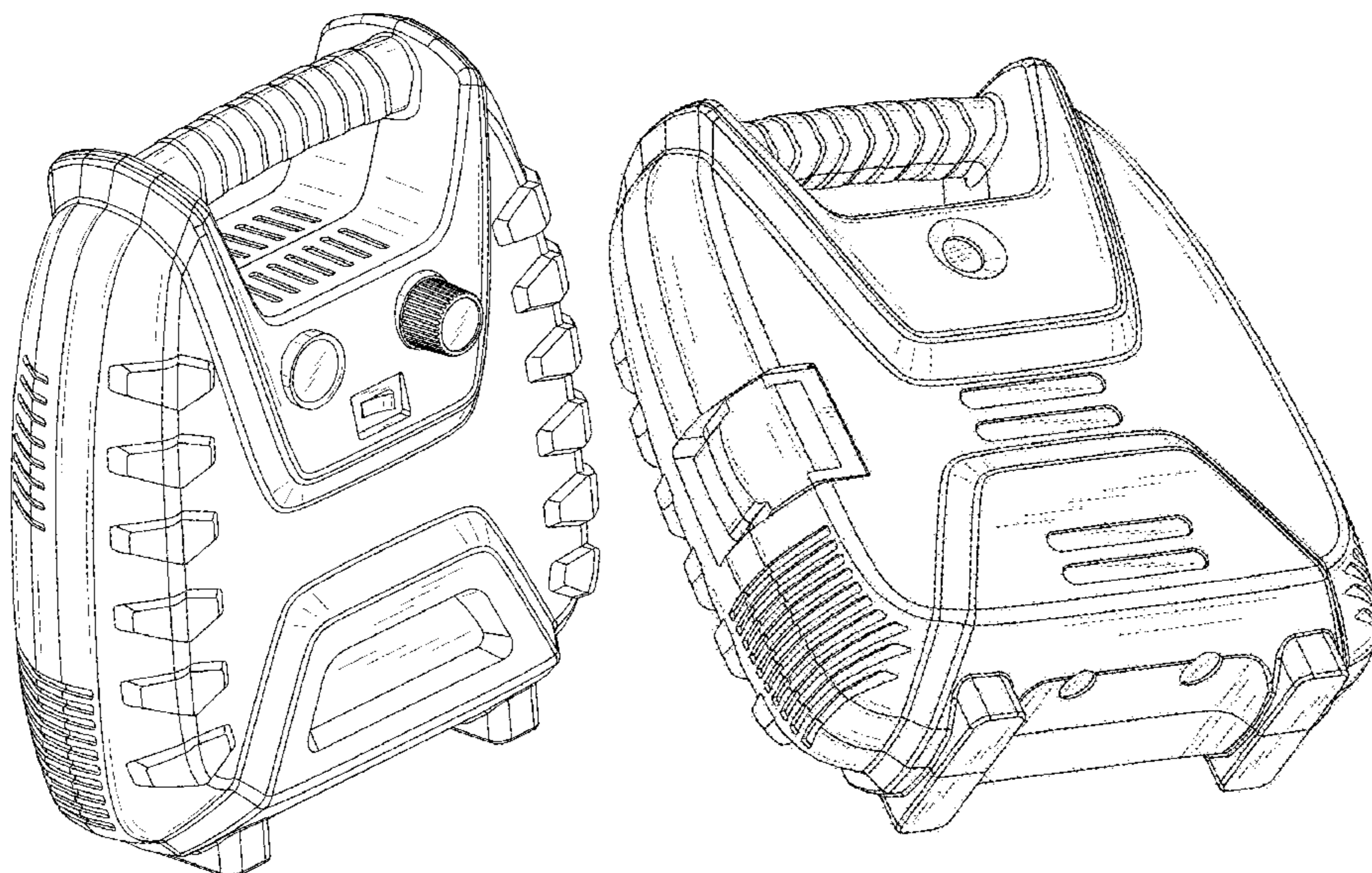
CLAIM

The ornamental design for a battery pack with air compressor, as shown and described.

DESCRIPTION

FIG. 1 is a front view of the battery pack with air compressor showing my new design;
FIG. 2 is a back view thereof;
FIG. 3 is a left side view thereof;
FIG. 4 is a right side view thereof;
FIG. 5 is a top view thereof;
FIG. 6 is a bottom view thereof;
FIG. 7 is a perspective view thereof; and,
FIG. 8 is another perspective view thereof.

1 Claim, 7 Drawing Sheets



(56)

References Cited

U.S. PATENT DOCUMENTS

D854,496 S	*	7/2019	Yin	D13/108
D856,924 S	*	8/2019	Yang	D13/108
D870,042 S	*	12/2019	Chen	D13/110
D870,043 S	*	12/2019	Xu	D13/110
D871,334 S	*	12/2019	Chen	D13/110

* cited by examiner

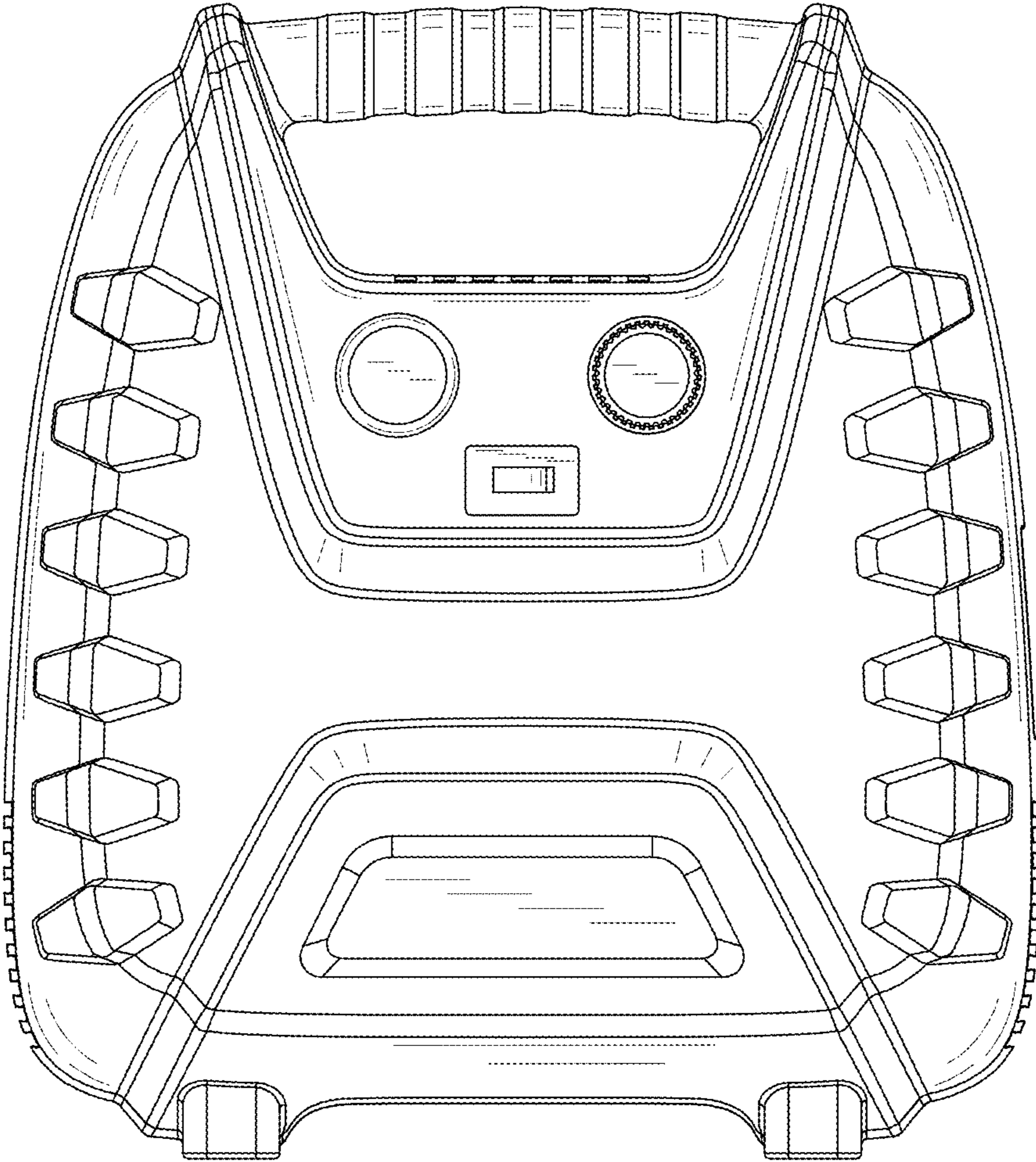


Fig.1

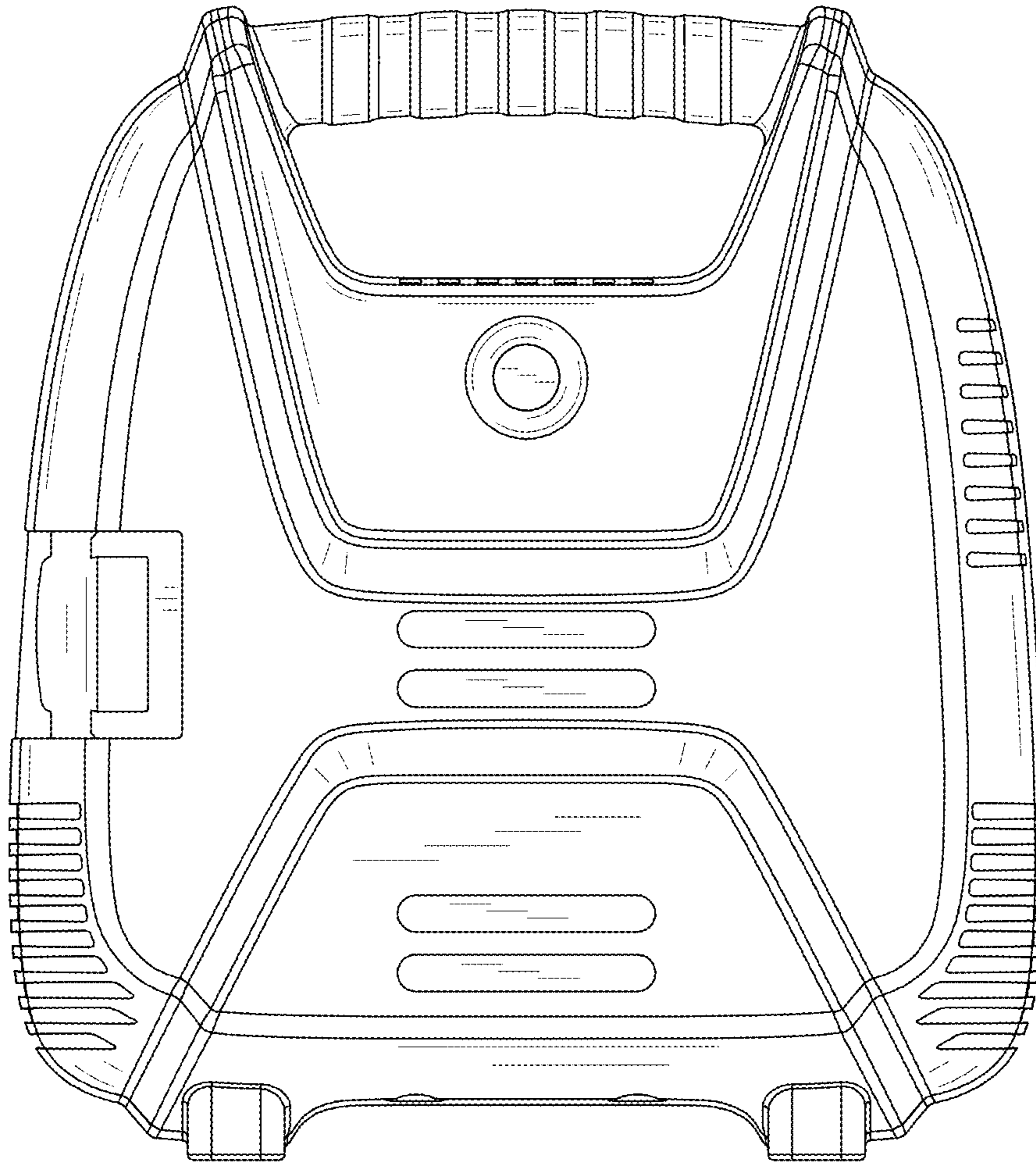


Fig.2

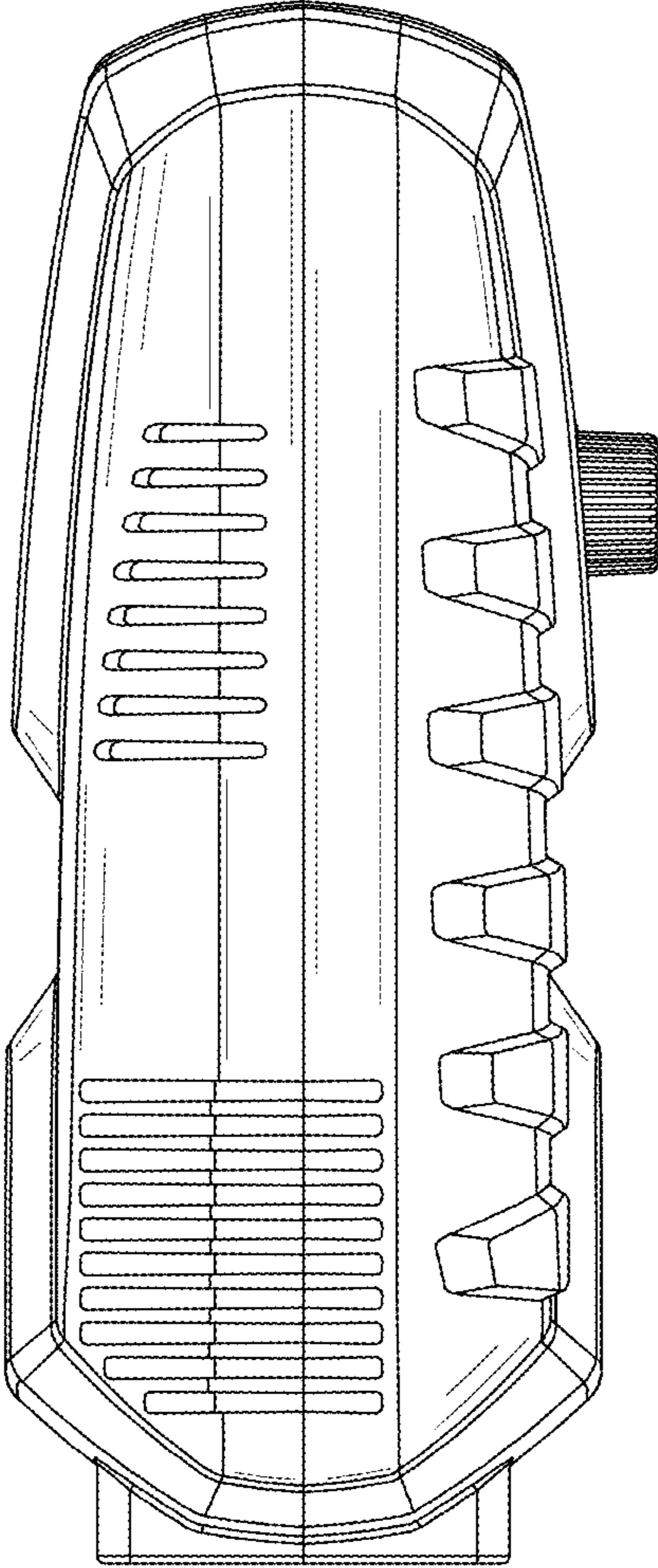


Fig3

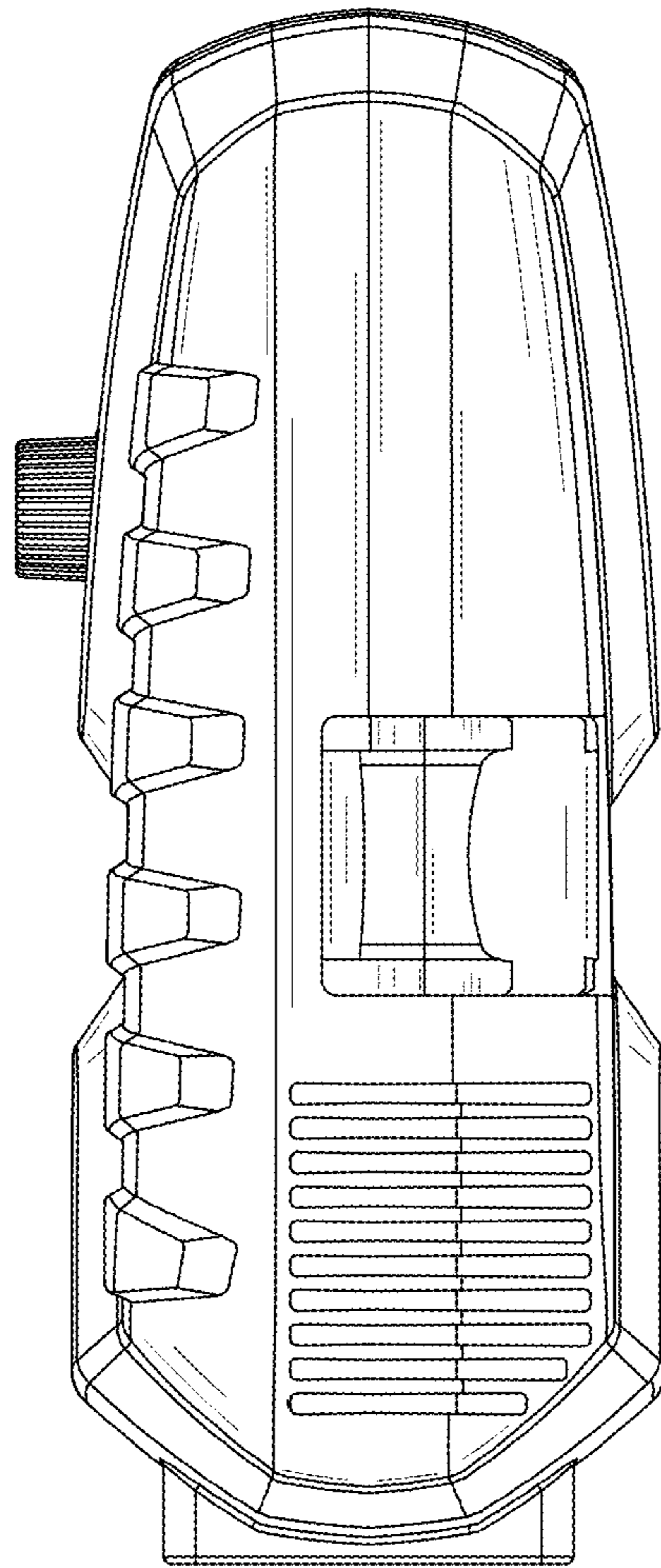


Fig.4

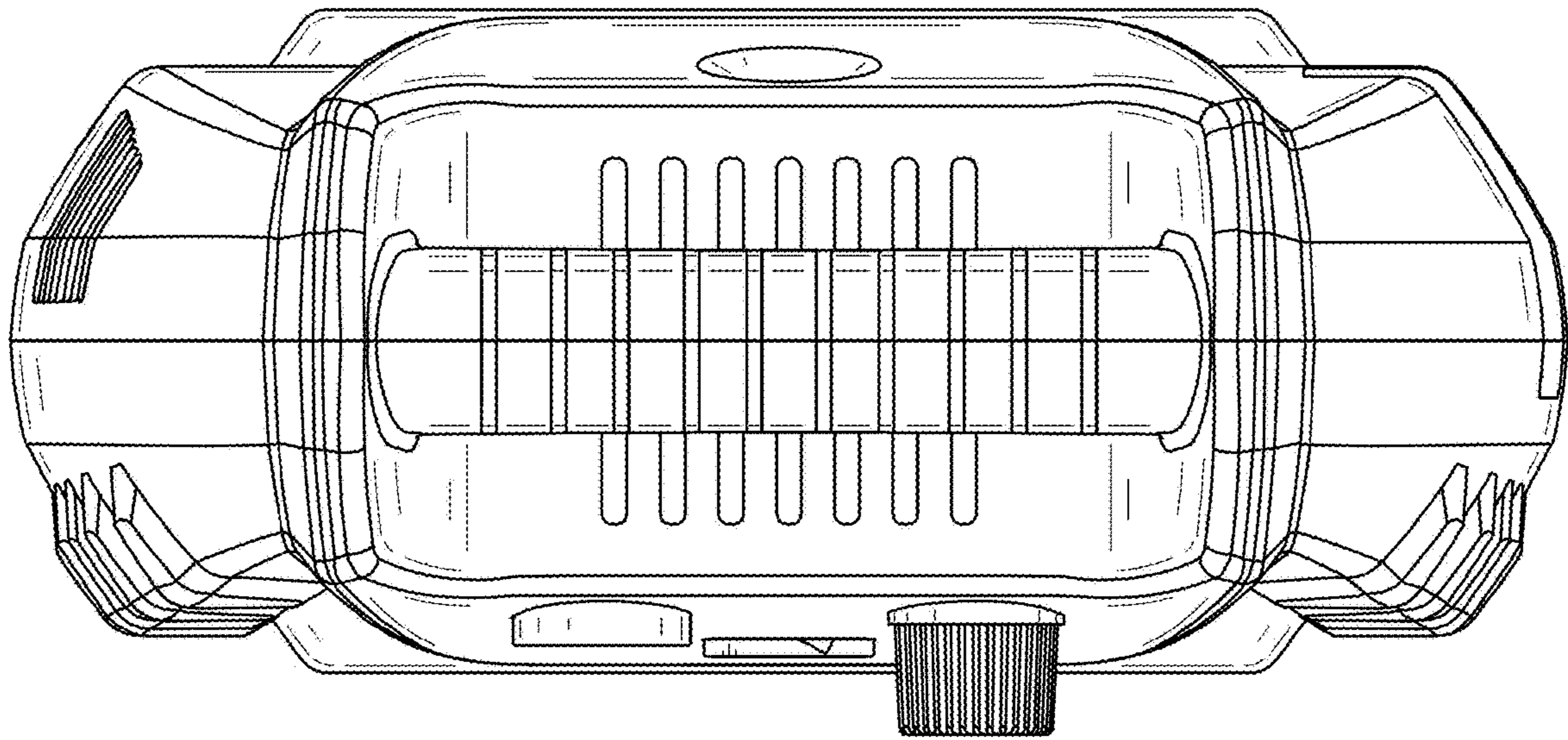


Fig.5

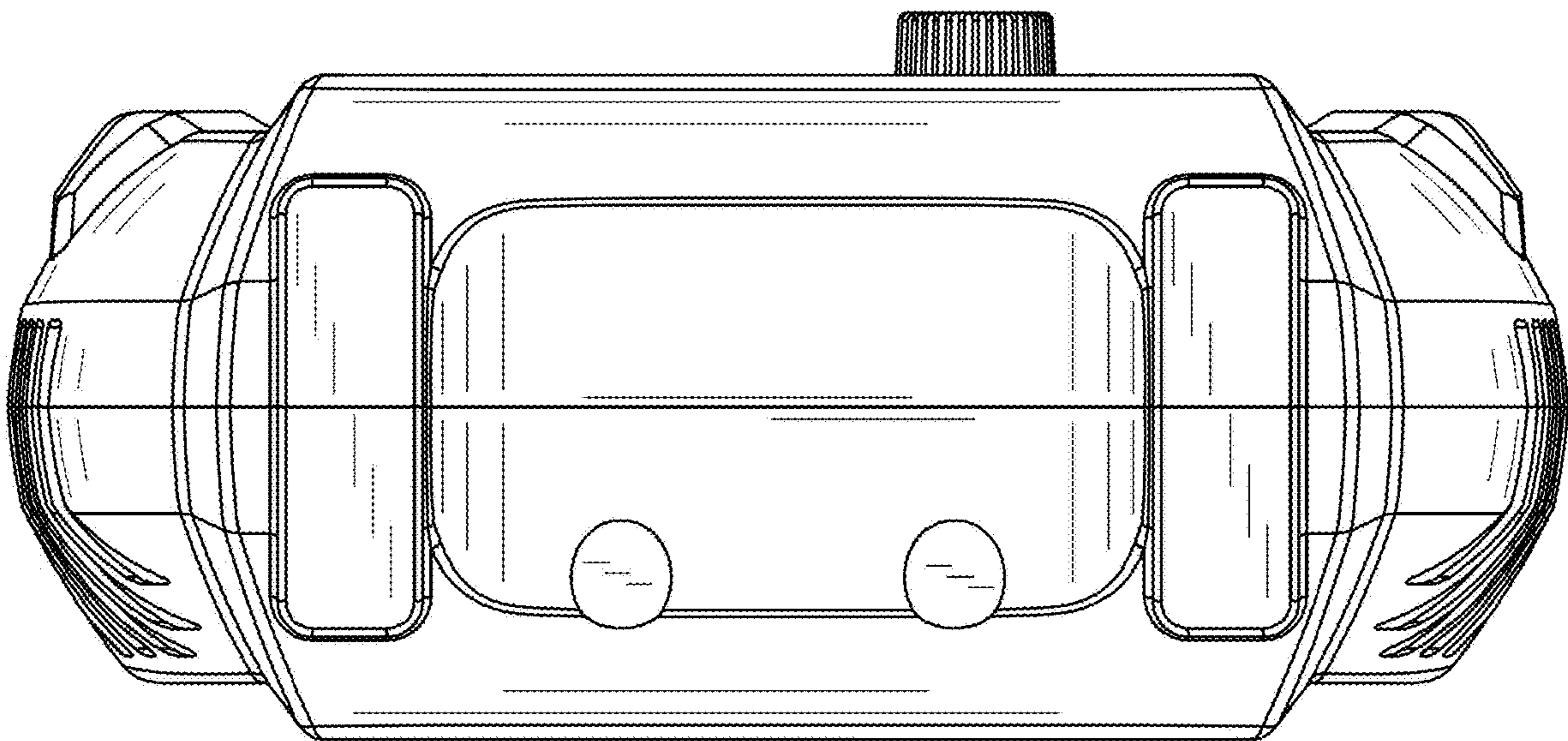


Fig.6

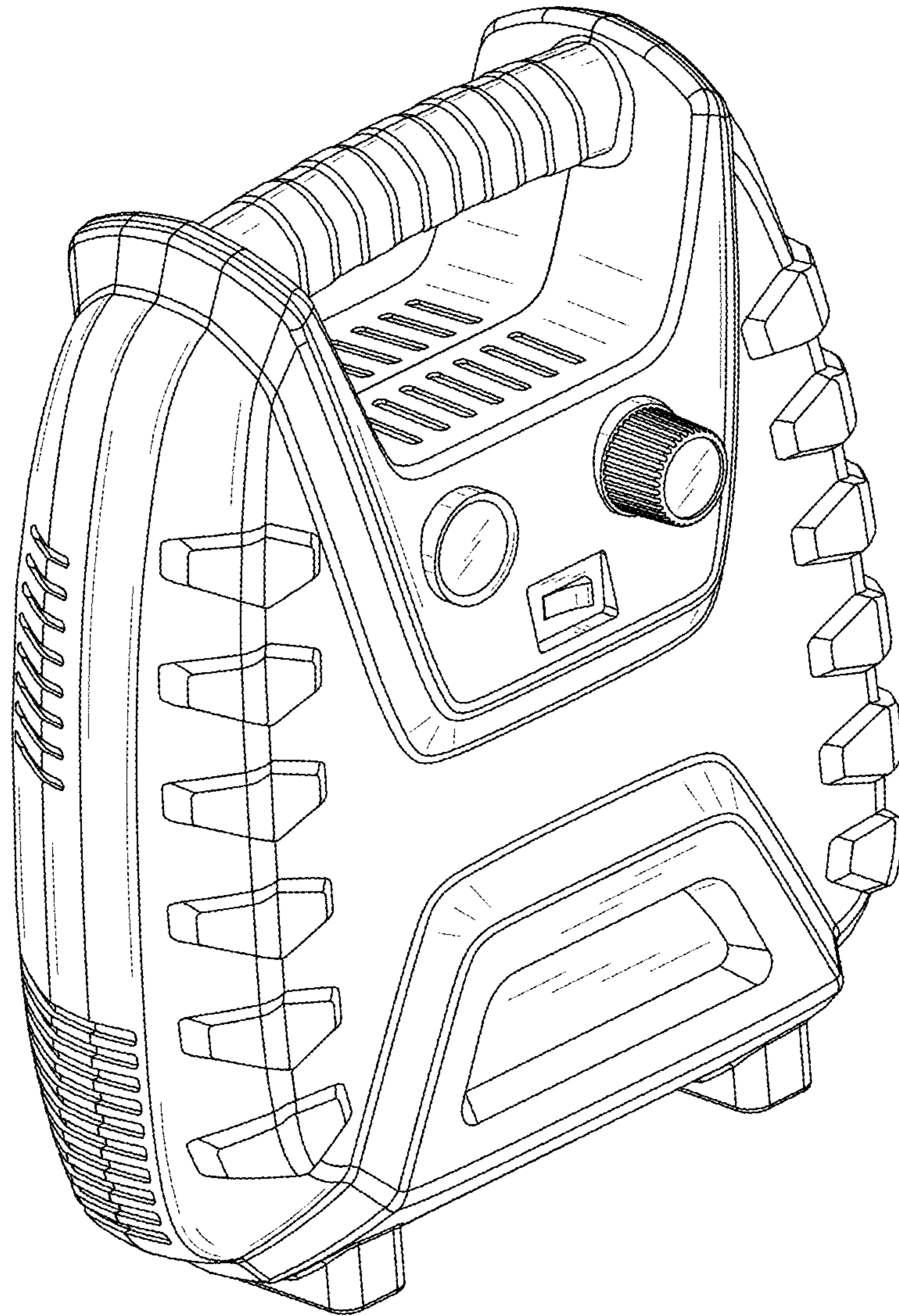


Fig.7

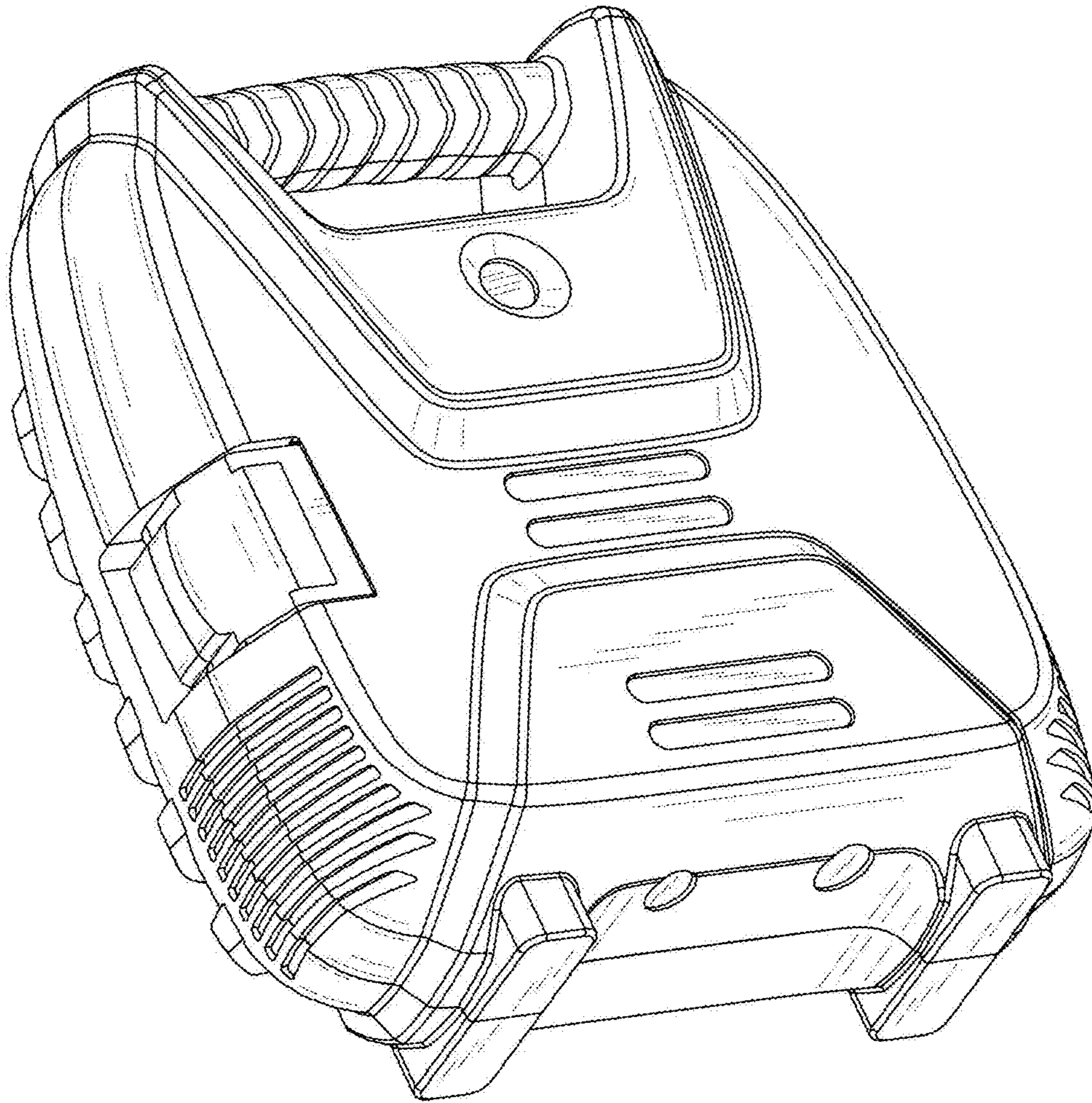


Fig.8