



US00D890692S

(12) **United States Design Patent** (10) **Patent No.:** **US D890,692 S**
Elder (45) **Date of Patent:** **** Jul. 21, 2020**

(54) **BATTERY PACK**

(71) Applicant: **Black & Decker Inc.**, New Britain, CT (US)

(72) Inventor: **Christian V. Elder**, Baltimore, MD (US)

(73) Assignee: **Black & Decker Inc.**, New Britain, CT (US)

(**) Term: **15 Years**

(21) Appl. No.: **29/643,793**

(22) Filed: **Apr. 11, 2018**

(51) **LOC (12) Cl.** **13-02**

(52) **U.S. Cl.**
USPC **D13/103**

(58) **Field of Classification Search**
USPC D13/102-106, 110, 118-119, 184
(Continued)

(56) **References Cited**

U.S. PATENT DOCUMENTS

D545,759 S * 7/2007 Ino D13/103
D568,239 S * 5/2008 Okada D13/103
(Continued)

Primary Examiner — Nathaniel D. Buckner

(74) *Attorney, Agent, or Firm* — Michael Aronoff

(57) **CLAIM**

The ornamental design for a battery pack, as shown and described.

DESCRIPTION

FIG. 1 is a top, rear, right perspective view of a first embodiment of a battery pack showing my new design.

FIG. 2 is a top, rear, left, perspective view of the battery pack of FIG. 1.

FIG. 3 is a top, front, left, perspective view of the battery pack of FIG. 1.

FIG. 4 is a top, front, right perspective view of the battery pack of FIG. 1.

FIG. 5 is a bottom, rear, left perspective view of the battery pack of FIG. 1.

FIG. 6 is a bottom, rear, right perspective view of the battery pack of FIG. 1.

FIG. 7 is a bottom, front, right perspective view of the battery pack of FIG. 1.

FIG. 8 is a bottom, front, left perspective view of the battery pack of FIG. 1.

FIG. 9 is a rear elevation view of the battery pack of FIG. 1.

FIG. 10 is a front elevation view of the battery pack of FIG. 1.

FIG. 11 is a right side elevation view of the battery pack of FIG. 1.

FIG. 12 is a left side elevation view of the battery pack of FIG. 1.

FIG. 13 is a top plan view of the battery pack of FIG. 1.

FIG. 14 is a bottom plan view of the battery pack of FIG. 1.

FIG. 15 is a top, rear, right perspective view of a second embodiment of a battery pack showing my new design.

FIG. 16 is a top, rear, left, perspective view of the battery pack of FIG. 15.

FIG. 17 is a top, front, left, perspective view of the battery pack of FIG. 15.

FIG. 18 is a top, front, right perspective view of the battery pack of FIG. 15.

FIG. 19 is a bottom, rear, left perspective view of the battery pack of FIG. 15.

FIG. 20 is a bottom, rear, right perspective view of the battery pack of FIG. 15.

FIG. 21 is a bottom, front, right perspective view of the battery pack of FIG. 15.

FIG. 22 is a bottom, front, left perspective view of the battery pack of FIG. 15.

FIG. 23 is a rear elevation view of the battery pack of FIG. 15.

FIG. 24 is a front elevation view of the battery pack of FIG. 15.

FIG. 25 is a right side elevation view of the battery pack of FIG. 15.

(Continued)

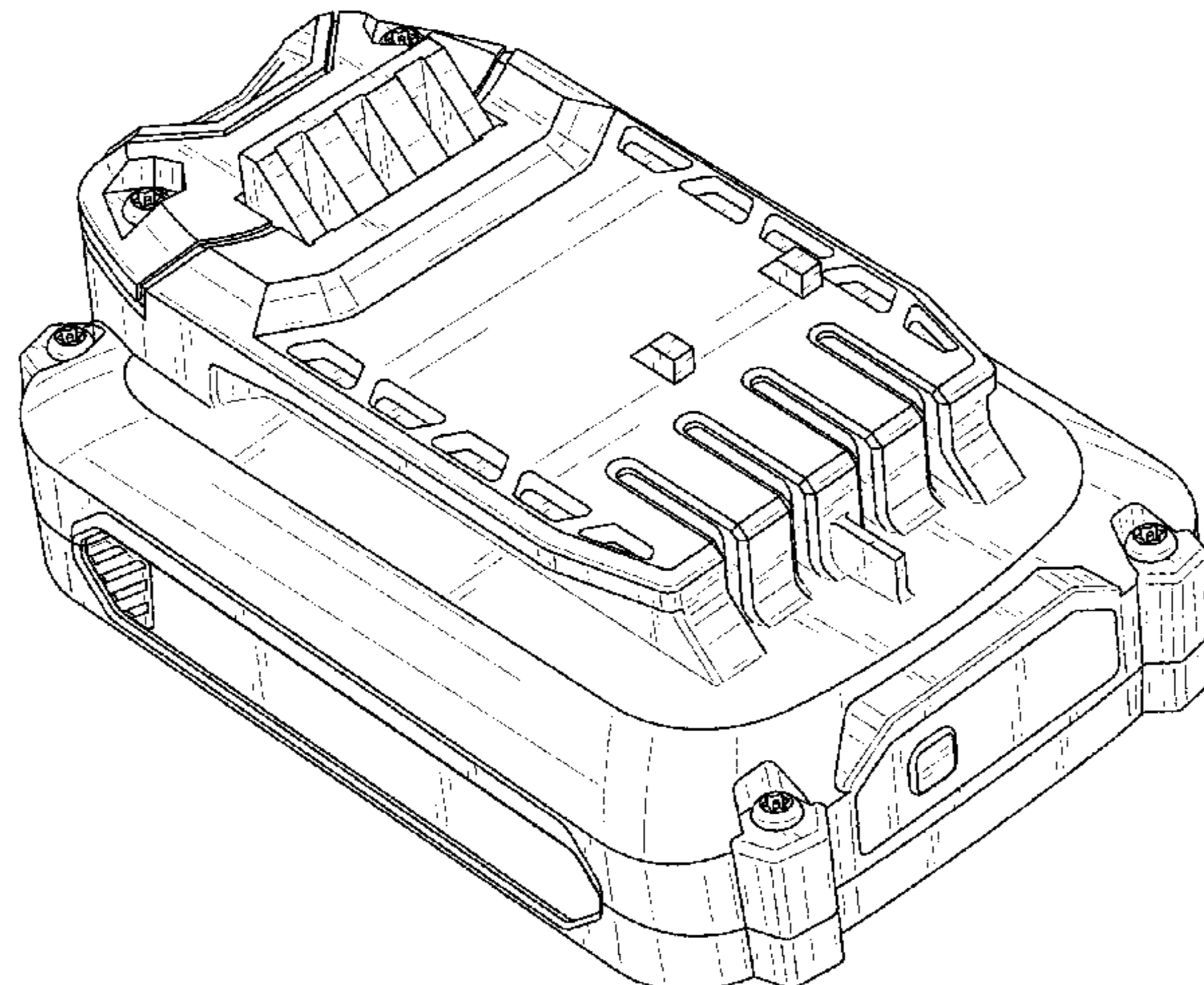


FIG. 26 is a left side elevation view of the battery pack of FIG. 15.
 FIG. 27 is a top plan view of the battery pack of FIG. 15; and,
 FIG. 28 is a bottom plan view of the battery pack of FIG. 15.

1 Claim, 28 Drawing Sheets

(58) **Field of Classification Search**

CPC Y02E 60/12; Y02E 60/122; Y02E 60/124;
 Y02E 60/50; H01M 2/02; H01M 2/022;
 H01M 2/0202; H01M 2/0207; H01M
 2/0212; H01M 2/1061; H01M 2/1022;
 H01M 2/1055; H01M 2/1066; H01M
 2/105; H01M 2/204; H01M 2/1016;
 H01M 2200/00; H01M 10/4257; H01M
 10/0436; H01M 10/48; H01M 10/42

See application file for complete search history.

(56)

References Cited

U.S. PATENT DOCUMENTS

D597,932	S *	8/2009	Aglassinger	D13/103
D699,670	S *	2/2014	Cooper	D13/103
D718,705	S *	12/2014	Naksen	D13/103
D776,610	S *	1/2017	Nommensen	D13/103
D780,687	S *	3/2017	Taniguchi	D13/103
D797,661	S *	9/2017	Elder	D13/103
D800,650	S *	10/2017	Itoh	D13/103
D812,555	S *	3/2018	Schoch	D13/103
D819,562	S *	6/2018	Waldron	D13/103
D844,558	S *	4/2019	Taniguchi	D13/103
2013/0089764	A1 *	4/2013	Melnyk	H01M 2/1022 429/72
2020/0052257	A1 *	2/2020	Stanton	H01M 2/1022

* cited by examiner

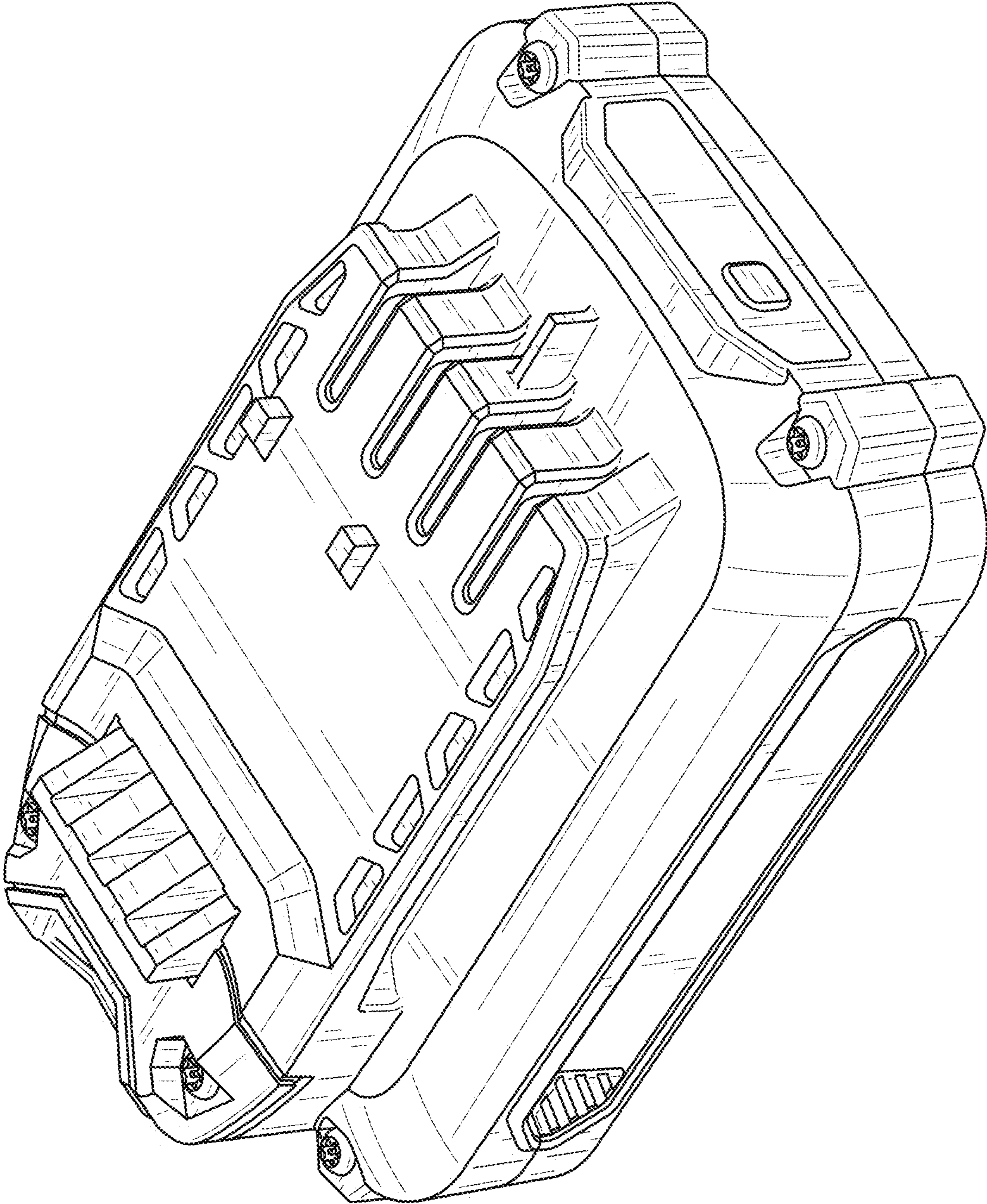


FIG. 1

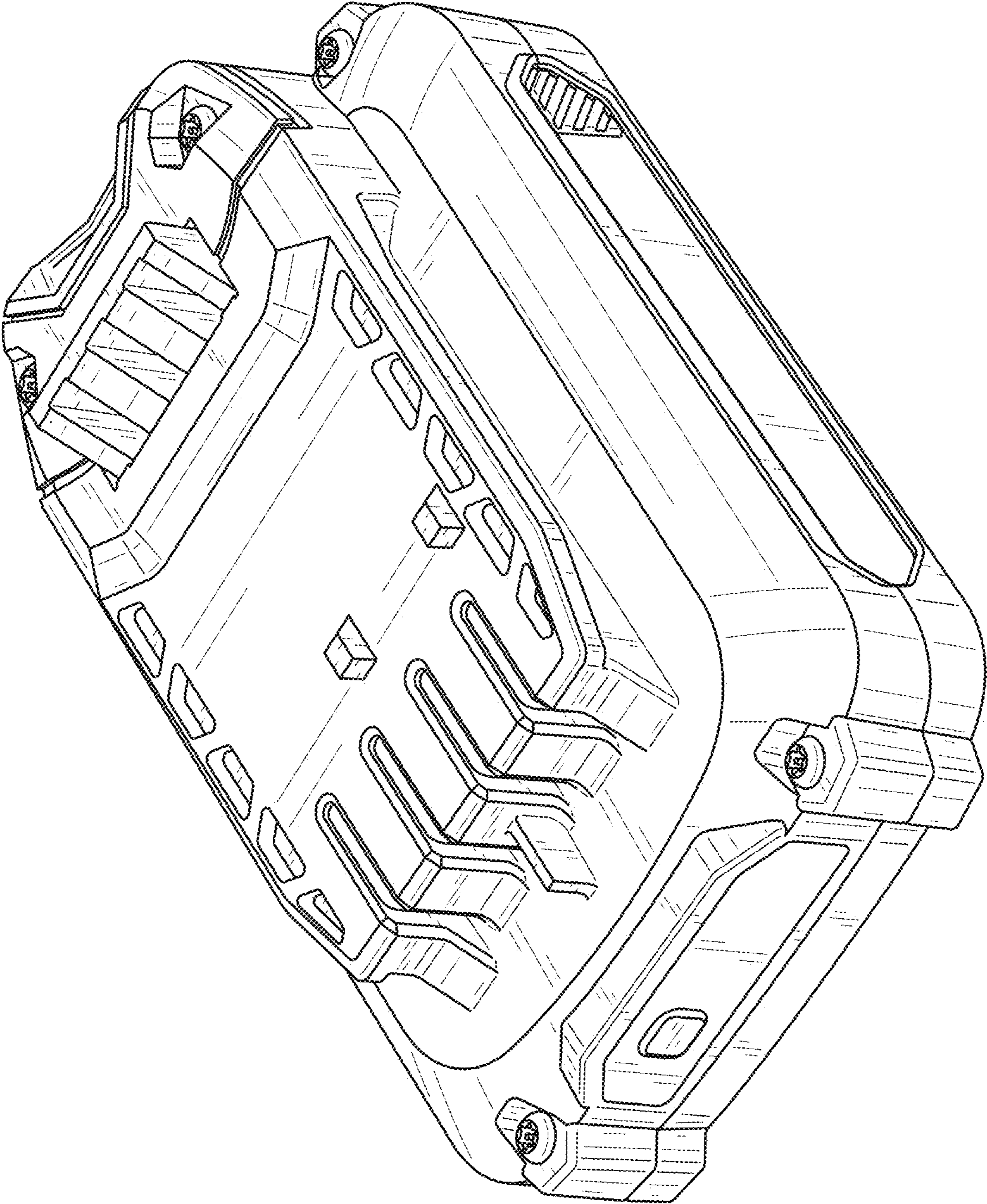


FIG. 2

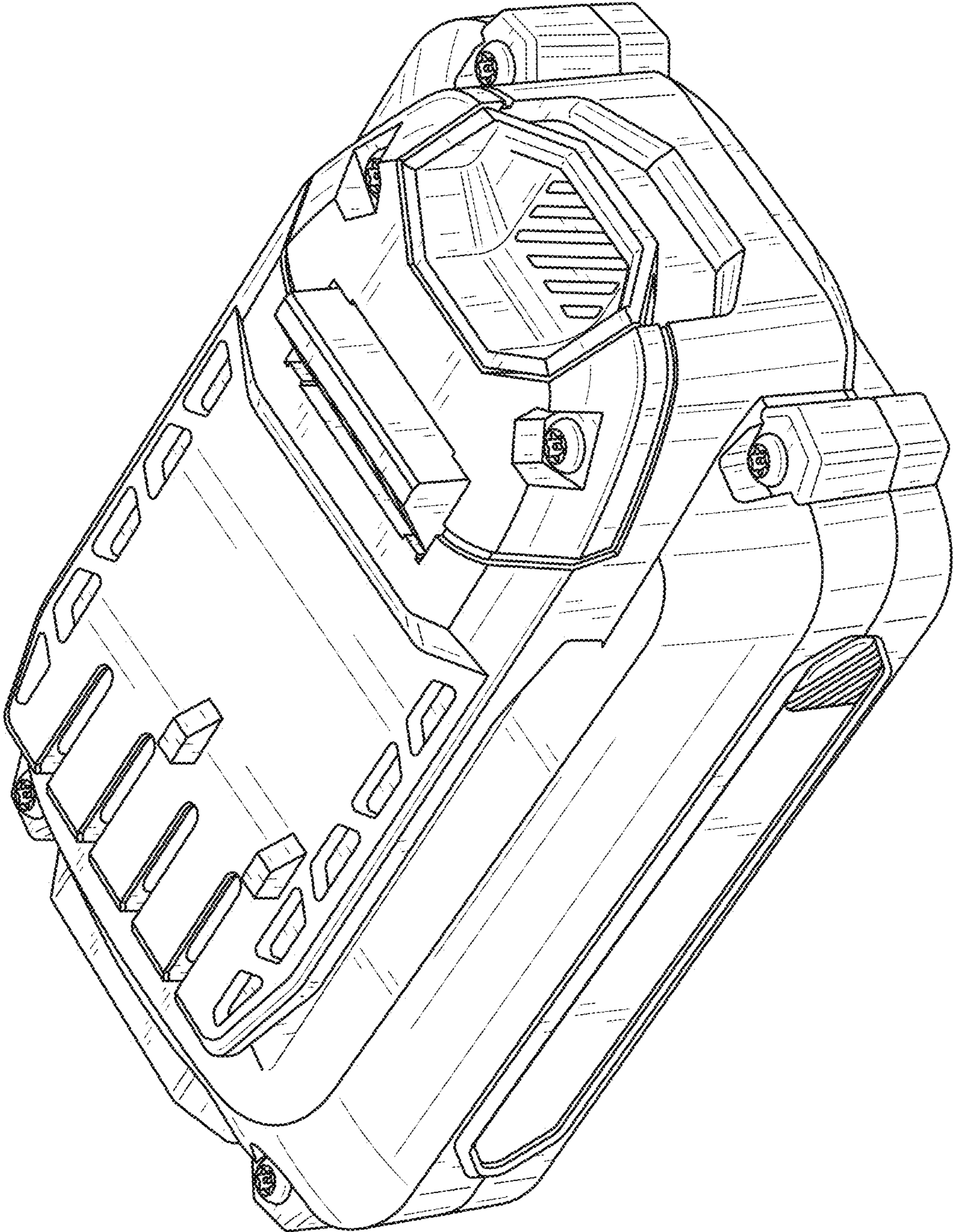


FIG. 3

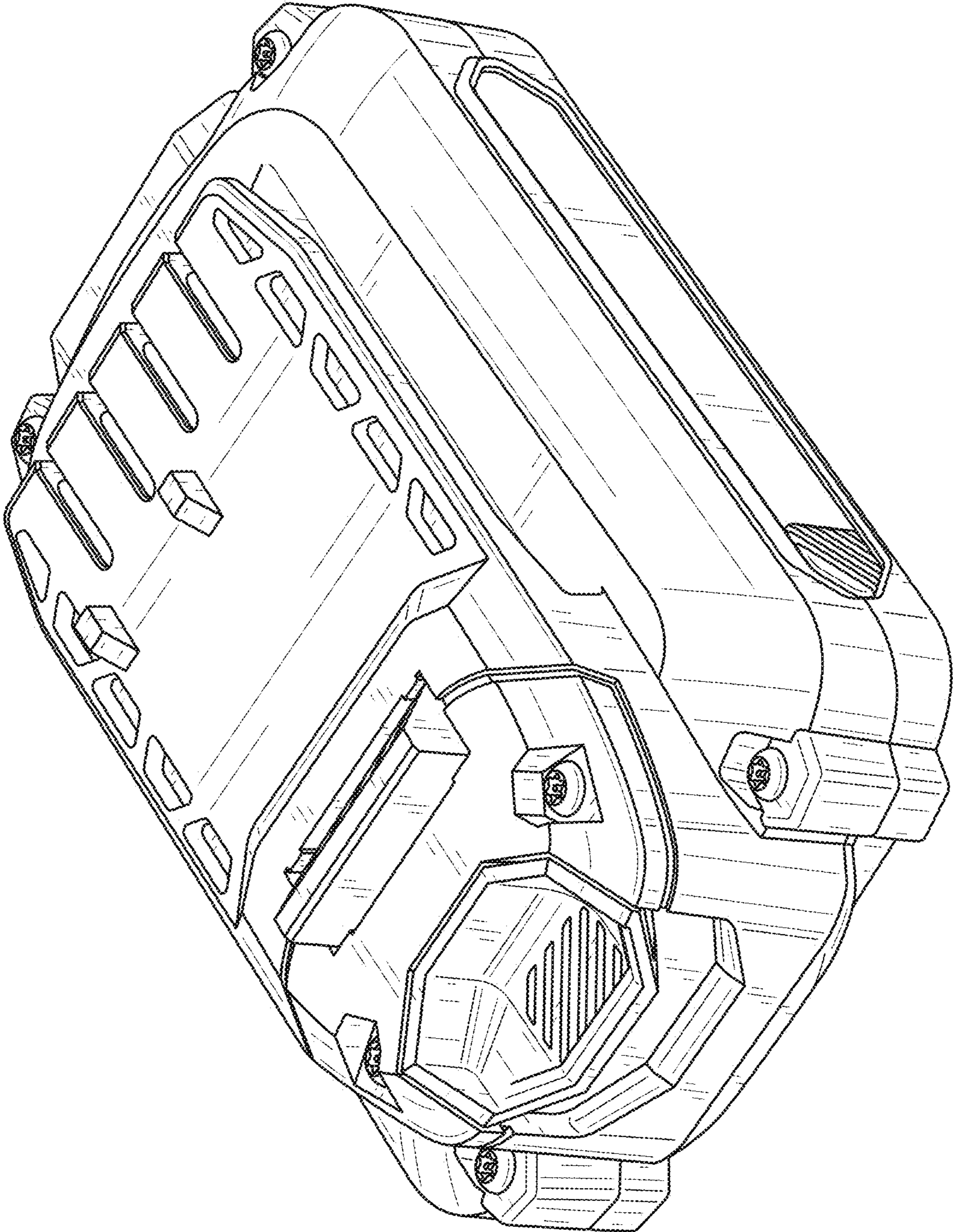


FIG. 4

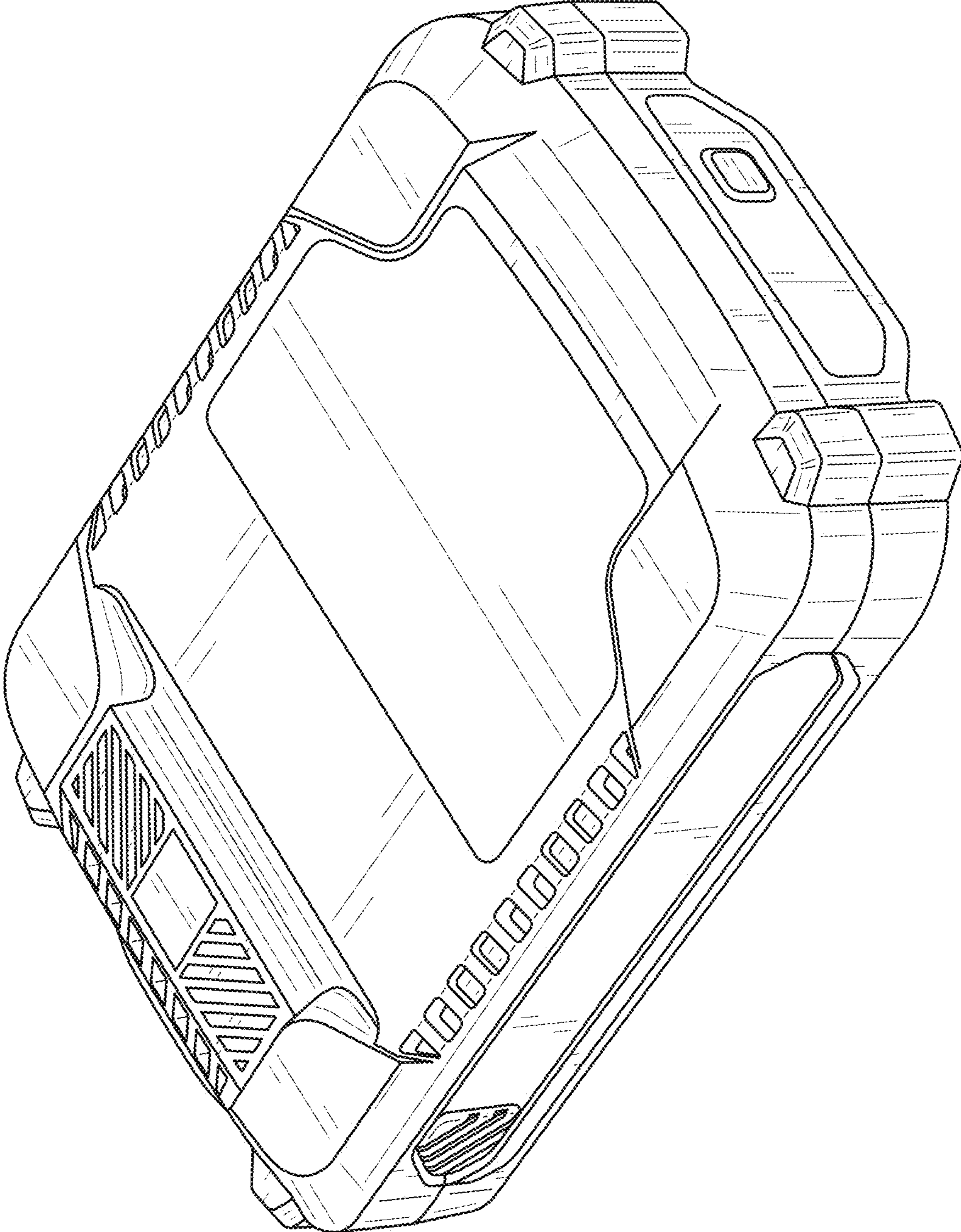


FIG. 5

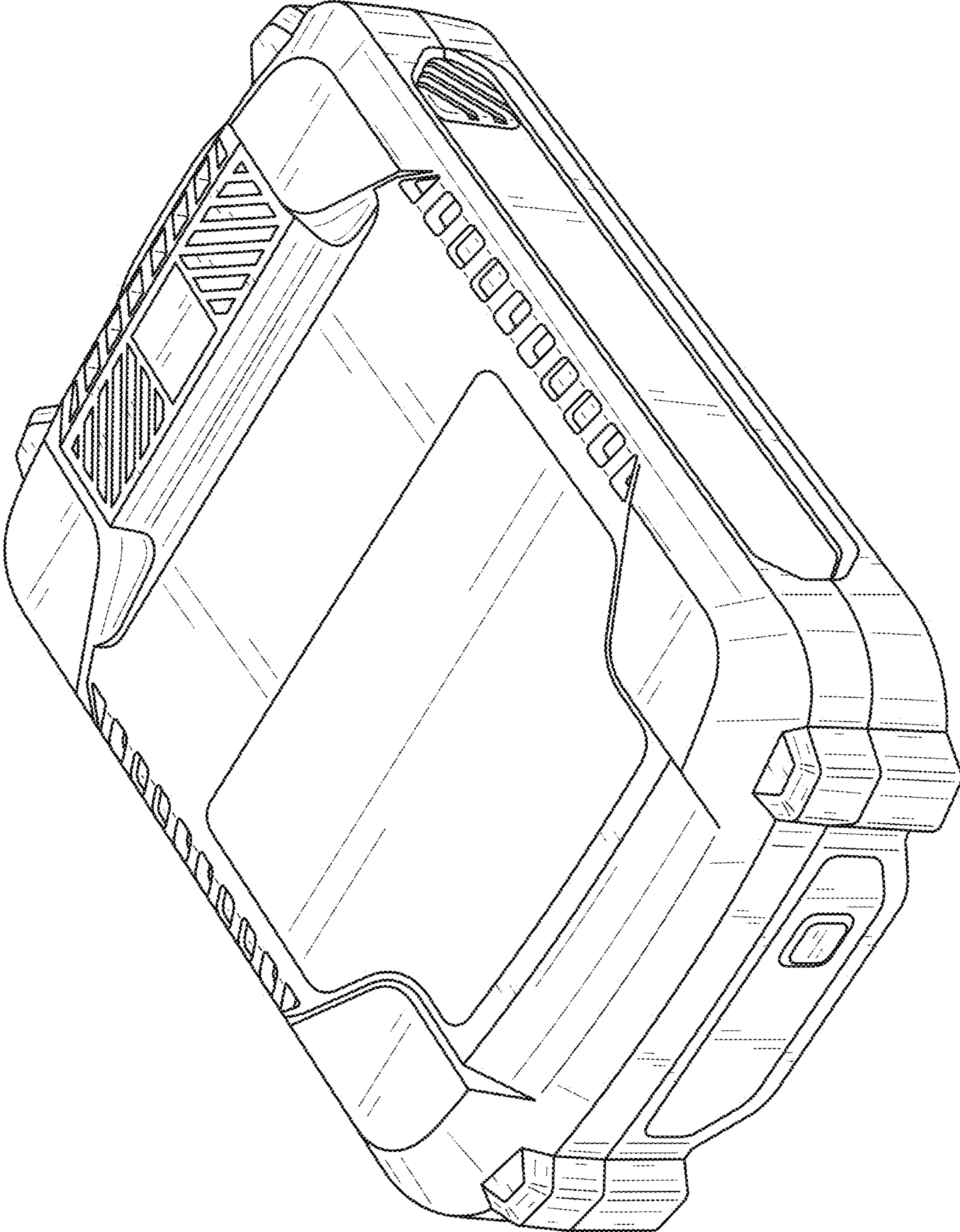


FIG. 6

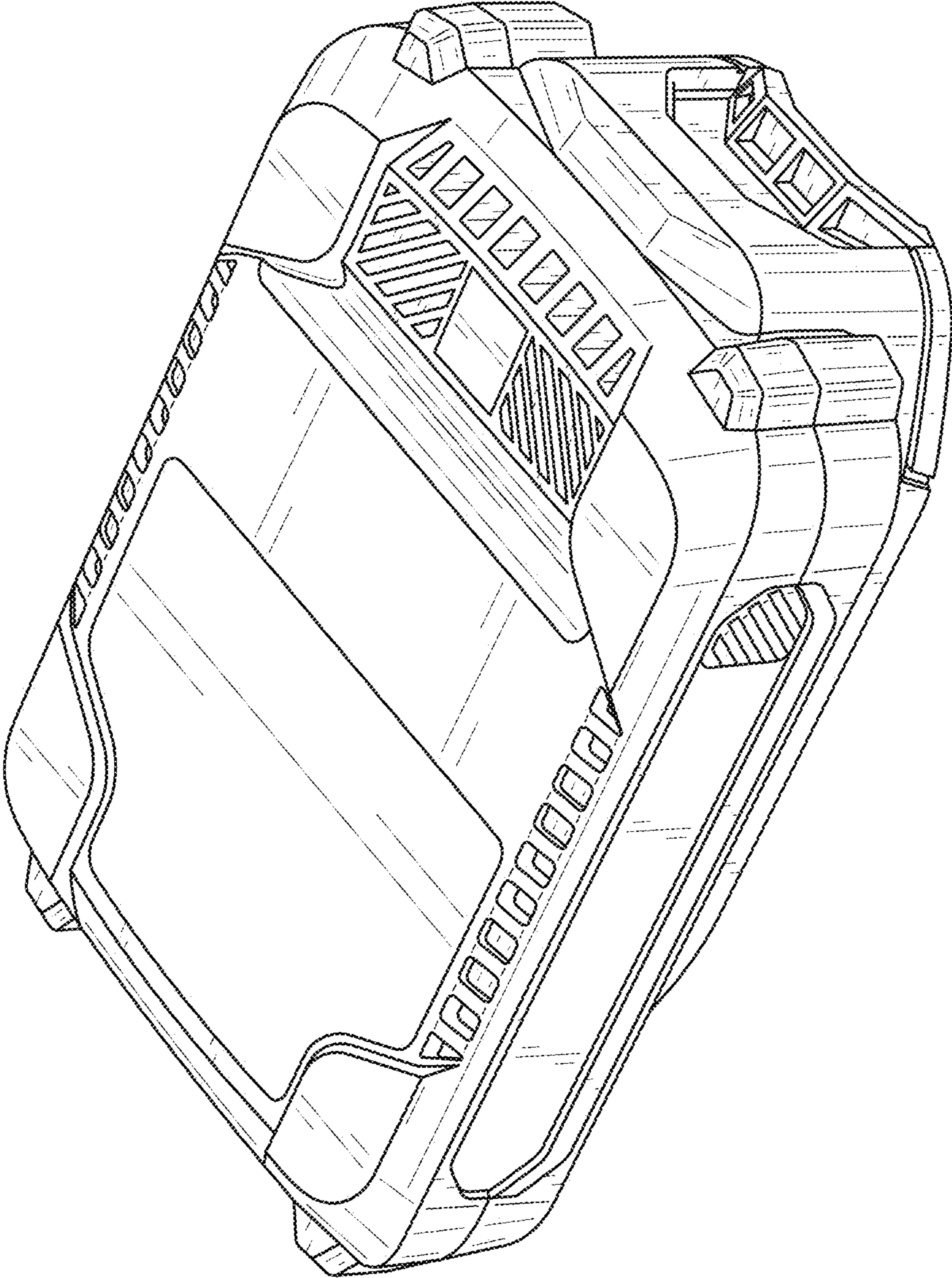


FIG. 7

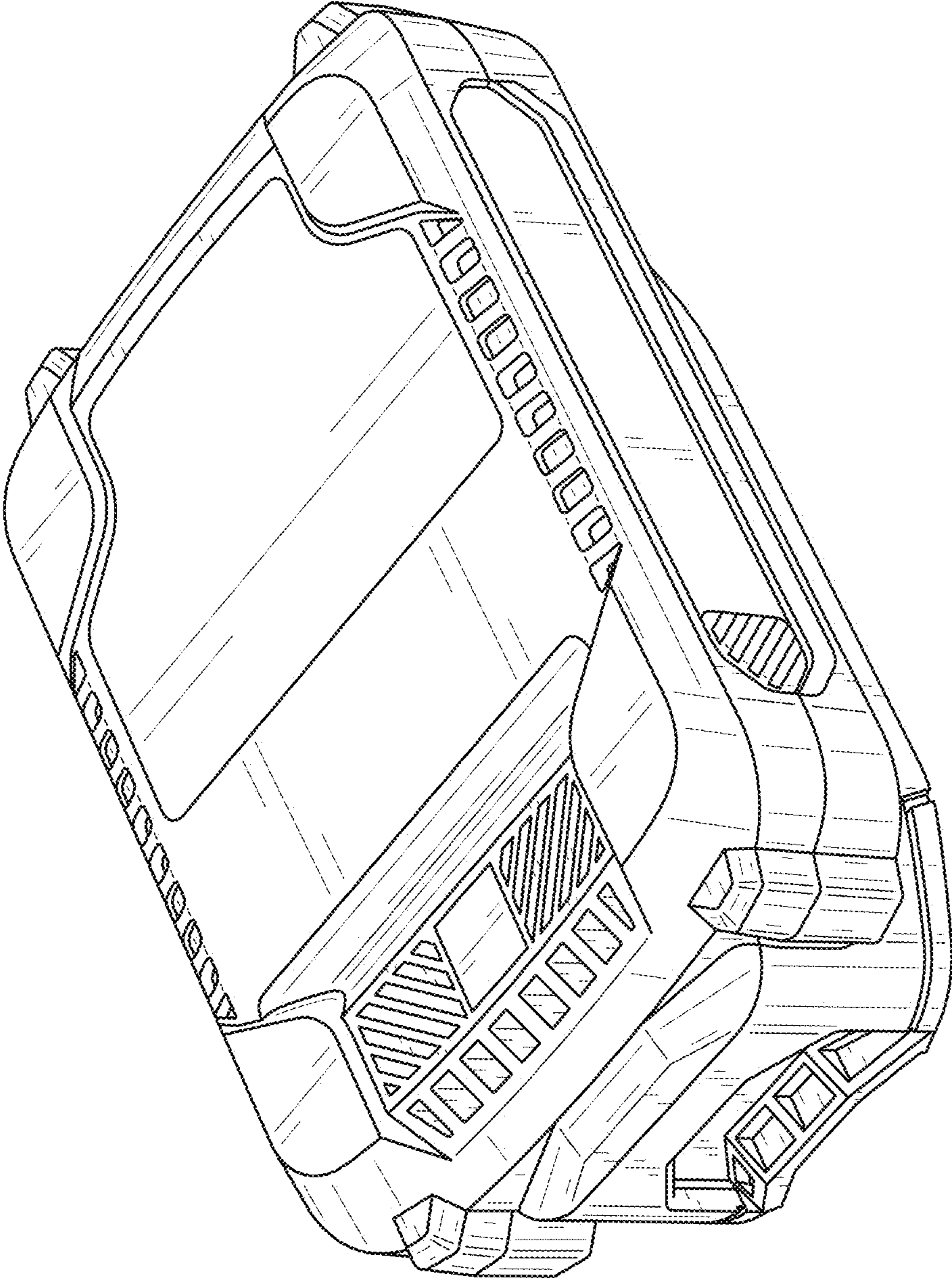


FIG. 8

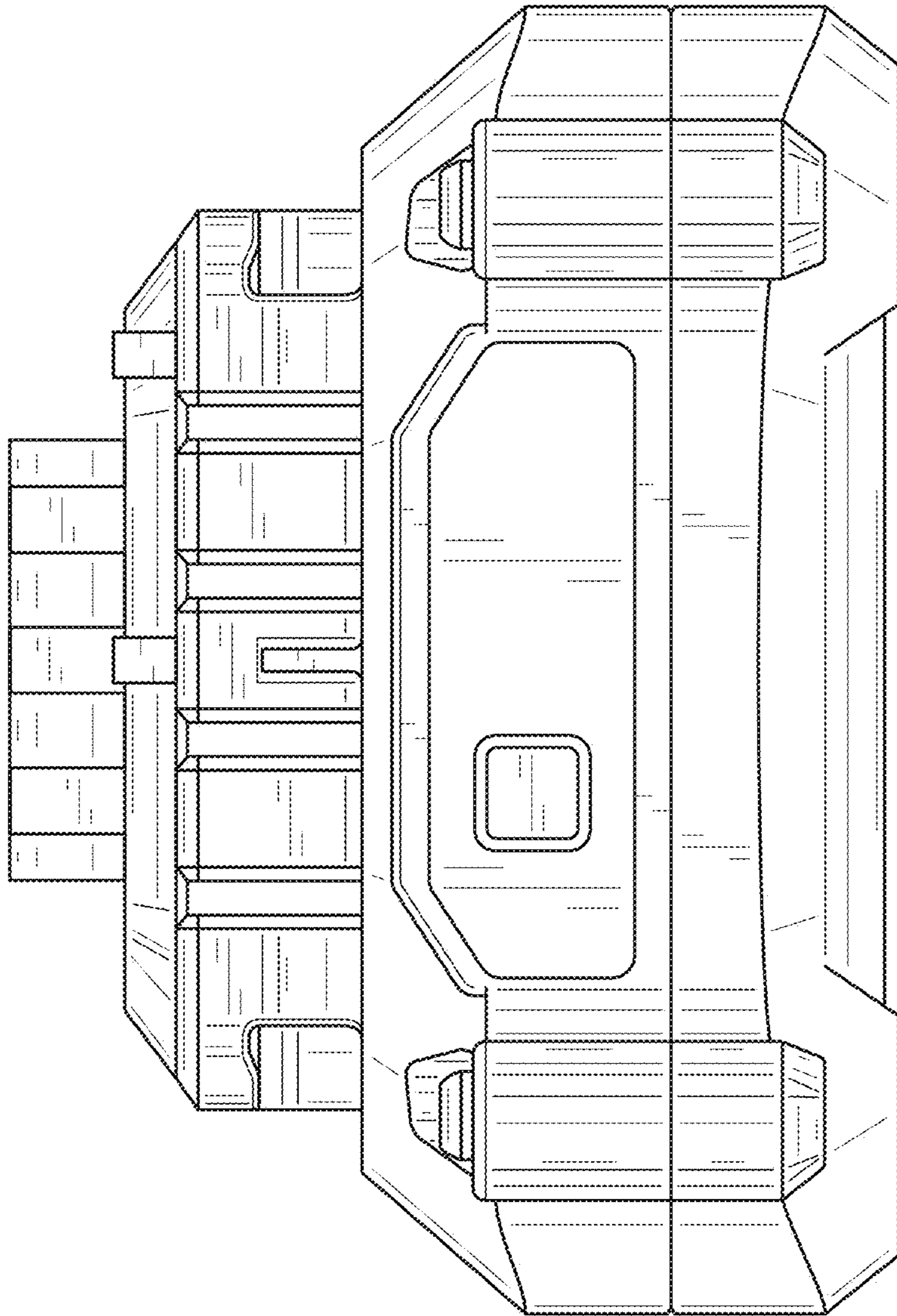


FIG. 9

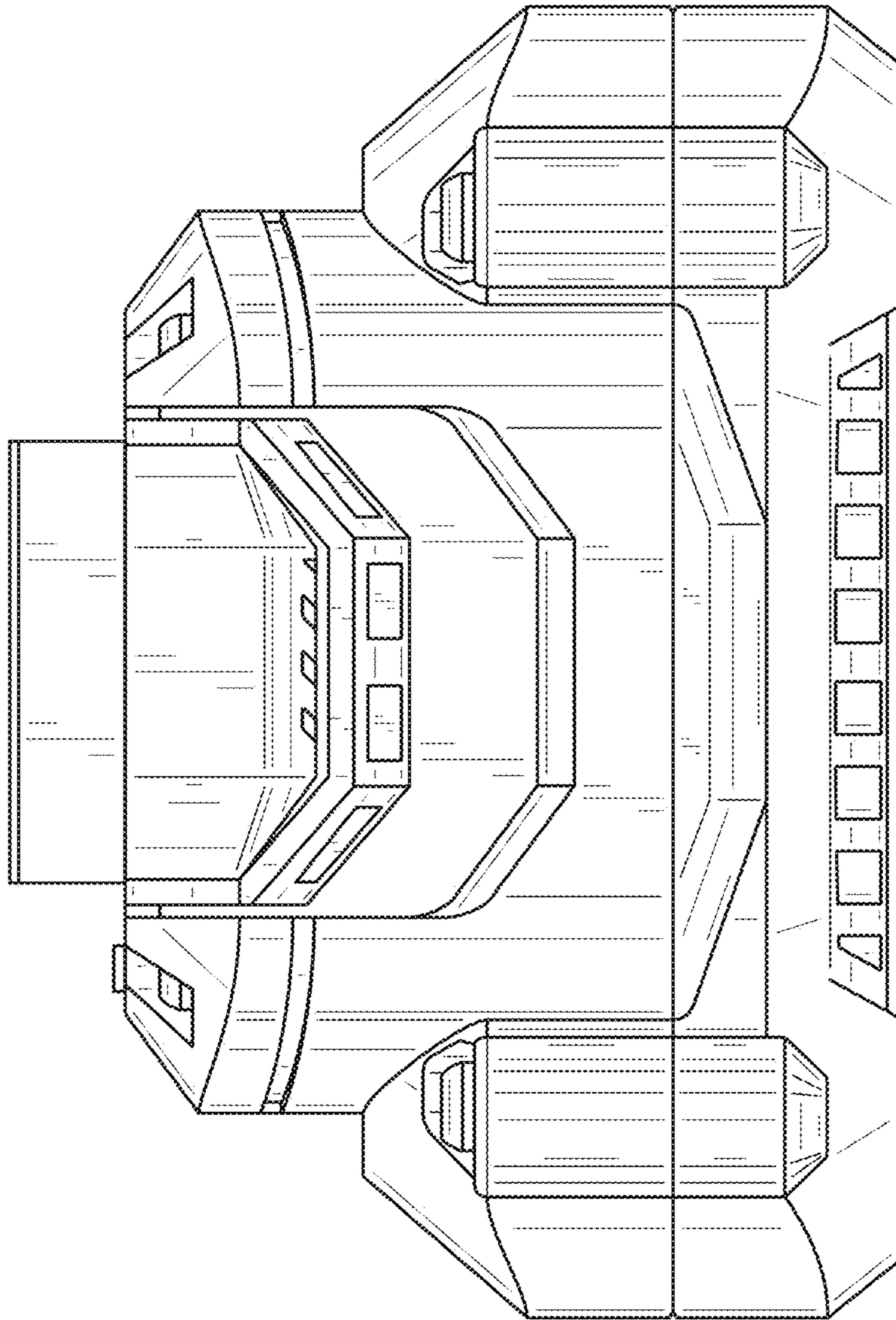


FIG. 10

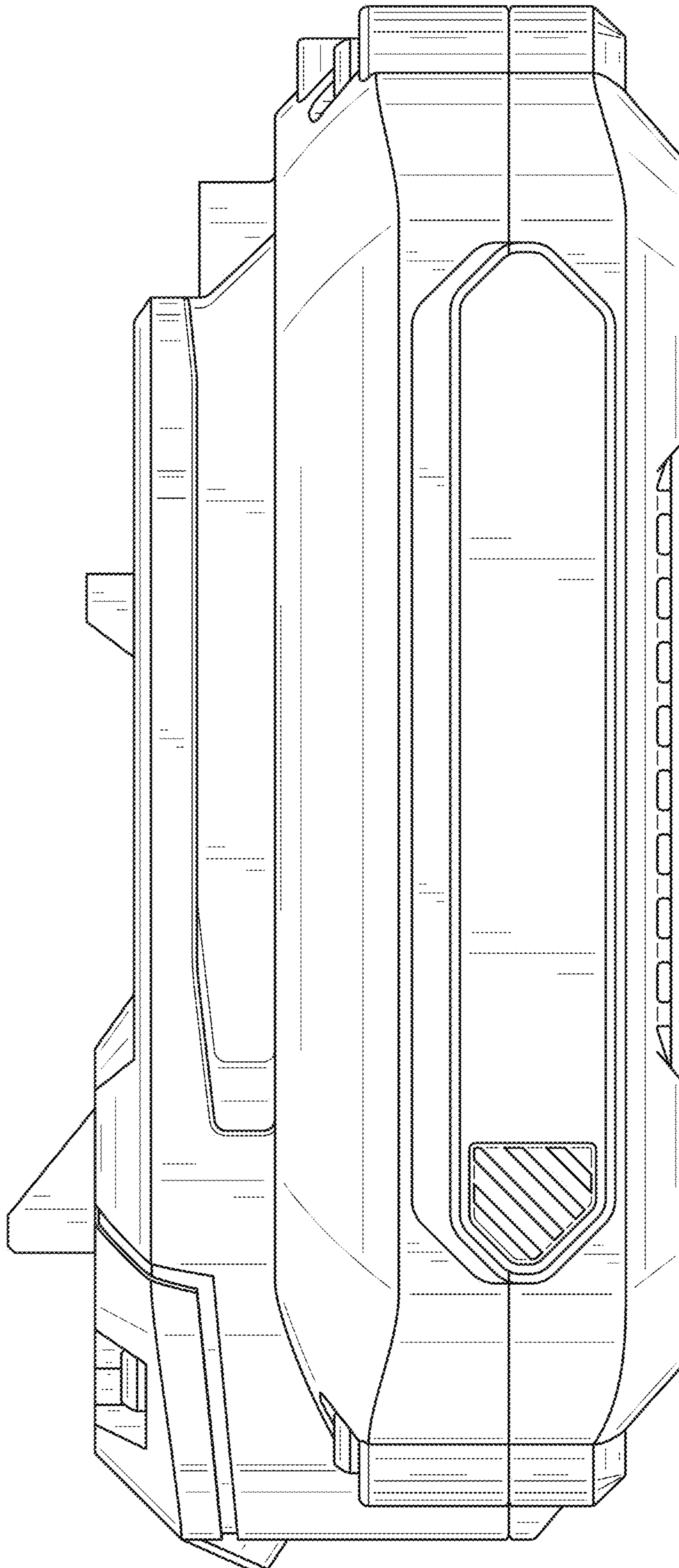


FIG. 11

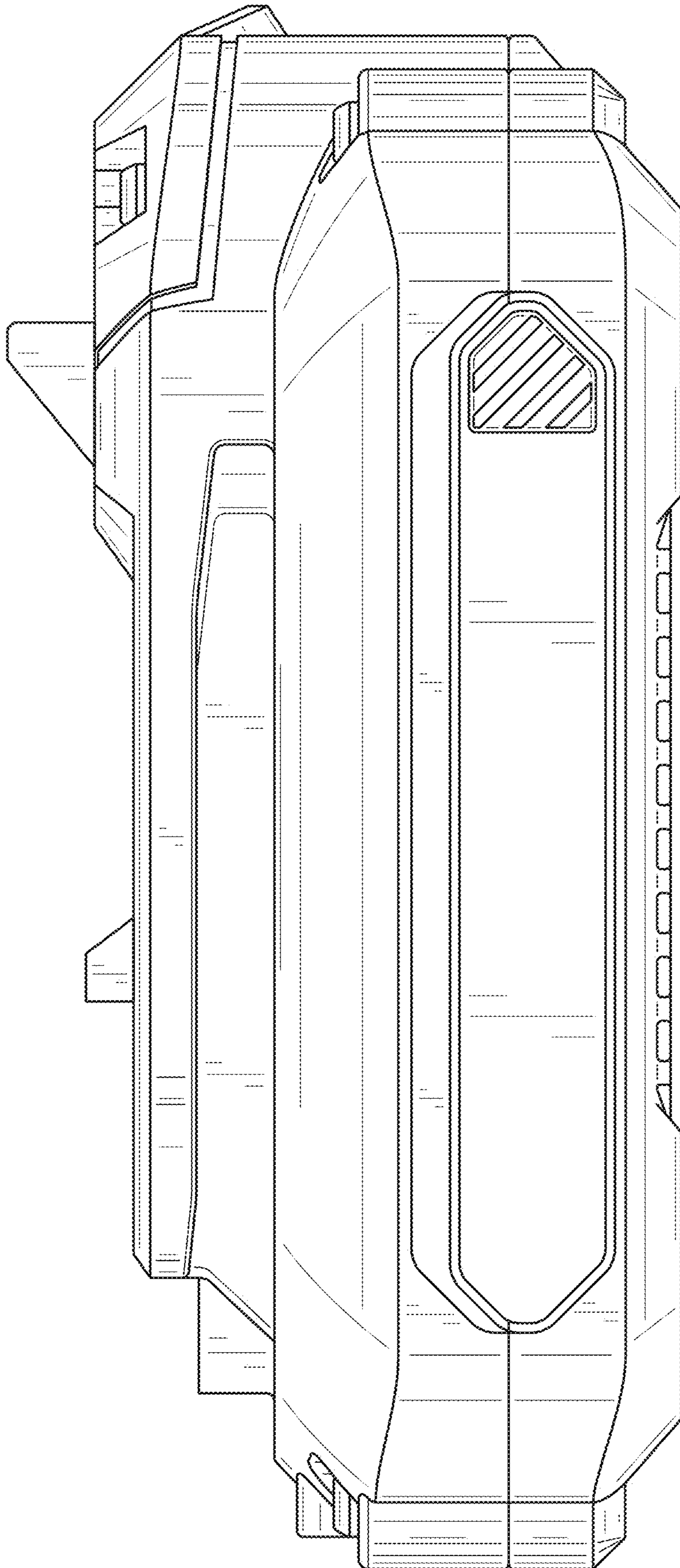


FIG. 12

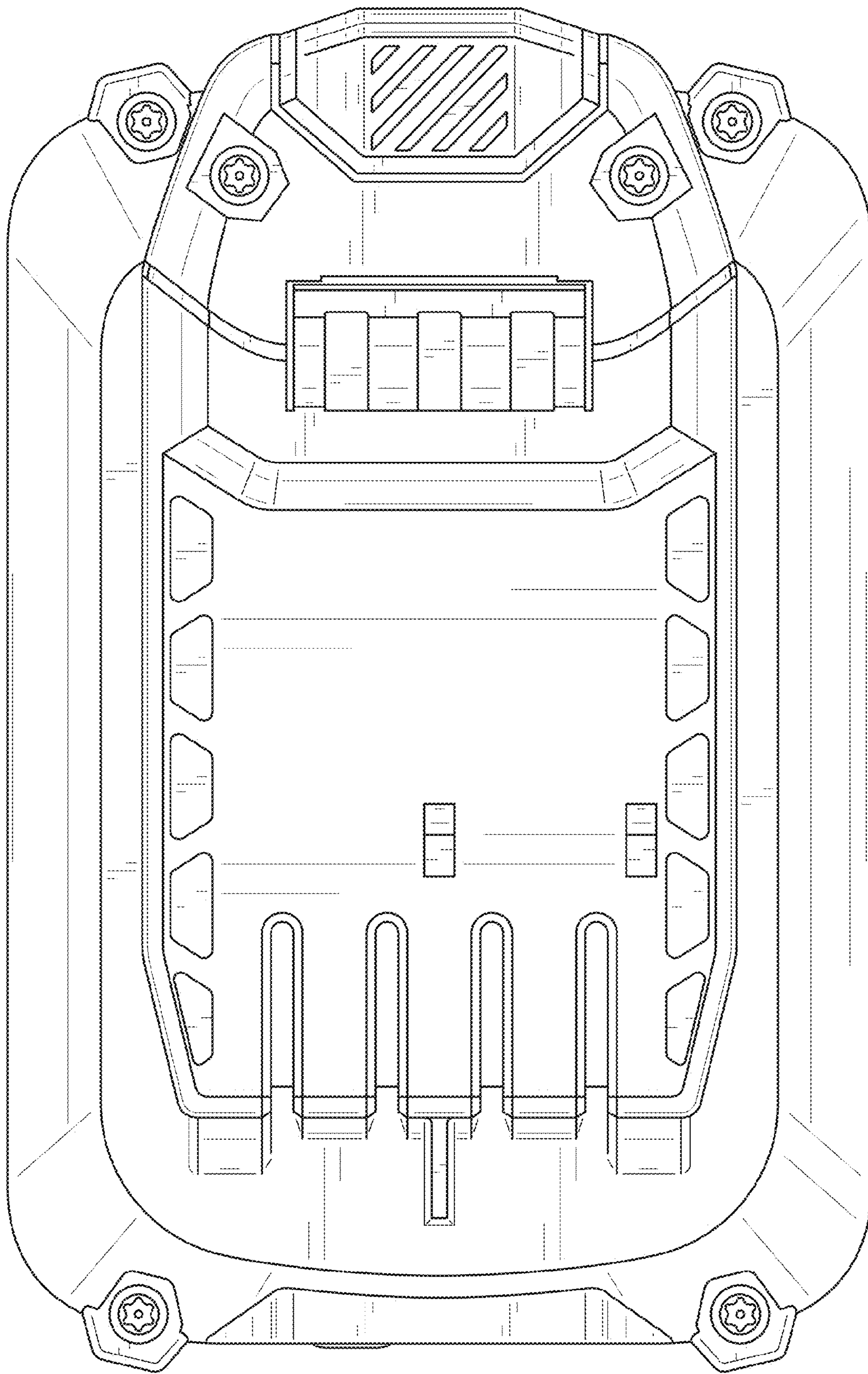


FIG. 13

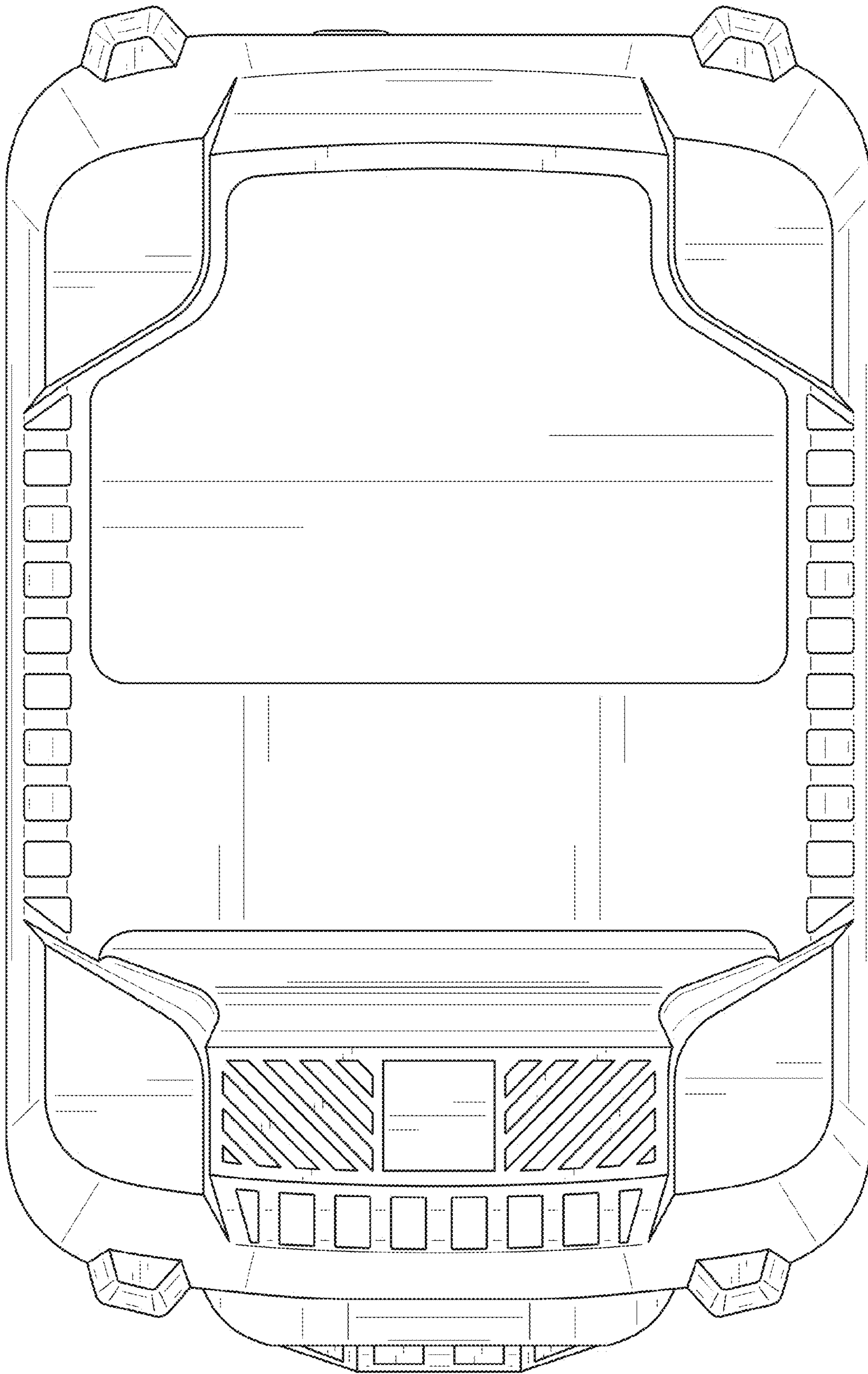


FIG. 14

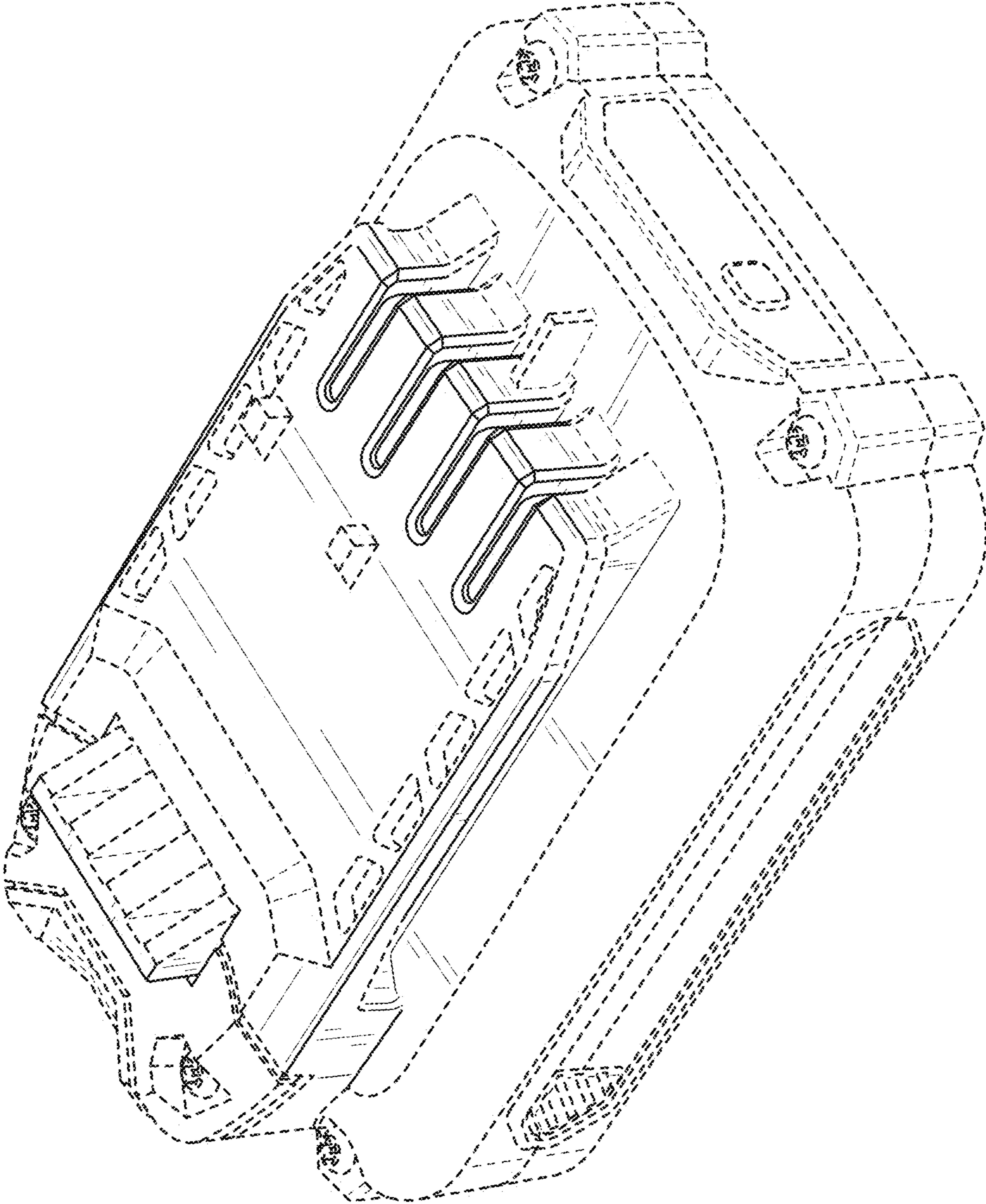


FIG. 15

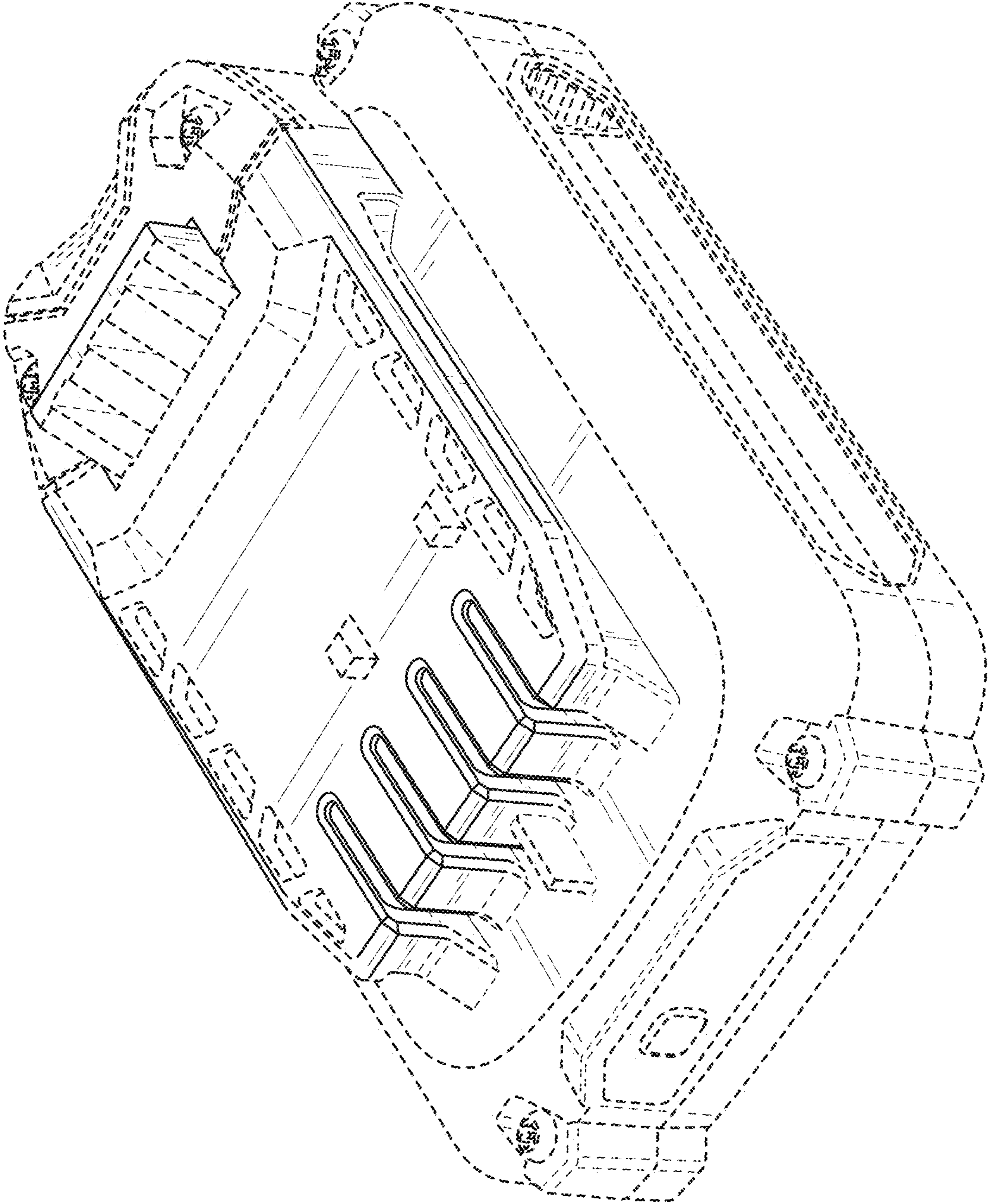


FIG. 16

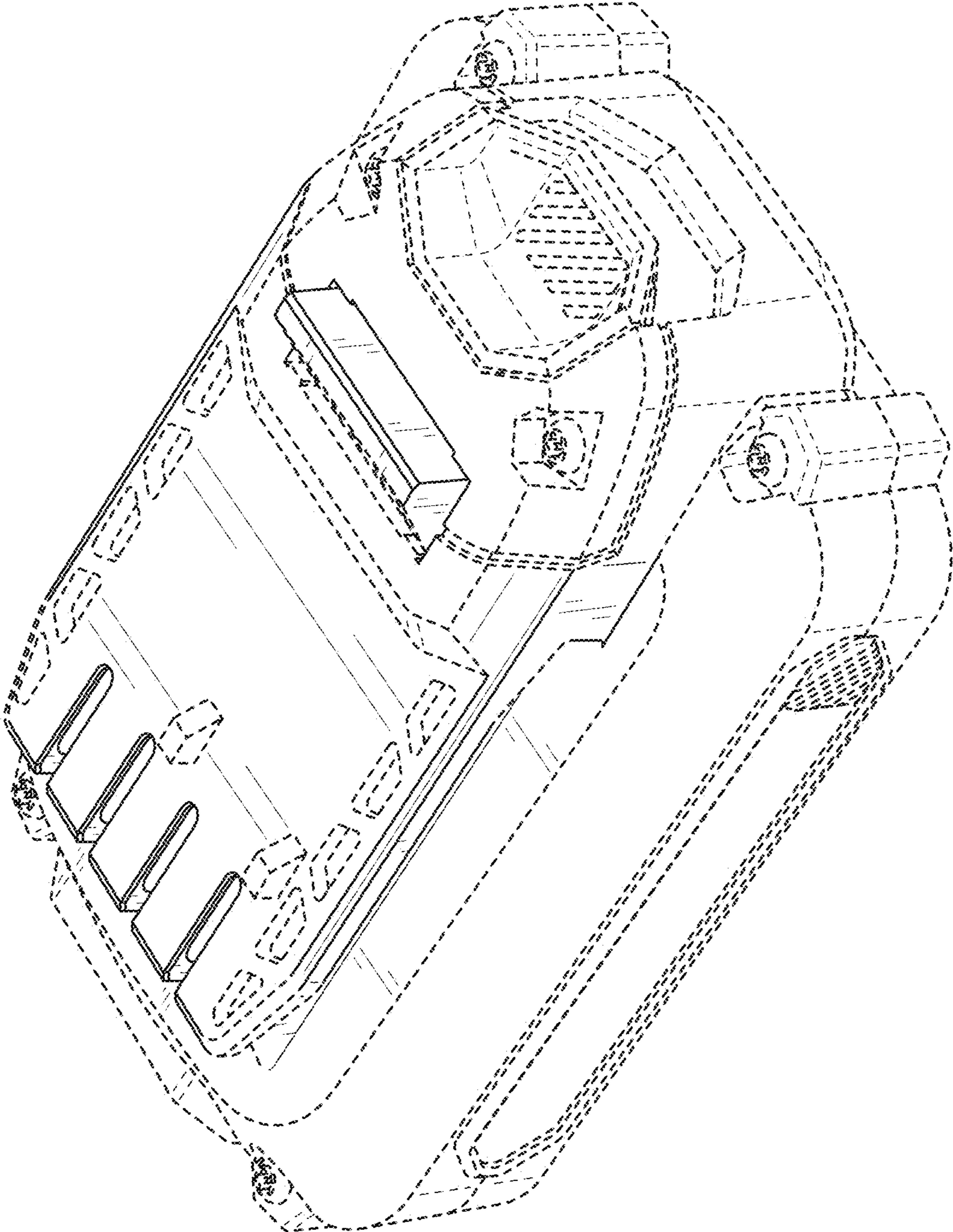


FIG. 17

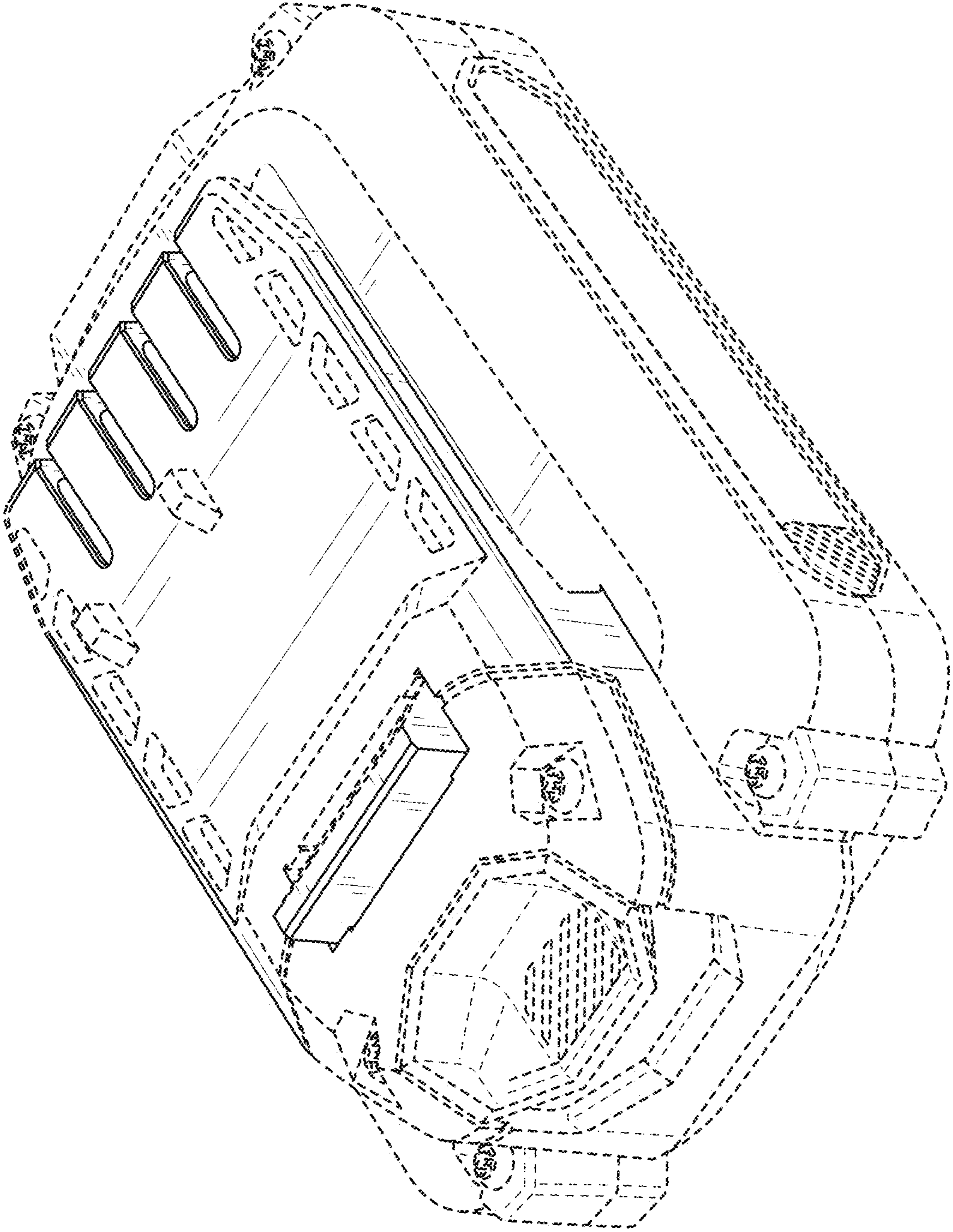


FIG. 18

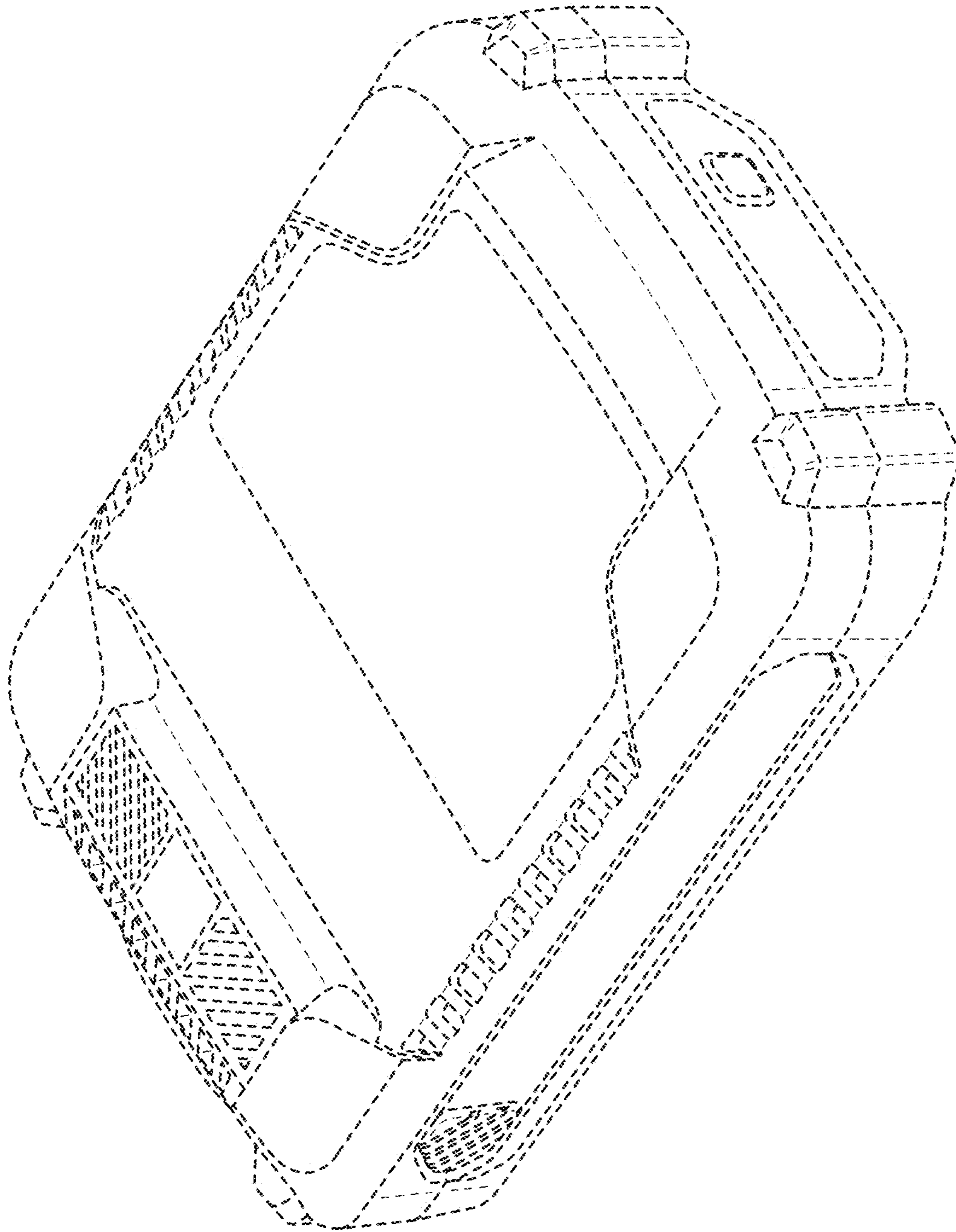


FIG. 19

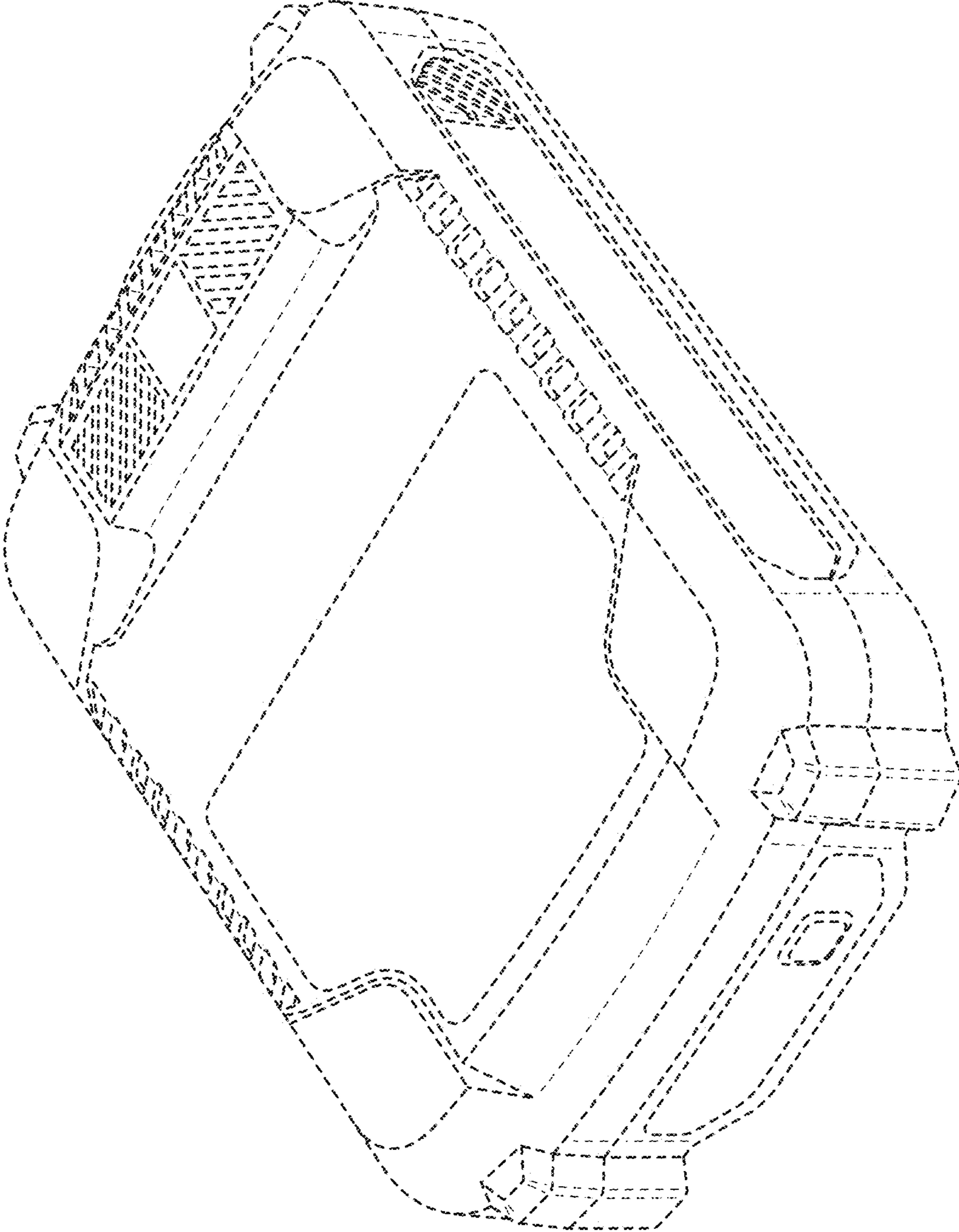


FIG. 20

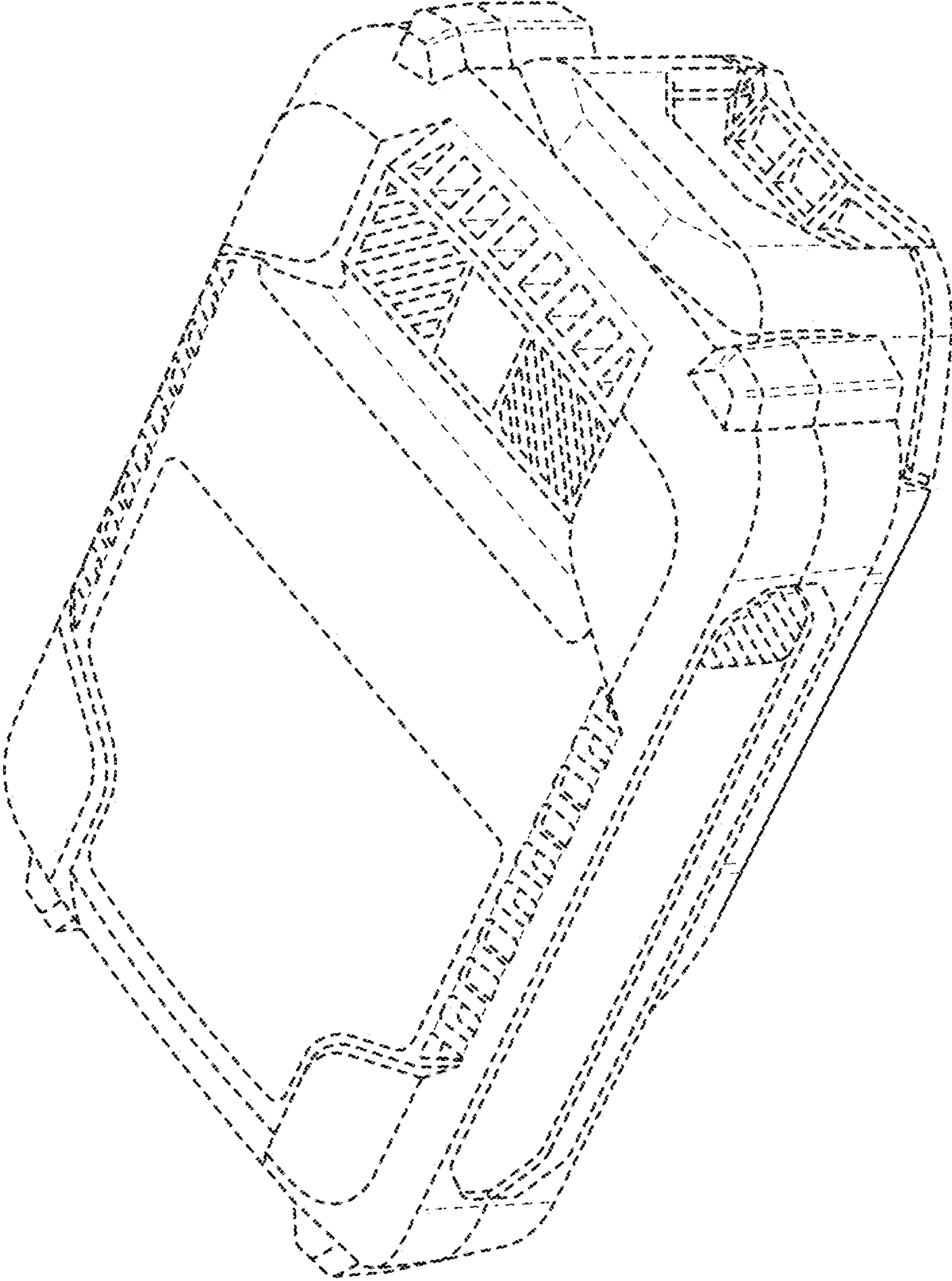


FIG. 21

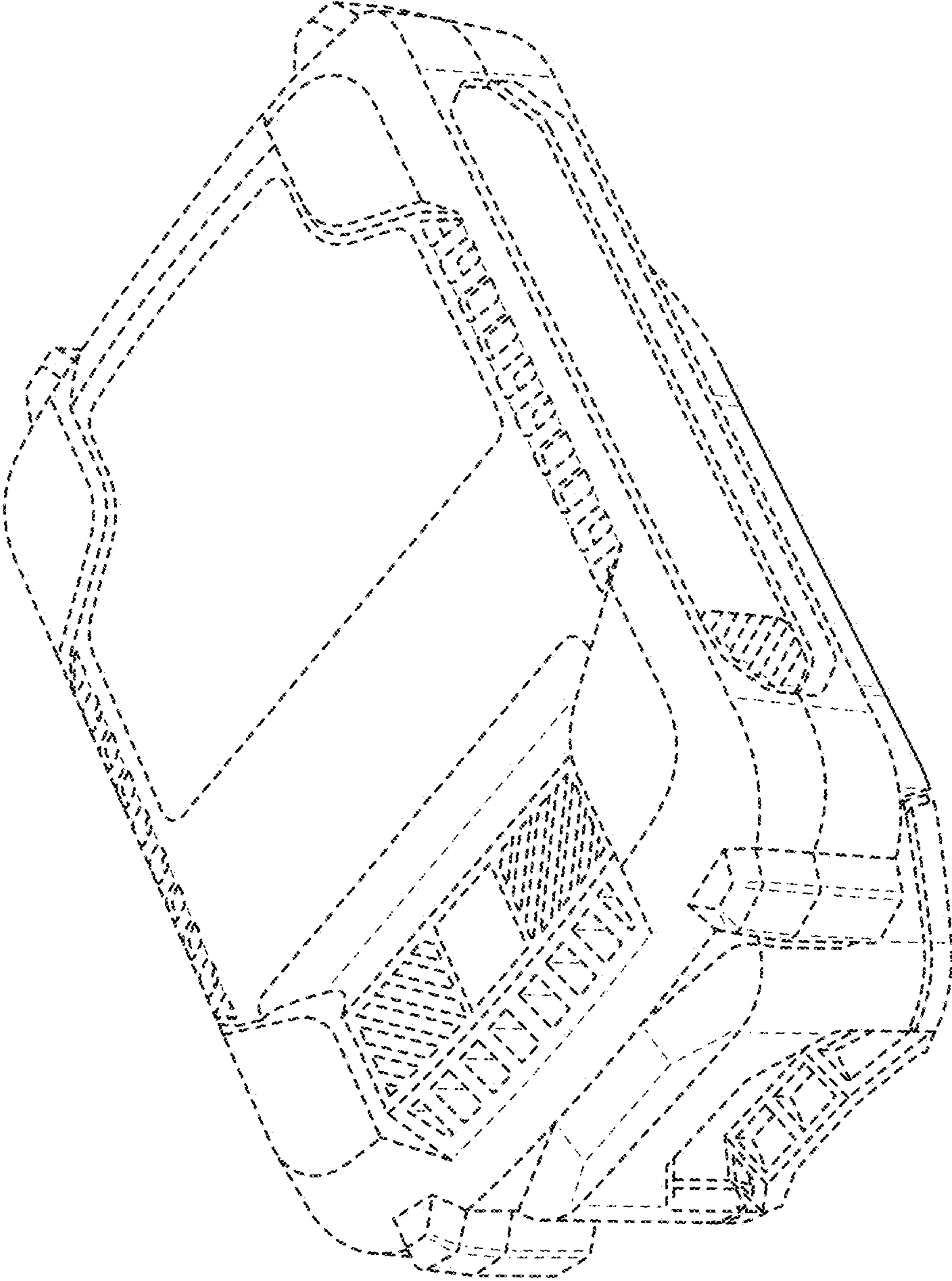


FIG. 22

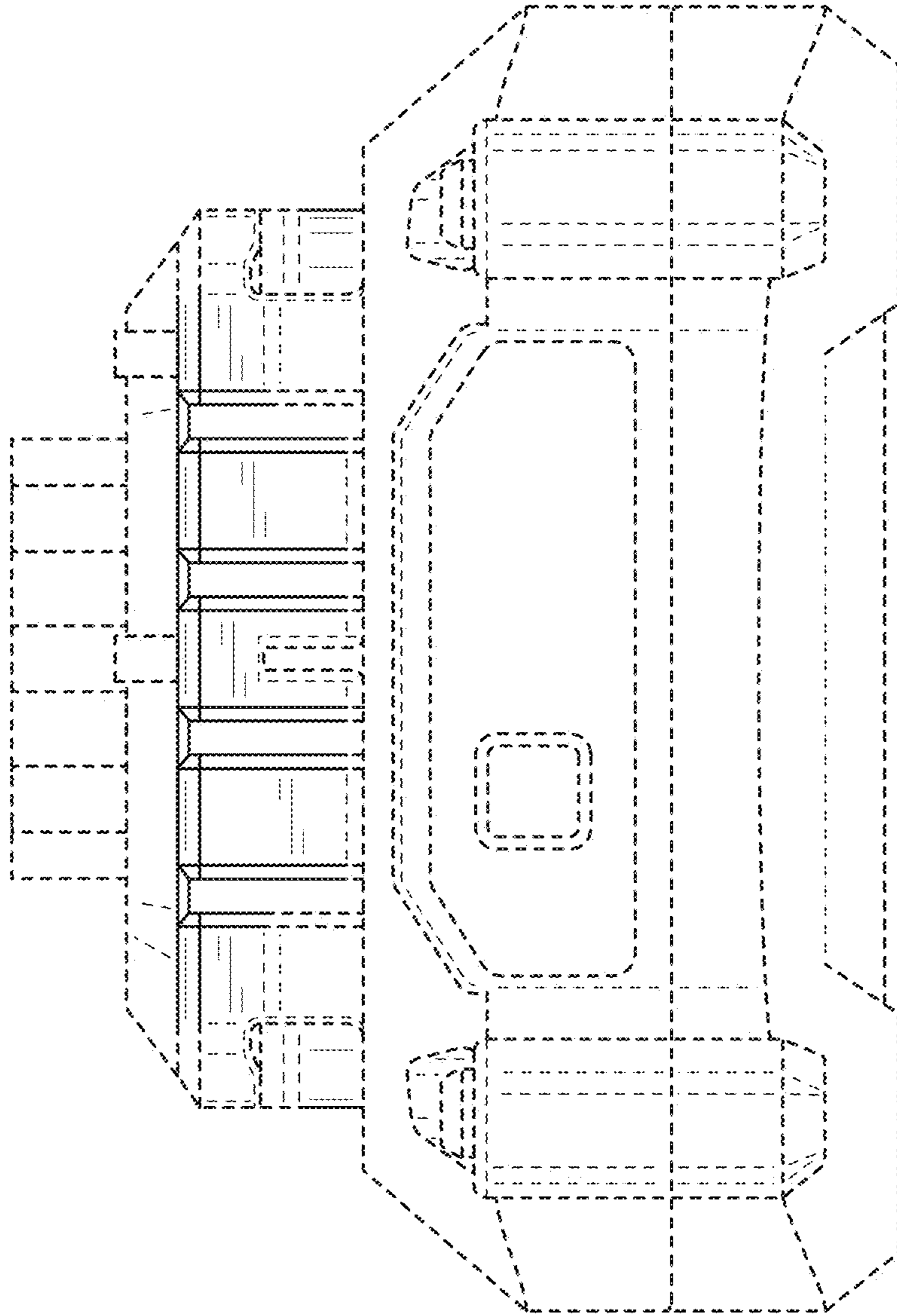


FIG. 23

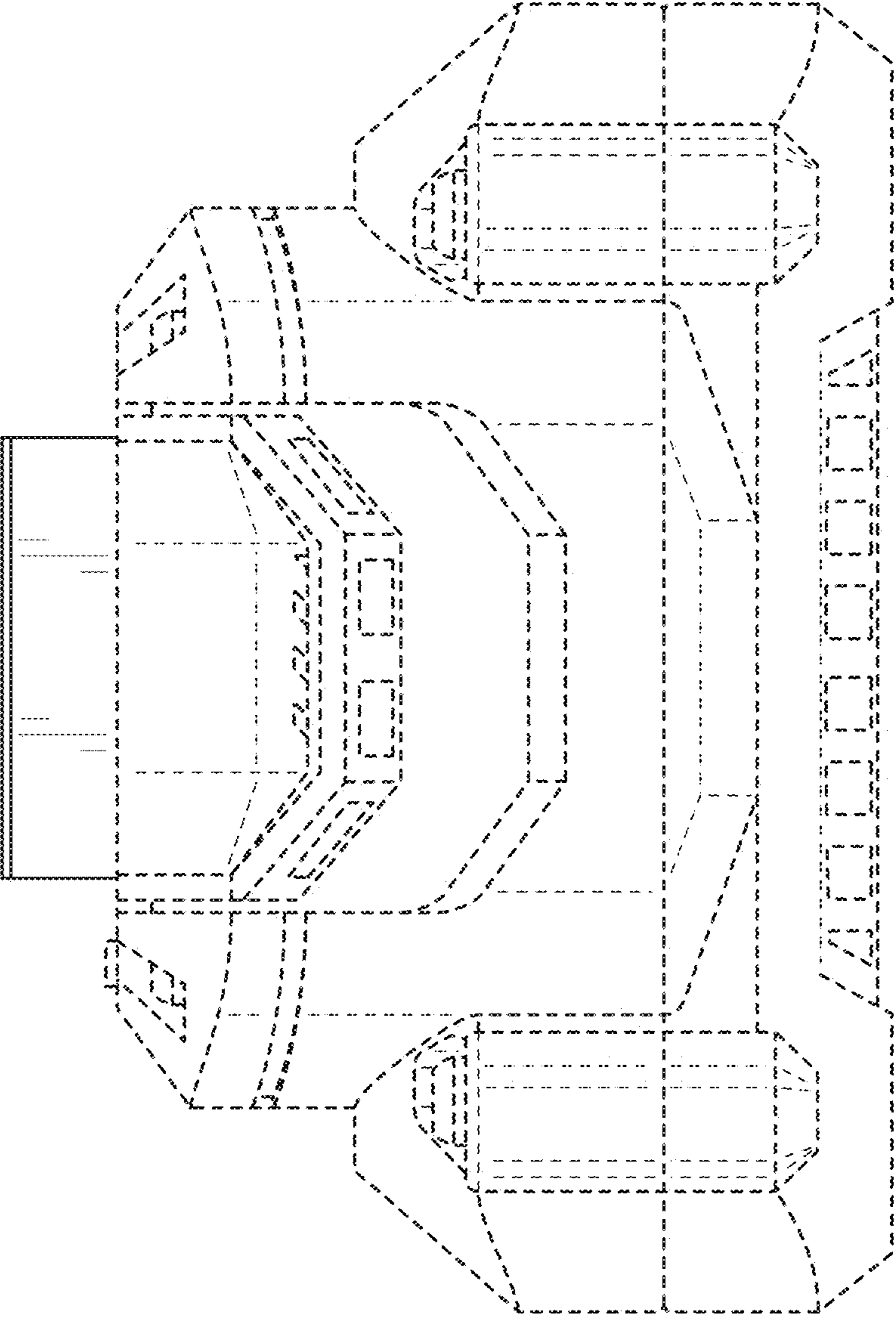


FIG. 24

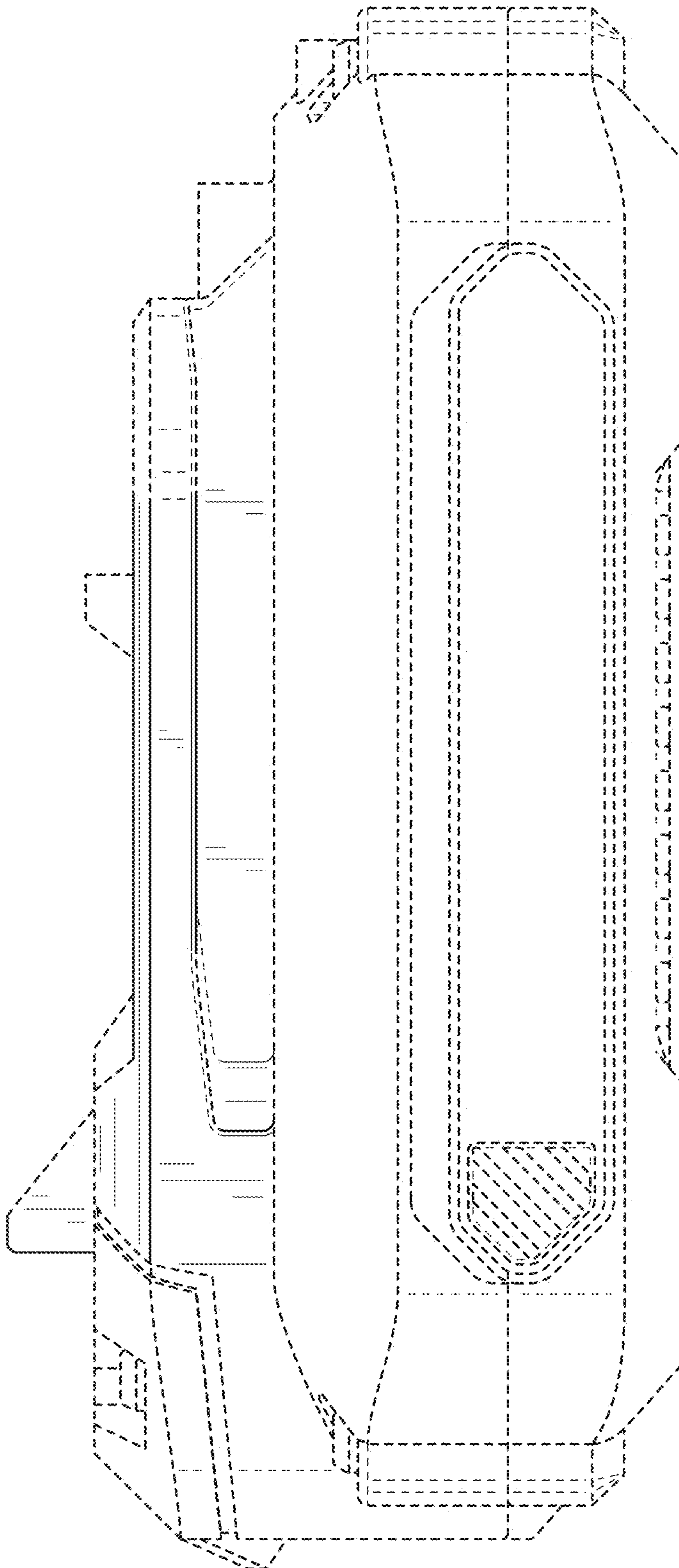


FIG. 25

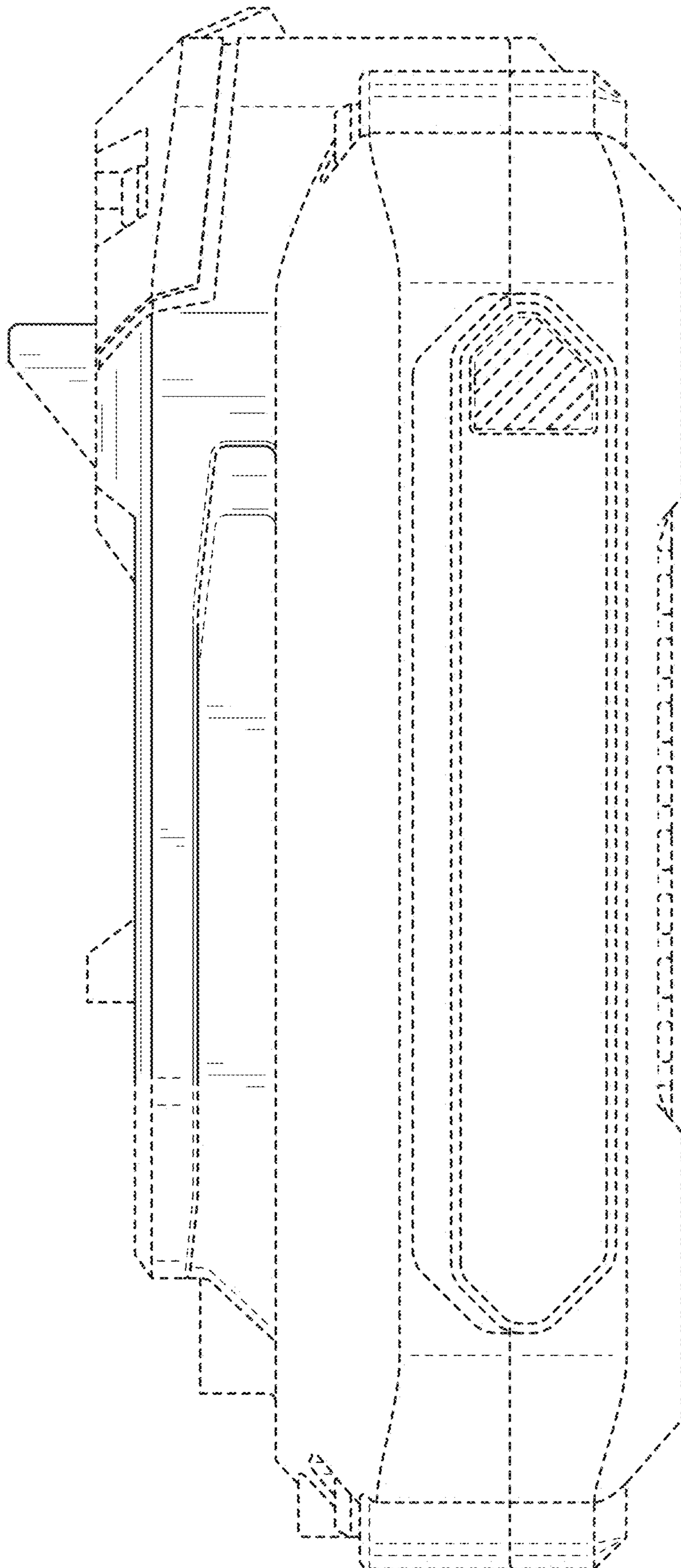


FIG. 26

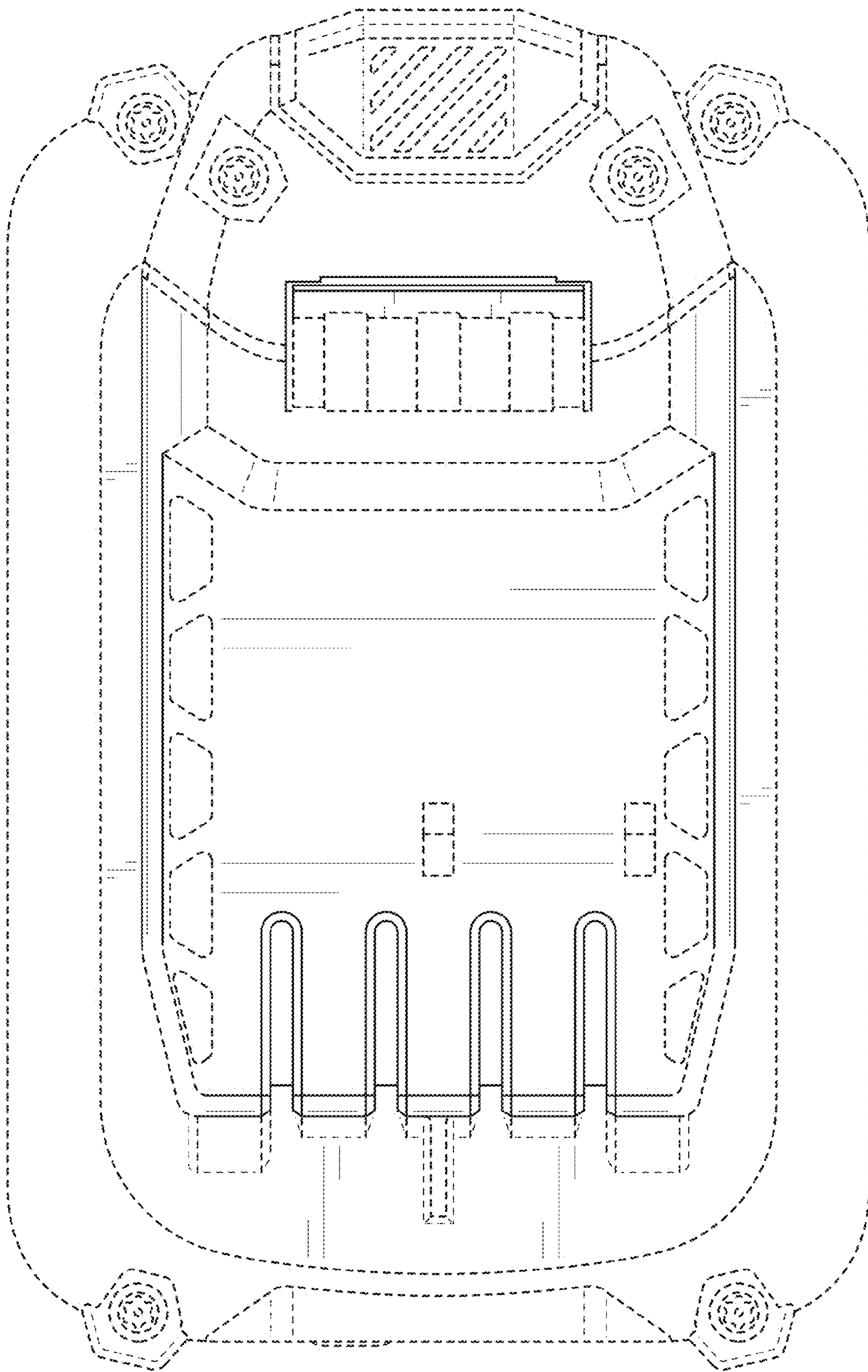


FIG. 27

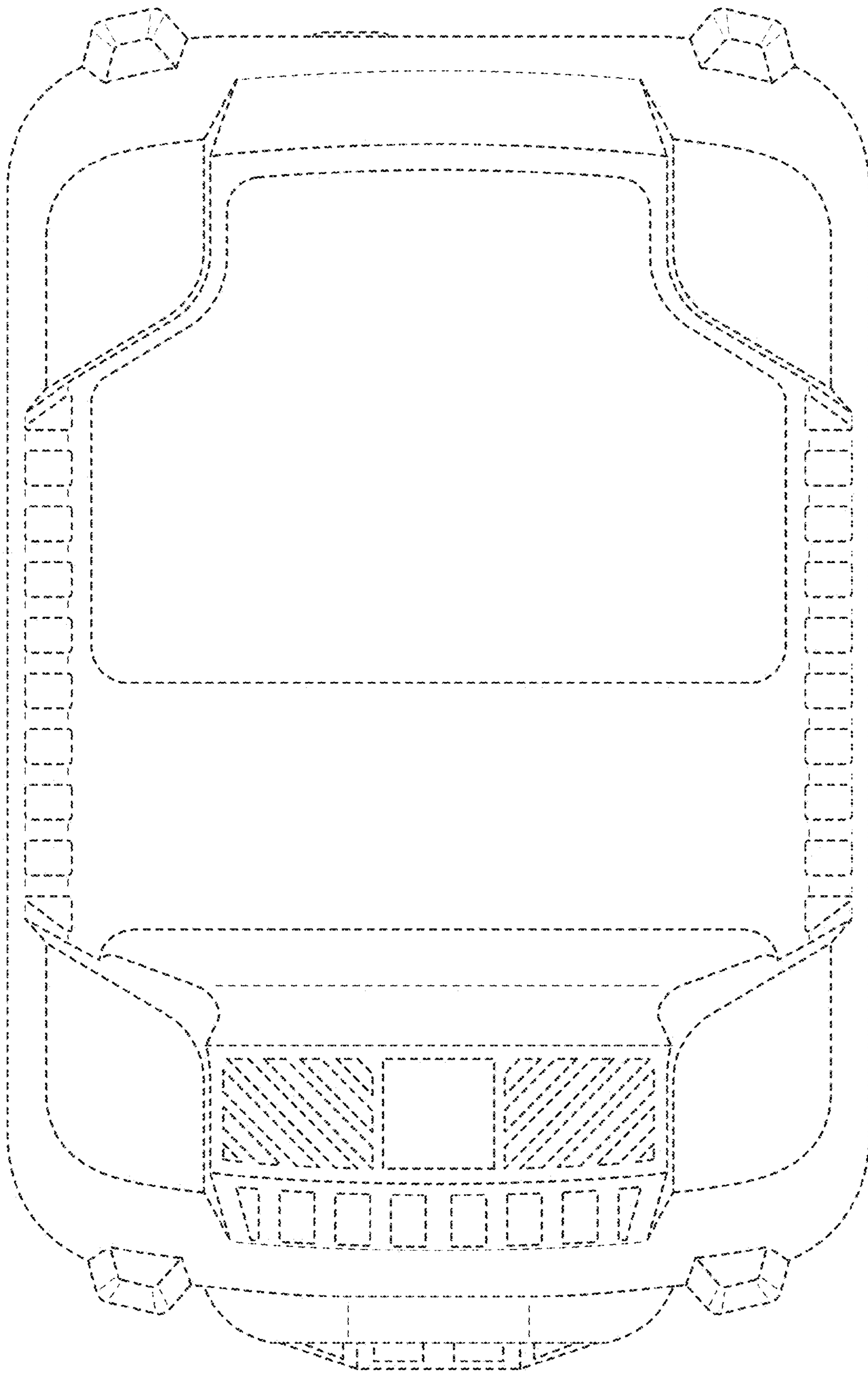


FIG. 28