



US00D890690S

(12) **United States Design Patent**
Speziari et al.

(10) **Patent No.:** **US D890,690 S**
(45) **Date of Patent:** **** Jul. 21, 2020**

- (54) **CAR TIRE**
- (71) Applicant: **PIRELLI TYRE S.P.A.**, Milan (IT)
- (72) Inventors: **Diego Speziari**, Milan (IT); **Stefano Montesello**, Milan (IT); **Vito Bello**, Milan (IT)
- (73) Assignee: **PIRELLI TYRE S.p.A.**, Milan (IT)
- (**) Term: **15 Years**
- (21) Appl. No.: **29/682,424**
- (22) Filed: **Mar. 5, 2019**

Related U.S. Application Data

- (60) Division of application No. 29/636,593, filed on Feb. 9, 2018, now Pat. No. Des. 857,623, which is a continuation of application No. 29/625,838, filed on Nov. 13, 2017, now Pat. No. Des. 857,622.

(30) **Foreign Application Priority Data**

May 12, 2017 (EM) 003998947
 Nov. 6, 2017 (EM) 004496594

- (51) **LOC (12) Cl.** **12-15**
- (52) **U.S. Cl.**
USPC **D12/604**
- (58) **Field of Classification Search**
USPC D12/500–532, 604
CPC Y10T 152/10027; B60C 1/0016; B60C 11/0306; B60C 11/0302; B60C 3/06; B60C 9/17
See application file for complete search history.

(56) **References Cited**

U.S. PATENT DOCUMENTS

D644,593 S * 9/2011 Fontaine D12/523
 D769,794 S * 10/2016 Kujime D12/523

D772,786 S * 11/2016 Morito D12/523
 D784,911 S * 4/2017 Hayashi D12/521
 D792,840 S * 7/2017 Hayashi D12/604
 D794,539 S * 8/2017 Bindner D12/523
 D797,036 S * 9/2017 Morito D12/524
 D800,048 S * 10/2017 Yoon D12/521
 D802,520 S * 11/2017 Abinal D12/521
 D825,442 S * 8/2018 Hayashi D12/532
 D853,314 S * 7/2019 Raatikainen D12/523
 D857,613 S * 8/2019 Speziari D12/517
 D857,615 S * 8/2019 Speziari D12/523
 D857,622 S * 8/2019 Speziari D12/604
 D857,623 S * 8/2019 Speziari D12/604
 D858,430 S * 9/2019 Speziari D12/604

* cited by examiner

Primary Examiner — Brandon M Rosati
Assistant Examiner — John A Voytek

(74) *Attorney, Agent, or Firm* — Finnegan, Henderson, Farabow, Garrett & Dunner, L.L.P.

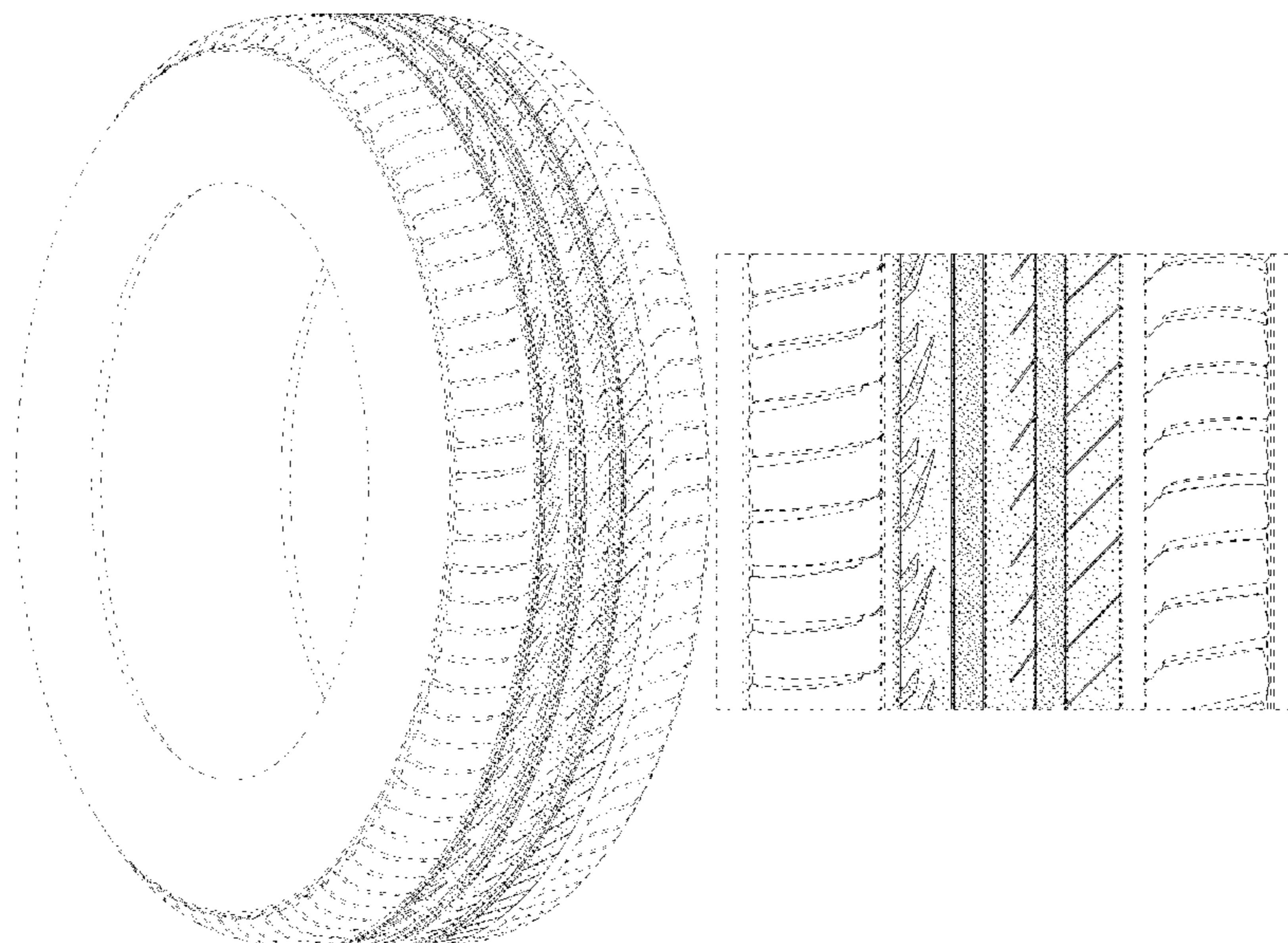
(57) **CLAIM**

The ornamental design for a car tire, as shown and described.

DESCRIPTION

FIG. 1 is a perspective view of a car tire, showing our new design;
 FIG. 2 is a front elevation view thereof, it being understood that the tread pattern is repeated throughout the circumference of the car tire;
 FIG. 3 is a left side elevation view thereof;
 FIG. 4 is a right side elevation view thereof; and,
 FIG. 5 is an enlarged front elevation view of FIG. 2, showing a portion thereof.
 In the drawings, the evenly spaced broken lines depict portions of the car tire that form no part of the claimed design. The dashed lines of uneven length define the bounds of the claim and form no part of the claimed design.

1 Claim, 5 Drawing Sheets



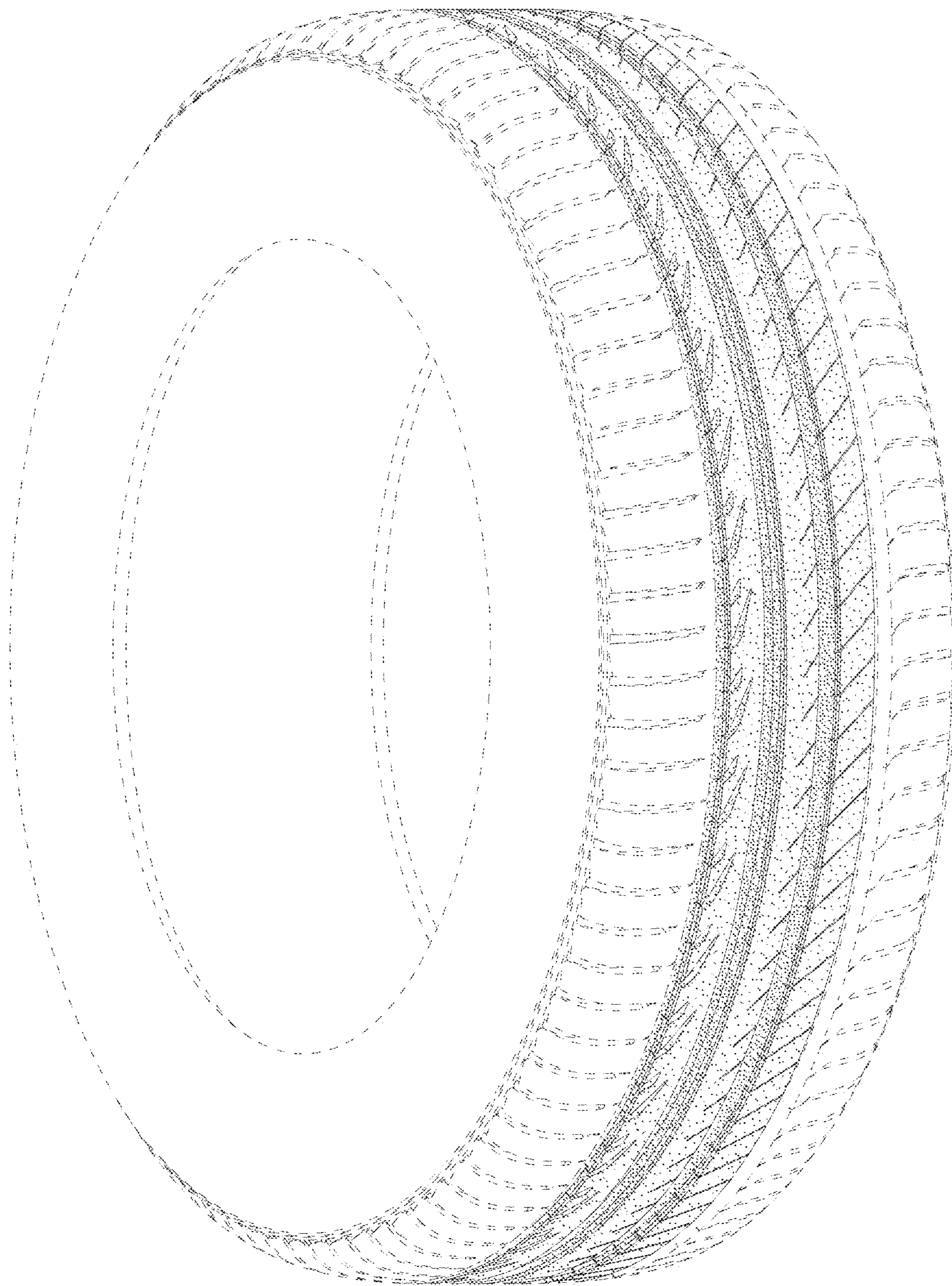


FIG. 1

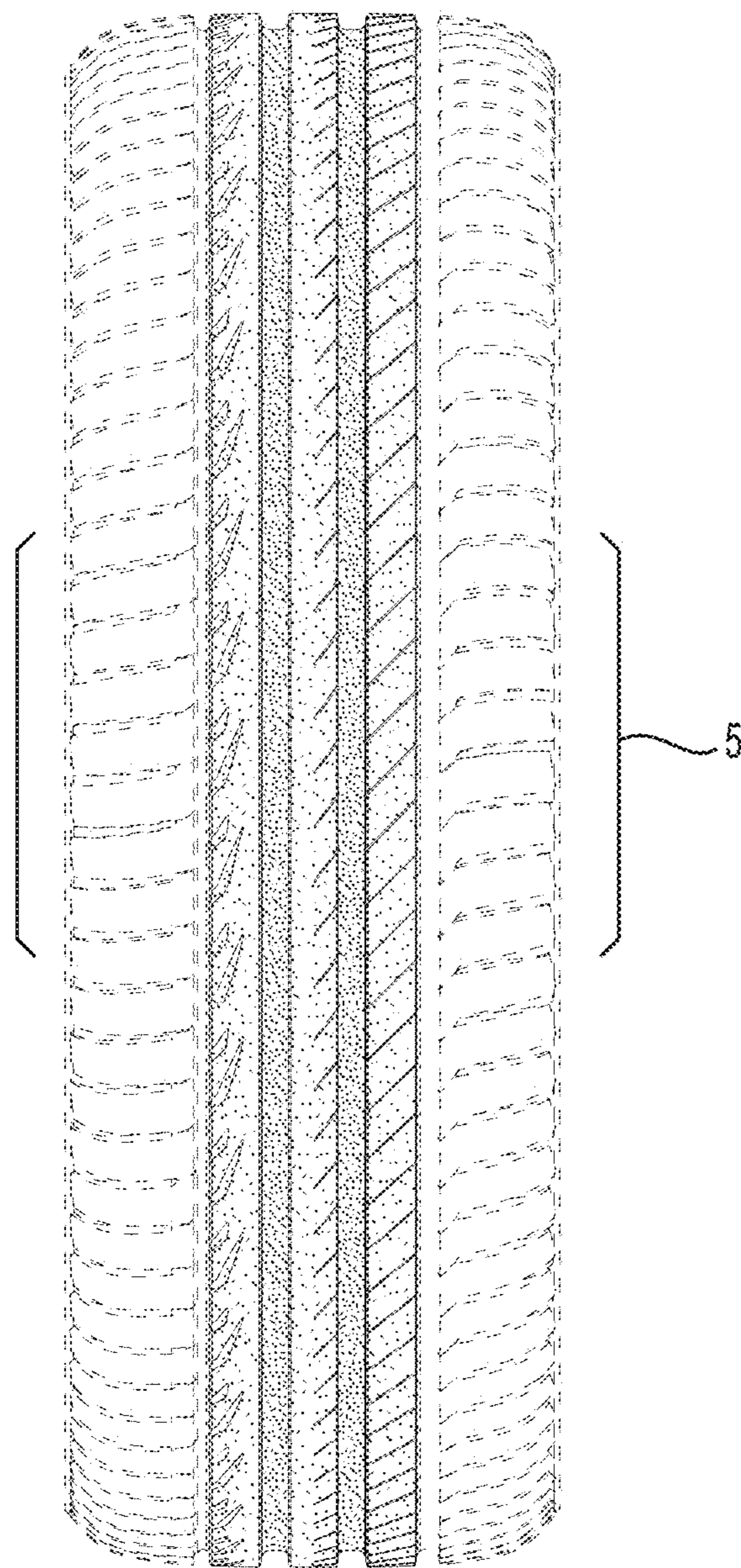


FIG. 2

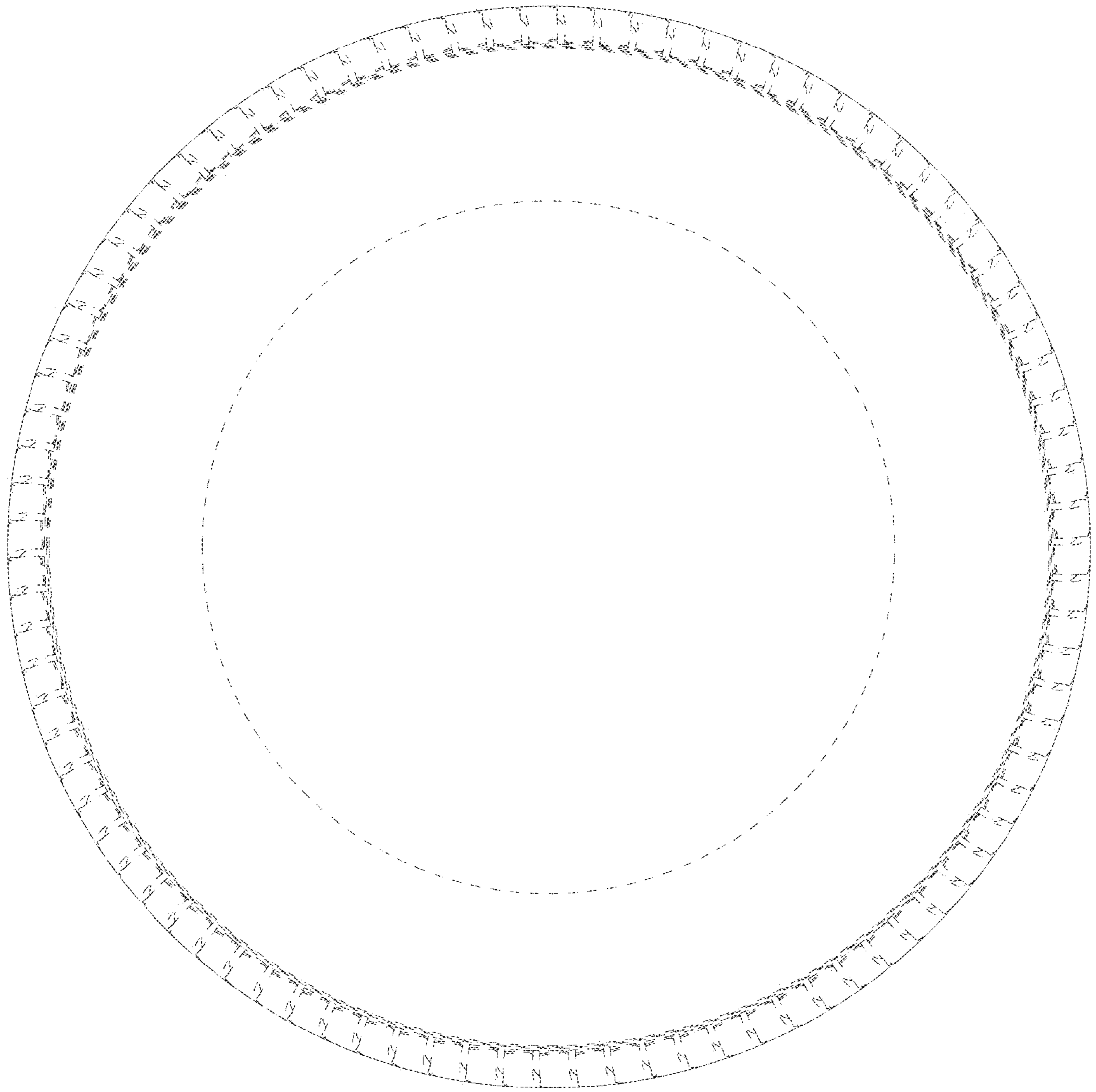


FIG. 3

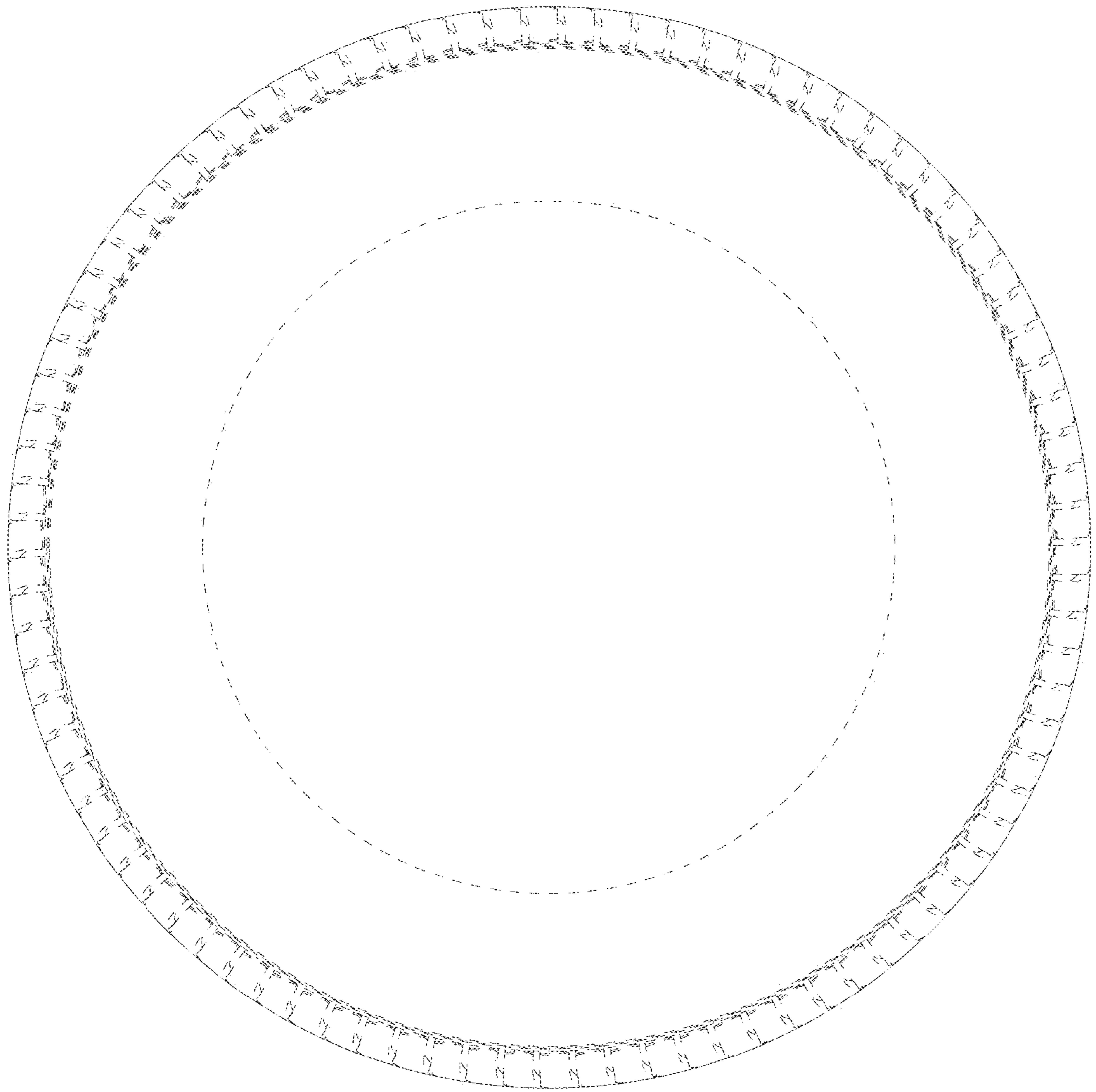


FIG. 4

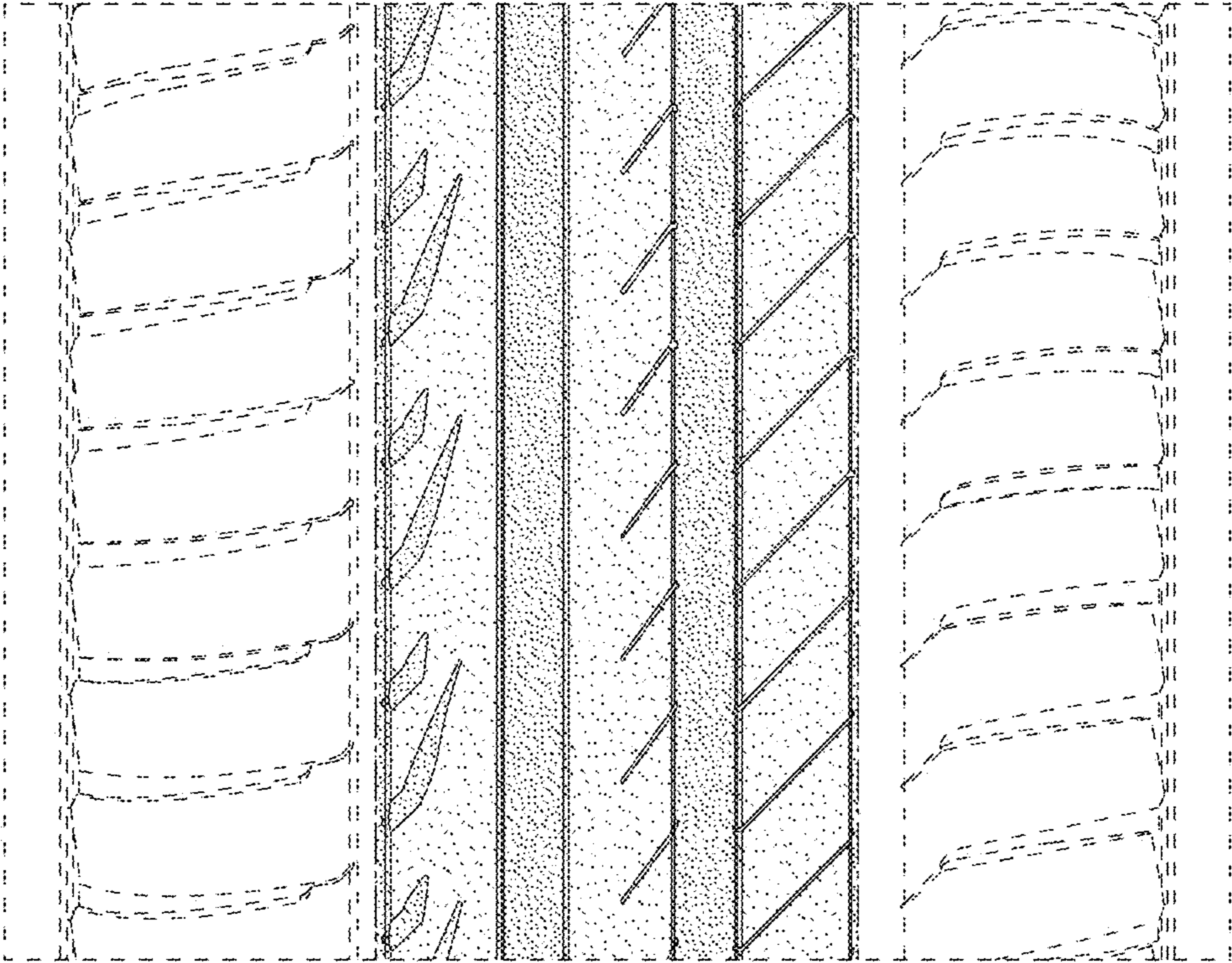


FIG. 5