



US00D890689S

(12) **United States Design Patent** (10) **Patent No.:** **US D890,689 S**  
**Speziari et al.** (45) **Date of Patent:** **\*\* Jul. 21, 2020**

(54) **CAR TIRE**  
(71) Applicant: **PIRELLI TYRE S.P.A.**, Milan (IT)  
(72) Inventors: **Diego Speziari**, Milan (IT); **Stefano Montesello**, Milan (IT); **Vito Bello**, Milan (IT)  
(73) Assignee: **PIRELLI TYRE S.p.A.**, Milan (IT)  
(\*\*) Term: **15 Years**  
(21) Appl. No.: **29/682,415**  
(22) Filed: **Mar. 5, 2019**

D772,786 S \* 11/2016 Morito ..... D12/523  
D784,911 S \* 4/2017 Hayashi ..... D12/521  
D785,547 S \* 5/2017 Taniguchi ..... D12/523  
D786,776 S \* 5/2017 Aoki ..... D12/521  
D792,840 S \* 7/2017 Hayashi ..... D12/604  
D794,539 S \* 8/2017 Bindner ..... D12/523  
D825,442 S \* 8/2018 Hayashi ..... D12/532  
D853,314 S \* 7/2019 Raatikainen ..... D12/523  
D857,613 S \* 8/2019 Speziari ..... D12/517  
D857,615 S \* 8/2019 Speziari ..... D12/523  
D857,622 S \* 8/2019 Speziari ..... D12/604  
D857,623 S \* 8/2019 Speziari ..... D12/604  
D858,430 S \* 9/2019 Speziari ..... D12/604

\* cited by examiner

*Primary Examiner* — Brandon M Rosati  
*Assistant Examiner* — John A Voytek  
(74) *Attorney, Agent, or Firm* — Finnegan, Henderson, Farabow, Garrett & Dunner, L.L.P.

**Related U.S. Application Data**

(60) Division of application No. 29/636,597, filed on Feb. 9, 2018, now Pat. No. Des. 857,613, which is a continuation of application No. 29/625,838, filed on Nov. 13, 2017, now Pat. No. Des. 857,622.

**Foreign Application Priority Data**

May 12, 2017 (EM) ..... 003998947  
Nov. 6, 2017 (EM) ..... 004496594

(51) **LOC (12) Cl.** ..... **12-15**  
(52) **U.S. Cl.**  
USPC ..... **D12/604**  
(58) **Field of Classification Search**  
USPC ..... D12/500–532, 604  
CPC ..... Y10T 152/10027; B60C 1/0016; B60C 11/0306; B60C 11/0302; B60C 3/06; B60C 9/17  
See application file for complete search history.

**References Cited**

**U.S. PATENT DOCUMENTS**

D769,793 S \* 10/2016 Haanketo ..... D12/523  
D769,794 S \* 10/2016 Kujime ..... D12/523

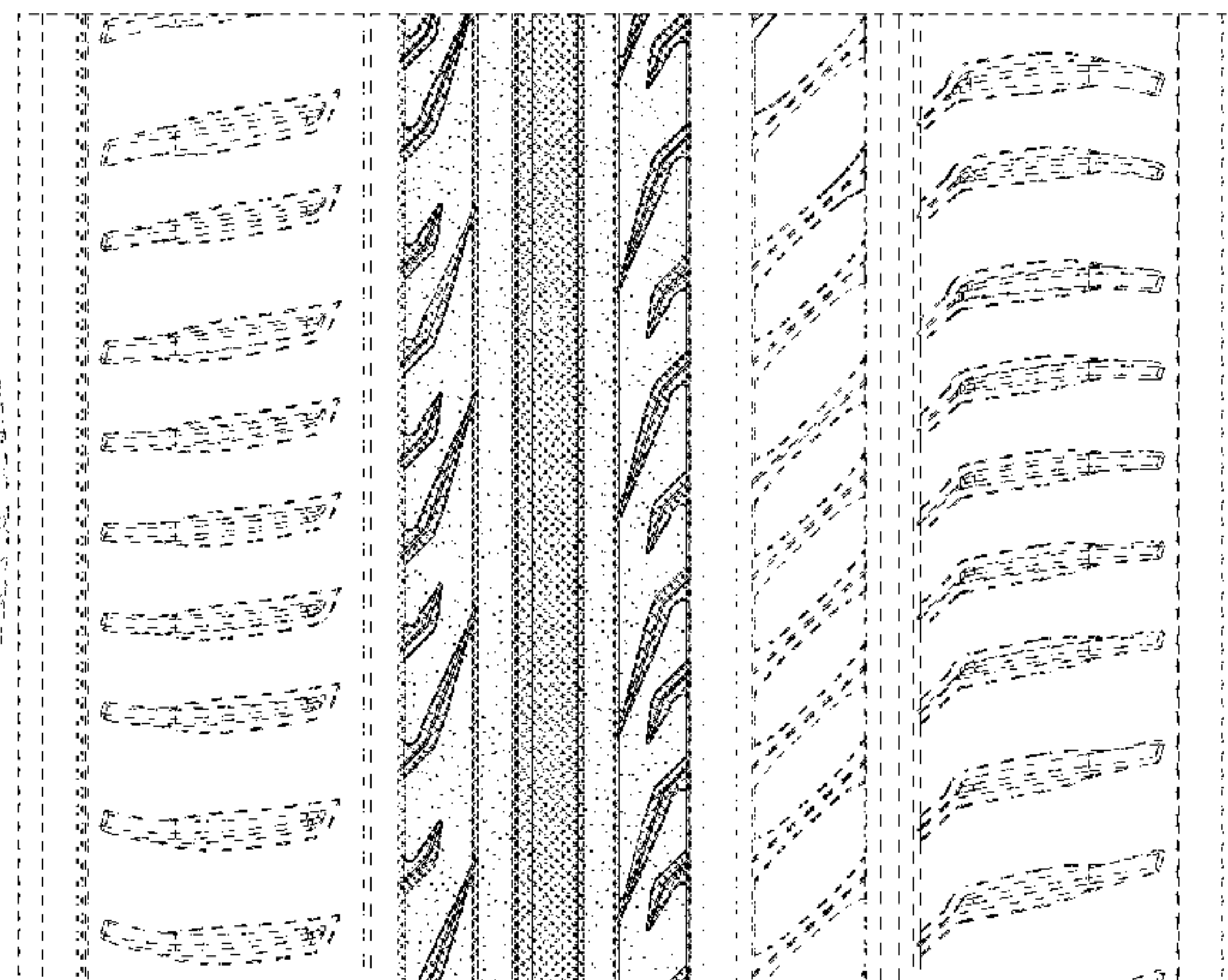
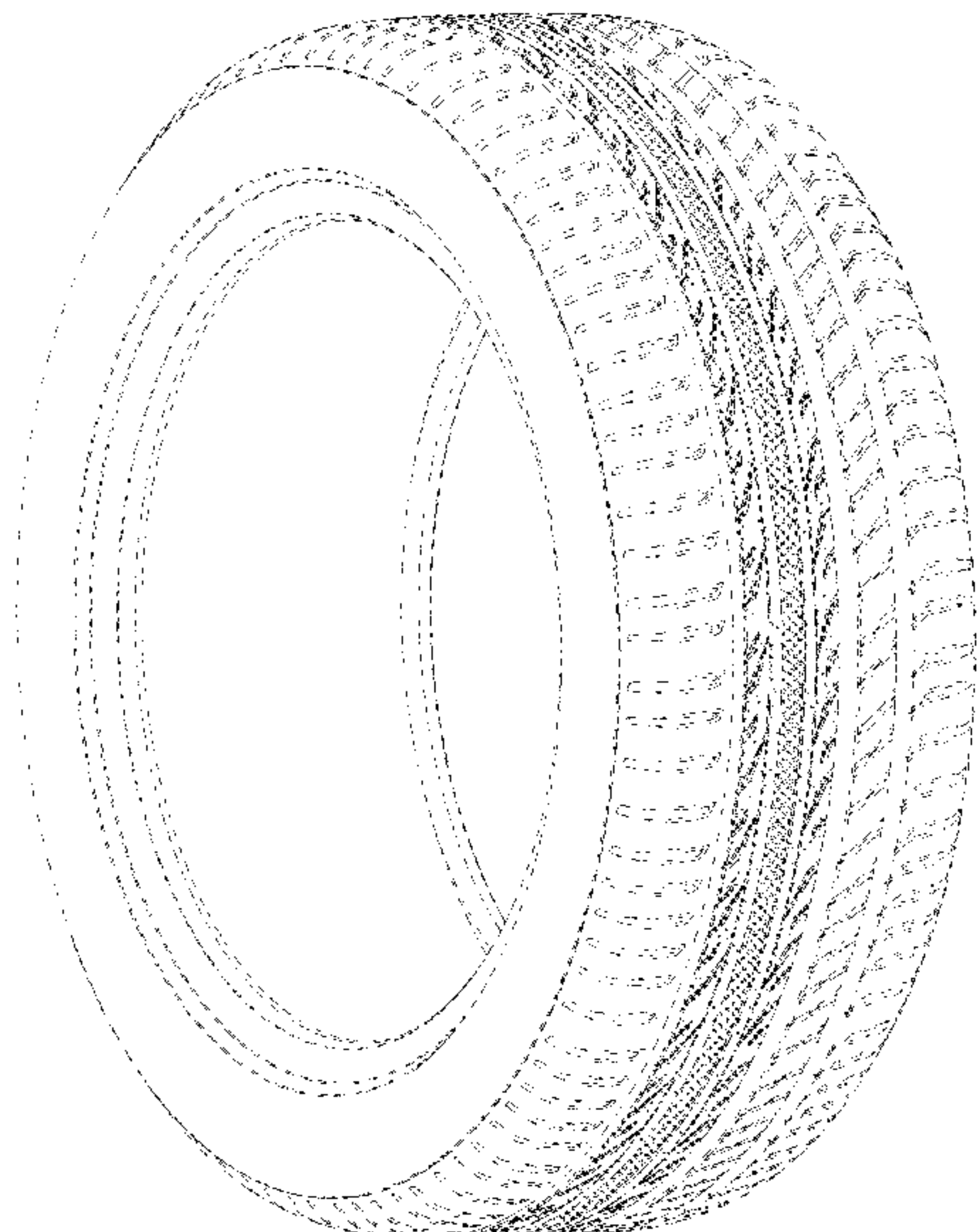
(57) **CLAIM**

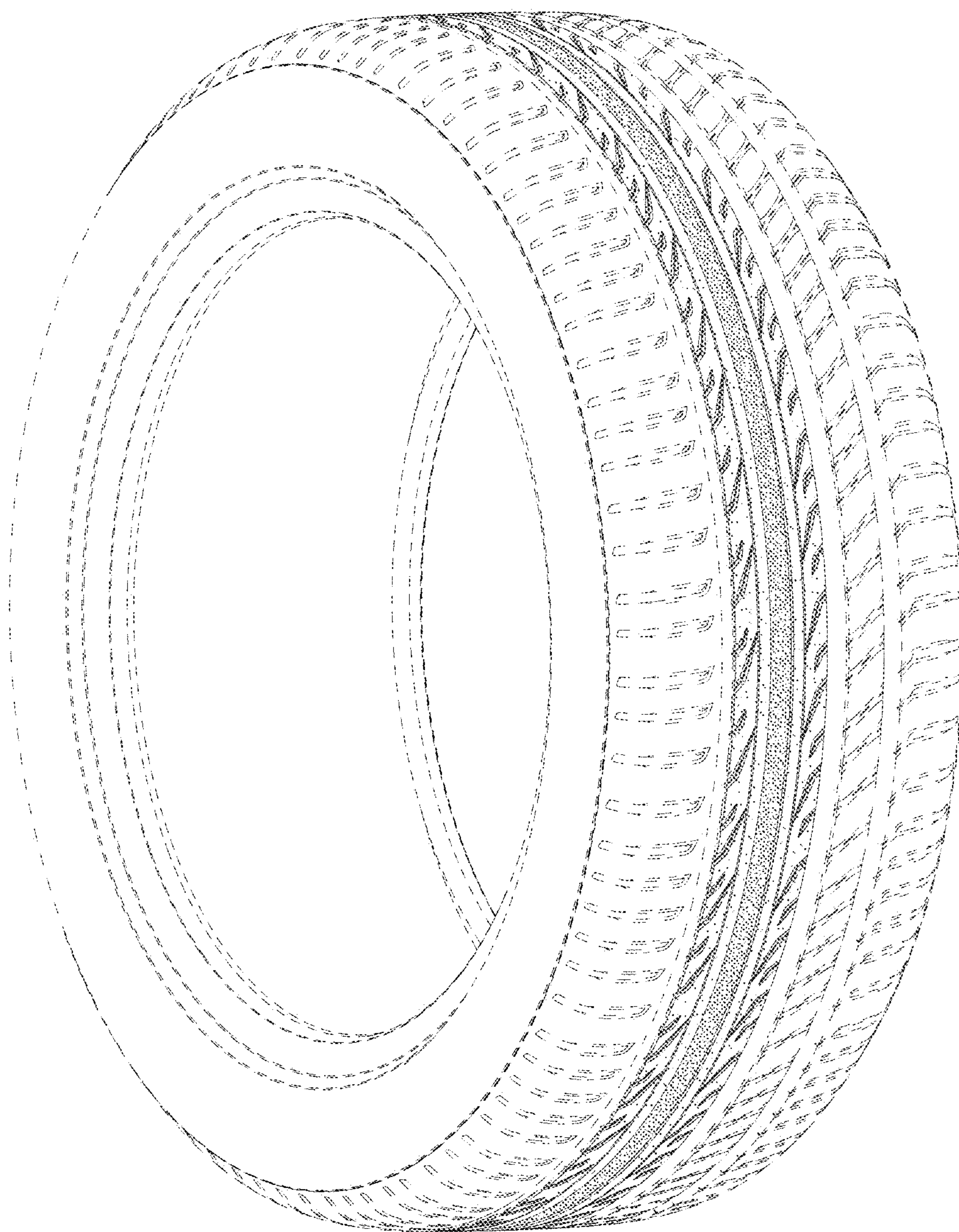
The ornamental design for a car tire, as shown and described.

**DESCRIPTION**

FIG. 1 is a perspective view of a car tire, showing our new design;  
FIG. 2 is a front elevation view thereof, it being understood that the tread pattern is repeated throughout the circumference of the car tire;  
FIG. 3 is a left side elevation view thereof;  
FIG. 4 is a right side elevation view thereof; and,  
FIG. 5 is an enlarged front elevation view of FIG. 2, showing a portion thereof.  
In the drawings, the evenly spaced broken lines depict portions of the car tire that form no part of the claimed design. The dashed lines of uneven length define the bounds of the claim and form no part of the claimed design.

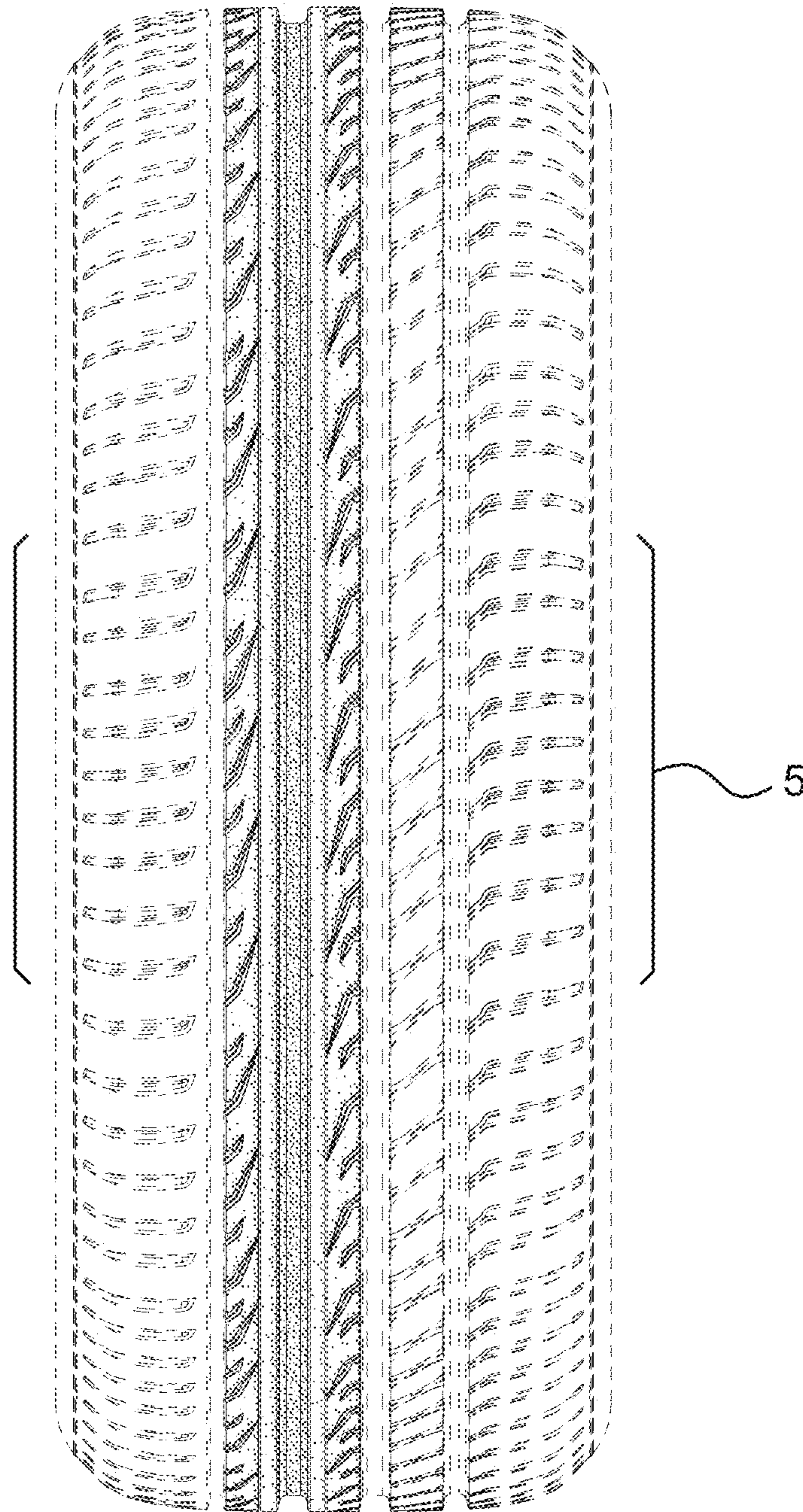
**1 Claim, 5 Drawing Sheets**



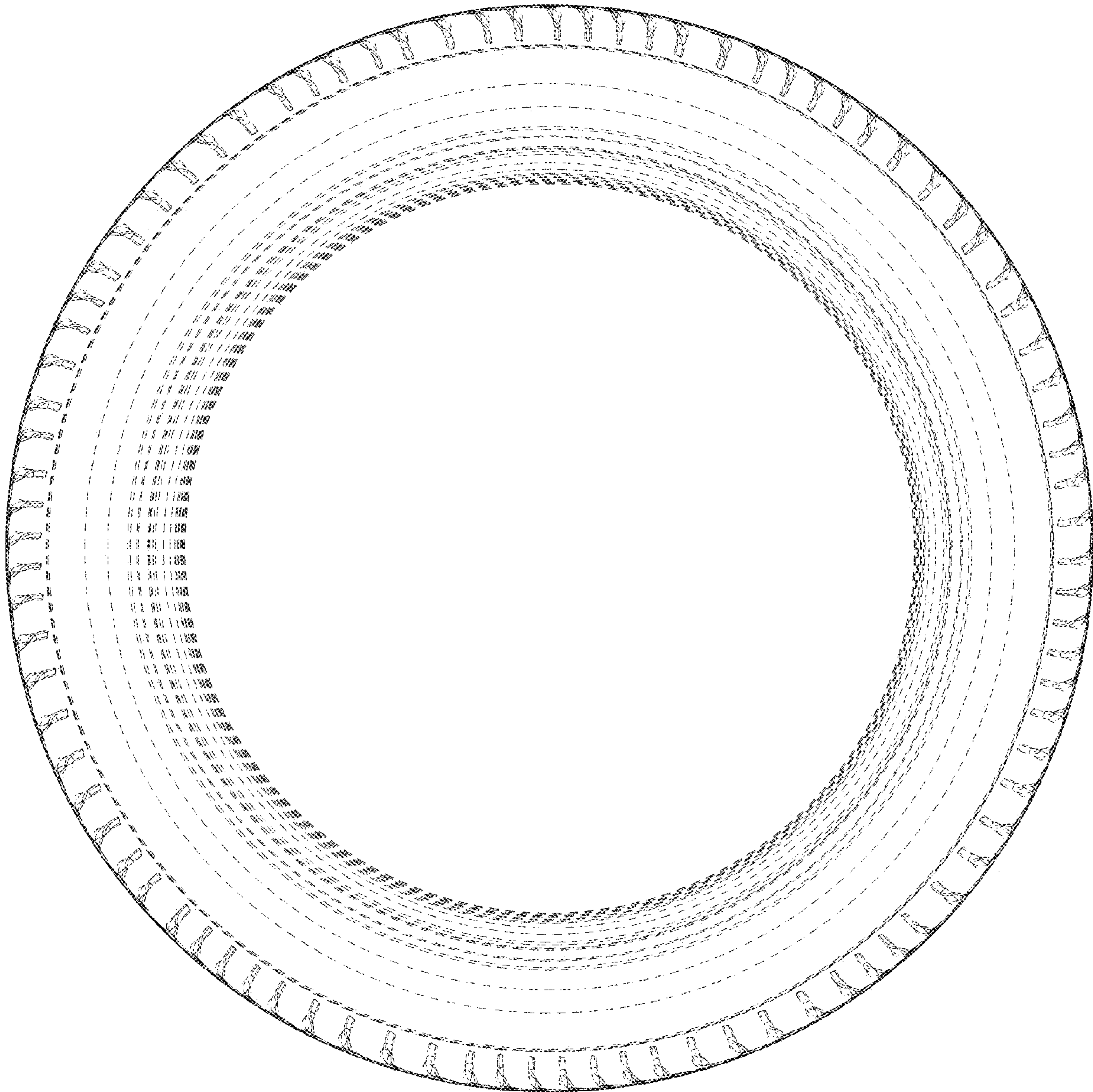


**FIG. 1**



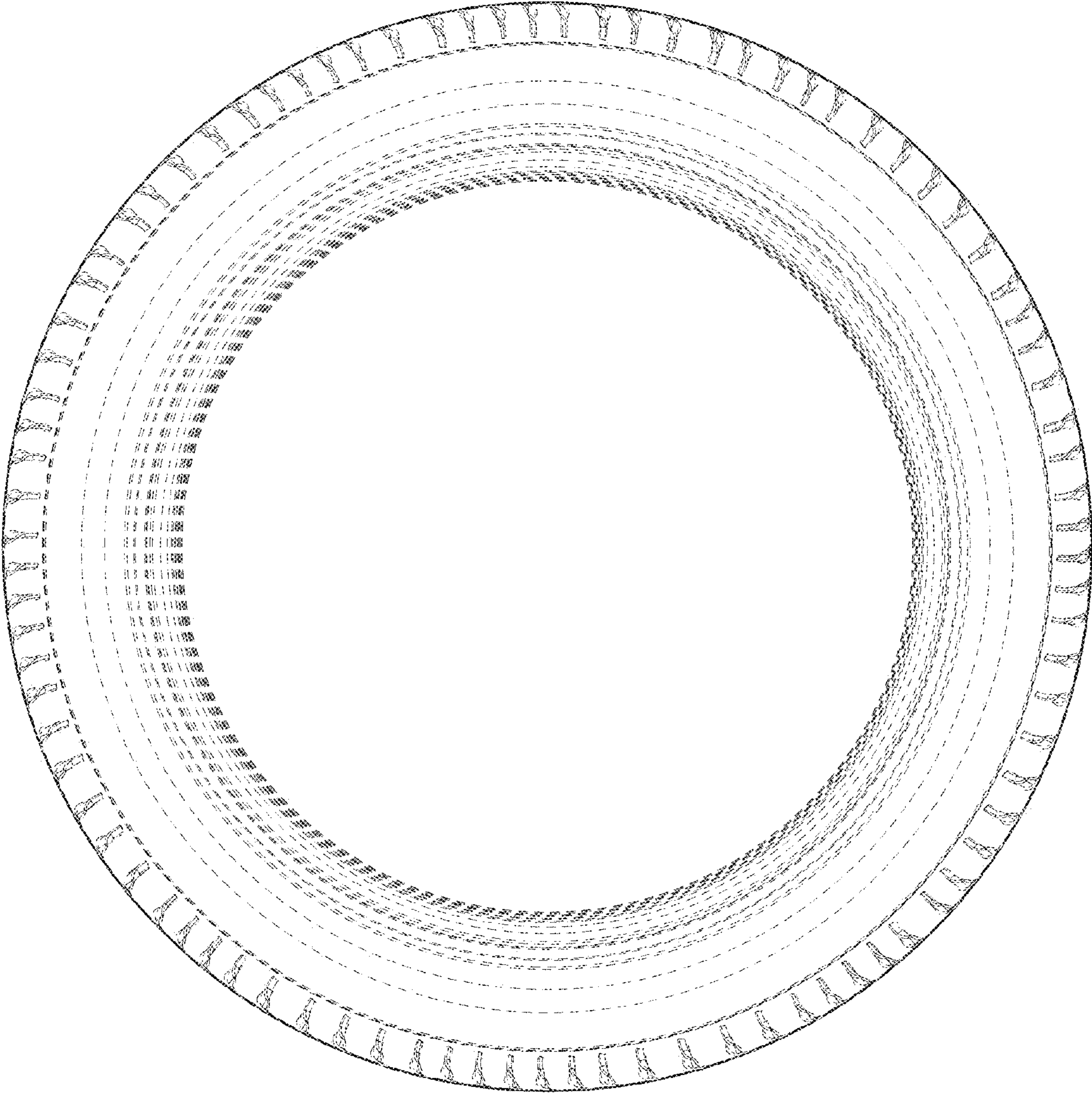


**FIG. 2**

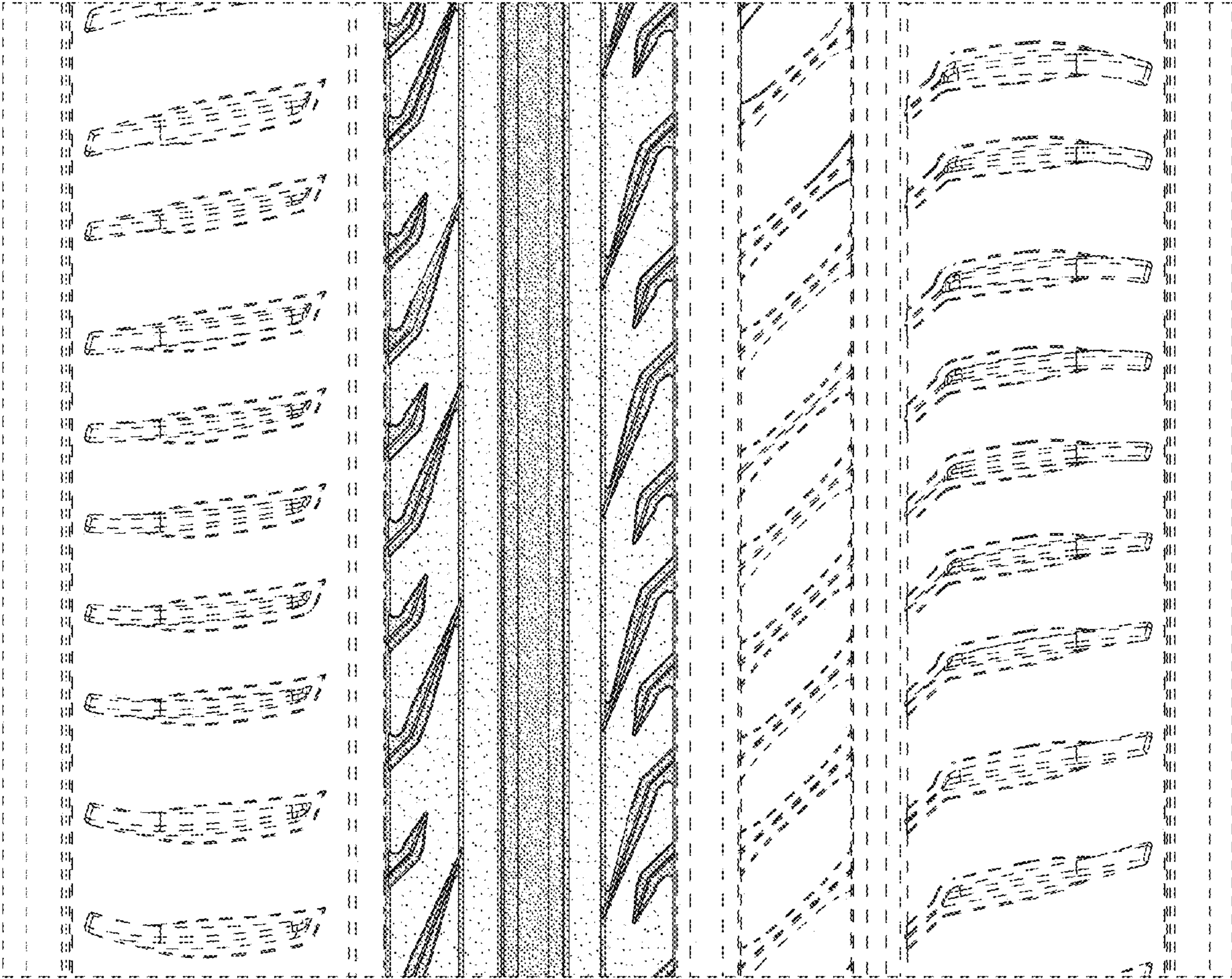


**FIG. 3**





**FIG. 4**



**FIG. 5**