



US00D890687S

(12) **United States Design Patent** (10) **Patent No.:** **US D890,687 S**
Bilbrey et al. (45) **Date of Patent:** **** Jul. 21, 2020**

(54) **CONSOLE**

(71) Applicant: **Bell Helicopter Textron Inc.**, Fort Worth, TX (US)

(72) Inventors: **Levi Bilbrey**, Fort Worth, TX (US); **Allen Brittain**, Flower Mound, TX (US)

(73) Assignee: **Textron Innovations Inc.**, Providence, RI (US)

(**) Term: **15 Years**

(21) Appl. No.: **29/675,539**

(22) Filed: **Jan. 3, 2019**

(51) **LOC (12) Cl.** **12-16**

(52) **U.S. Cl.**
USPC **D12/419**

(58) **Field of Classification Search**
USPC D12/419, 415; D7/620
CPC .. B60Q 3/225; B60Q 3/64; B60N 3/10; B60R 7/08
See application file for complete search history.

(56) **References Cited**

U.S. PATENT DOCUMENTS

D770,968 S	*	11/2016	Willis	D12/415
D781,210 S	*	3/2017	Itou	D12/419
D781,211 S	*	3/2017	Satou	D12/419
D801,911 S	*	11/2017	Stroud	D12/419

D808,330 S	*	1/2018	Kuwahara	D12/419
D830,951 S	*	10/2018	Karasawa	D12/419
D836,059 S	*	12/2018	Takagi	D12/415
D836,060 S	*	12/2018	Takagi	D12/415
D856,265 S	*	8/2019	Tomasson	D12/419
D857,611 S	*	8/2019	Igarashi	D12/415
D869,380 S	*	12/2019	Kabata	D12/415

* cited by examiner

Primary Examiner — Katrina A Betton

(74) *Attorney, Agent, or Firm* — Lightfoot & Alford PLLC

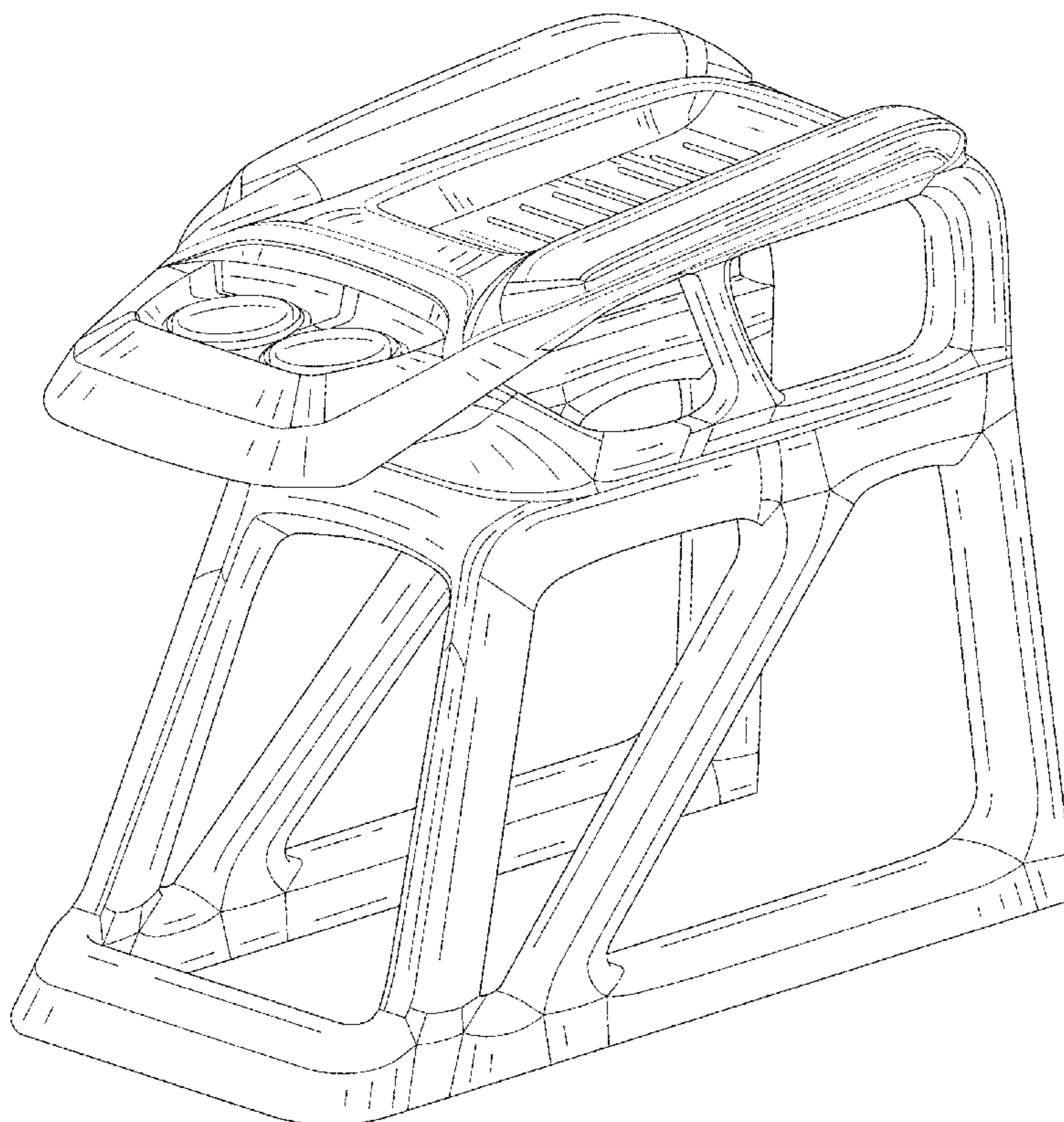
(57) **CLAIM**

The ornamental design for a console, as shown and described.

DESCRIPTION

FIG. 1 is an oblique view of a first embodiment of a console comprising an upper structure and a lower structure.
 FIG. 2 is a front elevational view of the console of FIG. 1.
 FIG. 3 is a rear elevational view of the console of FIG. 1.
 FIG. 4 is a right side elevational view of the console of FIG. 1.
 FIG. 5 is a left side elevational view of console of FIG. 1.
 FIG. 6 is a top plan view of the console of FIG. 1.
 FIG. 7 is a bottom plan view of the console of FIG. 1; and,
 FIG. 8 is a top plan view of a second embodiment of the console comprising only the lower structure.

1 Claim, 8 Drawing Sheets



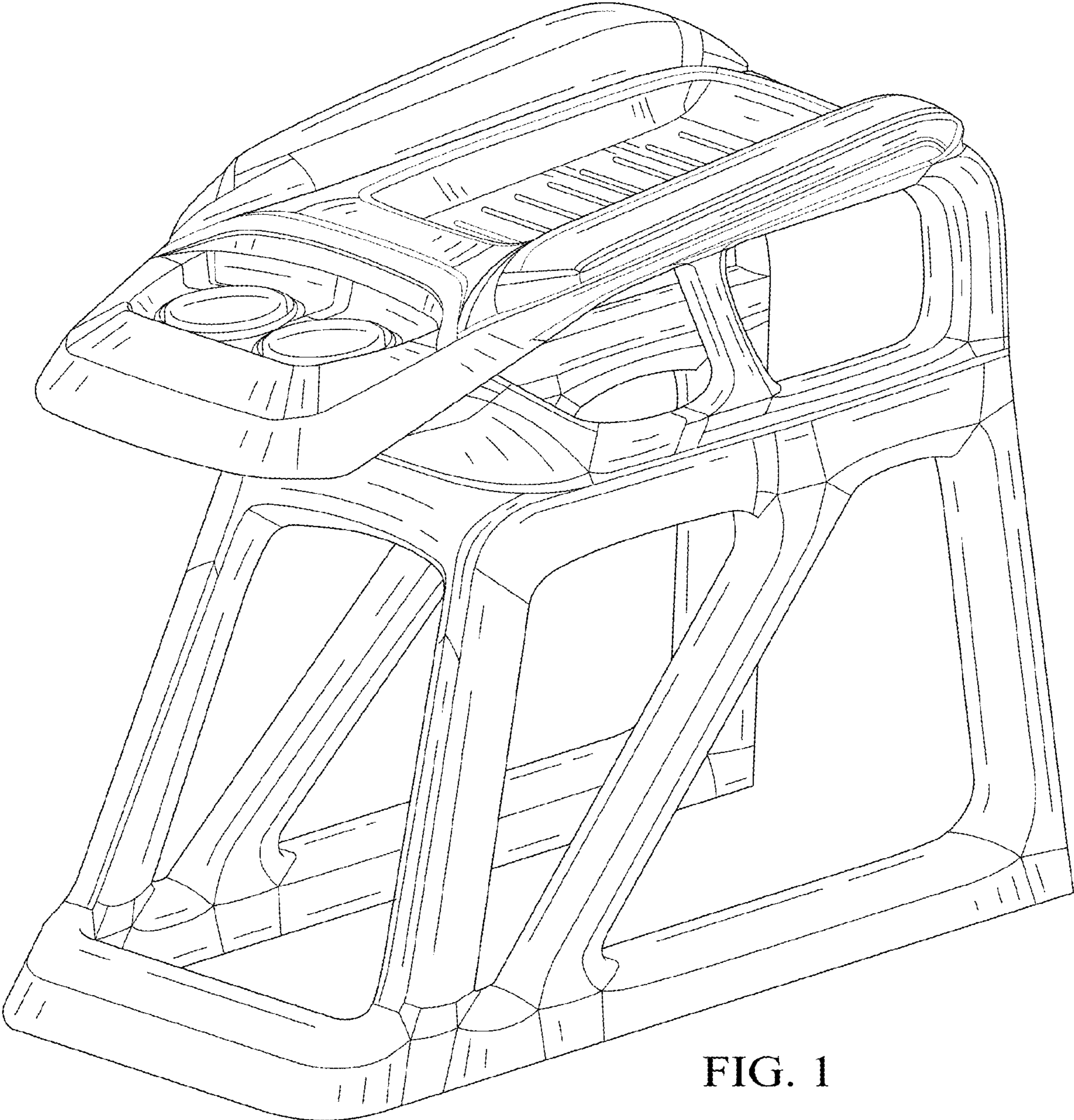


FIG. 1

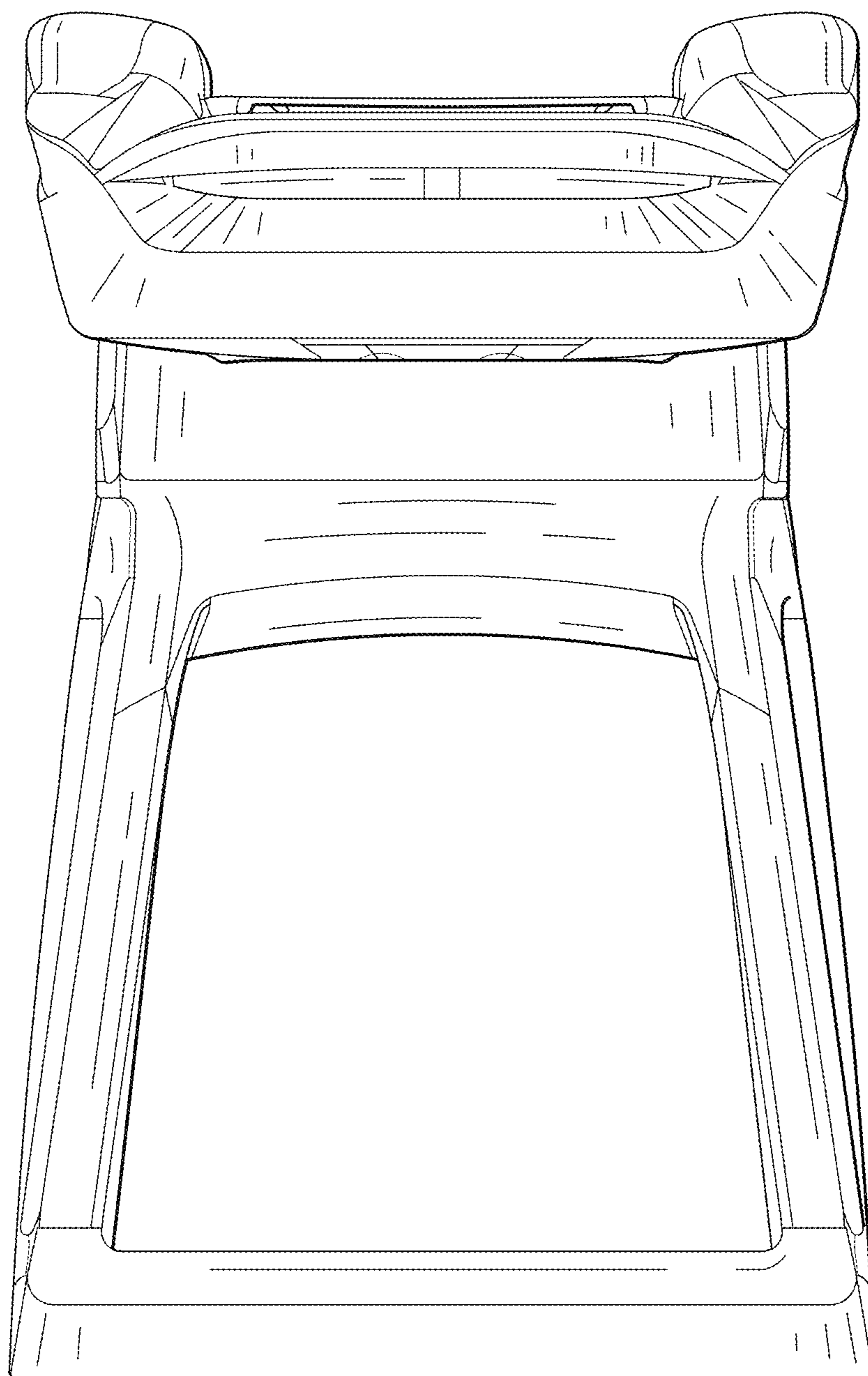


FIG. 2

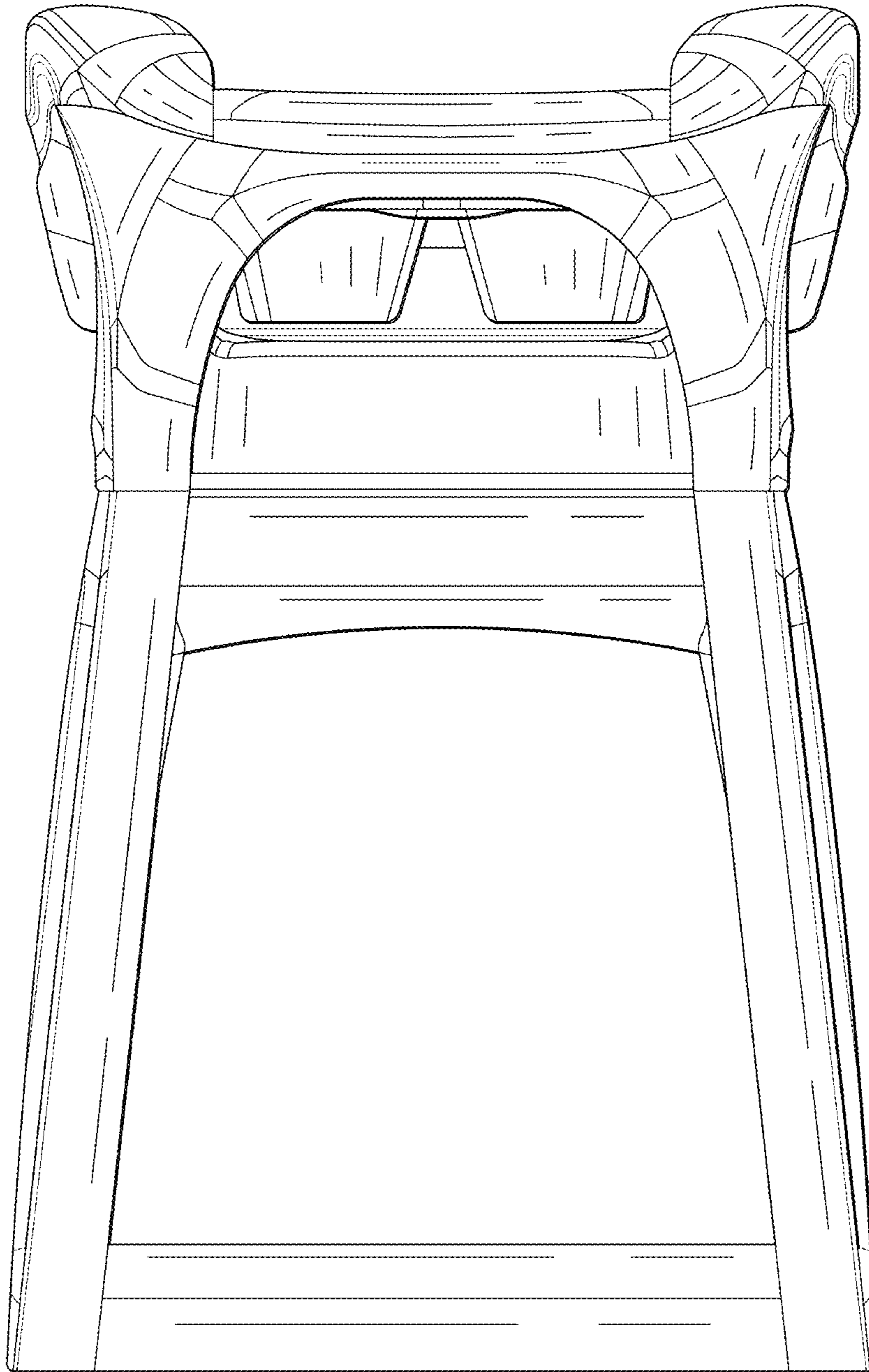


FIG. 3

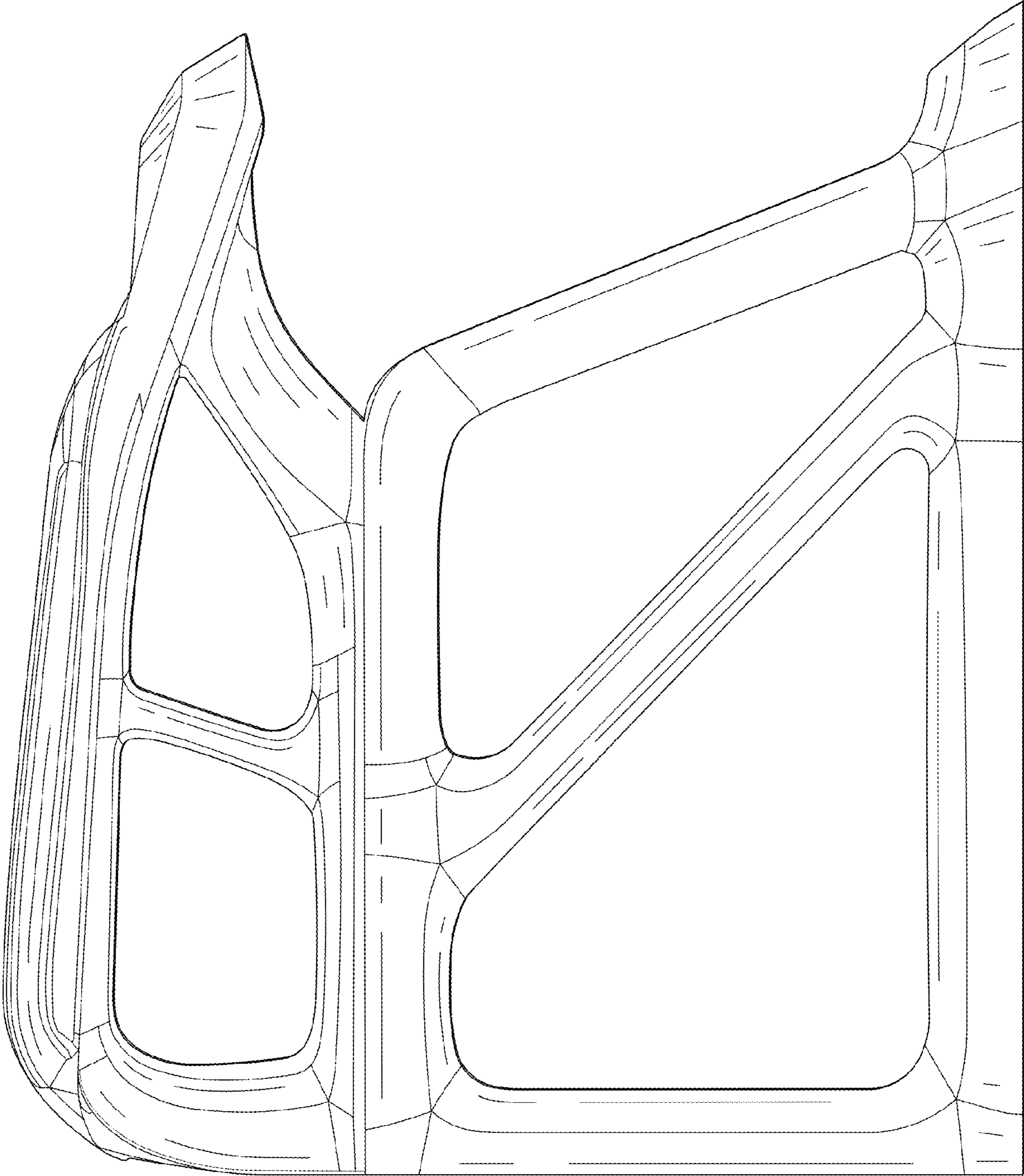


FIG. 4

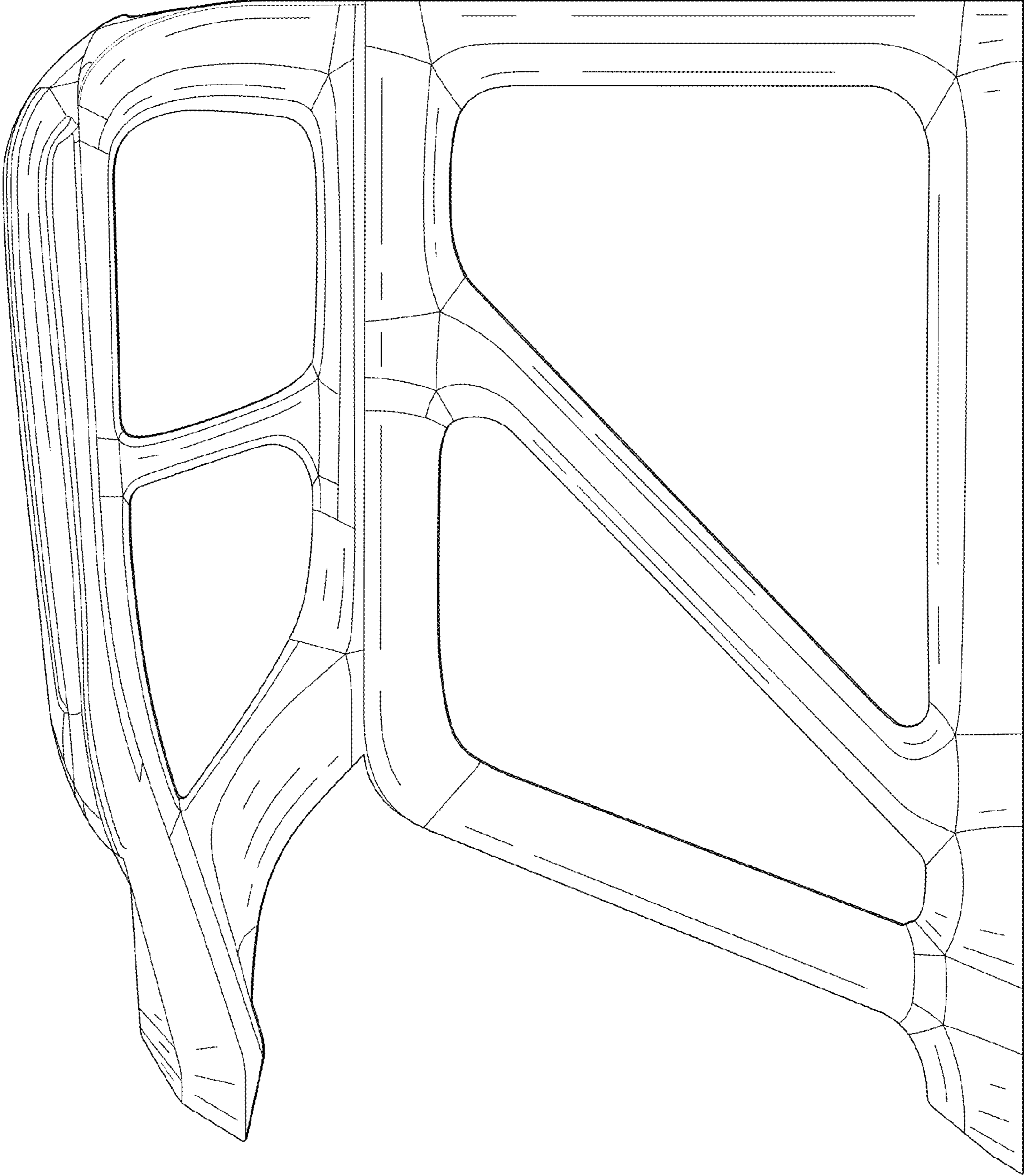


FIG. 5

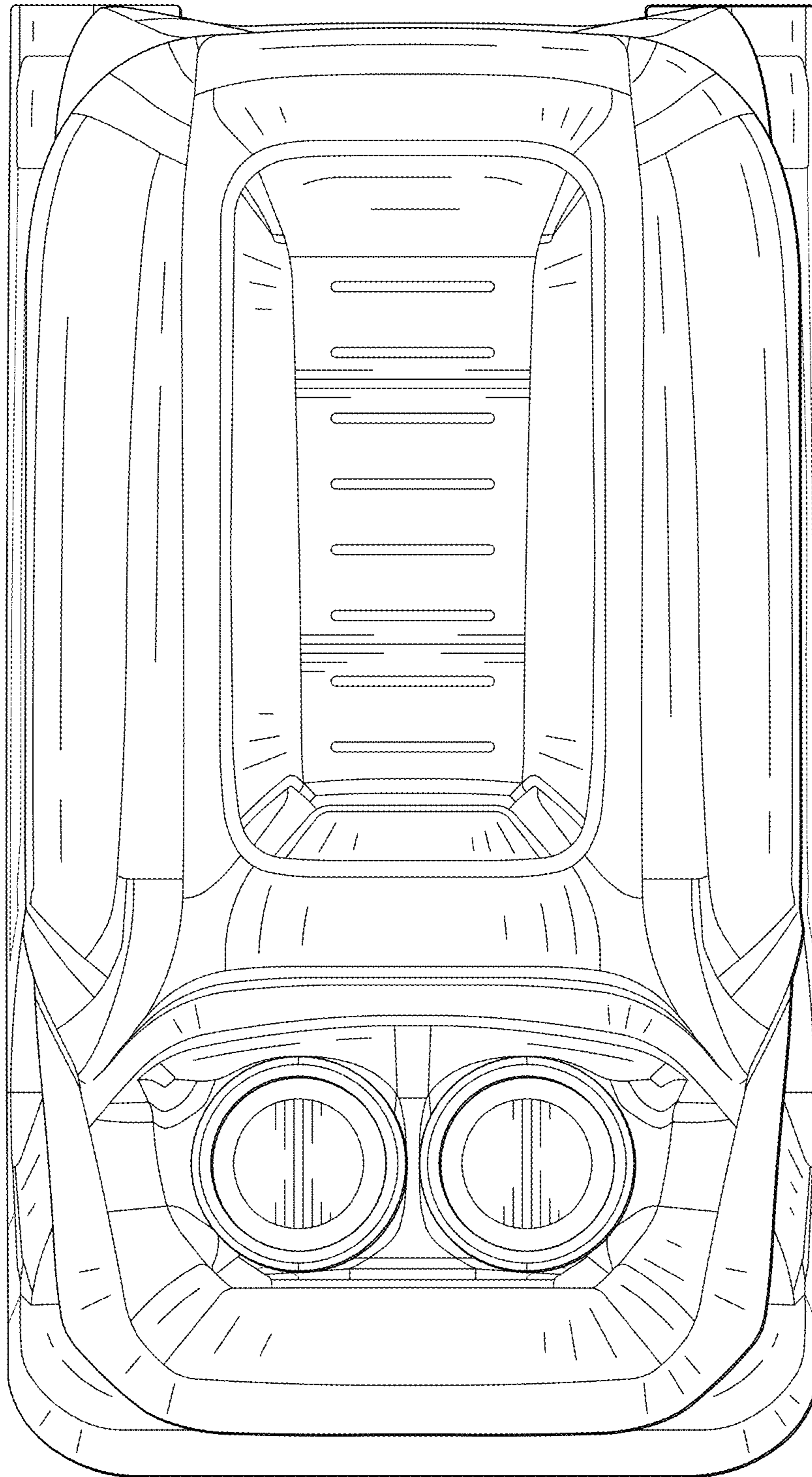


FIG. 6

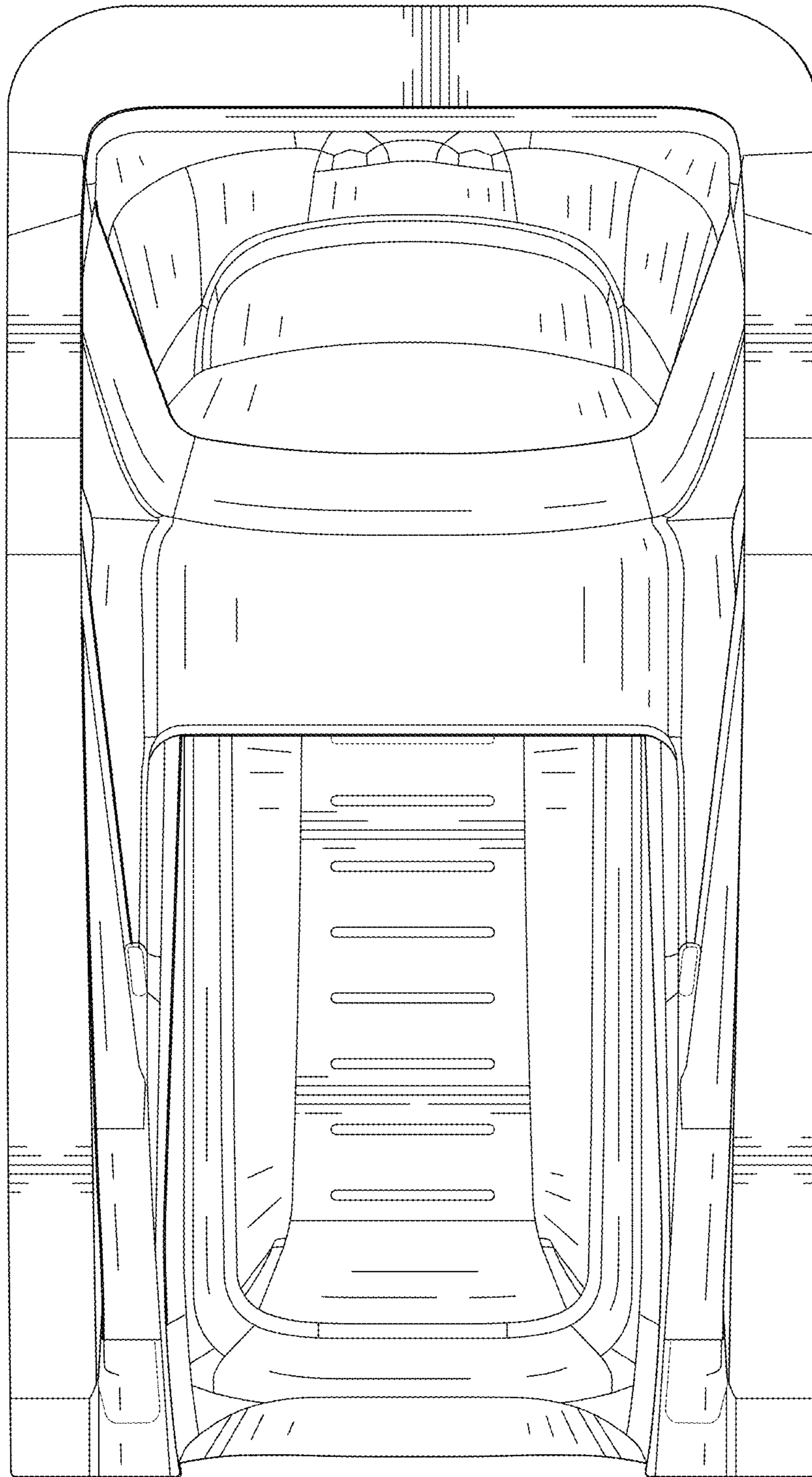


FIG. 7

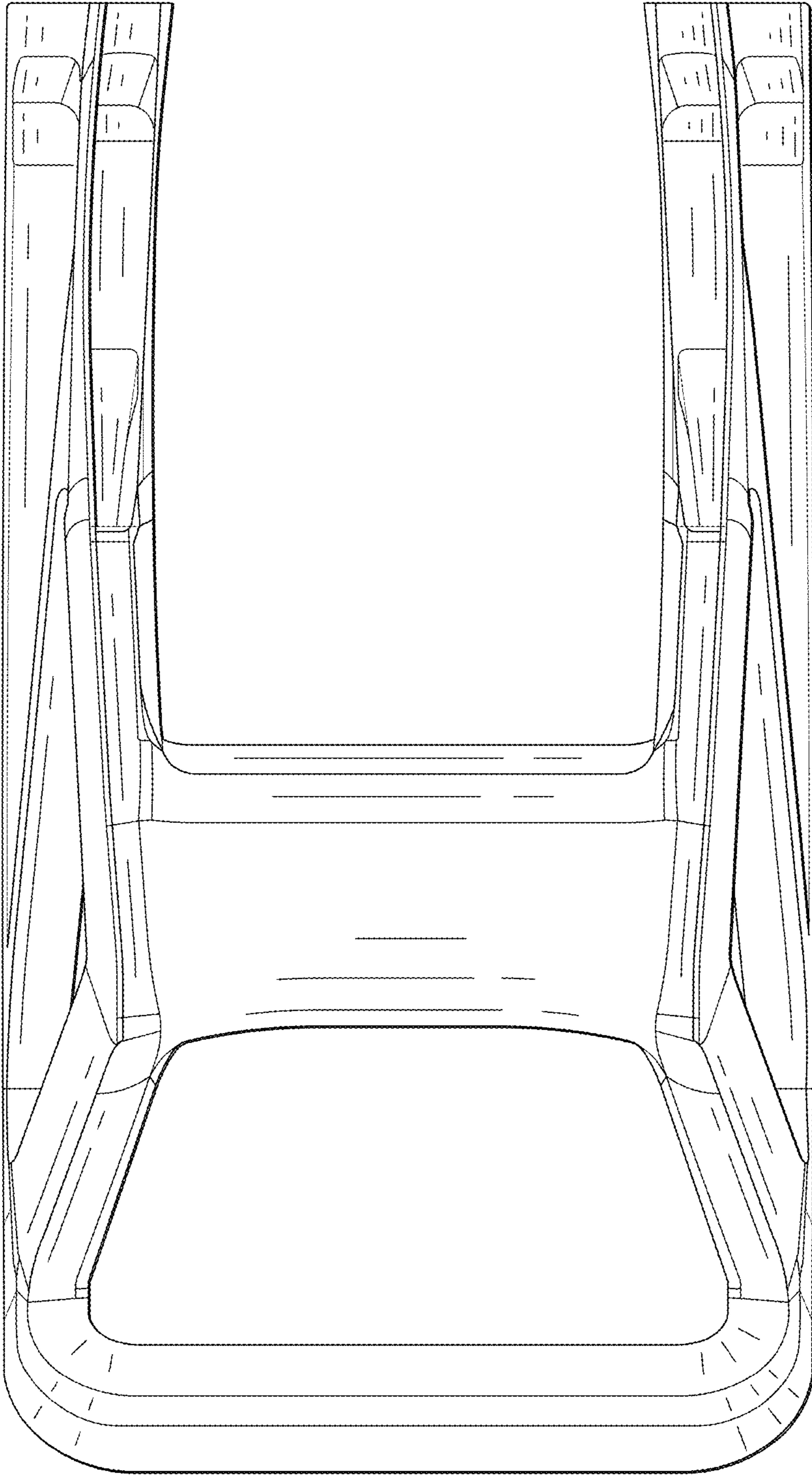


FIG. 8