



US00D890685S

(12) **United States Design Patent** (10) **Patent No.:** **US D890,685 S**
Chen (45) **Date of Patent:** **** Jul. 21, 2020**

(54) **HITCH CARGO CARRIER**
(71) Applicant: **XIAMEN EASEPAL ENTERPRISES LTD., Xiamen (CN)**
(72) Inventor: **Zhixiong Chen, Xiamen (CN)**
(**) Term: **15 Years**

D841,564 S * 2/2019 Sartin D12/406
D845,872 S * 4/2019 Monroe D12/406
D856,900 S * 8/2019 Baumann D12/406
D865,570 S 11/2019 Sablatura
D877,685 S * 3/2020 Larsson D12/406
D881,790 S * 4/2020 Ni D12/406
D881,791 S * 4/2020 Ni D12/406
D885,303 S * 5/2020 McMath D12/406
2011/0259931 A1 * 10/2011 Rellergert B60R 7/08
224/401

(21) Appl. No.: **29/731,575**
(22) Filed: **Apr. 16, 2020**
(51) **LOC (12) Cl.** **12-16**
(52) **U.S. Cl.**
USPC **D12/406**
(58) **Field of Classification Search**
USPC D12/401-414; D6/610-611
CPC B60R 9/00; B60R 9/02; B60R 9/04; B60R
9/08; B60R 9/042; B60R 9/0423; B60R
9/0426; B60R 9/045; B60R 9/048; B60R
9/0485; B60R 9/05; B60R 9/052; B60R
9/055; B60R 9/058; B60R 9/06; B60R
9/065; B60R 9/10; B60R 9/12
See application file for complete search history.

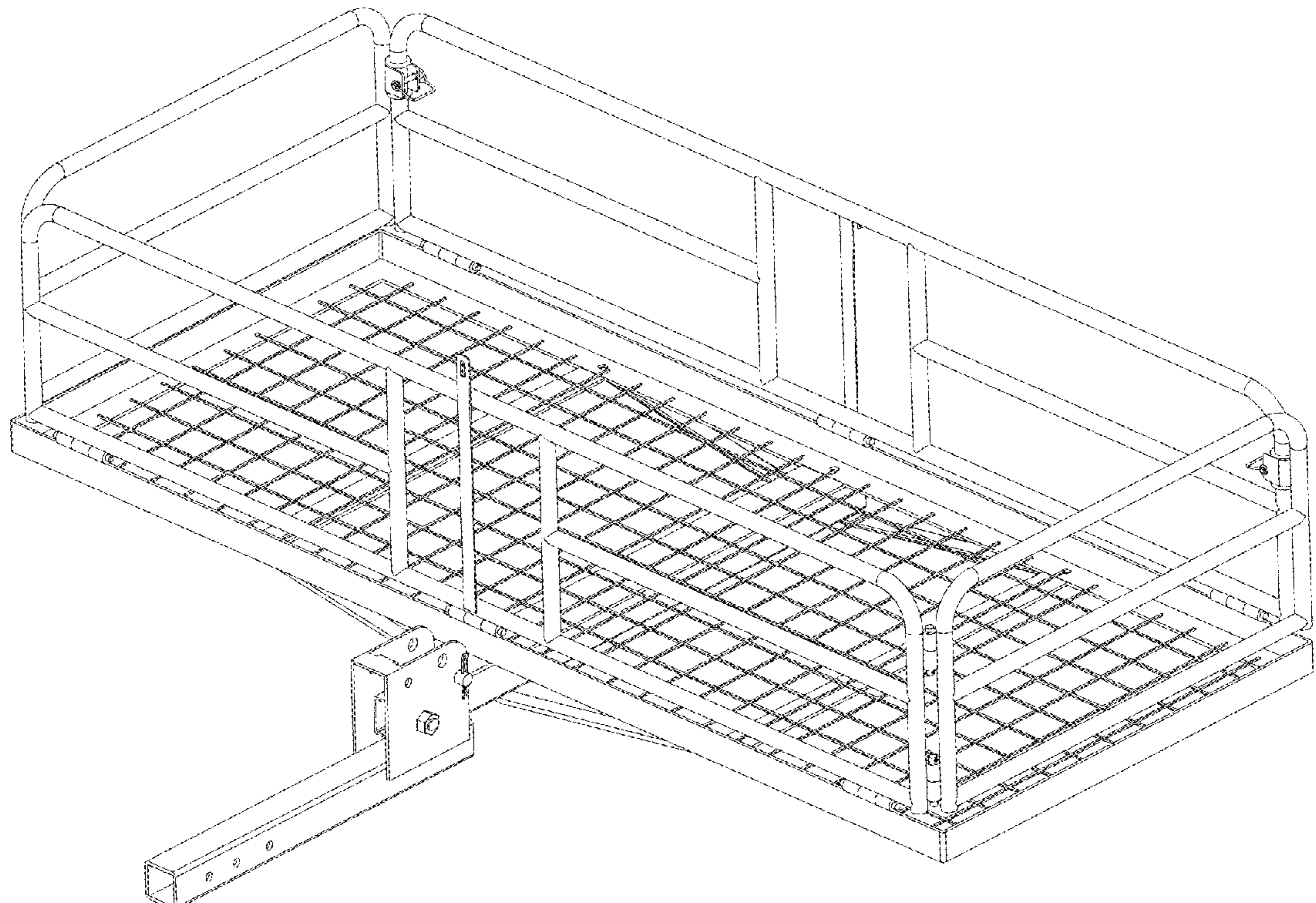
* cited by examiner
Primary Examiner — Katrina A Betton
(74) *Attorney, Agent, or Firm* — KA Filing LLC; Wayne V. Harper; Cynthia Flanigan

(56) **References Cited**
U.S. PATENT DOCUMENTS
D435,495 S 12/2000 McCoy et al.
D445,757 S 7/2001 Adams et al.
D477,562 S 7/2003 McCoy et al.
D510,063 S 9/2005 Moser
D754,055 S * 4/2016 Harrison D12/406
D817,852 S * 5/2018 Mifsud D12/406

(57) **CLAIM**
I claim the ornamental design for a hitch cargo carrier, as shown and described.

DESCRIPTION
FIG. 1 is a Perspective view of a hitch cargo carrier showing my new design;
FIG. 2 is a TOP view thereof;
FIG. 3 is a BOTTOM view thereof;
FIG. 4 is a Left-side view thereof;
FIG. 5 is a right-side view thereof;
FIG. 6 is a FRONT view thereof; and,
FIG. 7 is a BOTTOM view thereof.
FIG. 8 is the enhanced view of a corner of the hitch cargo carrier from inside; and,
FIG. 9 is the enhanced view of a corner of the hitch cargo carrier from outside.

1 Claim, 8 Drawing Sheets



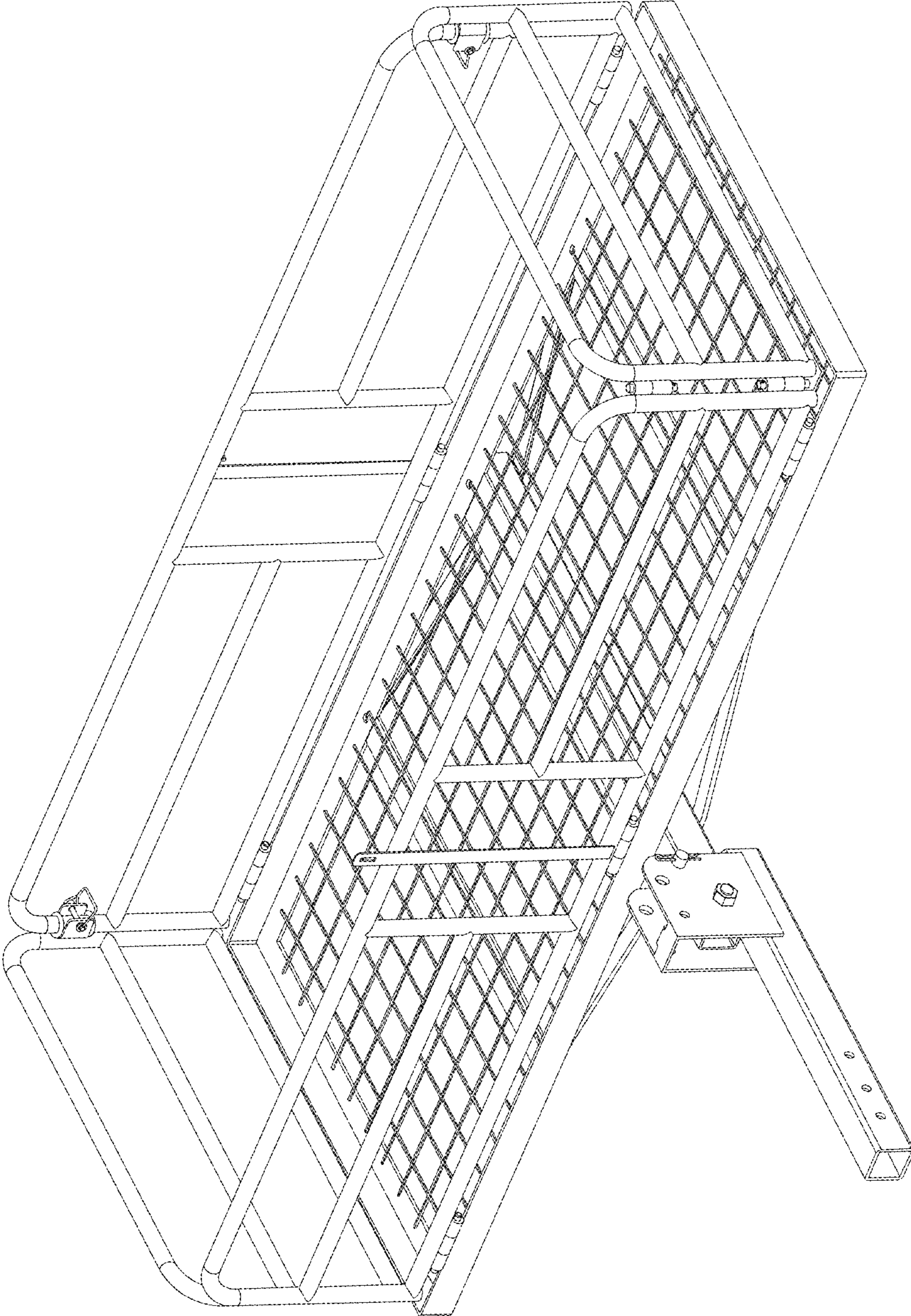


FIG. 1

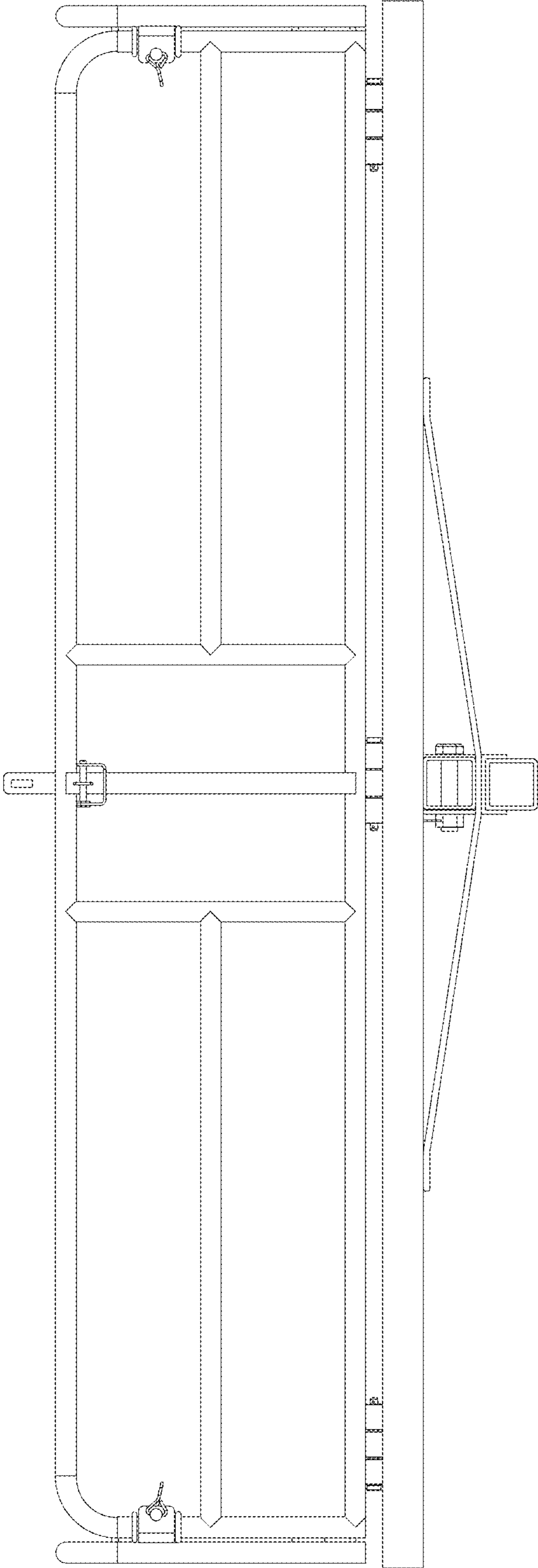


FIG. 2

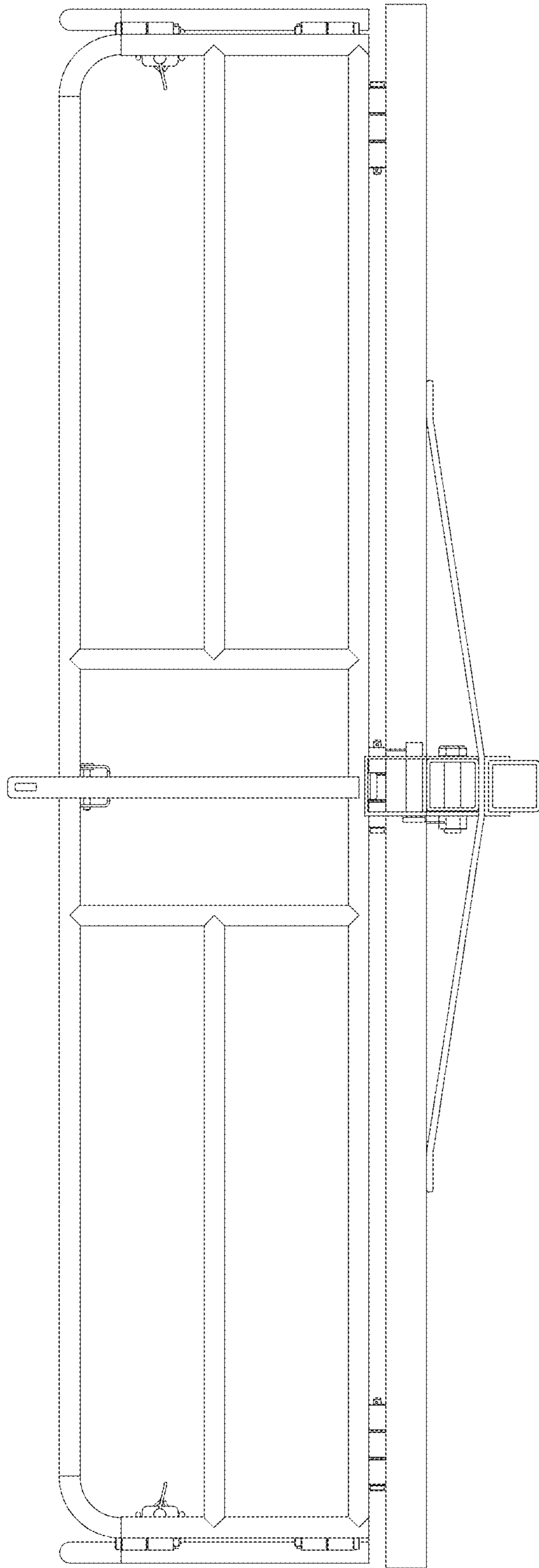


FIG. 3

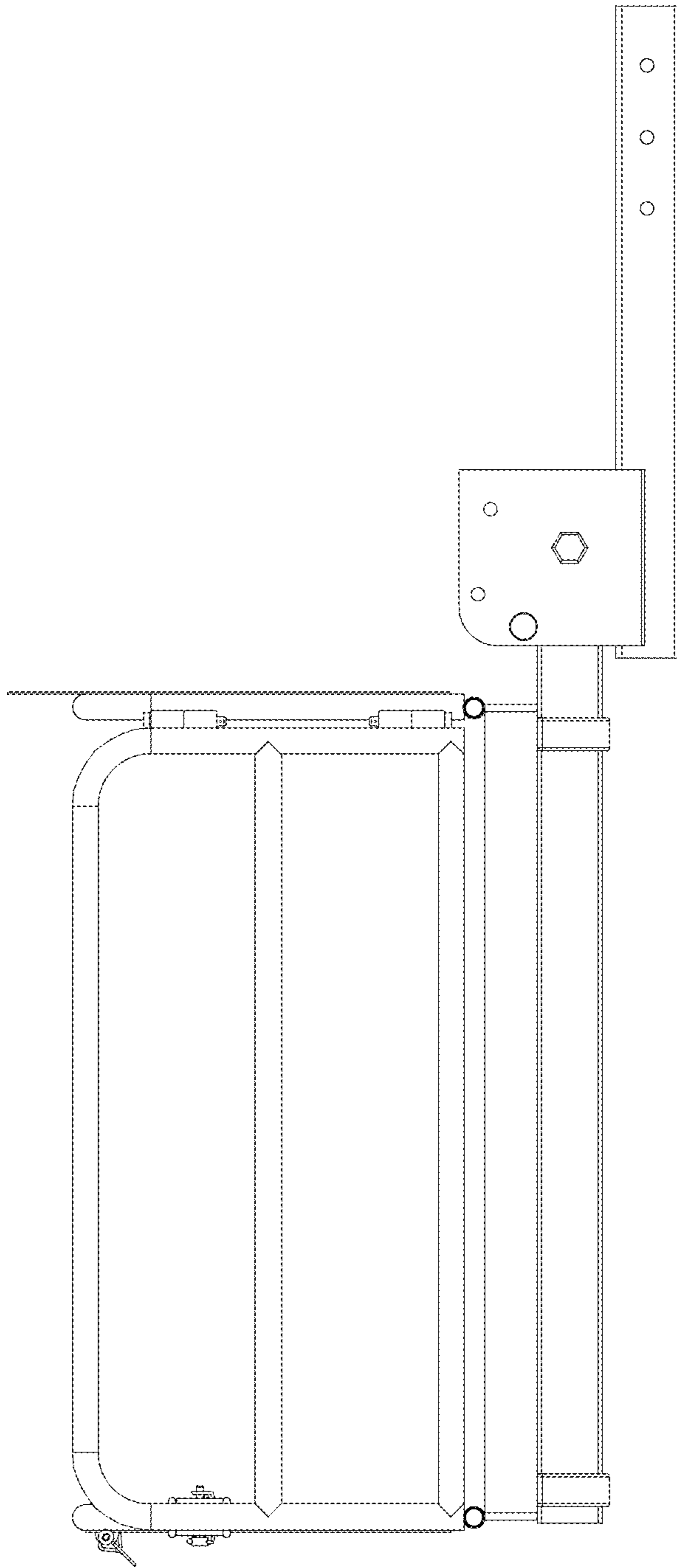


FIG. 4

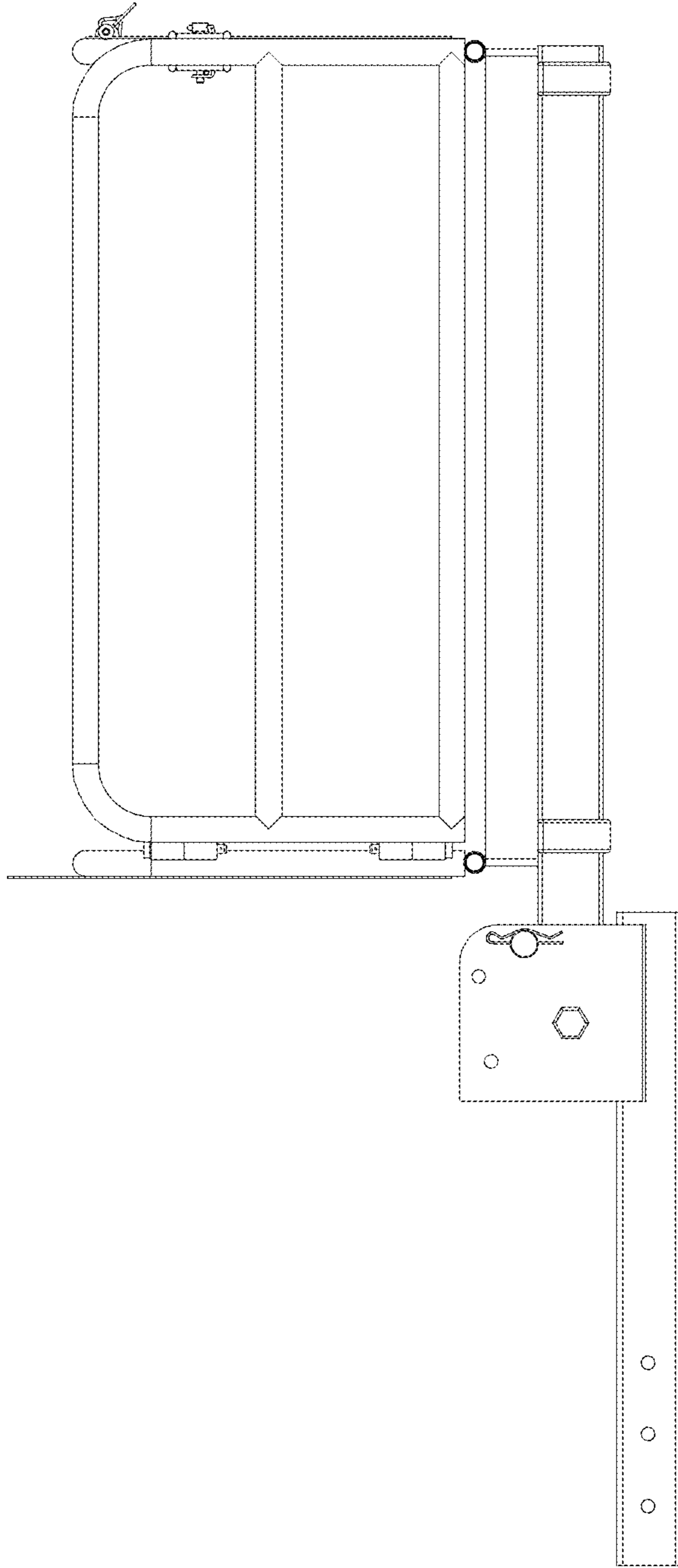


FIG. 5

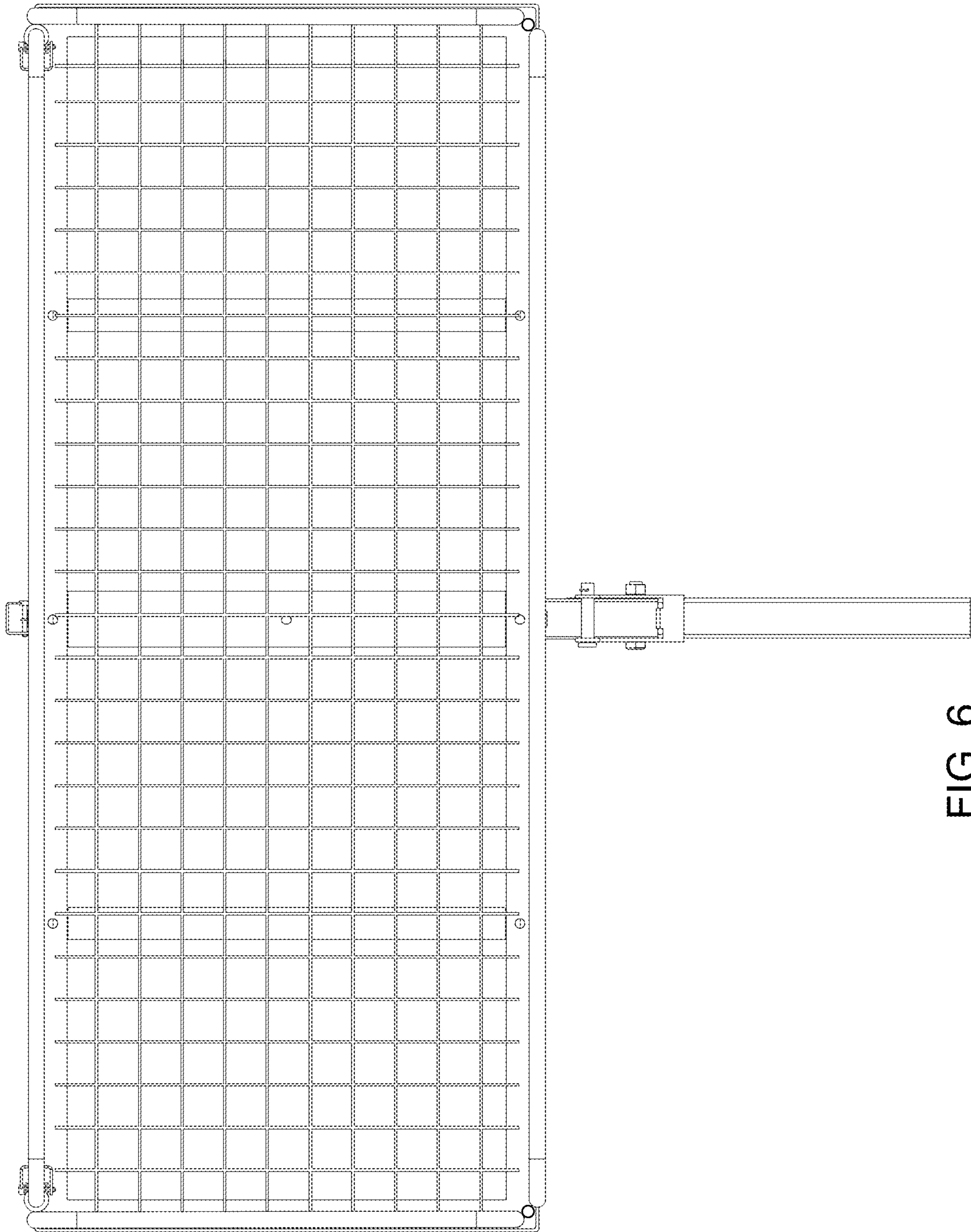


FIG. 6

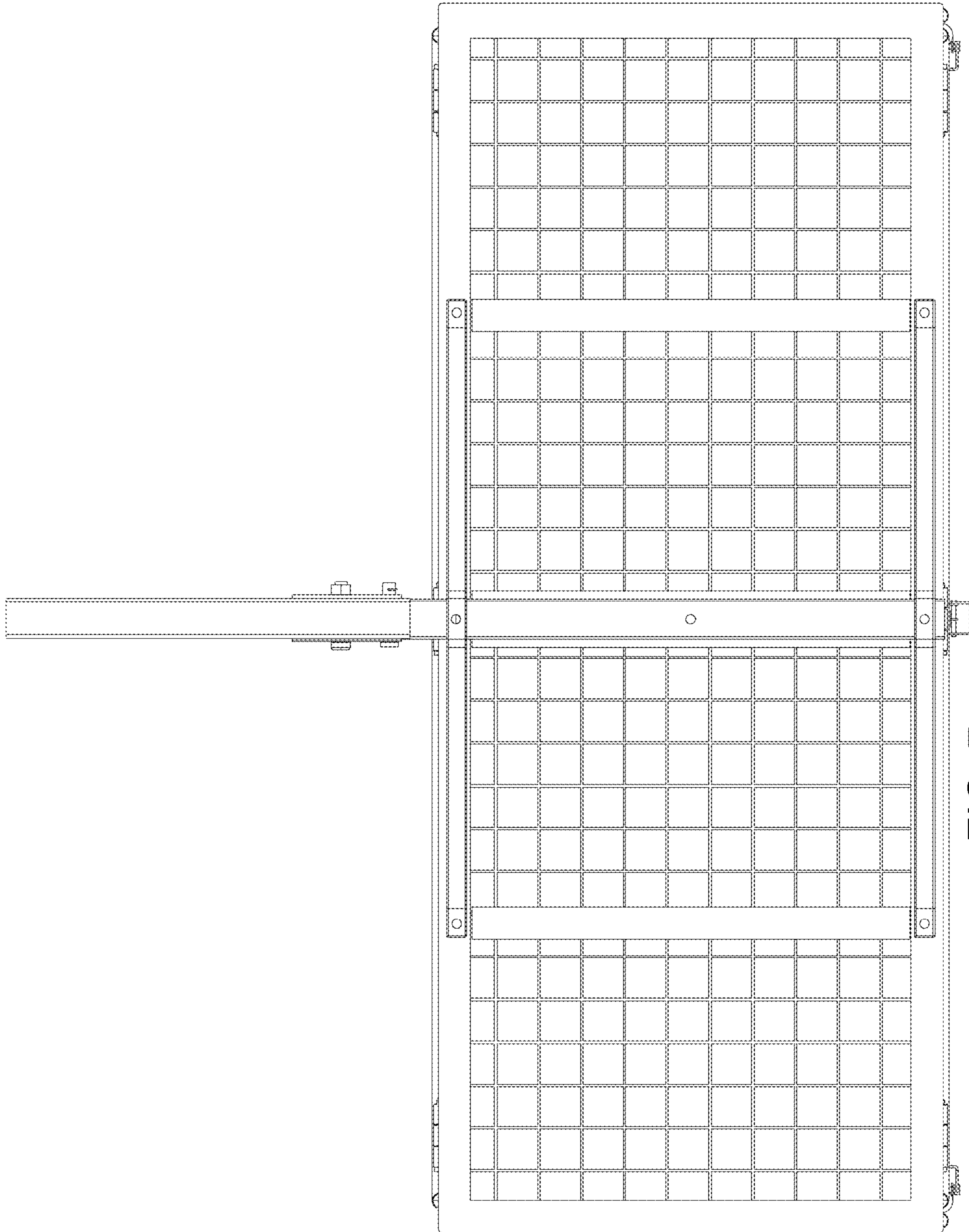


FIG. 7

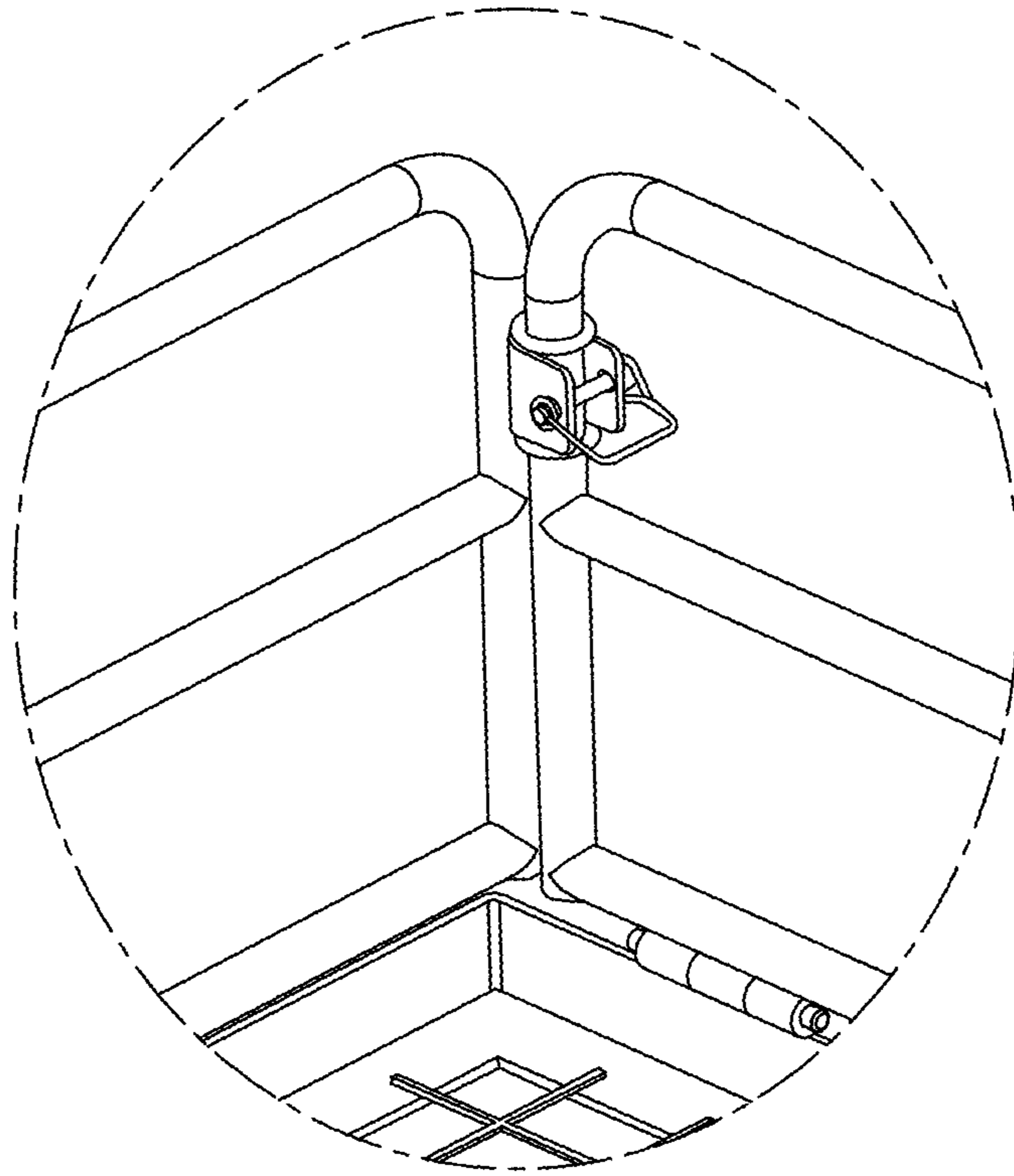


FIG. 8

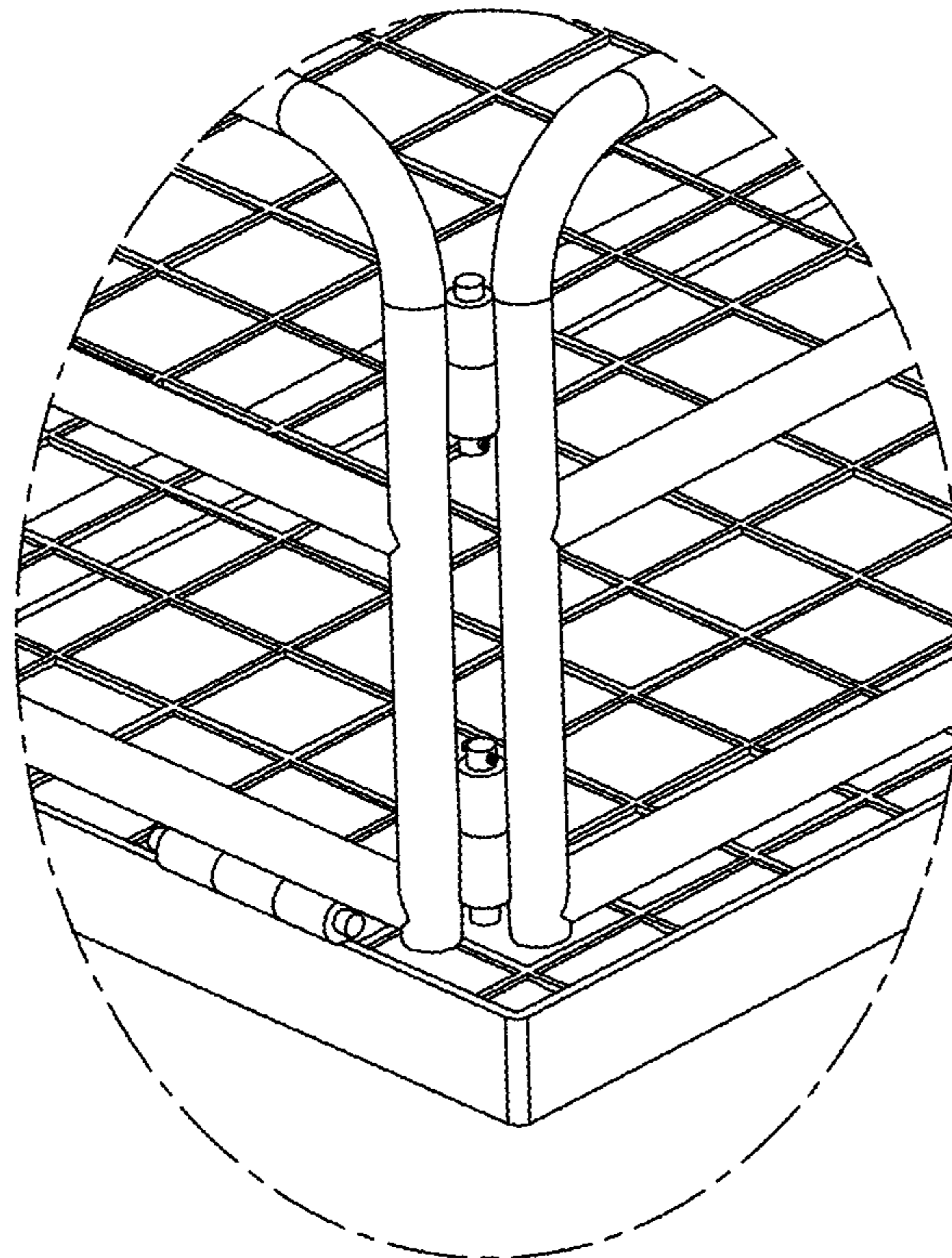


FIG. 9