



US00D890680S

(12) **United States Design Patent**  
**Neathery et al.**

(10) **Patent No.:** **US D890,680 S**  
(45) **Date of Patent:** **\*\* Jul. 21, 2020**

(54) **LEVER HEAD**

(71) Applicant: **CATERPILLAR INC.**, Deerfield, IL (US)

(72) Inventors: **Brian Philip Neathery**, Hockley, TX (US); **Adnan Kadribasic**, Hono (SE)

(73) Assignee: **Caterpillar Inc.**, Peoria, IL (US)

(\*\*) Term: **15 Years**

(21) Appl. No.: **29/677,147**

(22) Filed: **Jan. 17, 2019**

(51) **LOC (12) Cl.** ..... **12-06**

(52) **U.S. Cl.**  
USPC ..... **D12/317**

(58) **Field of Classification Search**  
USPC ..... D12/174, 178–180, 300, 301, 303–315, D12/317, 318; D10/49; D13/134, 162, D13/164, 168, 169, 173; D15/199  
CPC ..... B60W 10/06; B63H 21/21; B63H 21/213; B63H 21/22; B63H 21/265  
See application file for complete search history.

(56) **References Cited**

**U.S. PATENT DOCUMENTS**

3,600,978	A *	8/1971	Turner	.....	B63H 21/213
					477/113
D281,409	S *	11/1985	Cambria	.....	D12/179
5,041,035	A *	8/1991	Glen	.....	B63H 21/213
					440/87
D502,148	S *	2/2005	Iekura	.....	D13/168
7,267,068	B2	9/2007	Bradley et al.		
D554,080	S *	10/2007	Iekura	.....	D13/168
D554,596	S *	11/2007	Iekura	.....	D13/168
7,452,254	B2 *	11/2008	Watanabe	.....	B63H 21/213
					440/84
8,060,265	B2	11/2011	Hallenstvedt et al.		
8,234,024	B2	7/2012	Nose et al.		
8,428,801	B1	4/2013	Nose et al.		
9,067,664	B2	6/2015	Yuet et al.		

9,545,987	B1	1/2017	Przybyl et al.		
D810,167	S *	2/2018	Yang	.....	D15/199
D818,020	S *	5/2018	McGinn	.....	D15/199

(Continued)

**OTHER PUBLICATIONS**

Caterpillar Three60 Precision Control, www.jimmyrogersyachtbroker.com [online], published on Oct. 5, 2014, [retrieved on Mar. 10, 2020]. Retrieved from the Internet: <URL: https://www.jimmyrogersyachtbroker.com/caterpillar-three60-precision-control-making-maneuvering-a-breeze/> (Year: 2014).\*

(Continued)

*Primary Examiner* — Karen E Kearney

*Assistant Examiner* — Adam C Mager

(74) *Attorney, Agent, or Firm* — Finnegan, Henderson, Farabow, Garrett & Dunner, LLP

(57) **CLAIM**

The ornamental design for a lever head, as shown and described.

**DESCRIPTION**

FIG. 1 is a front, top, left perspective view of a lever head showing the new design;

FIG. 2 is a rear, bottom, left perspective view thereof;

FIG. 3 is a left-side elevation view thereof;

FIG. 4 is a right-side elevation view thereof;

FIG. 5 is a bottom plan view thereof;

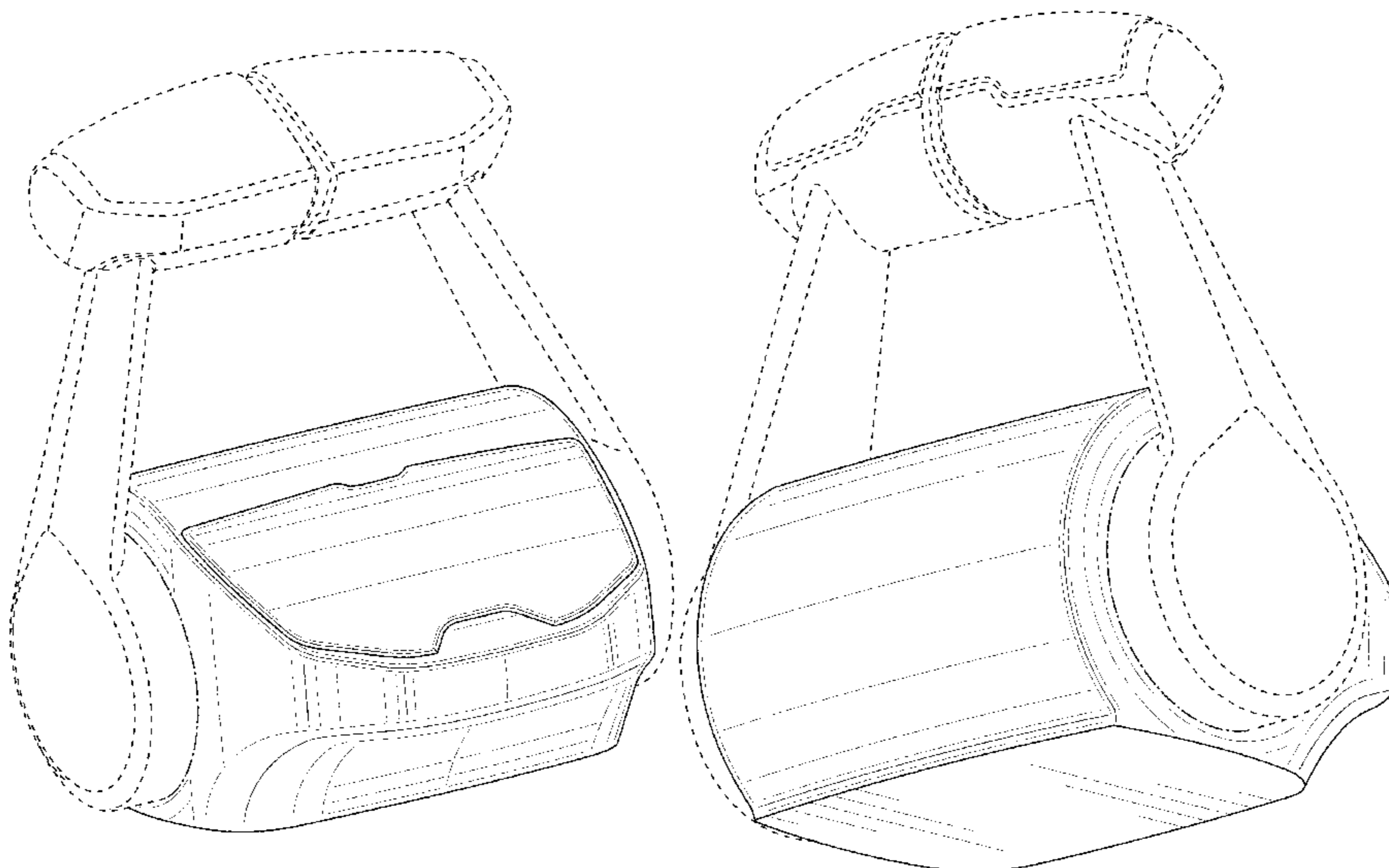
FIG. 6 is top plan view thereof;

FIG. 7 is a front elevation view thereof; and,

FIG. 8 is a rear elevation view thereof.

The broken lines of uneven length shown in the drawings illustrate the boundary of the claimed design and form no part thereof. The broken lines of even length shown in the drawings illustrate portions of the lever head that form no part of the claimed design.

**1 Claim, 8 Drawing Sheets**



(56)

**References Cited**

U.S. PATENT DOCUMENTS

2009/0197486 A1 8/2009 Szilagyi et al.  
2014/0156124 A1\* 6/2014 Hara ..... B63H 20/16  
701/21

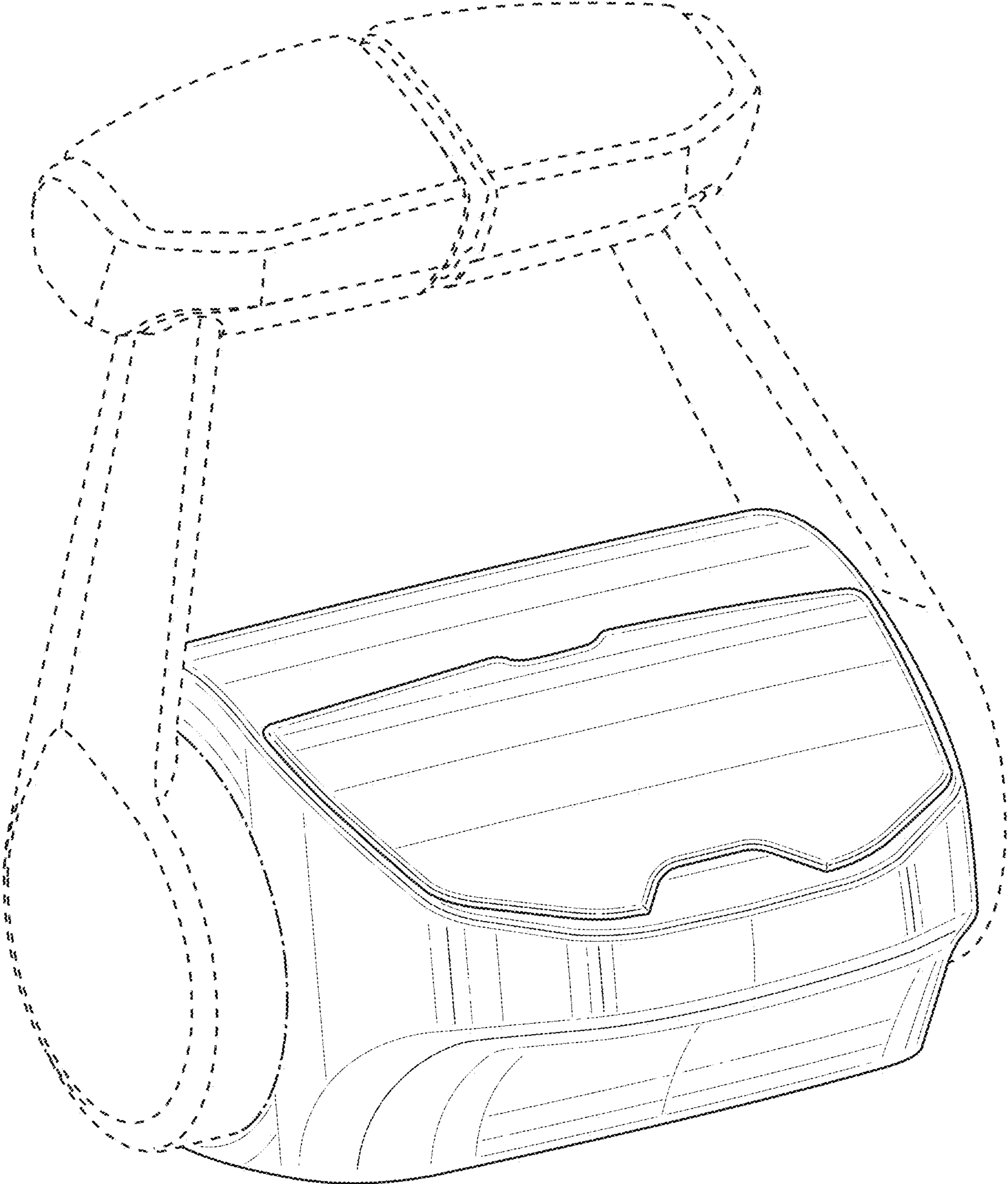
OTHER PUBLICATIONS

Vetus control box for 1 mechanical engine, vetus.com [online].  
published on or before Mar. 9, 2020, [retrieved on Mar. 9, 2020].  
Retrieved from the Internet: <URL: <https://www.vetus.com/en/boat-instruments/engine-remote-controls/caja-de-mando-1-motor-14639.html>> (Year: 2020).\*

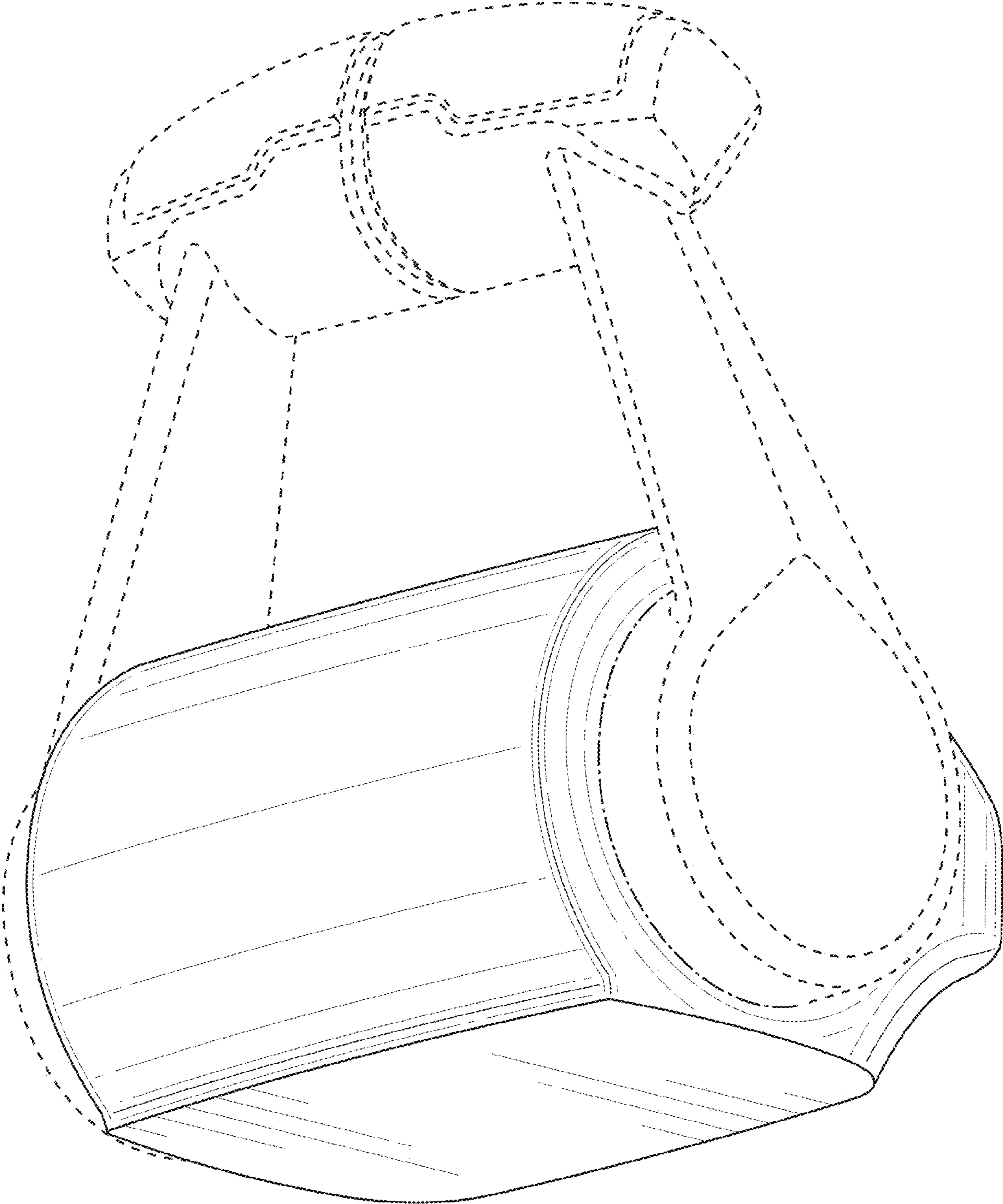
Engine control lever, nauticexpo.com [online]. published on or  
before Dec. 31, 2017, [retrieved on Mar. 9, 2020]. Retrieved from  
the Internet: <URL: <https://www.nauticexpo.com/prod/volvo-penta/product-21503-367998.html>> (Year: 2017).\*

U.S. Appl. No. 16/047,209 of Brian Neathery et al., titled "Marine  
Drive Control of a Marine Vessel in a Configured Operation Mode,"  
filed Jul. 27, 2018.

\* cited by examiner

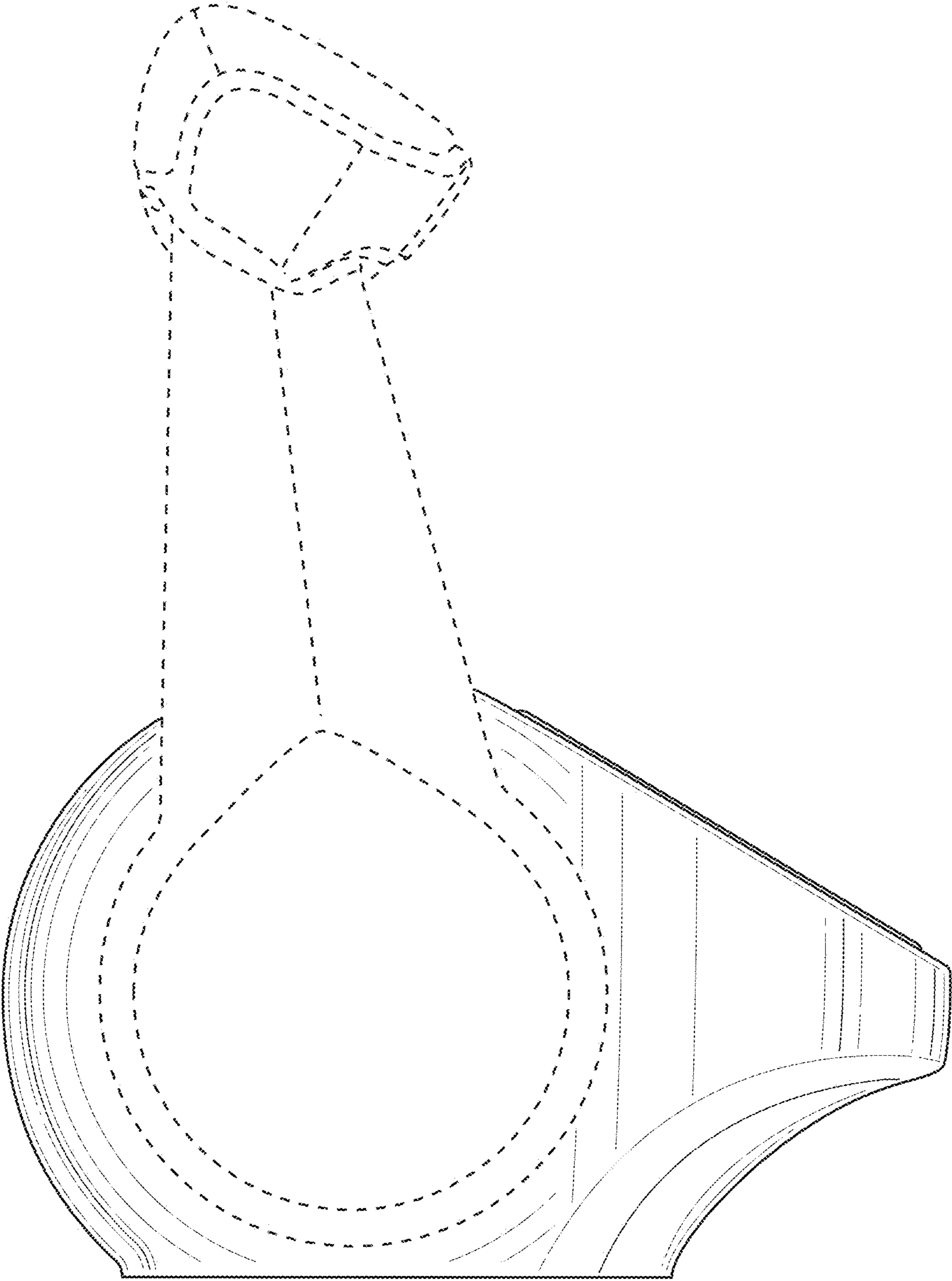


**FIG. 1**

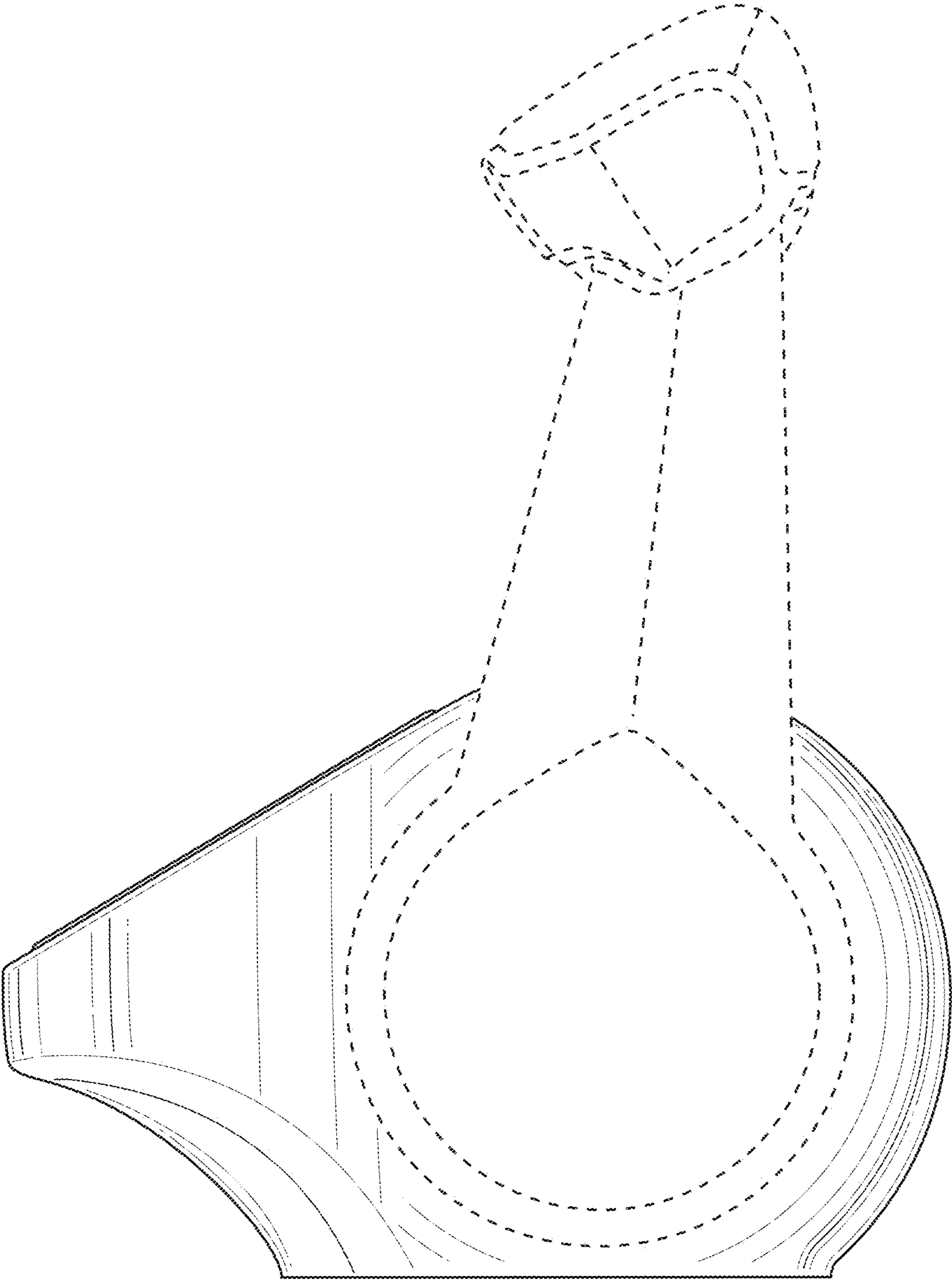


**FIG. 2**

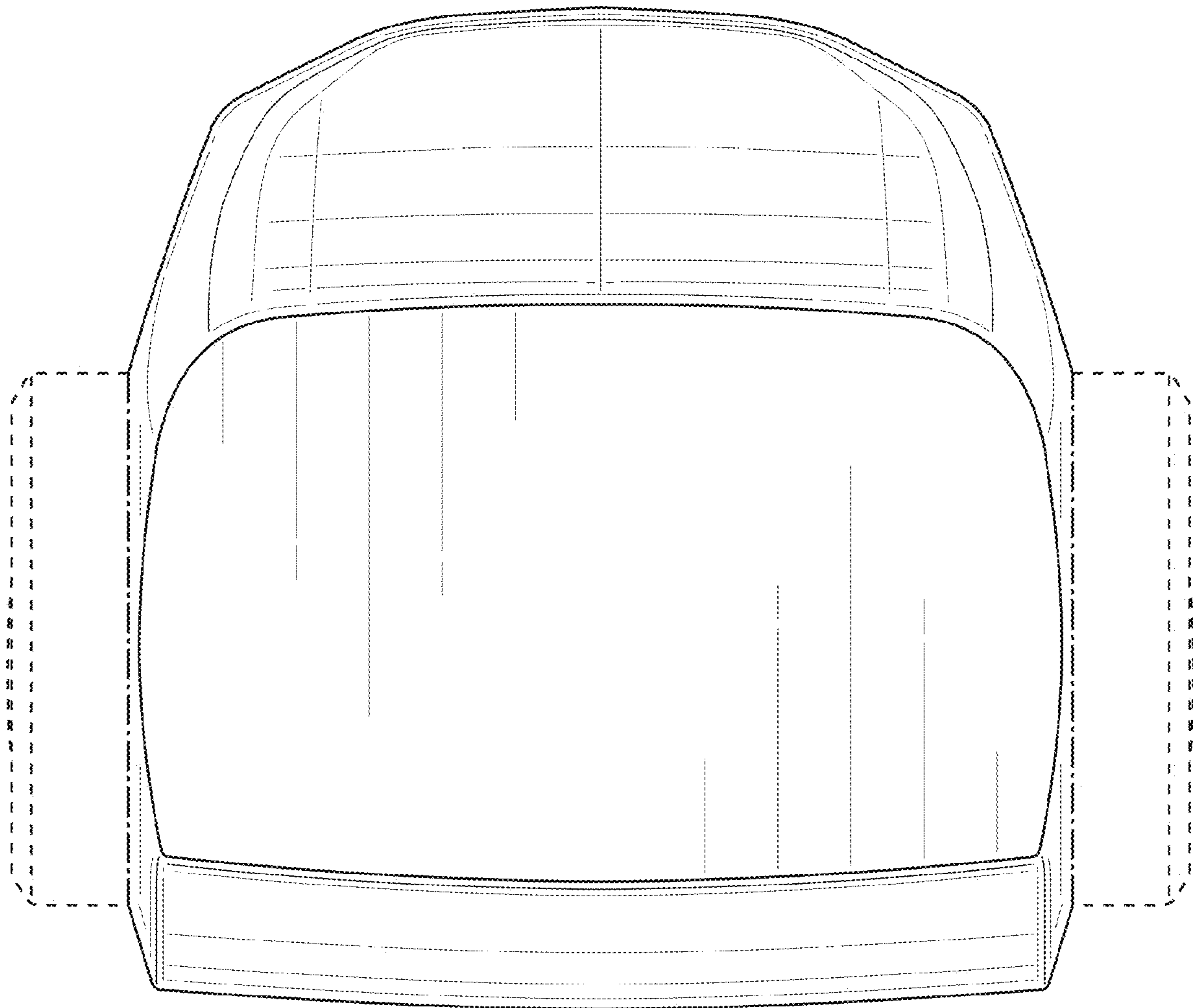




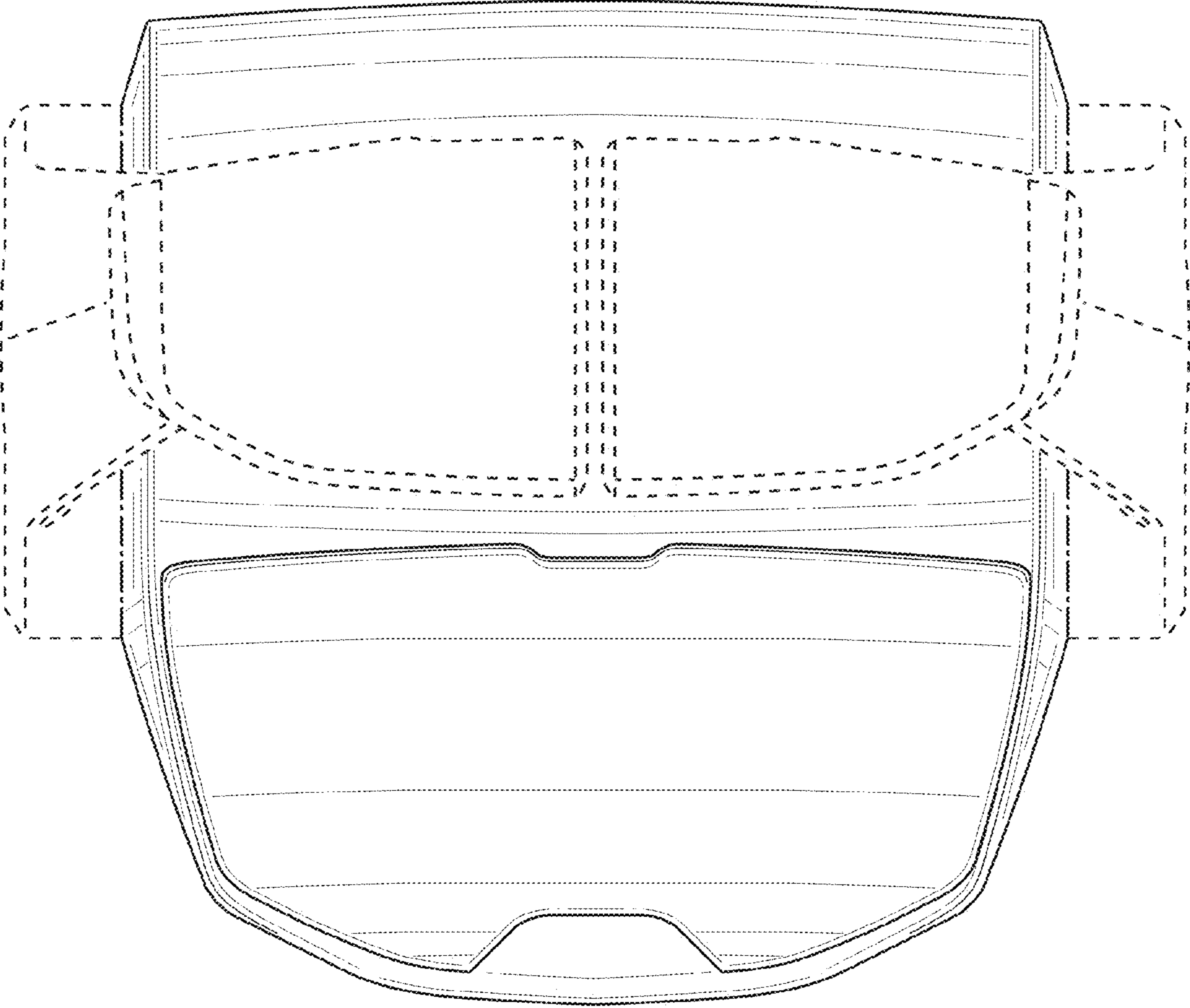
**FIG. 3**



**FIG. 4**

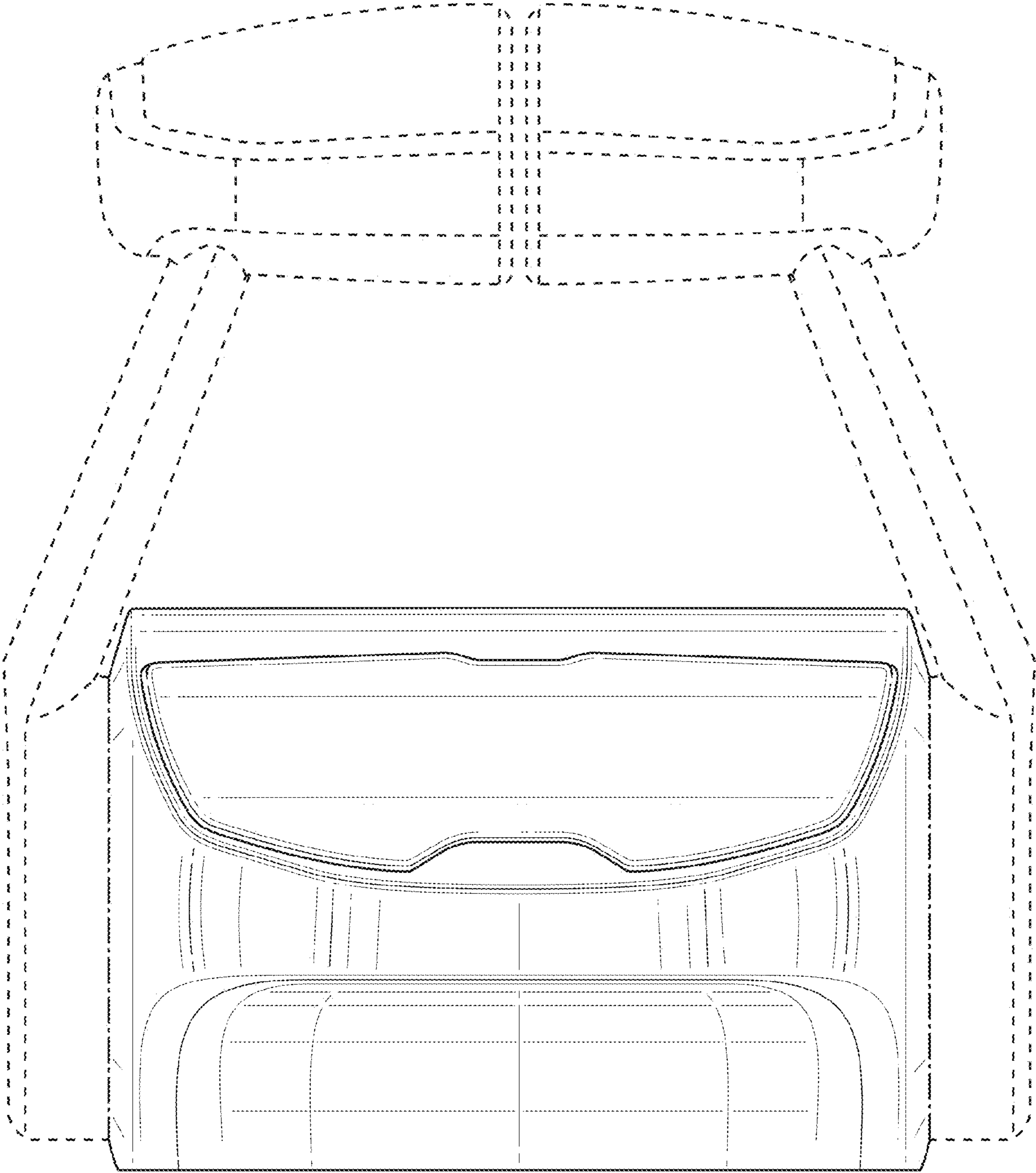


**FIG. 5**

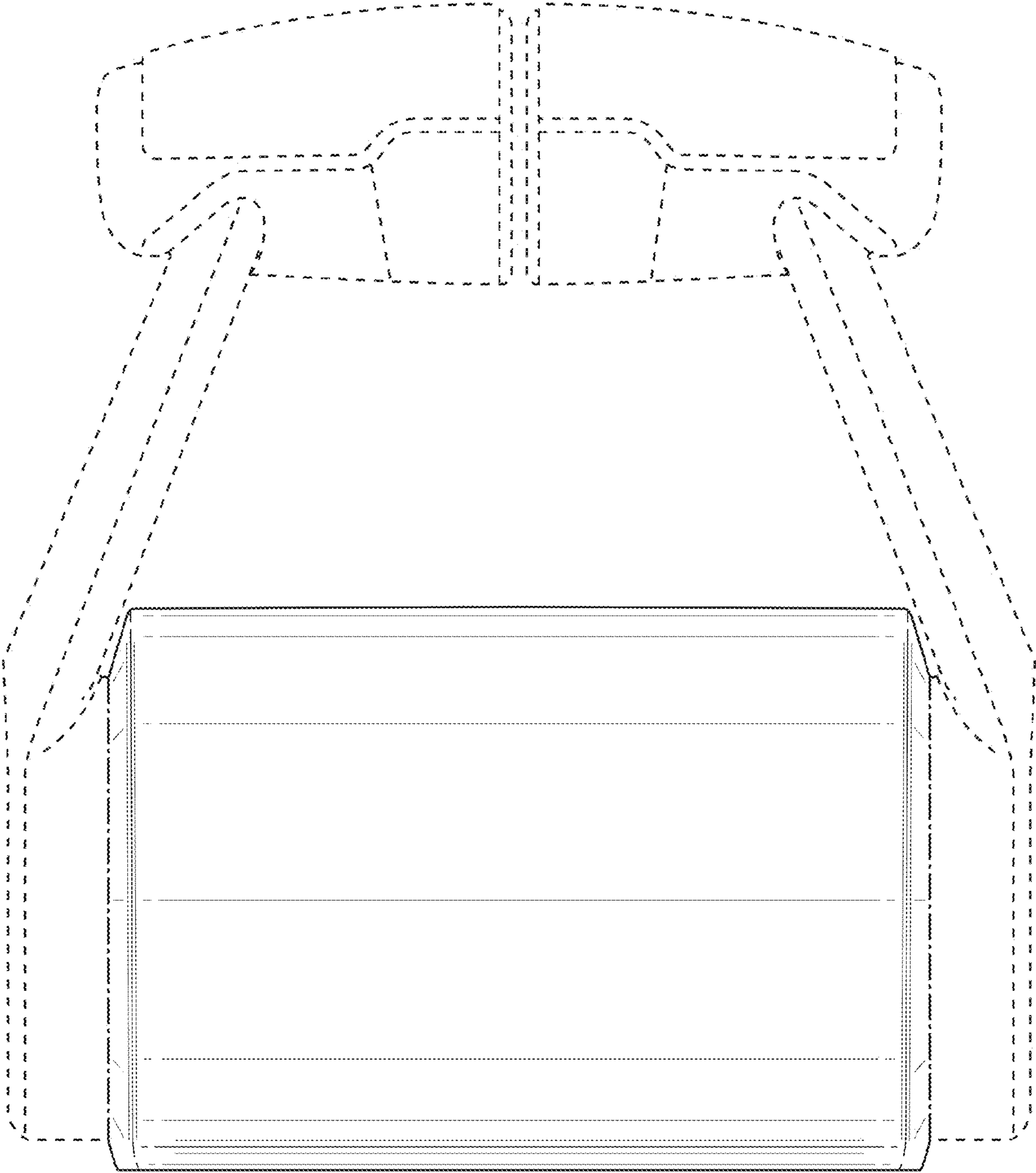


**FIG. 6**





**FIG. 7**



**FIG. 8**