



US00D890679S

(12) **United States Design Patent**  
**Neathery et al.**

(10) **Patent No.:** **US D890,679 S**

(45) **Date of Patent:** **\*\* Jul. 21, 2020**

- (54) **LEVER HEAD HANDLES**
- (71) Applicant: **CATERPILLAR INC.**, Deerfield, IL (US)
- (72) Inventors: **Brian Philip Neathery**, Hockley, TX (US); **Adnan Kadribasic**, Hono (SE)
- (73) Assignee: **Caterpillar Inc.**, Peoria, IL (US)
- (\*\*) Term: **15 Years**
- (21) Appl. No.: **29/677,140**
- (22) Filed: **Jan. 17, 2019**
- (51) **LOC (12) Cl.** ..... **12-06**
- (52) **U.S. Cl.**  
USPC ..... **D12/317**
- (58) **Field of Classification Search**  
USPC ..... D12/174, 178–180, 300, 301, 303–315, D12/317, 318; D10/49; D13/134, 162, D13/164, 168, 169, 173; D15/199  
CPC ..... B60W 10/06; B63H 21/21; B63H 21/213; B63H 21/22; B63H 21/265  
See application file for complete search history.

9,067,664 B2 6/2015 Yuet et al.  
 9,545,987 B1 1/2017 Przybyl et al.  
 D834,492 S \* 11/2018 Uchiyama ..... D12/317  
 (Continued)

**OTHER PUBLICATIONS**

Caterpillar Three60 Precision Control, www.jimmyrogersyachtbroker.com [online], published on Oct. 5, 2014, [retrieved on Mar. 10, 2020]. Retrieved from the Internet: <URL: https://www.jimmyrogersyachtbroker.com/caterpillar-three60-precision-control-making-maneuvering-a-breeze/> (Year: 2014).\*

(Continued)

*Primary Examiner* — Karen E Kearney  
*Assistant Examiner* — Adam C Mager  
 (74) *Attorney, Agent, or Firm* — Finnegan, Henderson, Farabow, Garrett & Dunner LLP

(57) **CLAIM**

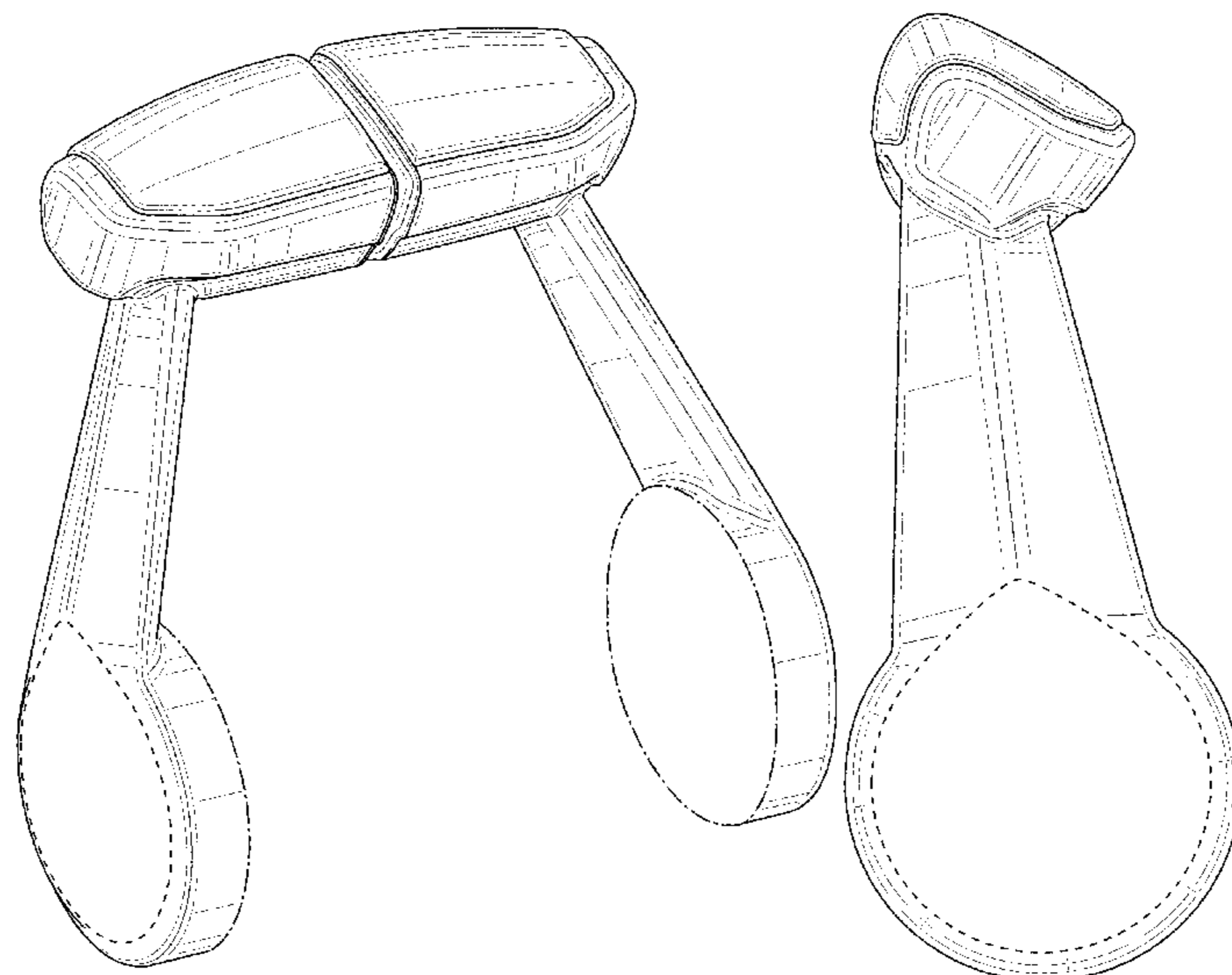
The ornamental design for a lever head handles, as shown and described.

**DESCRIPTION**

FIG. 1 is a front, top, left perspective view of a lever head handles showing the new design;  
 FIG. 2 is a front, top, right perspective view thereof;  
 FIG. 3 is a left-side elevation view thereof;  
 FIG. 4 is a right-side elevation view thereof;  
 FIG. 5 is a bottom plan view thereof;  
 FIG. 6 is top plan view thereof;  
 FIG. 7 is a front elevation view thereof; and,  
 FIG. 8 is a rear elevation view thereof.  
 The broken lines of uneven length shown in the drawings illustrate the boundary of the claimed design and form no part thereof. The broken lines of even length shown in the drawings illustrate portions of the set of leverhead handles that form no part of the claimed design.

**1 Claim, 8 Drawing Sheets**

- (56) **References Cited**
- U.S. PATENT DOCUMENTS
- 5,062,516 A \* 11/1991 Prince ..... B63H 21/213 477/111
  - 6,280,269 B1 \* 8/2001 Gaynor ..... B63B 49/00 440/84
  - D497,347 S \* 10/2004 Iekura ..... D13/168
  - D502,148 S \* 2/2005 Iekura ..... D13/168
  - 7,267,068 B2 9/2007 Bradley et al.
  - D554,080 S \* 10/2007 Iekura ..... D13/168
  - D554,596 S \* 11/2007 Iekura ..... D13/168
  - 7,452,254 B2 \* 11/2008 Watanabe ..... B63H 21/213 440/84
  - 8,060,265 B2 11/2011 Hallenstvedt et al.
  - 8,234,024 B2 7/2012 Nose et al.
  - 8,428,801 B1 4/2013 Nose et al.
  - D710,781 S \* 8/2014 Park ..... D12/317



(56)

**References Cited**

U.S. PATENT DOCUMENTS

10,252,785 B2\* 4/2019 Ozaki ..... B63H 21/213  
2009/0197486 A1 8/2009 Szilagyi et al.  
2014/0156124 A1\* 6/2014 Hara ..... B63H 20/16  
701/21

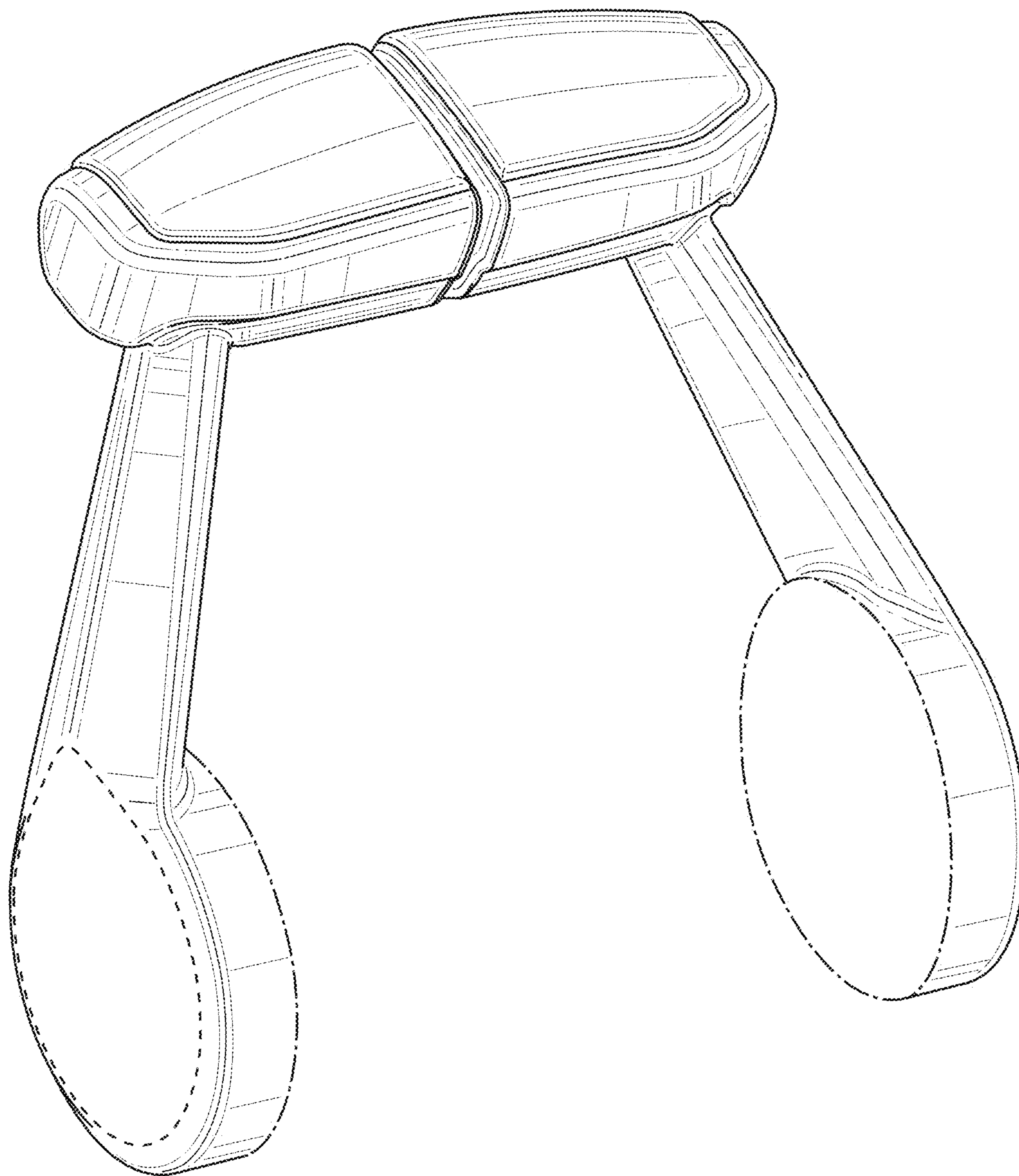
OTHER PUBLICATIONS

Vetus control box for 1 mechanical engine, vetus.com [online].  
published on or before Mar. 9, 2020, [retrieved on Mar. 9, 2020].  
Retrieved from the Internet: <URL: <https://www.vetus.com/en/boat-instruments/engine-remote-controls/caja-de-mando-1-motor-14639.html>> (Year: 2020).\*

Engine control lever, nauticexpo.com [online]. published on or  
before Dec. 31, 2017, [retrieved on Mar. 9, 2020]. Retrieved from  
the Internet: <URL: <https://www.nauticexpo.com/prod/volvo-penta/product-21503-367998.html>> (Year: 2017).\*

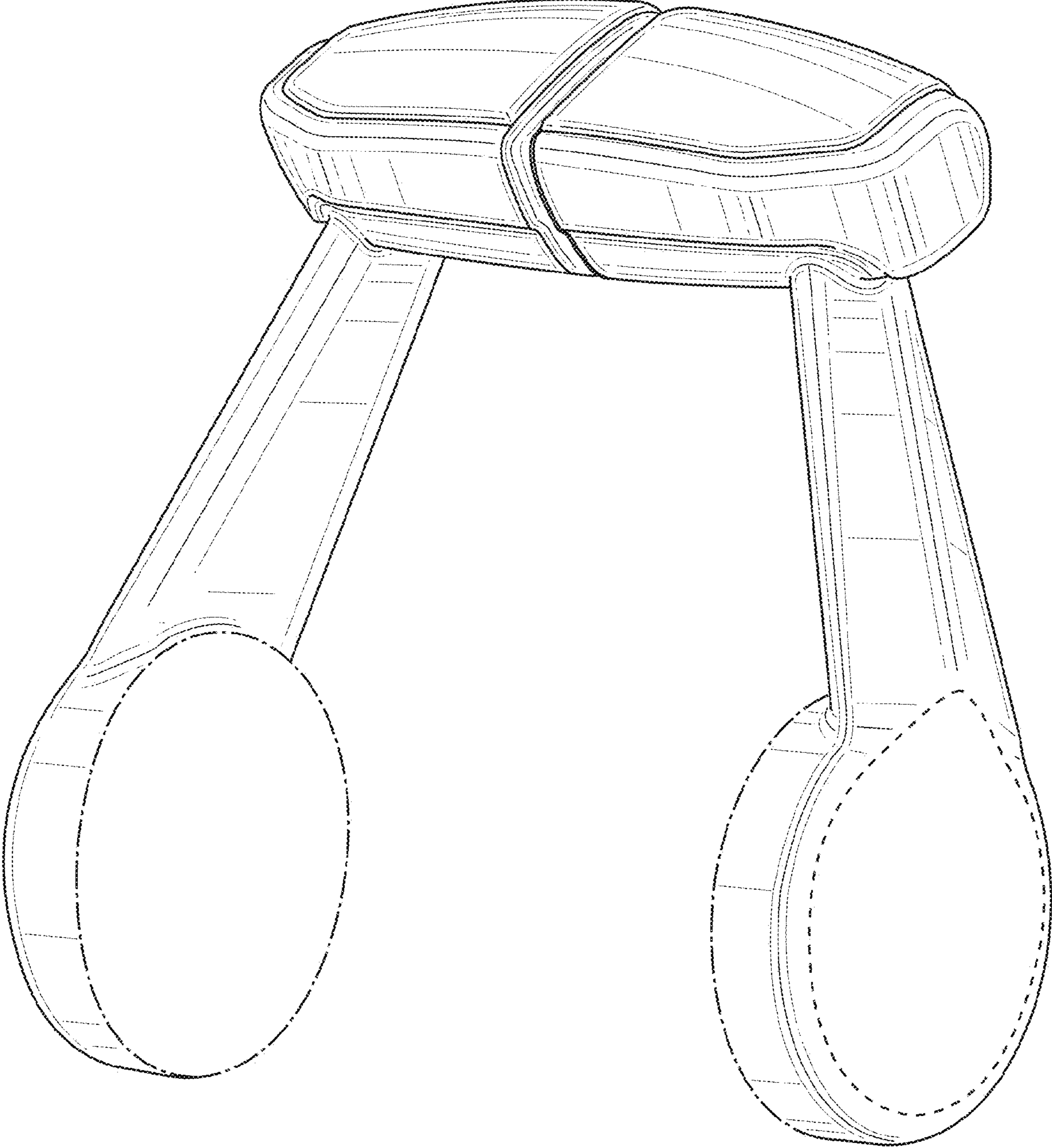
U.S. Appl. No. 16/047,209 of Brian Neathery et al., titled "Marine  
Drive Control of a Marine Vessel in a Configured Operation Mode,"  
filed Jul. 27, 2018.

\* cited by examiner

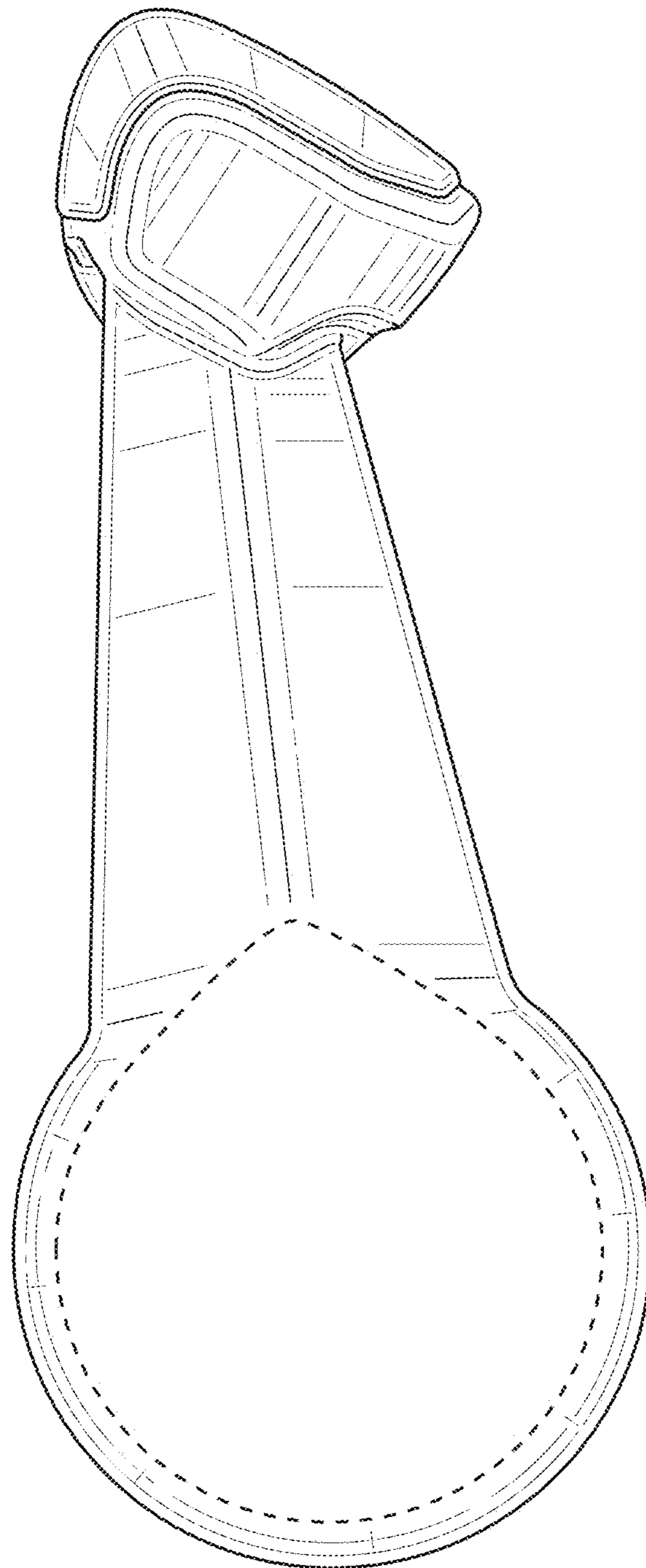


**FIG. 1**

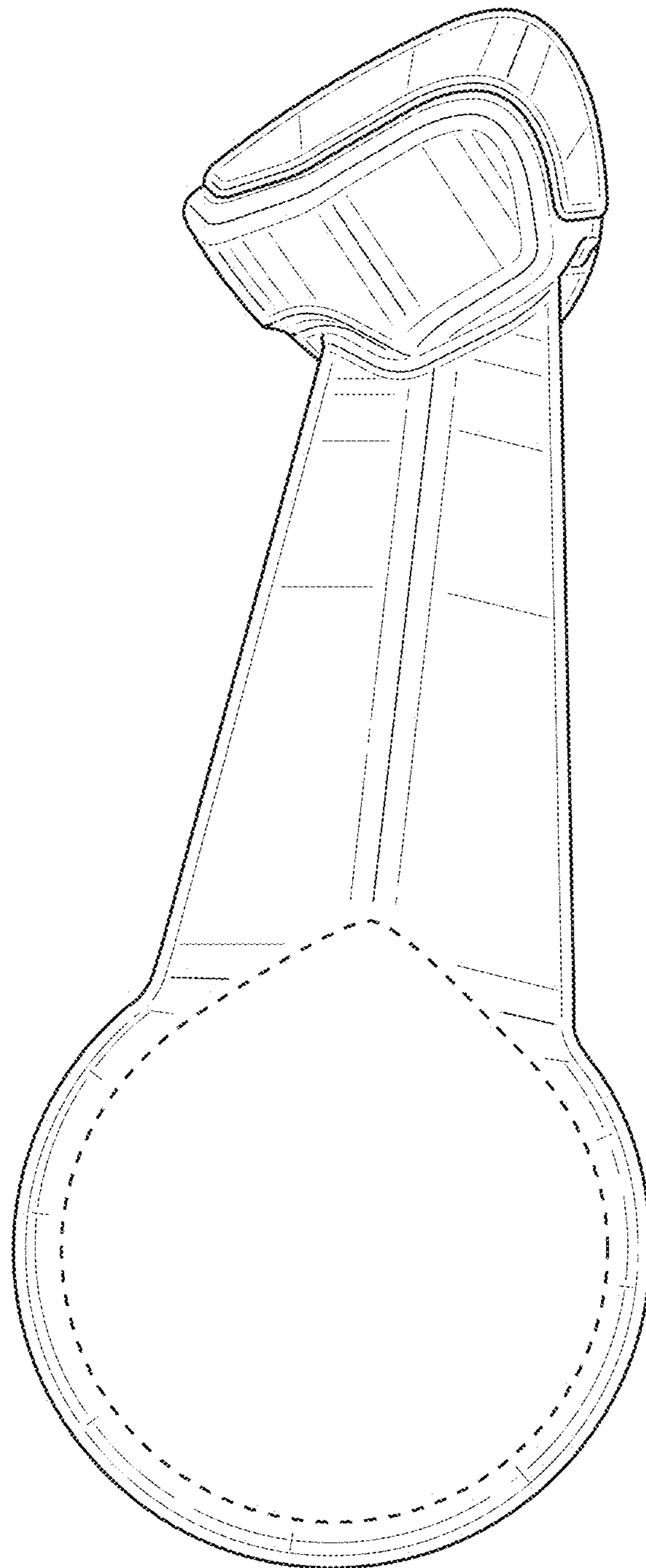




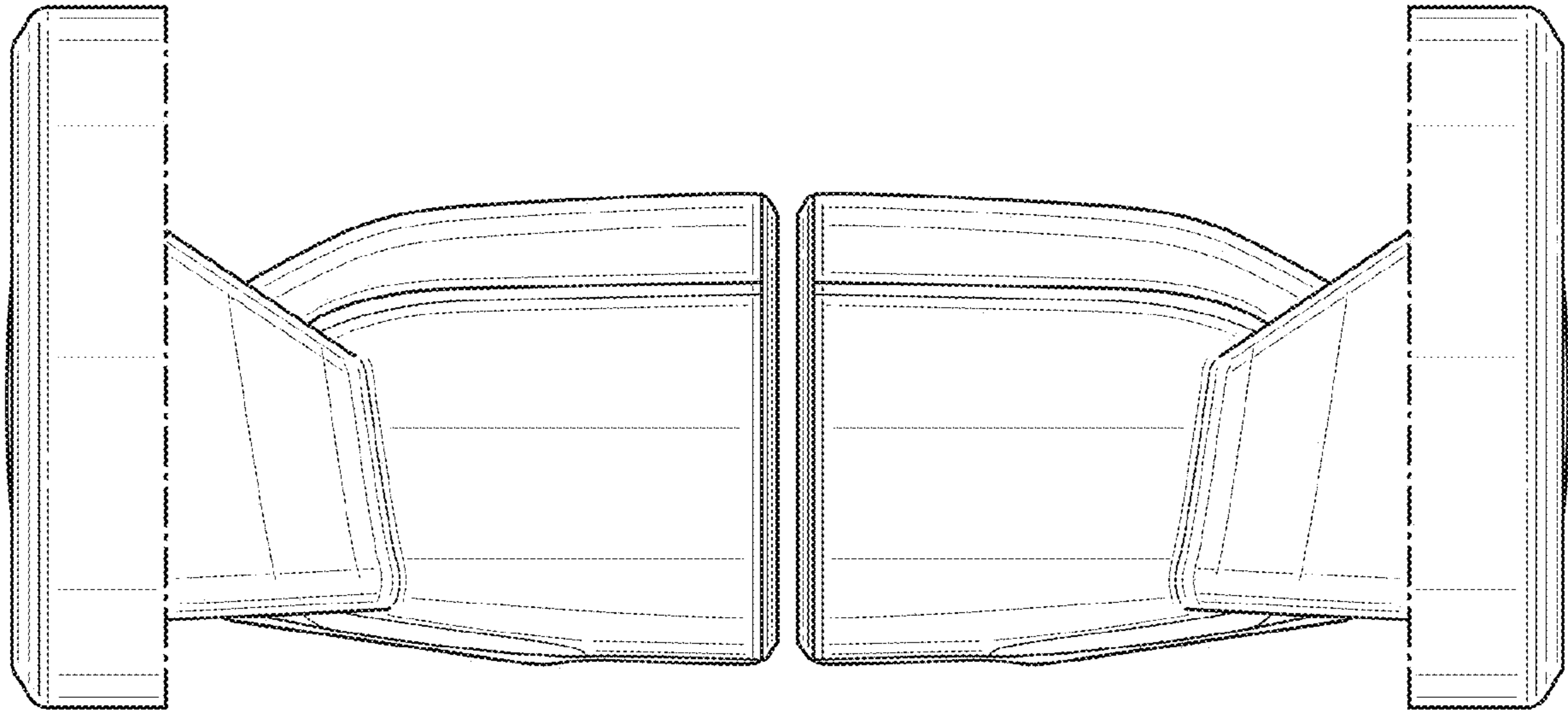
**FIG. 2**



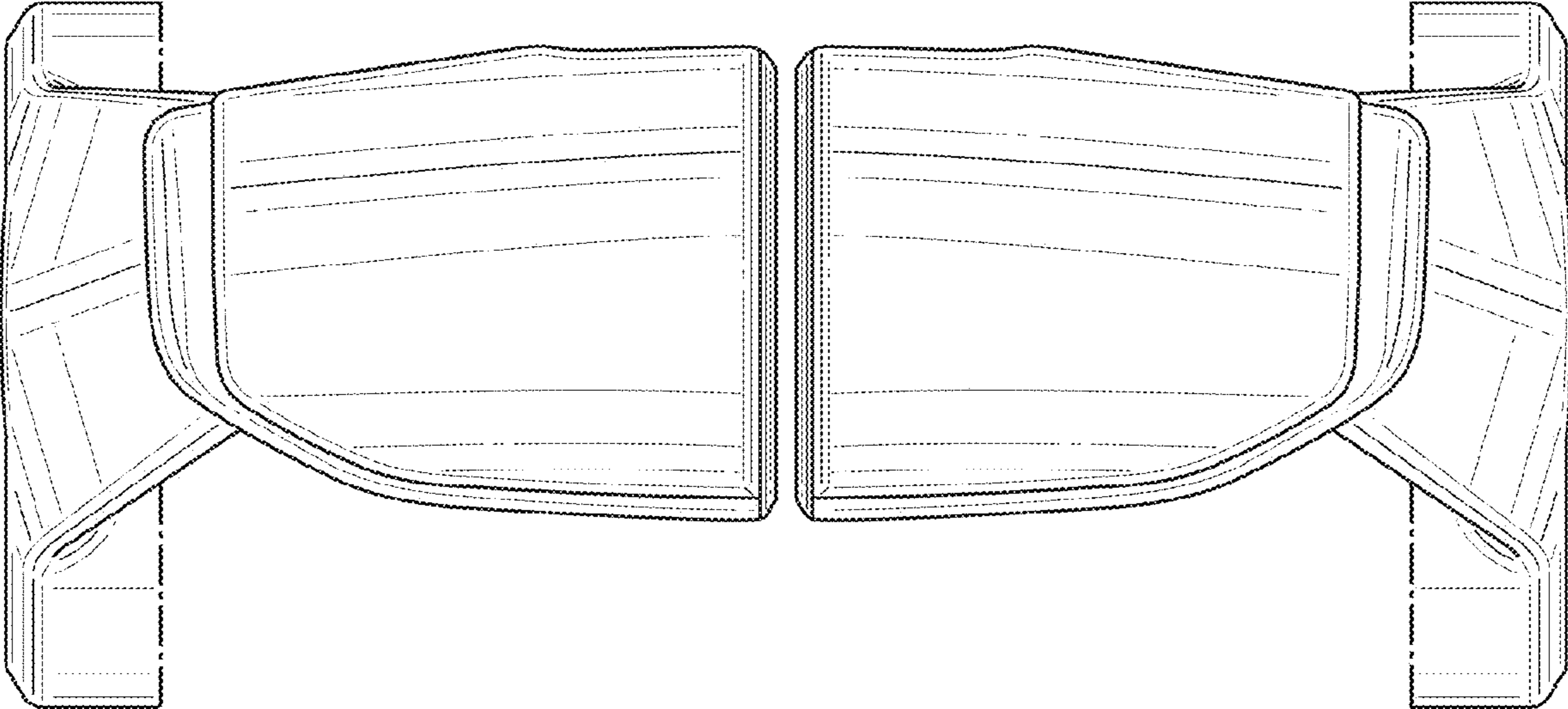
**FIG. 3**



**FIG. 4**

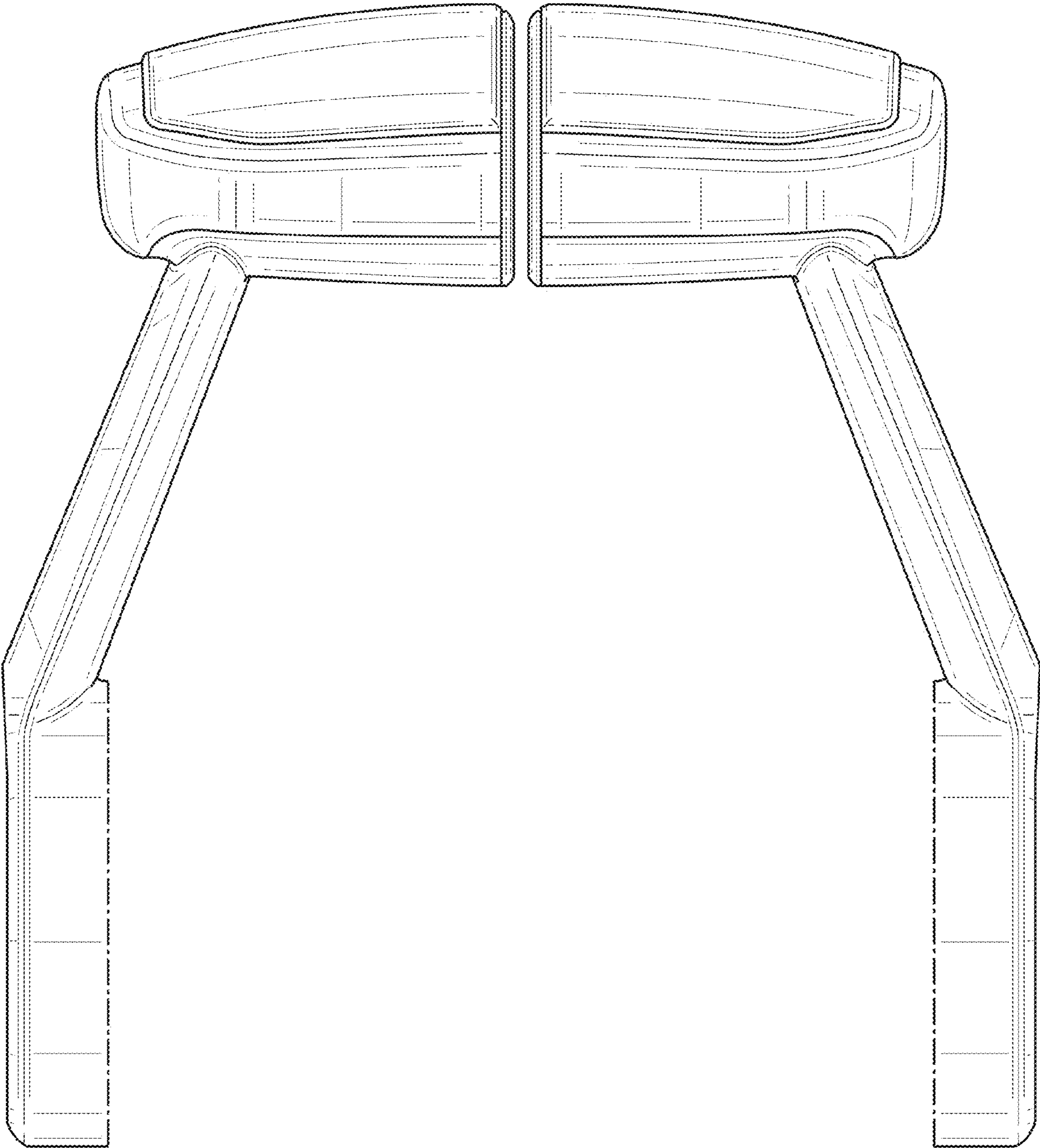


**FIG. 5**

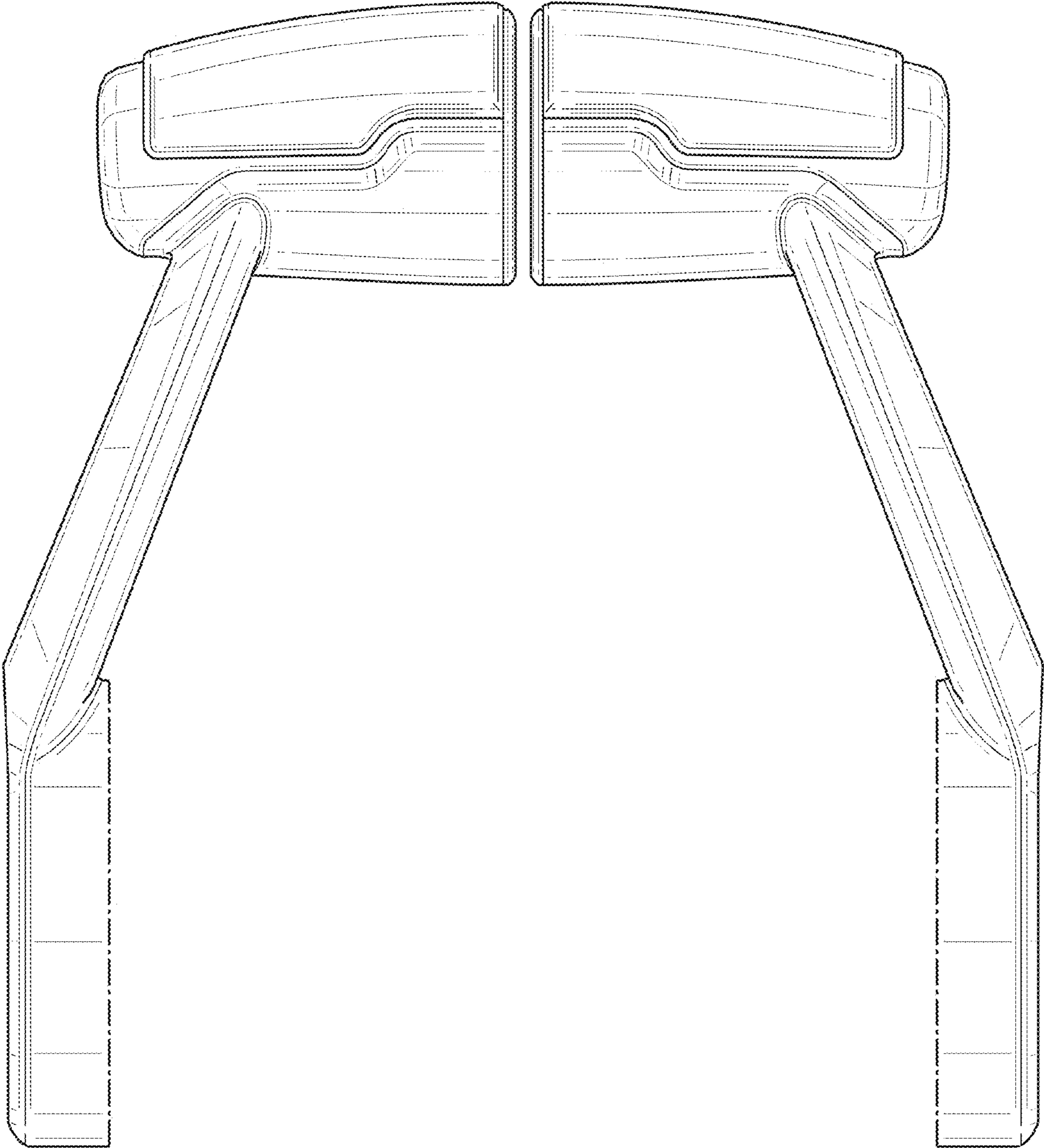


**FIG. 6**





**FIG. 7**



**FIG. 8**