



US00D890677S

(12) **United States Design Patent**  
**Steinberg et al.**

(10) **Patent No.:** **US D890,677 S**

(45) **Date of Patent:** **\*\* Jul. 21, 2020**

(54) **CONTROL LEVER**

(71) Applicant: **Torqueedo GmbH**, Gilching (DE)

(72) Inventors: **Claus Steinberg**, Unterhaching (DE);  
**Moritz Mueller**, Olching (DE); **Frank  
Despineux**, Wessling (DE)

(73) Assignee: **Torqueedo GmbH**, Gilching (DE)

(\*\*) Term: **15 Years**

(21) Appl. No.: **29/603,782**

(22) Filed: **May 12, 2017**

(30) **Foreign Application Priority Data**

Nov. 14, 2016 (EM) ..... 003462092

(51) **LOC (12) Cl.** ..... **12-06**

(52) **U.S. Cl.**  
USPC ..... **D12/317**

(58) **Field of Classification Search**  
USPC ..... D12/174, 178–180, 300, 301, 303–315,  
D12/317, 318; D10/49; D13/134, 162,  
D13/168, 169, 173  
CPC ..... B62H 21/21; B62H 21/213; B62H 21/22;  
B62H 21/265  
See application file for complete search history.

(56) **References Cited**

**U.S. PATENT DOCUMENTS**

D497,347 S *	10/2004	Iekura	.....	D13/168
D554,080 S *	10/2007	Iekura	.....	D13/168
D573,936 S *	7/2008	Jin	.....	D12/317
D581,855 S *	12/2008	Arol	.....	D12/317
D592,124 S *	5/2009	Wischnewski	.....	D12/317
D592,605 S *	5/2009	Iekura	.....	D13/168
D663,252 S *	7/2012	Bondesson	.....	D12/317

D689,423 S *	9/2013	Park	.....	D12/317
D689,424 S *	9/2013	Park	.....	D12/317
D710,781 S *	8/2014	Park	.....	D12/317

\* cited by examiner

*Primary Examiner* — Cynthia M. Chin

(74) *Attorney, Agent, or Firm* — Crowell & Moring LLP

(57) **CLAIM**

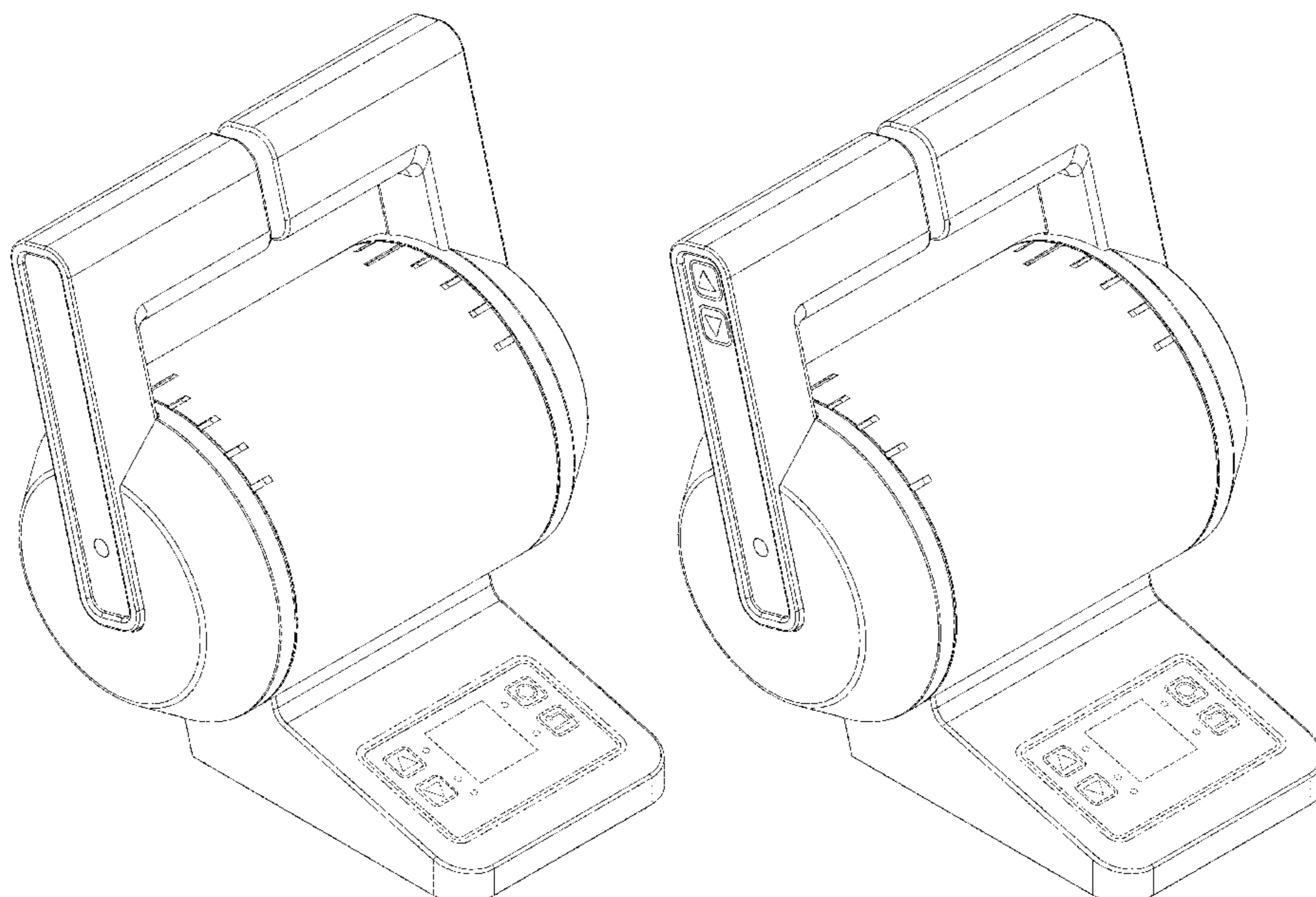
The ornamental design for a control lever, as shown and described.

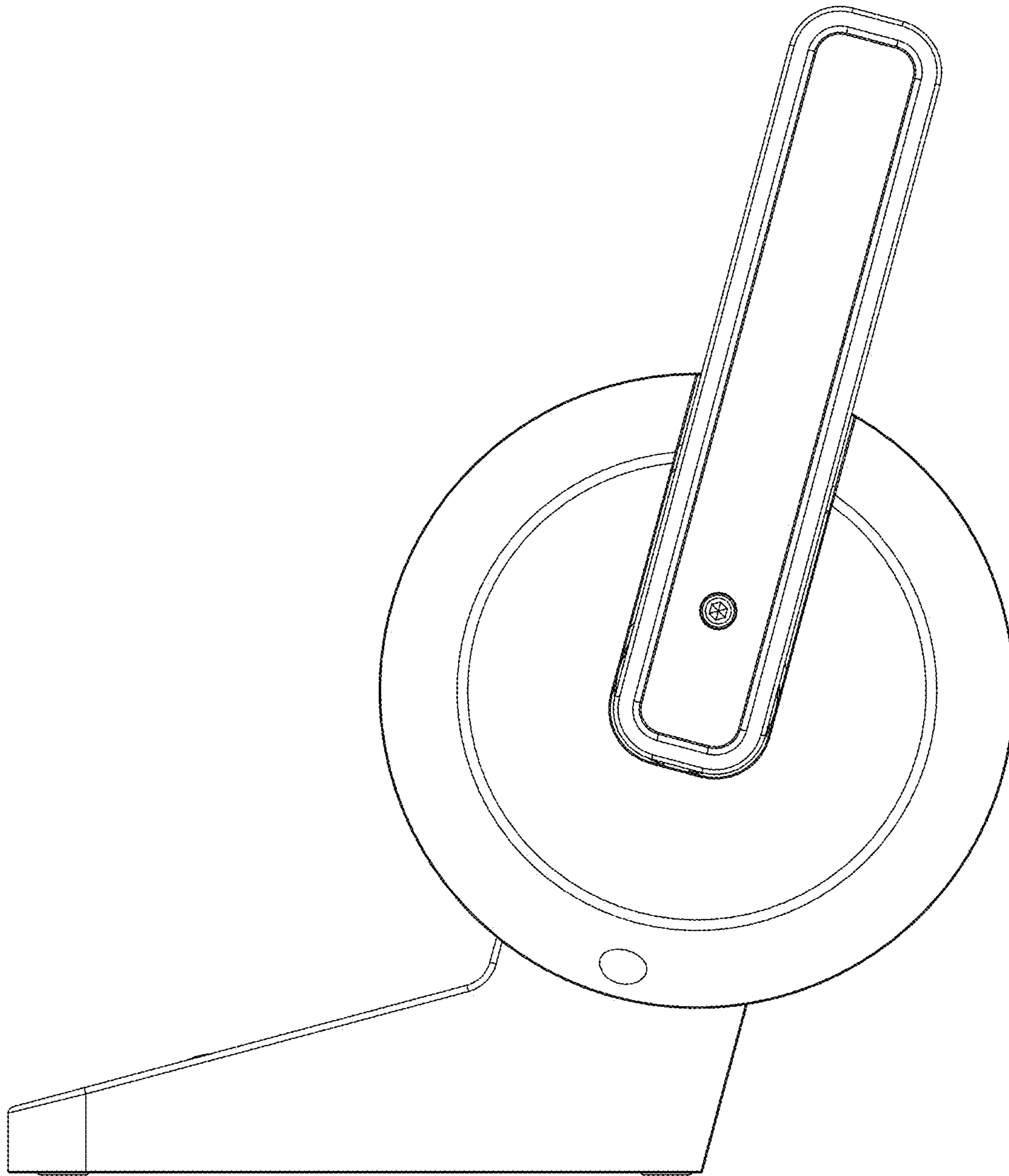
**DESCRIPTION**

FIG. 1 is a right side view of a first embodiment of a control lever according to the design;  
 FIG. 2 is a front view thereof;  
 FIG. 3 is a left side view thereof;  
 FIG. 4 is a rear view thereof;  
 FIG. 5 is a top view thereof;  
 FIG. 6 is a right, front perspective view thereof;  
 FIG. 7 is a left, front perspective view thereof;  
 FIG. 8 is a right, rear perspective view thereof; and  
 FIG. 9 is a left, rear perspective view thereof.  
 FIG. 10 is a right side view of a second embodiment of the control lever according to the design;  
 FIG. 11 is a front view thereof;  
 FIG. 12 is a left side view thereof;  
 FIG. 13 is a rear view thereof;  
 FIG. 14 is a top view thereof;  
 FIG. 15 is a right, front perspective view thereof;  
 FIG. 16 is a left, front perspective view thereof;  
 FIG. 17 is a right, rear perspective view thereof; and,  
 FIG. 18 is a left, rear perspective view thereof.

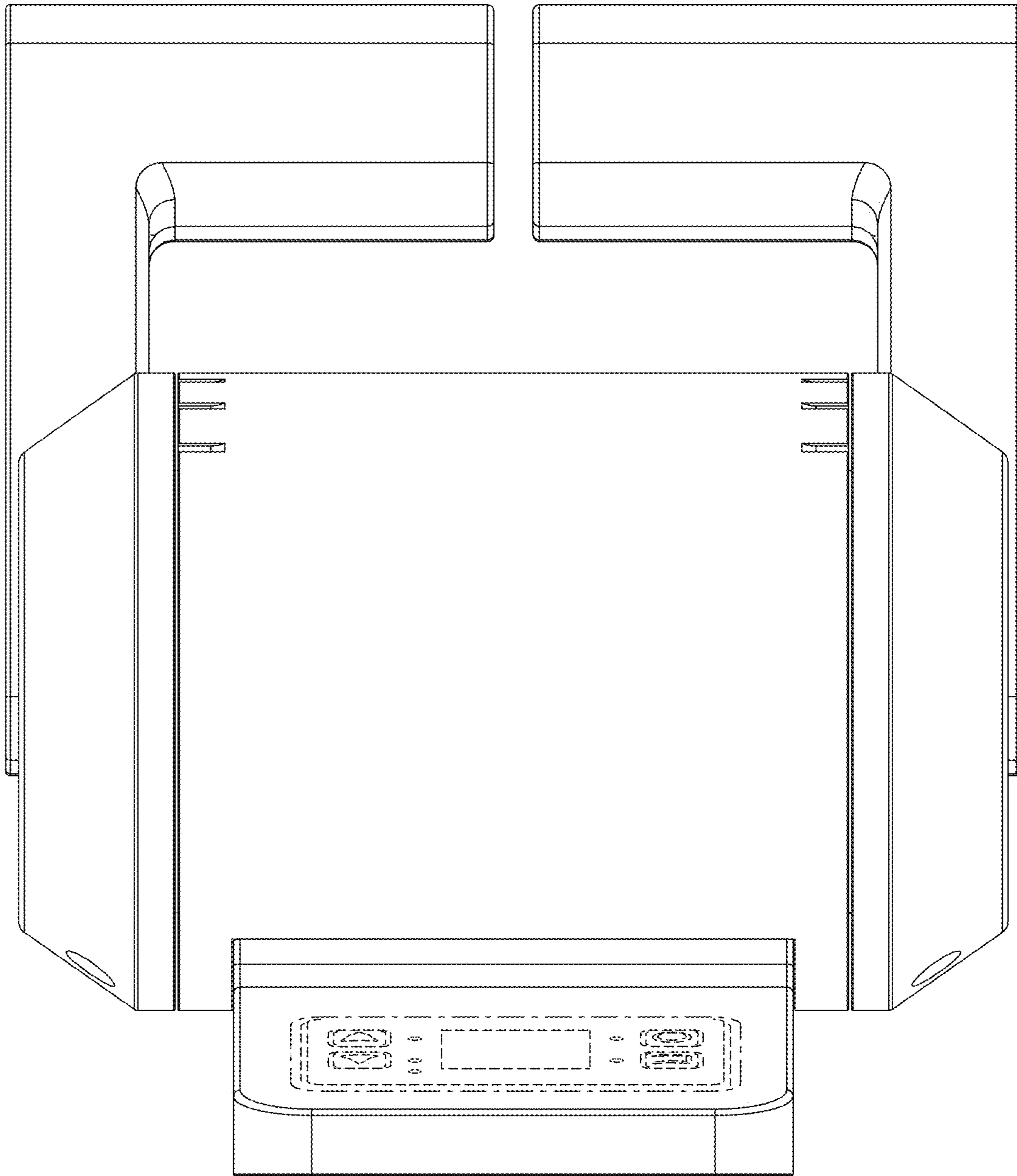
The dash-dot-dash broken lines in the drawings define the bounds of the claimed design and form no part thereof. The remaining broken lines in the drawings illustrate environmental subject matter only and form no part of the claimed design.

**1 Claim, 18 Drawing Sheets**

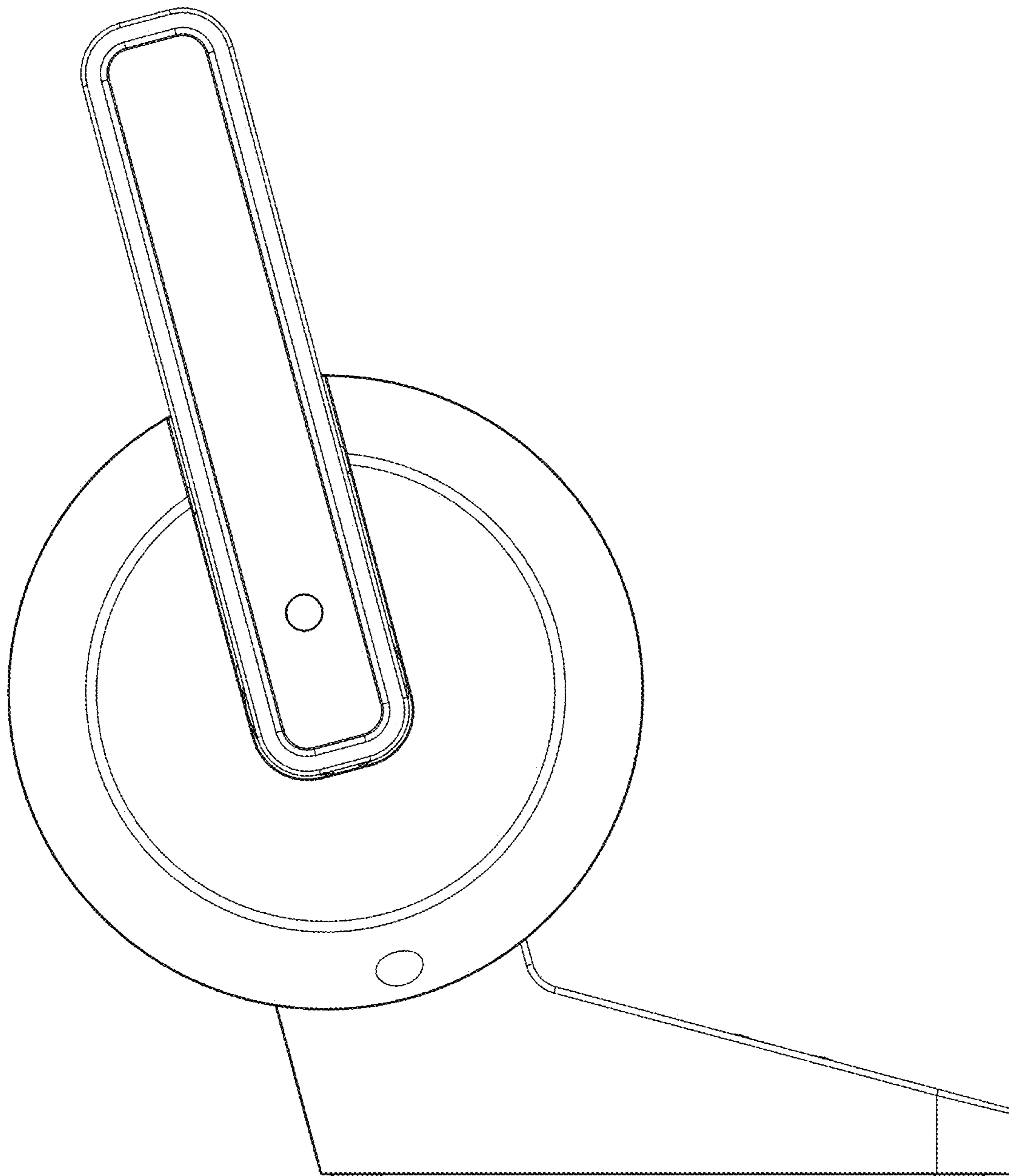




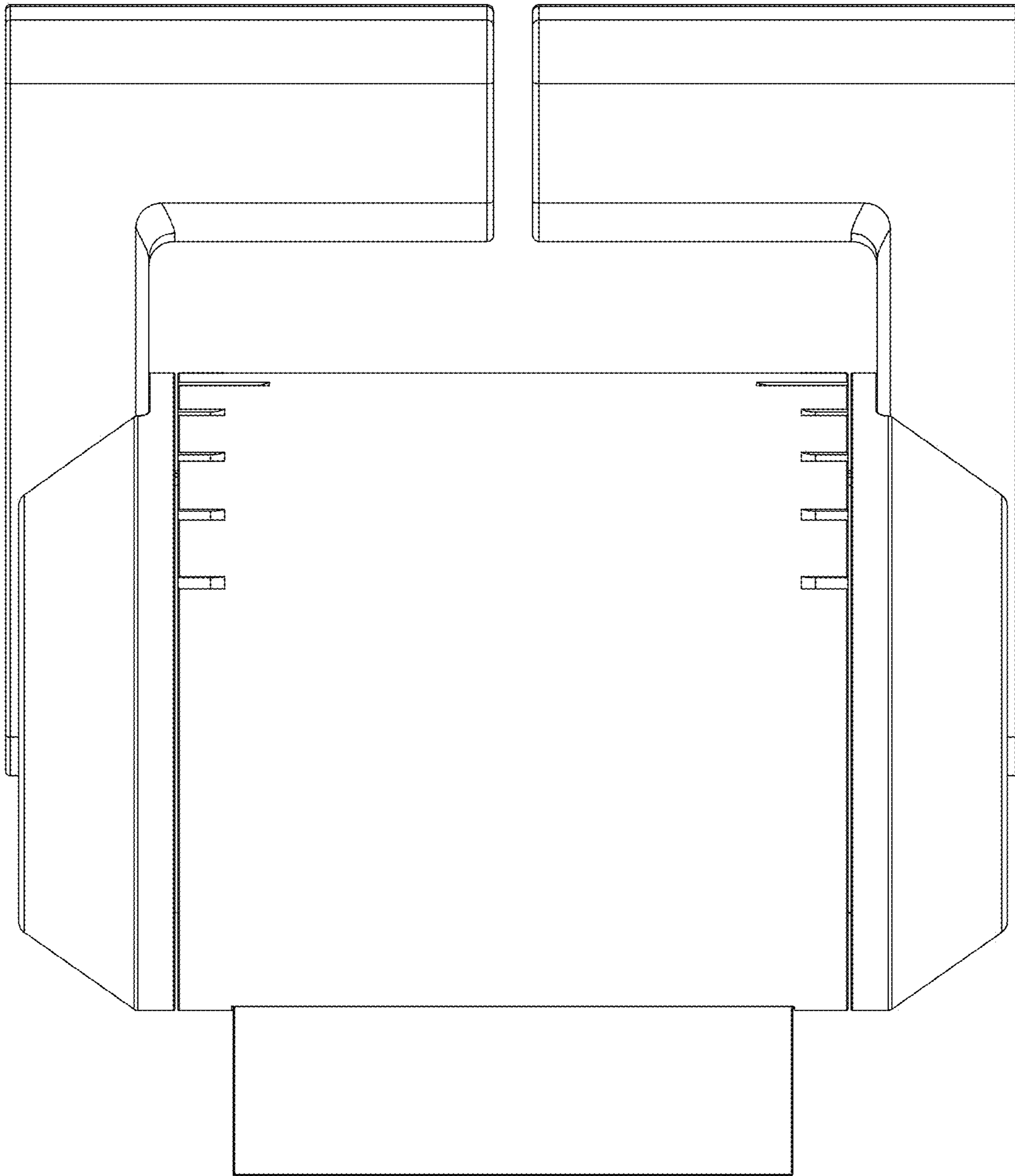
**FIG. 1**



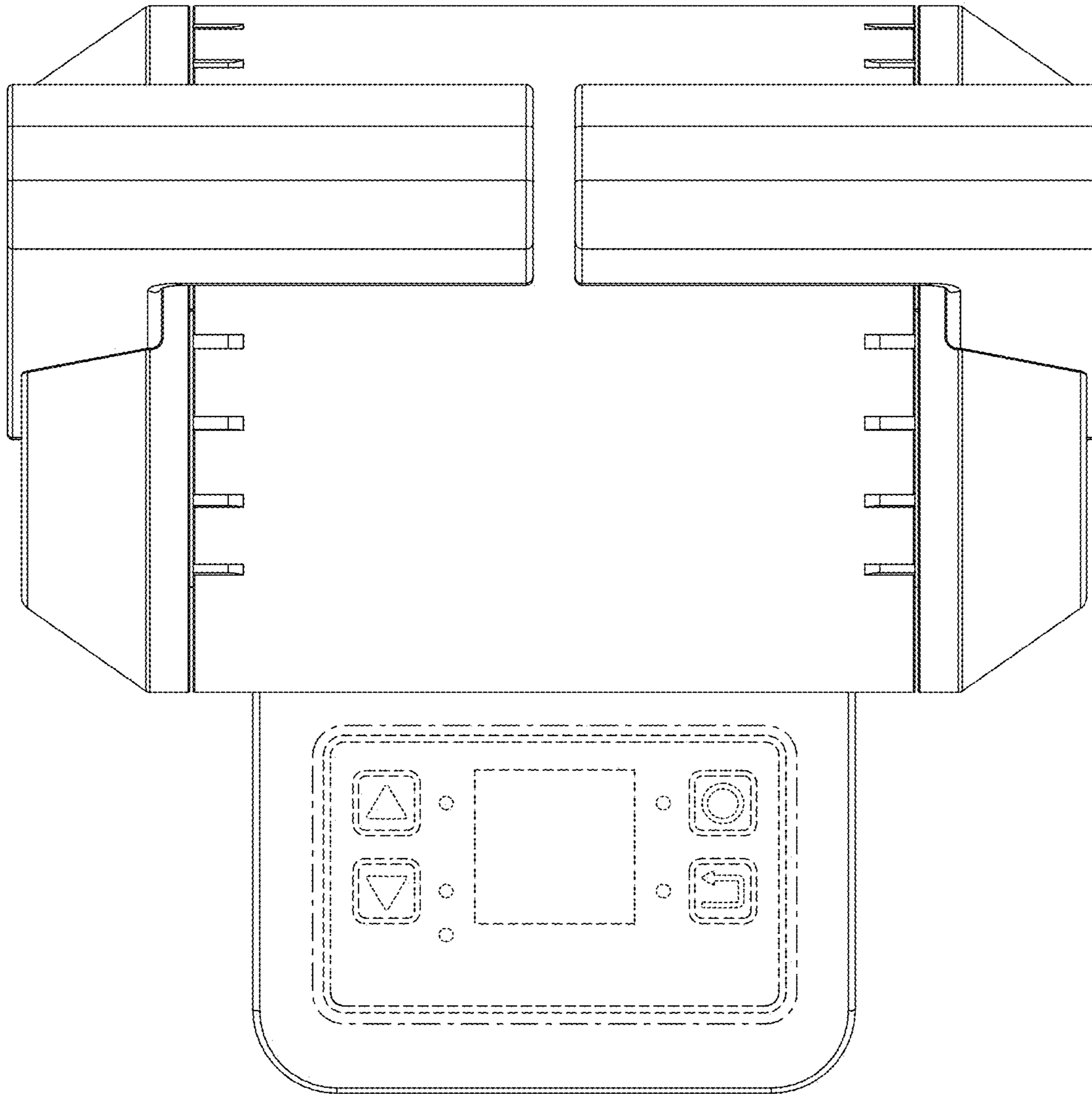
**FIG. 2**



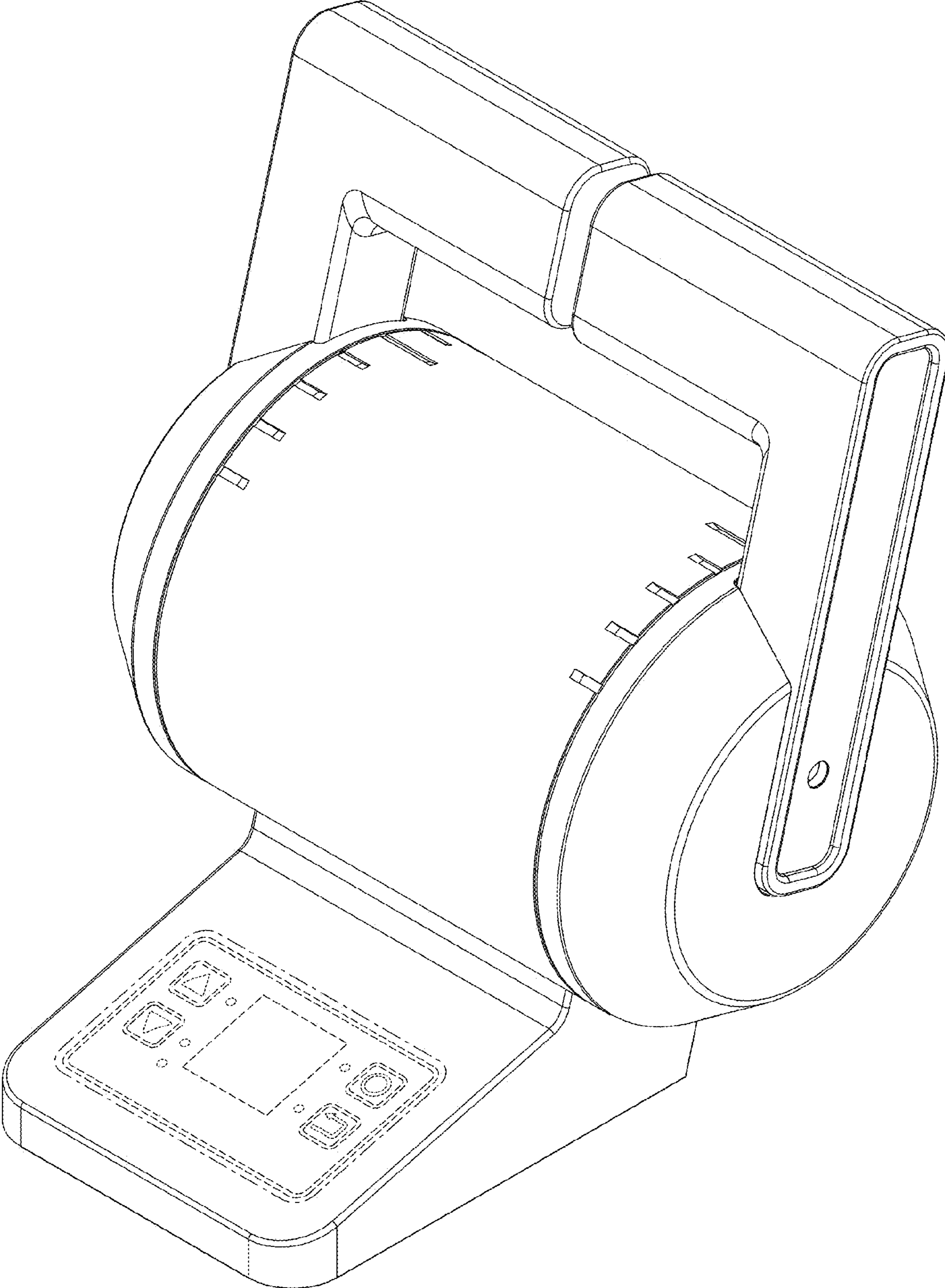
**FIG. 3**



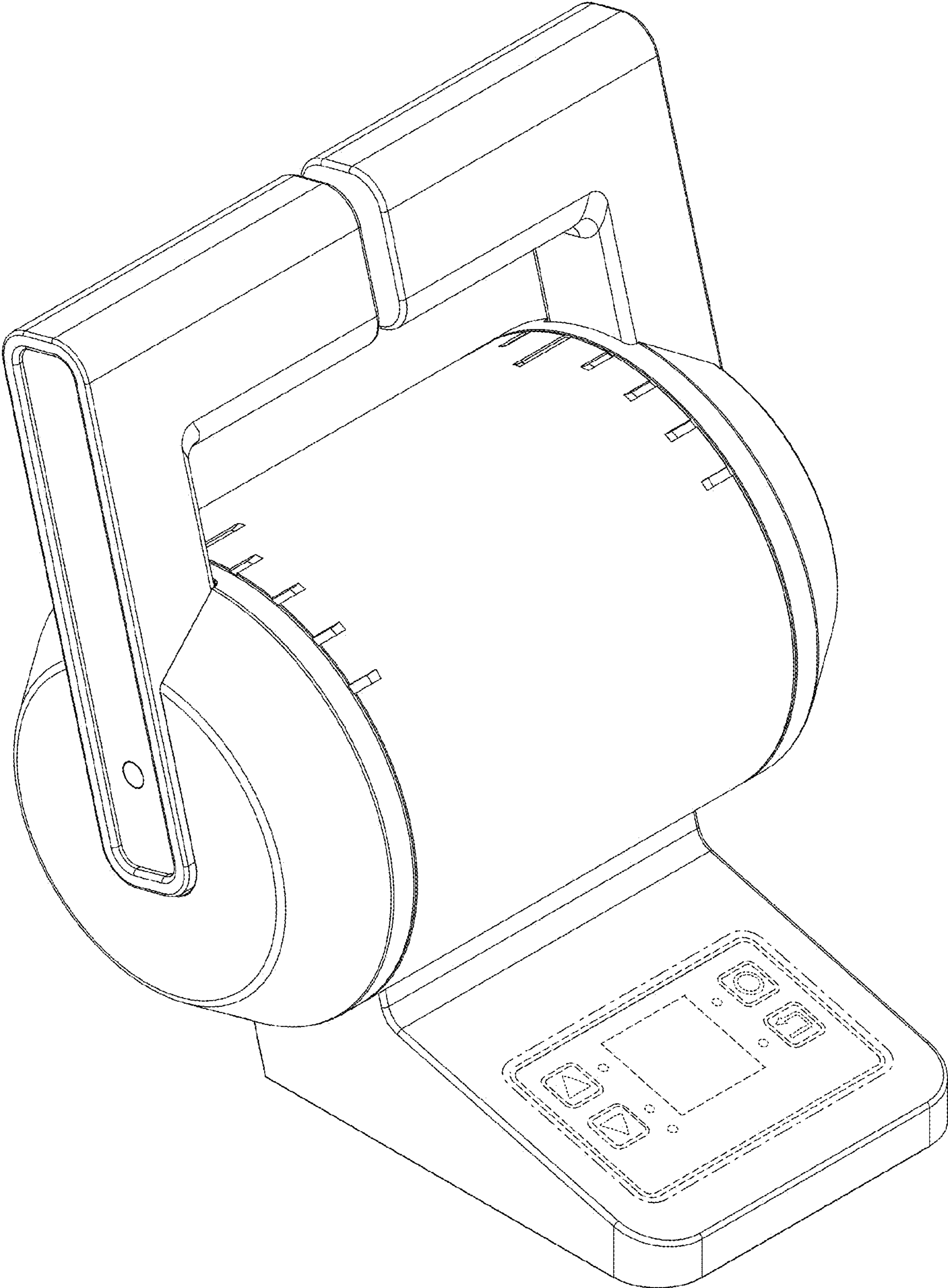
**FIG. 4**



**FIG. 5**

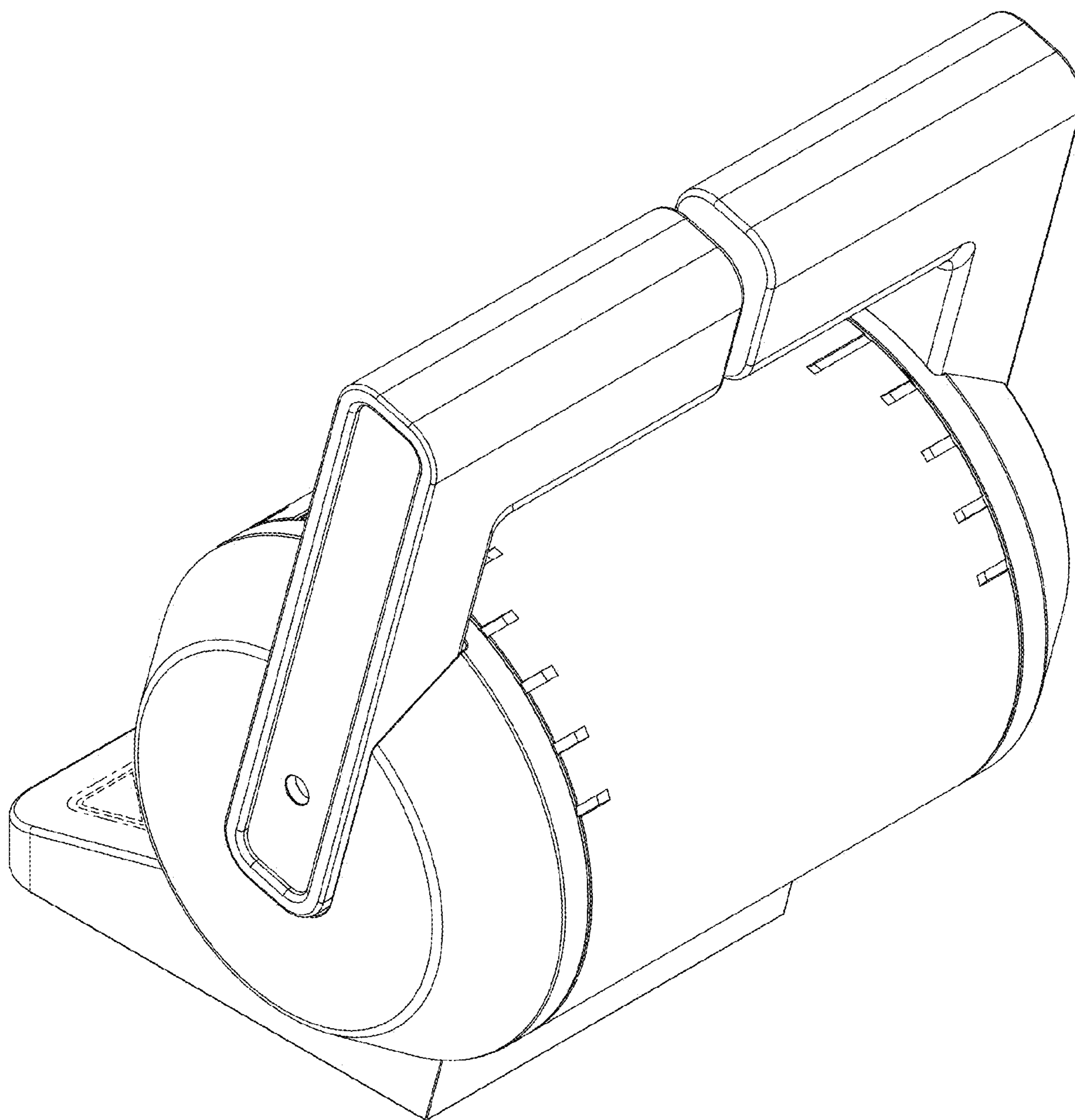


**FIG. 6**

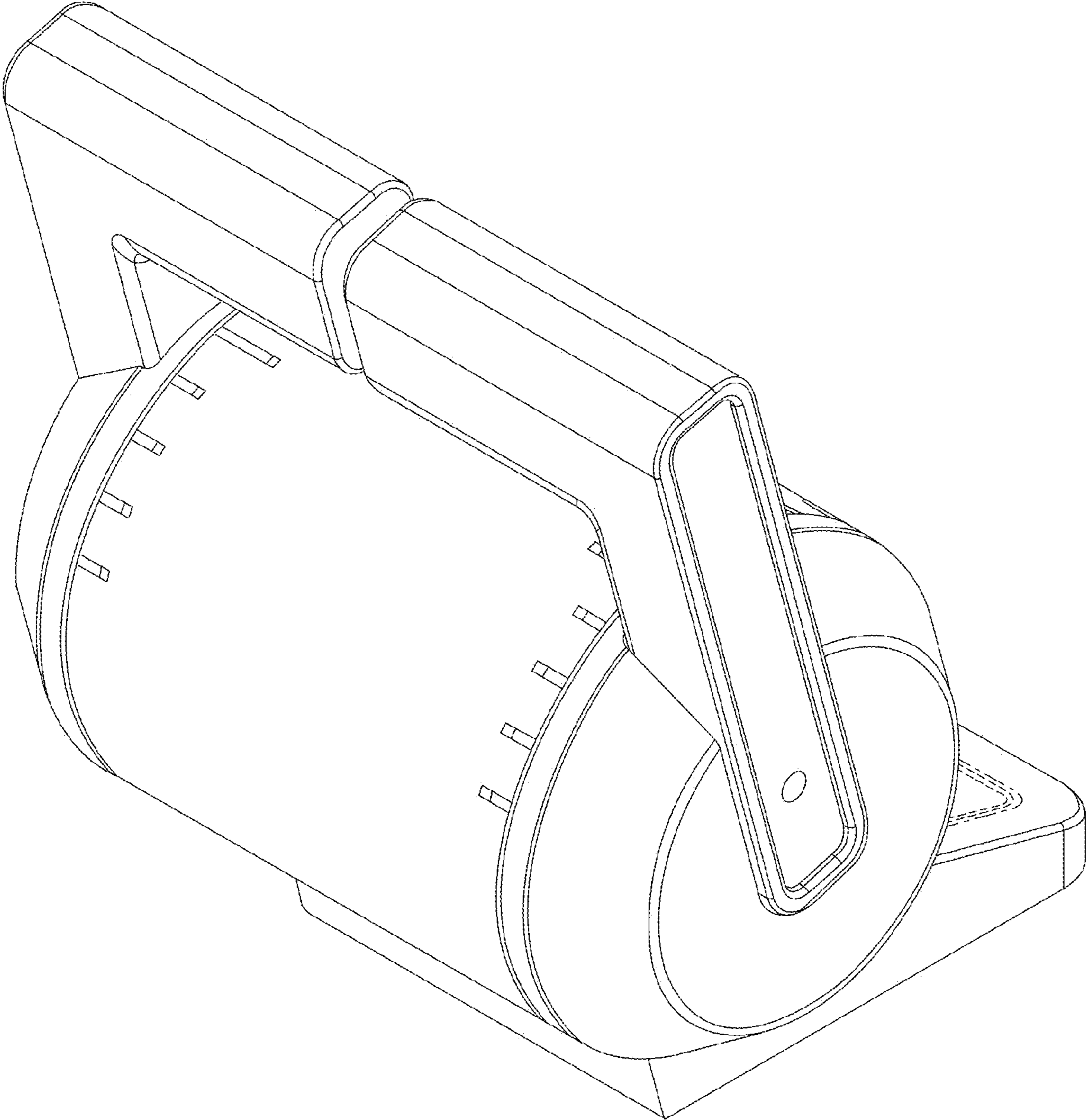


**FIG. 7**

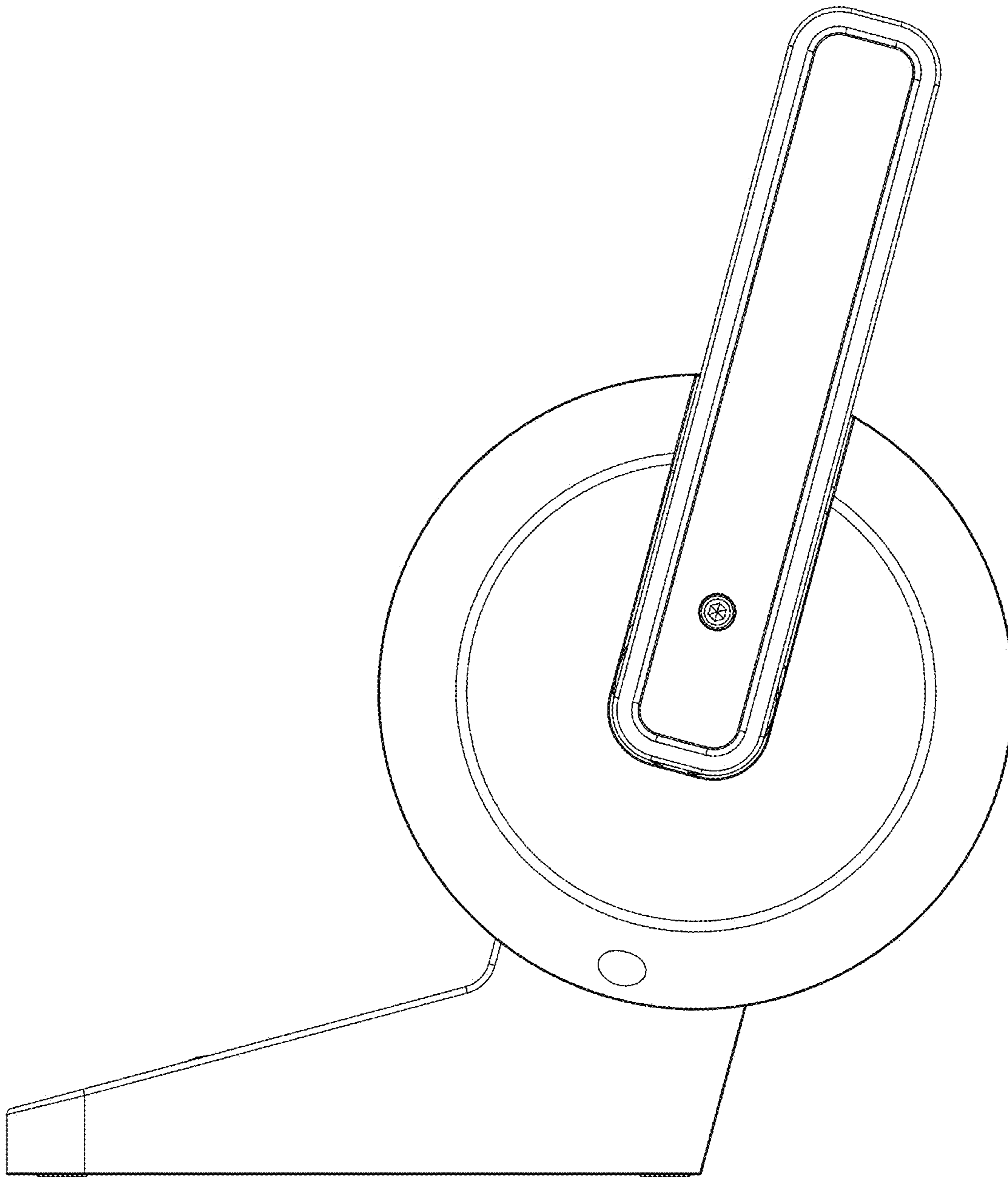




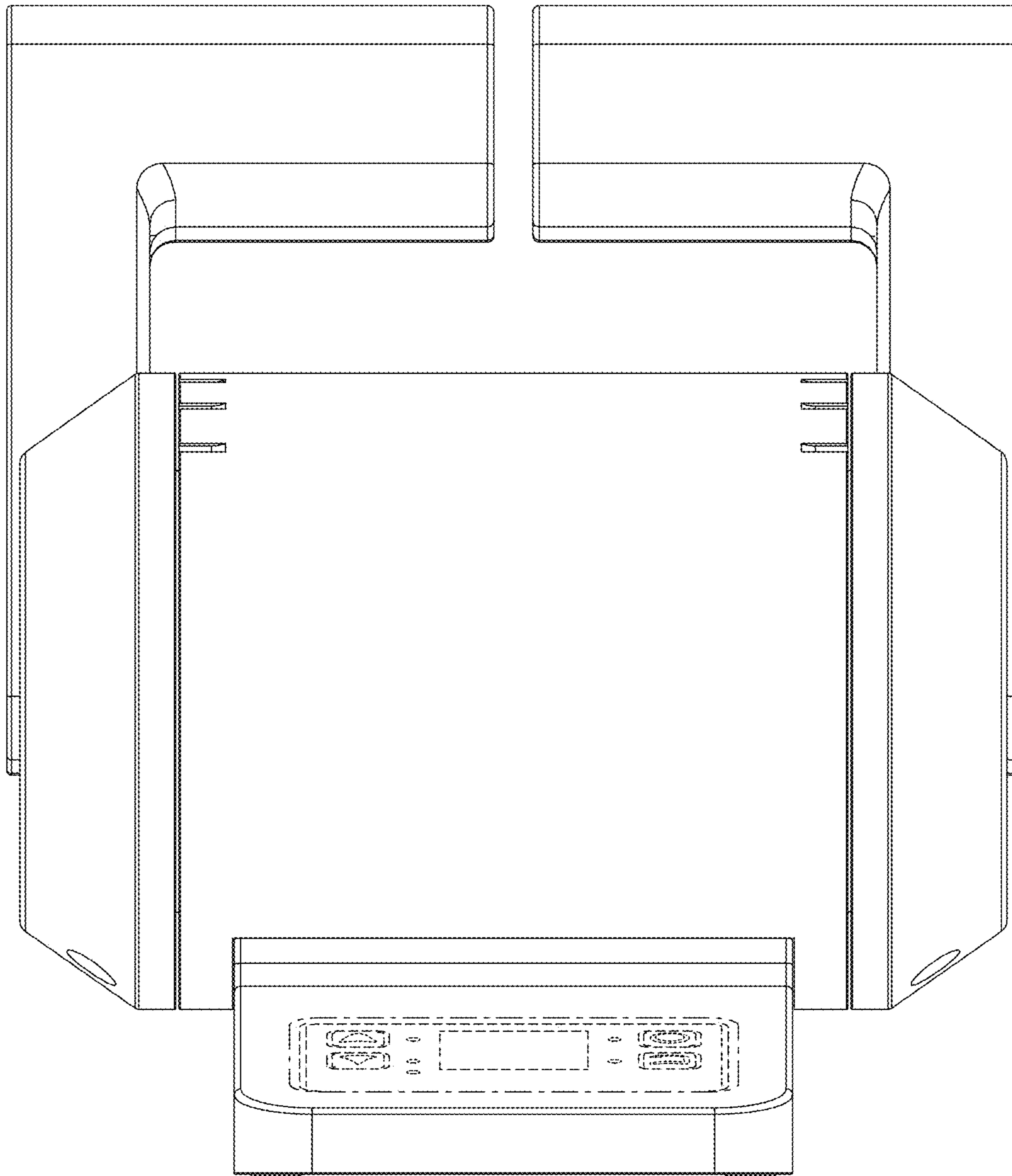
**FIG. 8**



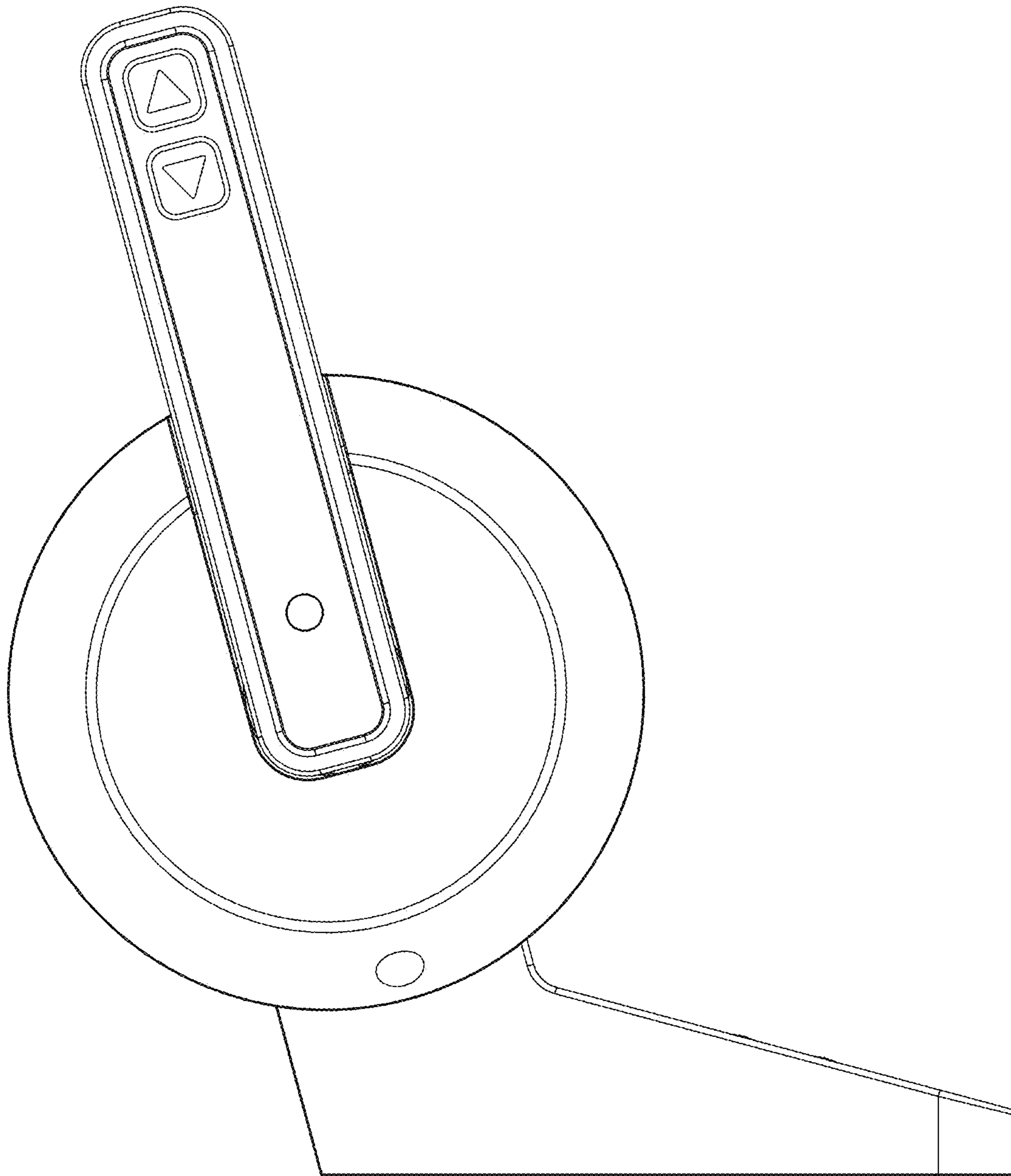
**FIG. 9**



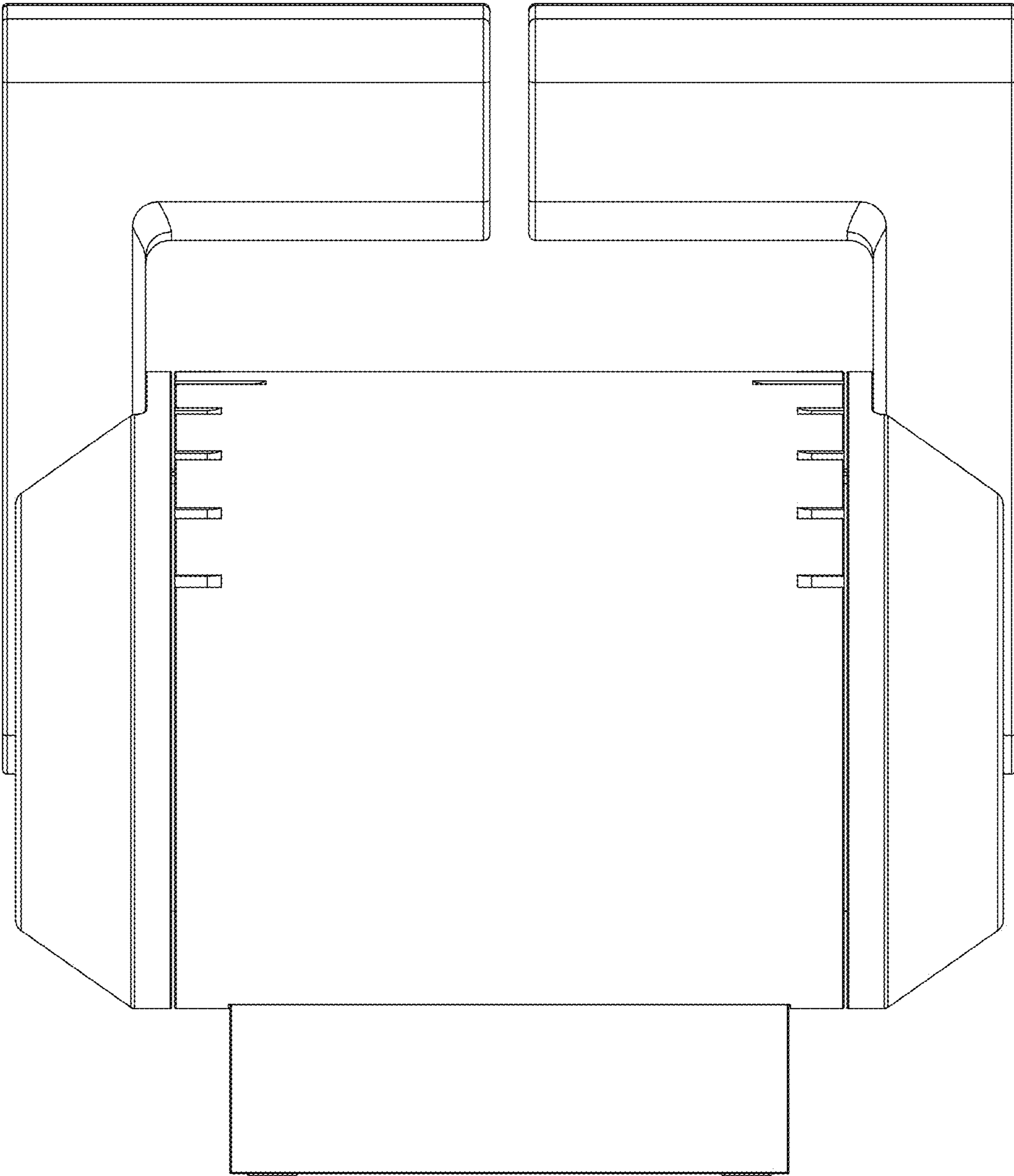
**FIG. 10**



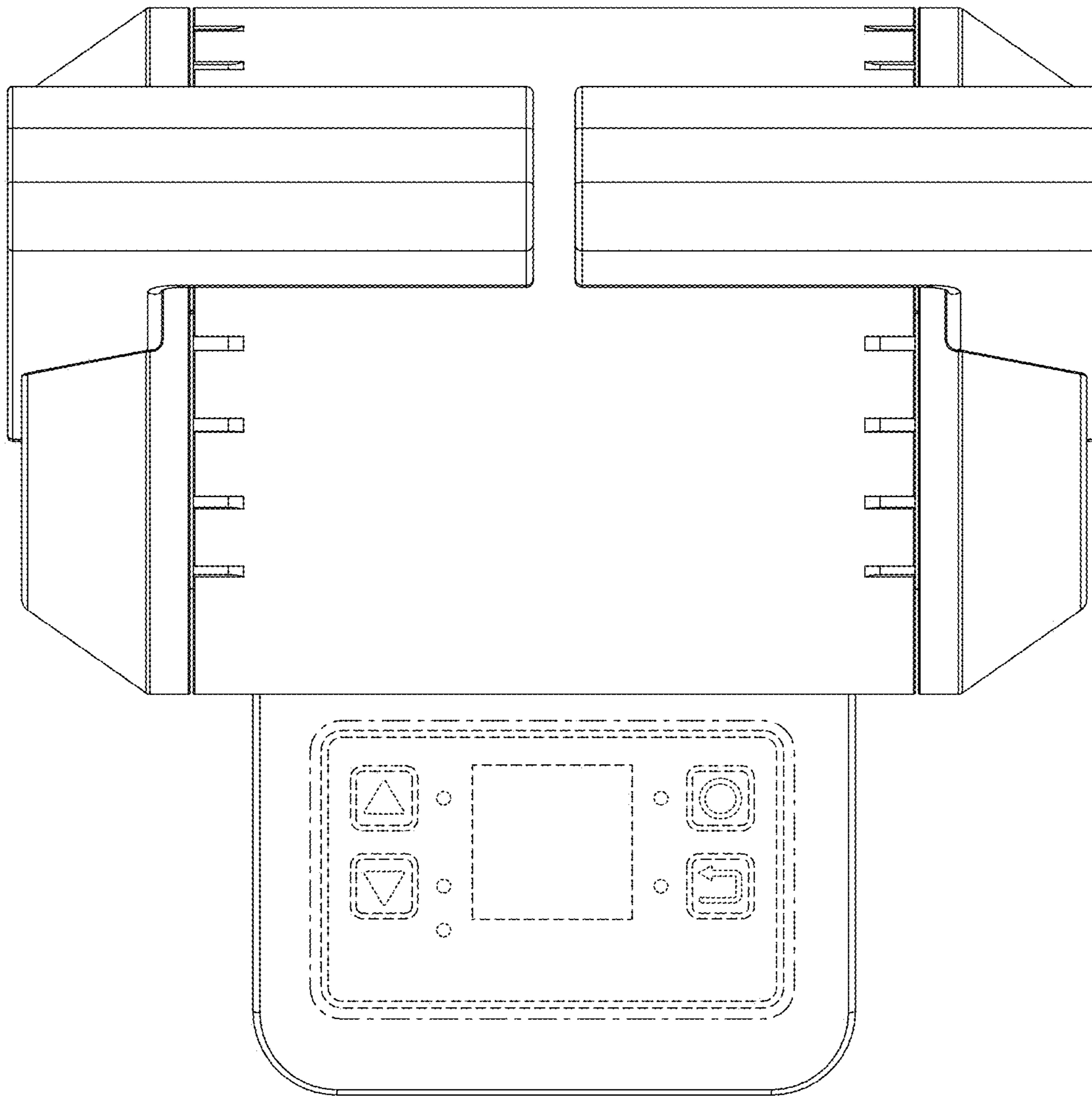
**FIG. 11**



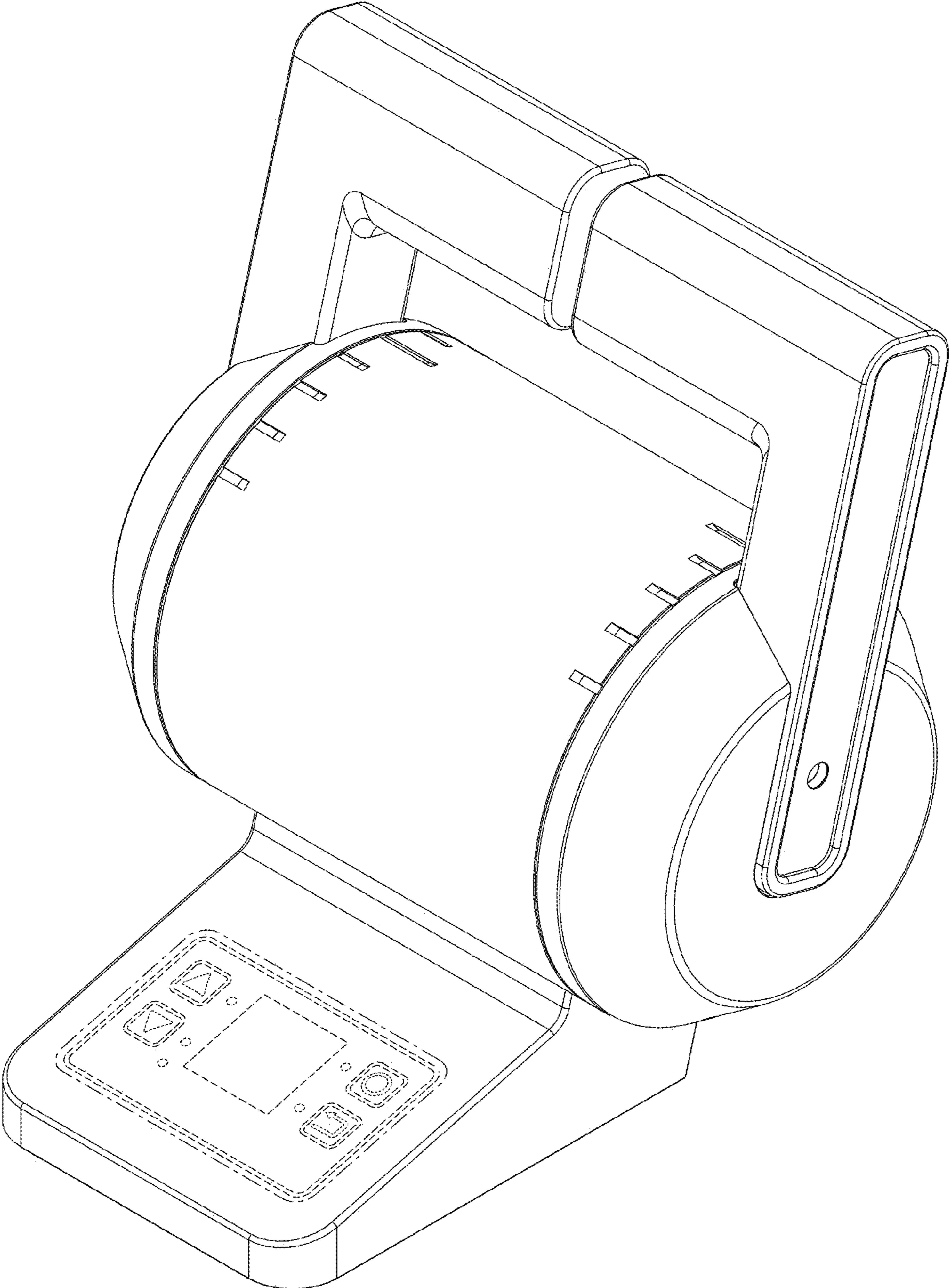
**FIG. 12**



**FIG. 13**

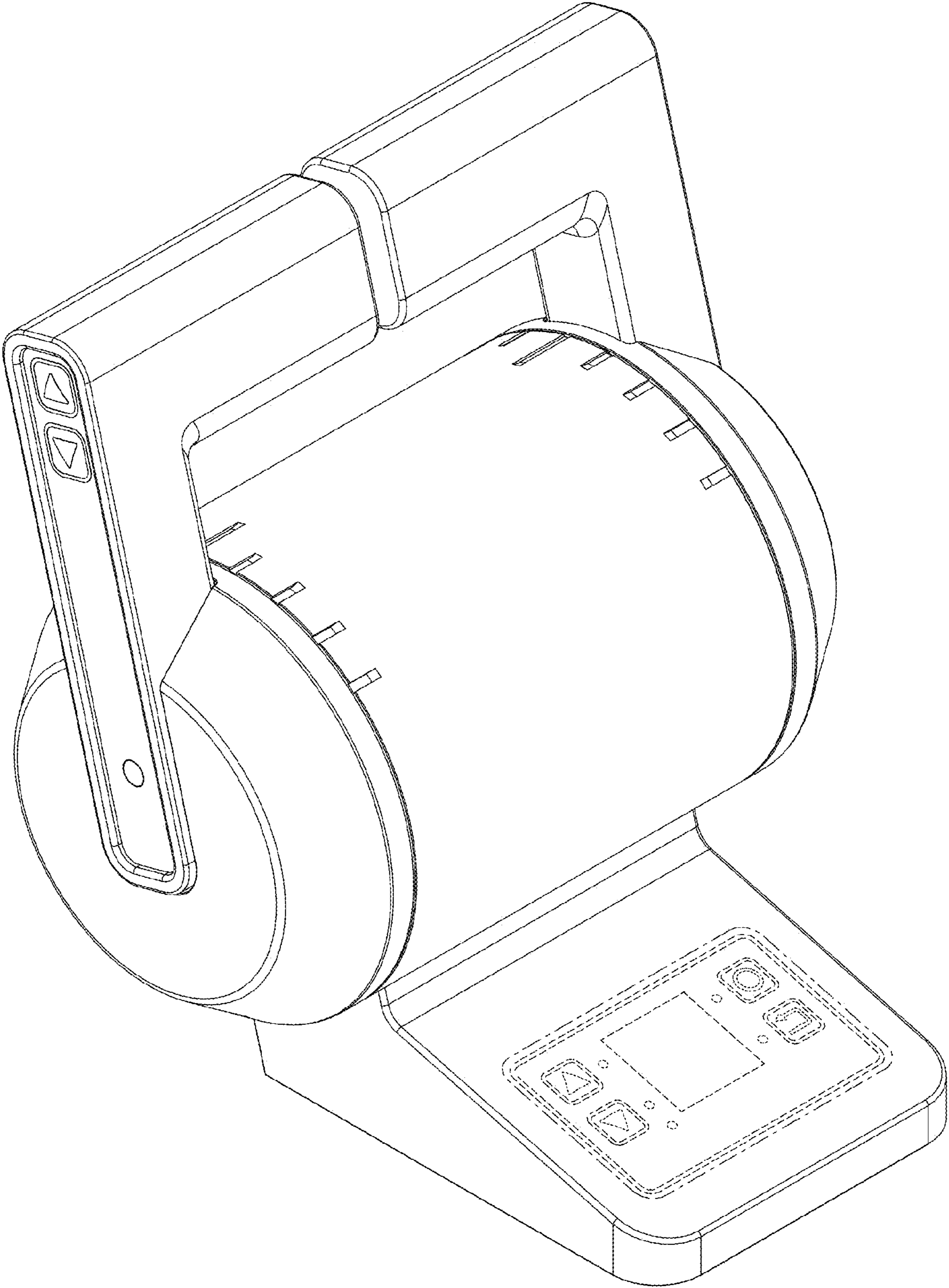


**FIG. 14**

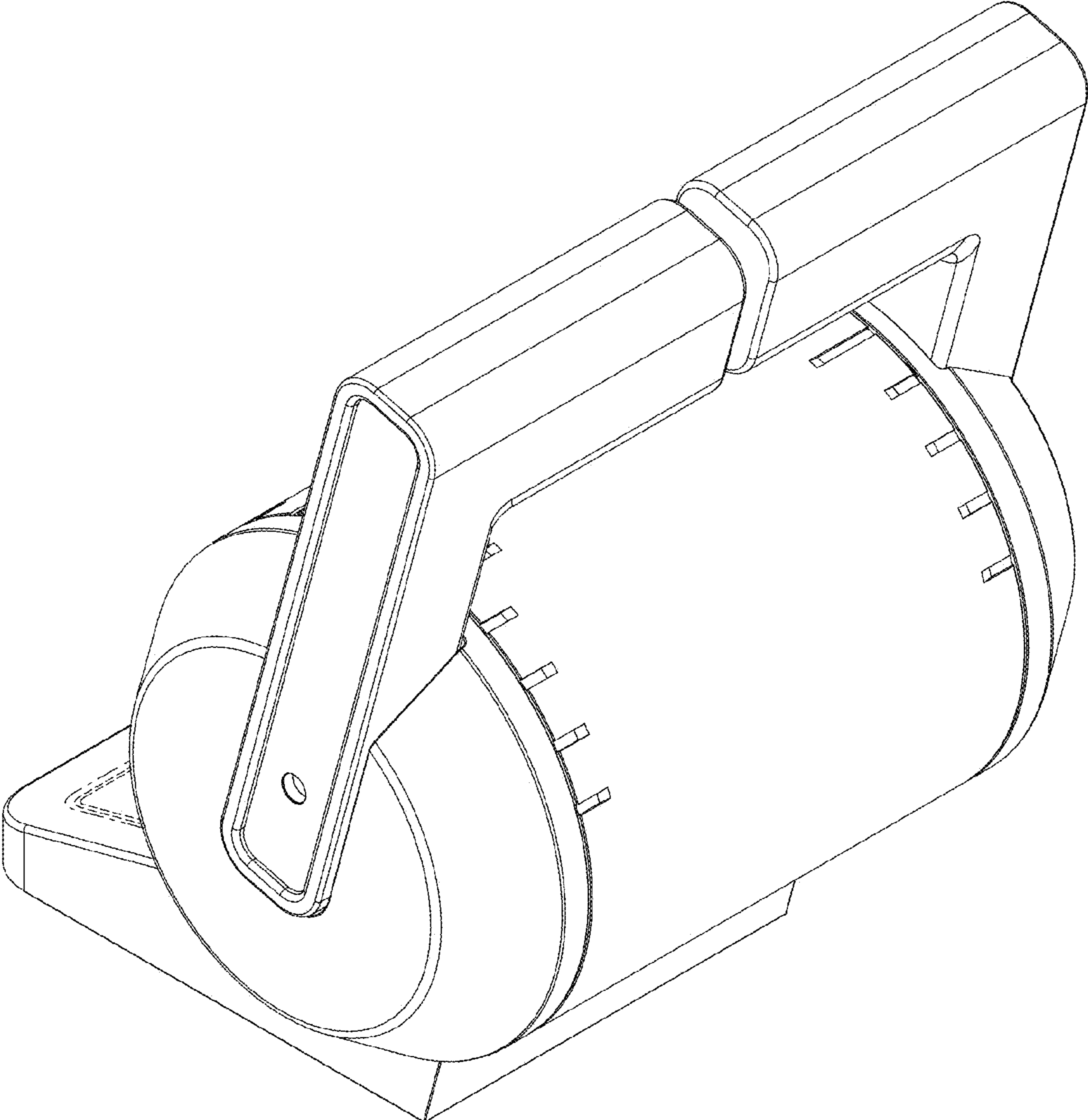


**FIG. 15**

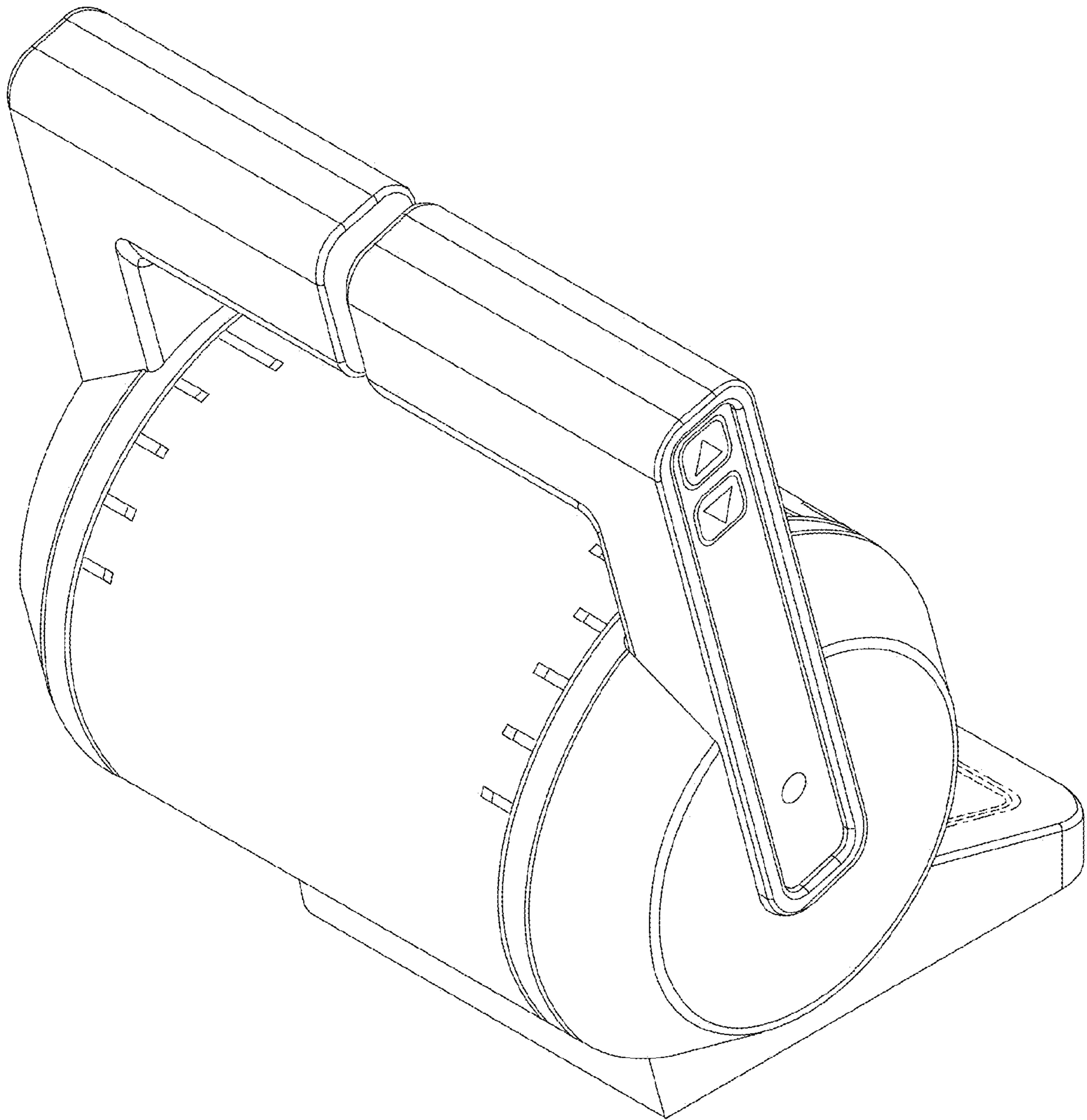




**FIG. 16**



**FIG. 17**



**FIG. 18**