



US00D890675S

(12) **United States Design Patent** (10) **Patent No.:** **US D890,675 S**
Fellman (45) **Date of Patent:** **** Jul. 21, 2020**

(54) **VEHICLE TANK**
(71) Applicant: **PACCAR Inc**, Bellevue, WA (US)
(72) Inventor: **Martha-Ann Fellman**, Denton, TX (US)
(73) Assignee: **PACCAR INC**, Bellevue, WA (US)
(**) Term: **15 Years**
(21) Appl. No.: **29/666,868**
(22) Filed: **Oct. 16, 2018**
(51) **LOC (12) Cl.** **12-06**
(52) **U.S. Cl.**
USPC **D12/218**; D15/28
(58) **Field of Classification Search**
USPC D12/218; D15/15, 17, 23, 28
CPC B60K 15/00; B60K 15/03; B60K 15/0306;
B60K 15/063; B60K 15/073; B60K
15/07; B62D 21/16; F02M 37/0094
See application file for complete search history.

D588,054 S * 3/2009 Xi-Ren D12/218
D644,160 S * 8/2011 Fries D12/218
D644,161 S * 8/2011 Fries D12/218
D647,166 S * 10/2011 Kimball D23/202
D655,372 S * 3/2012 Kimball D23/202
D656,520 S * 3/2012 Ortlund D12/218
D663,325 S * 7/2012 Thunstrom D15/13
D669,099 S * 10/2012 Ringer D15/28
D694,167 S * 11/2013 Forsberg D12/218
D695,202 S * 12/2013 Forsberg D12/218
D713,424 S * 9/2014 Gonzales D15/28
D728,632 S * 5/2015 Klassen D12/218
D728,633 S * 5/2015 Klassen D12/218
D772,773 S * 11/2016 Andersen D12/218
D775,238 S * 12/2016 Roemer D12/218
D792,479 S * 7/2017 Sasaki D15/17

* cited by examiner

Primary Examiner — Darlington Ly
(74) *Attorney, Agent, or Firm* — Seed IP Law Group LLP

(57) **CLAIM**

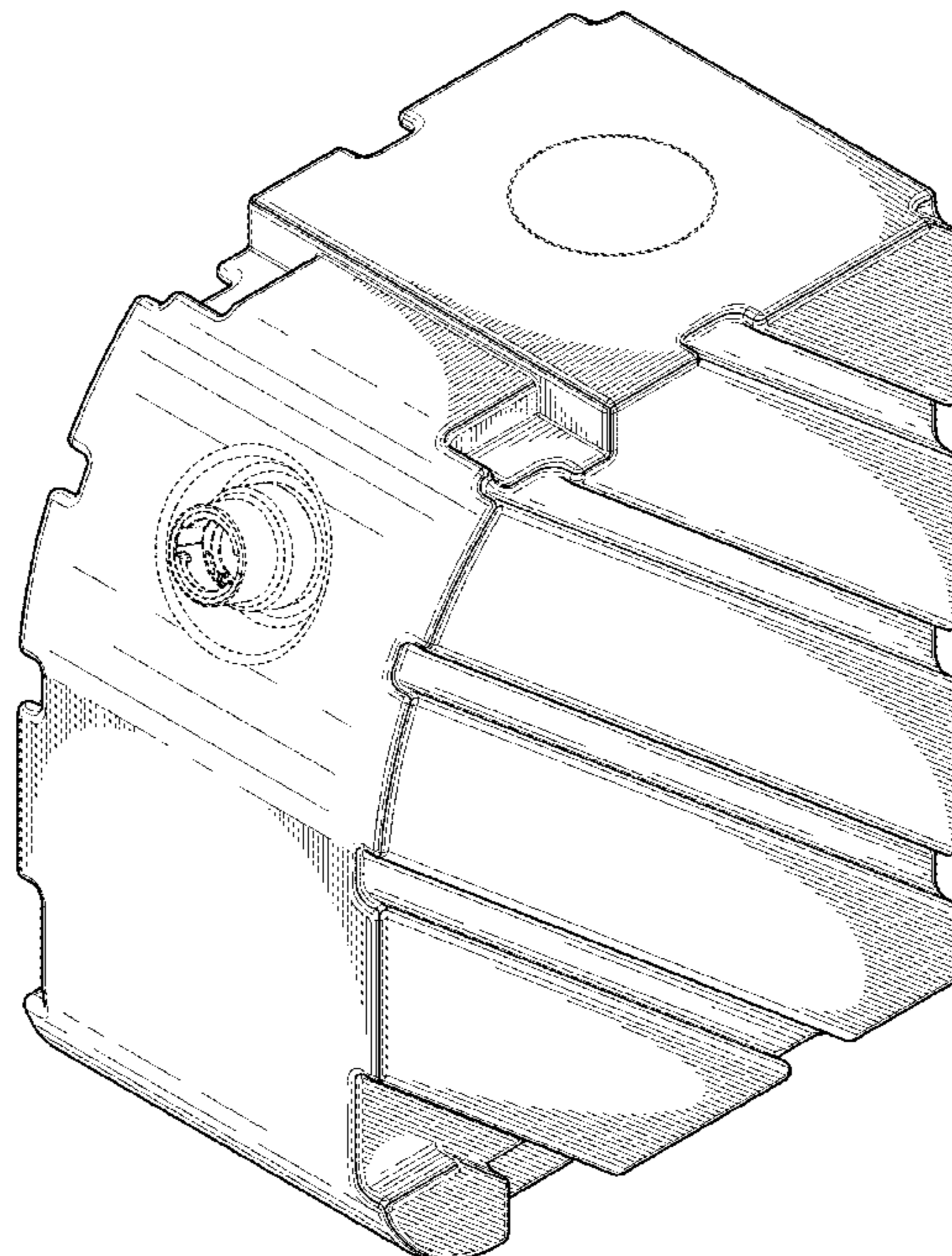
The ornamental design for a vehicle tank, as shown and described.

DESCRIPTION

FIG. 1 is a front perspective view of a vehicle tank showing my new design;
FIG. 2 is a rear perspective view thereof;
FIG. 3 is a right side elevation view thereof;
FIG. 4 is a left side elevation view thereof;
FIG. 5 is a front elevation view thereof;
FIG. 6 is a rear elevation view thereof;
FIG. 7 is a top plan view thereof; and,
FIG. 8 is a bottom plan view thereof.
The broken lines shown in the figures represent portions of the vehicle tank that form no part of the claimed design.

1 Claim, 8 Drawing Sheets

(56) **References Cited**
U.S. PATENT DOCUMENTS
4,480,845 A * 11/1984 Hansen B60K 15/00
280/164.1
D282,921 S * 3/1986 Eureka D12/218
D433,425 S * 11/2000 Surridge D15/17
D435,503 S * 12/2000 Gukeisen D12/218
D441,710 S * 5/2001 Moehle D12/218
6,550,811 B1 * 4/2003 Bennett B60K 15/03
180/314
D484,893 S * 1/2004 Hsiao D15/9
D551,153 S * 9/2007 Oury D12/218
D562,350 S * 2/2008 Higashikawa D12/218
D564,431 S * 3/2008 Orr D12/196



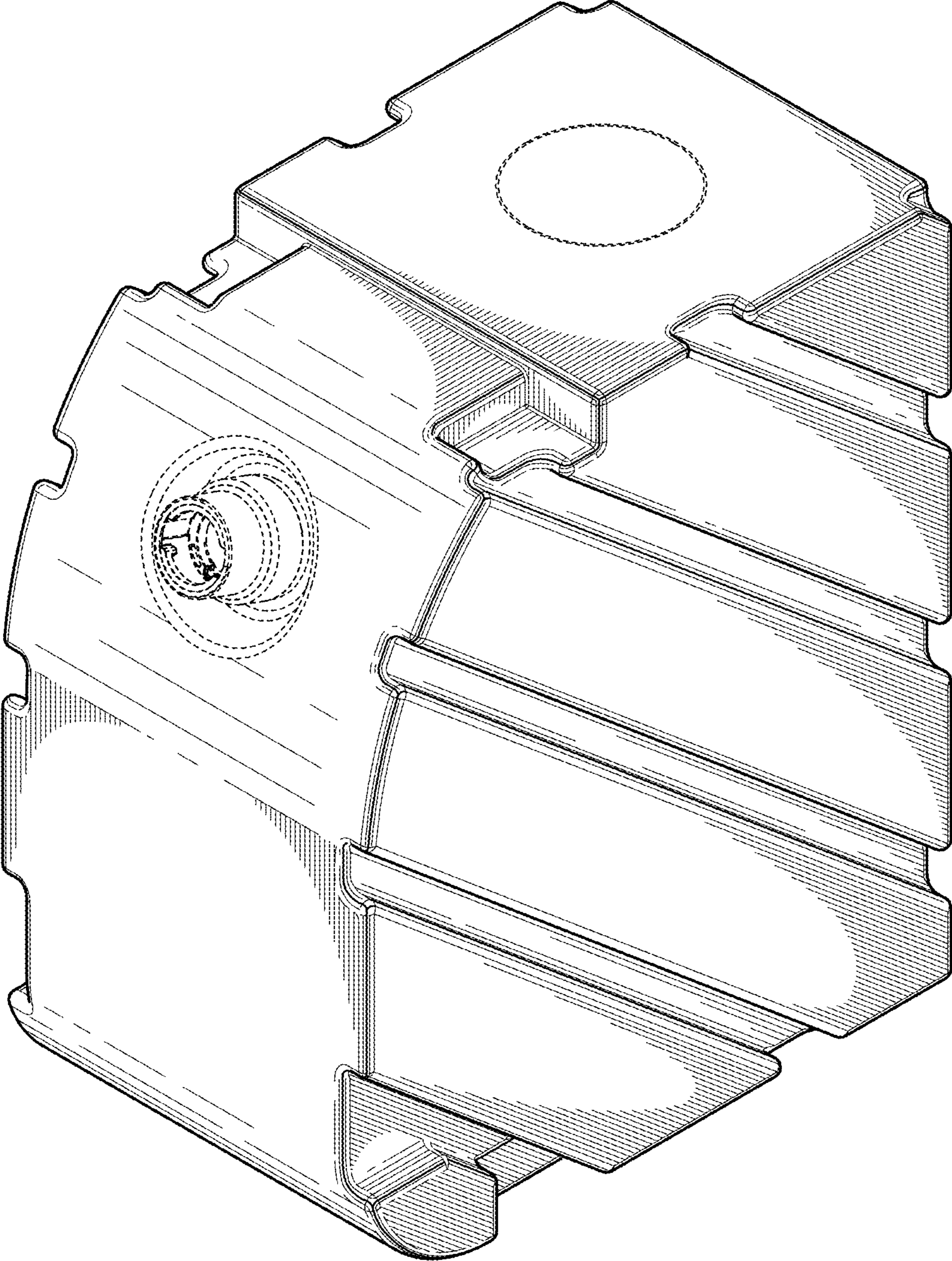


Fig. 1.

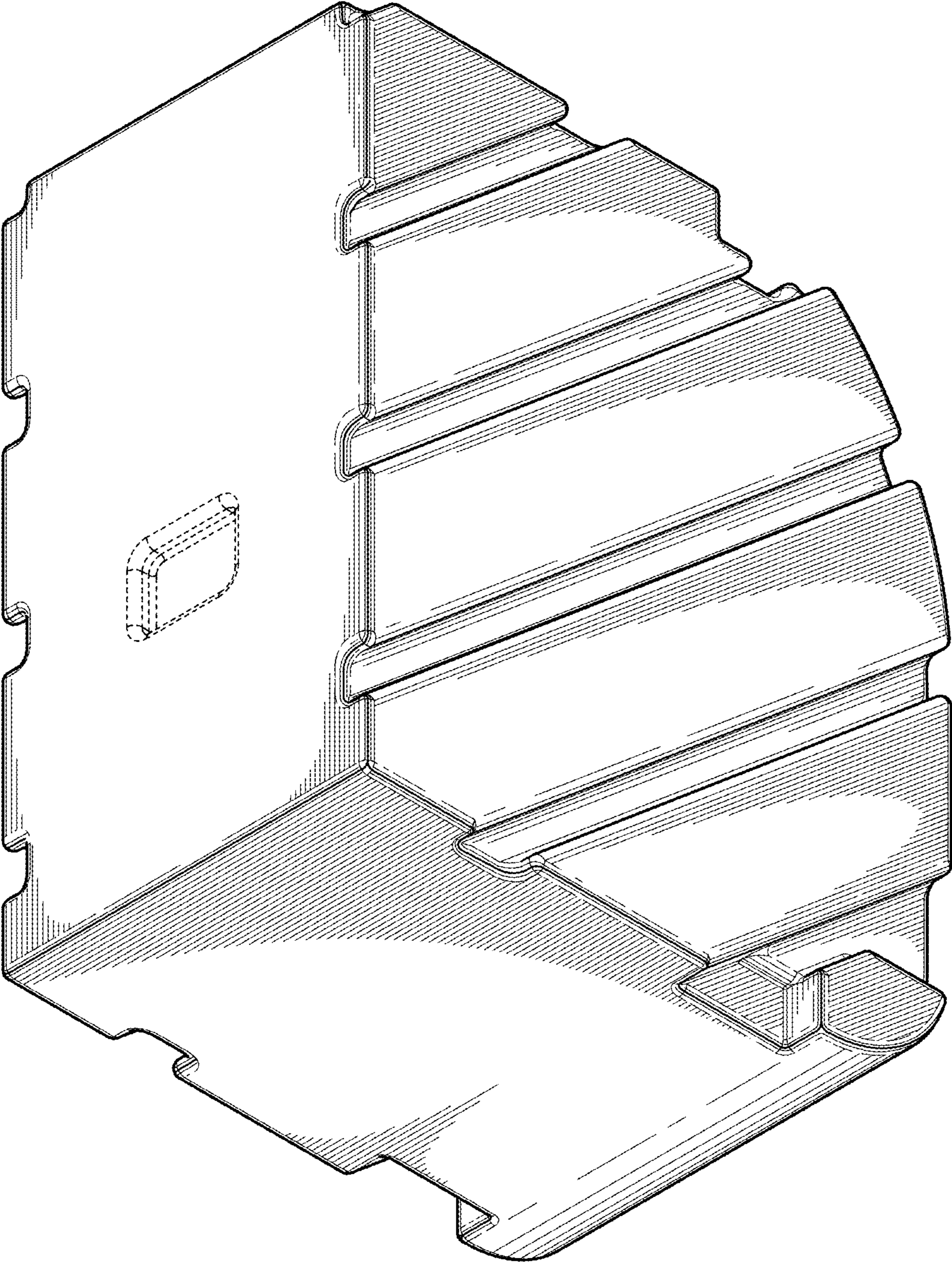


Fig. 2.

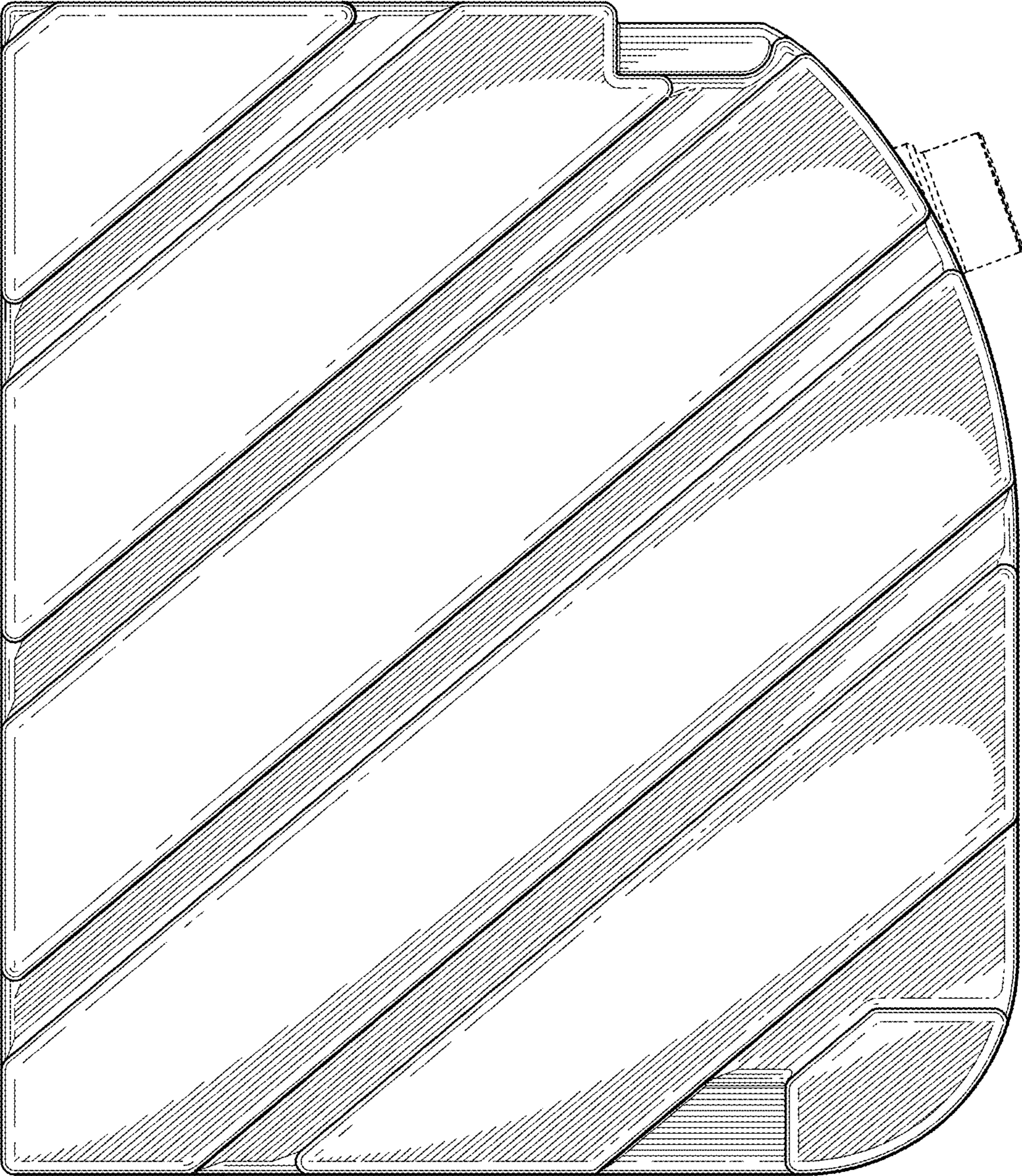


Fig. 3.

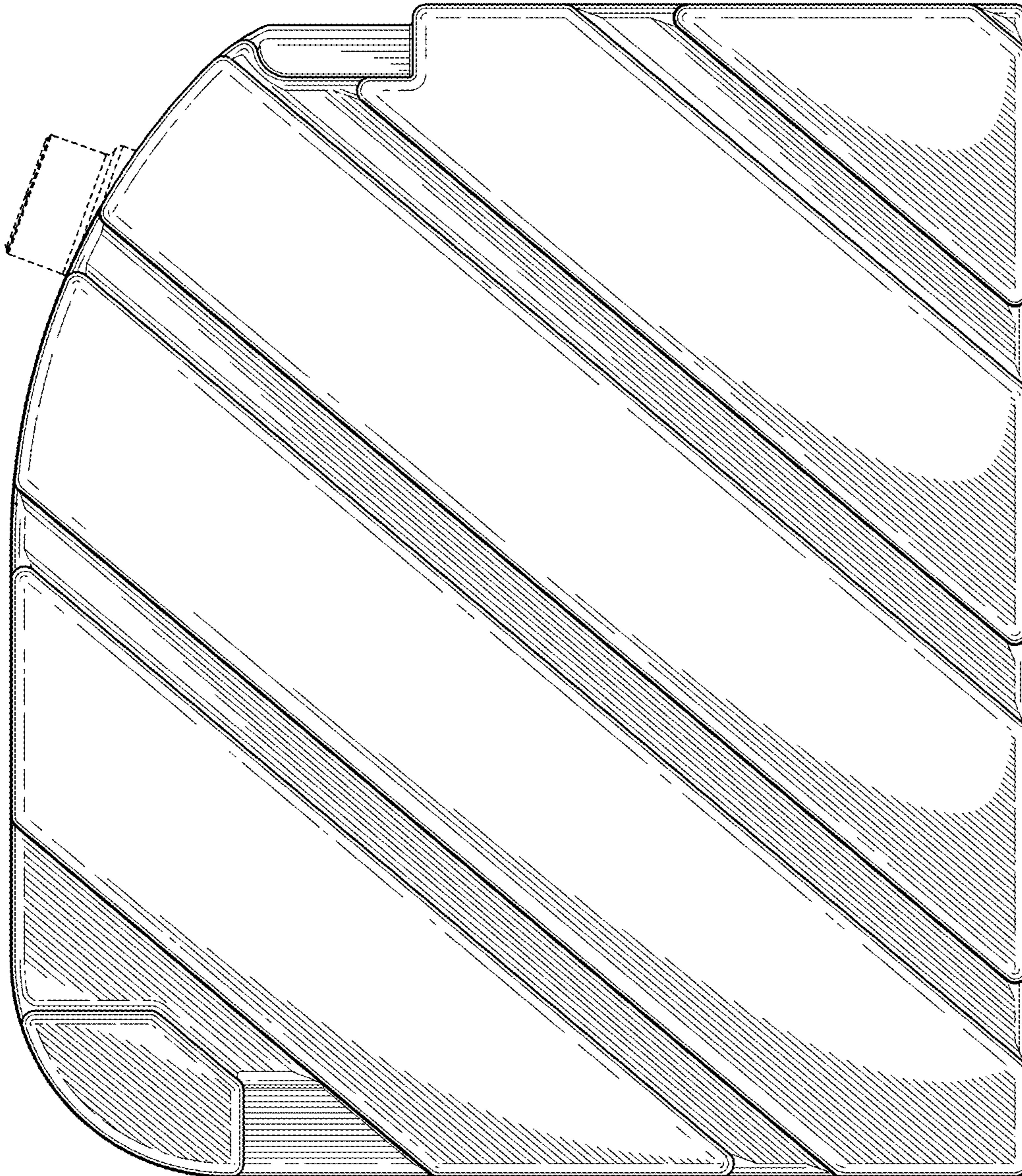


Fig. 4.

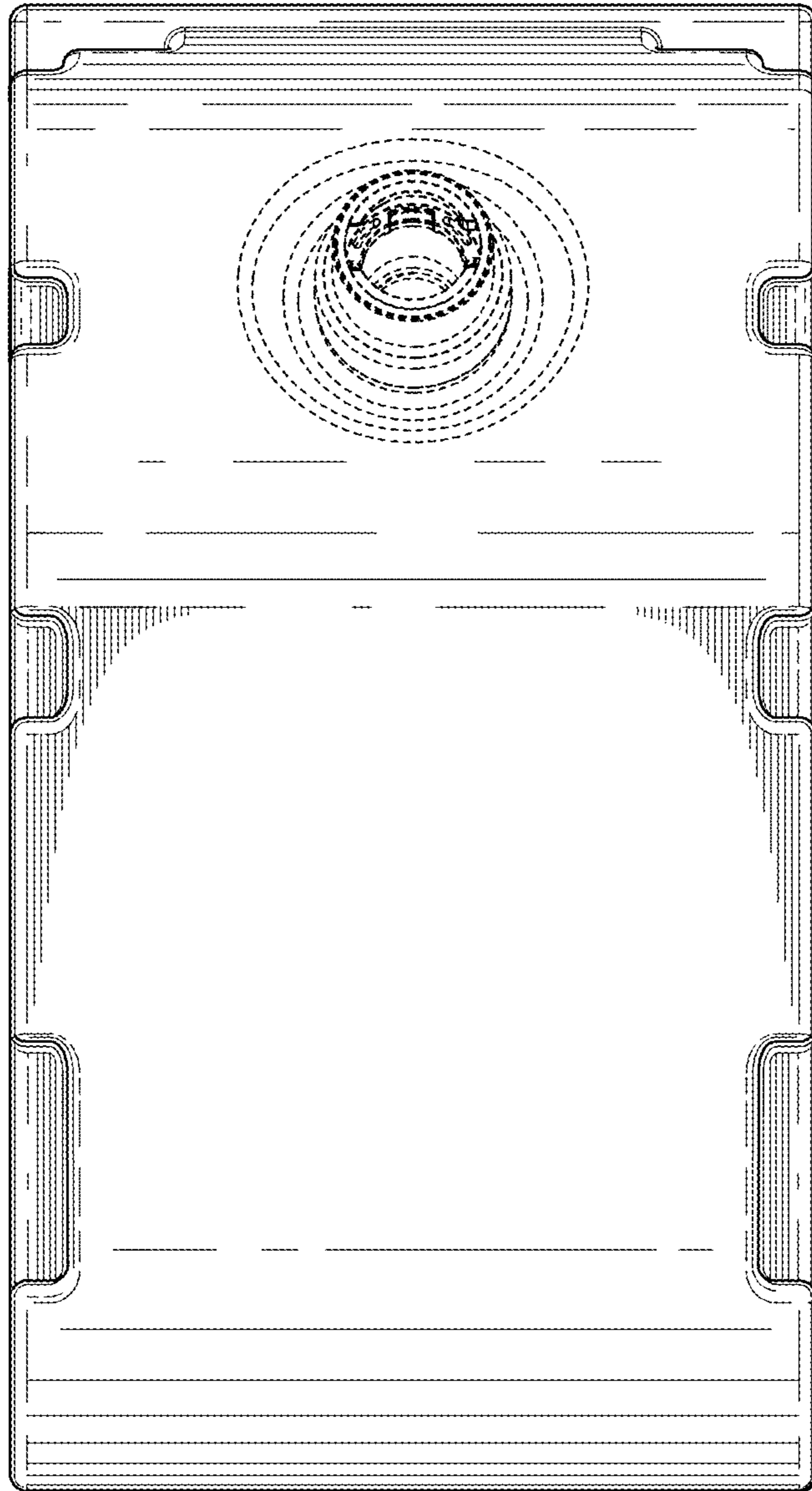


Fig. 5.

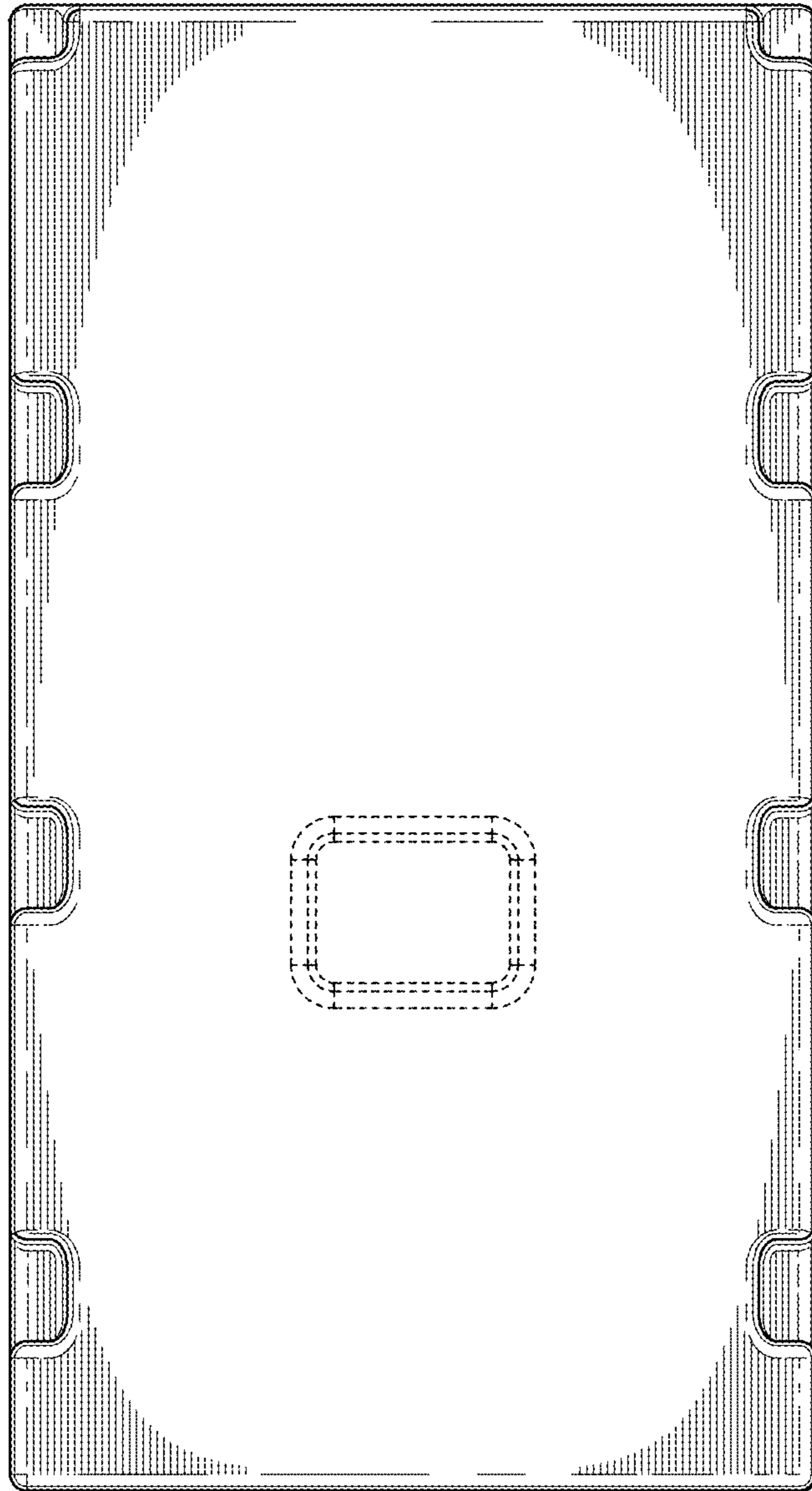


Fig. 6.

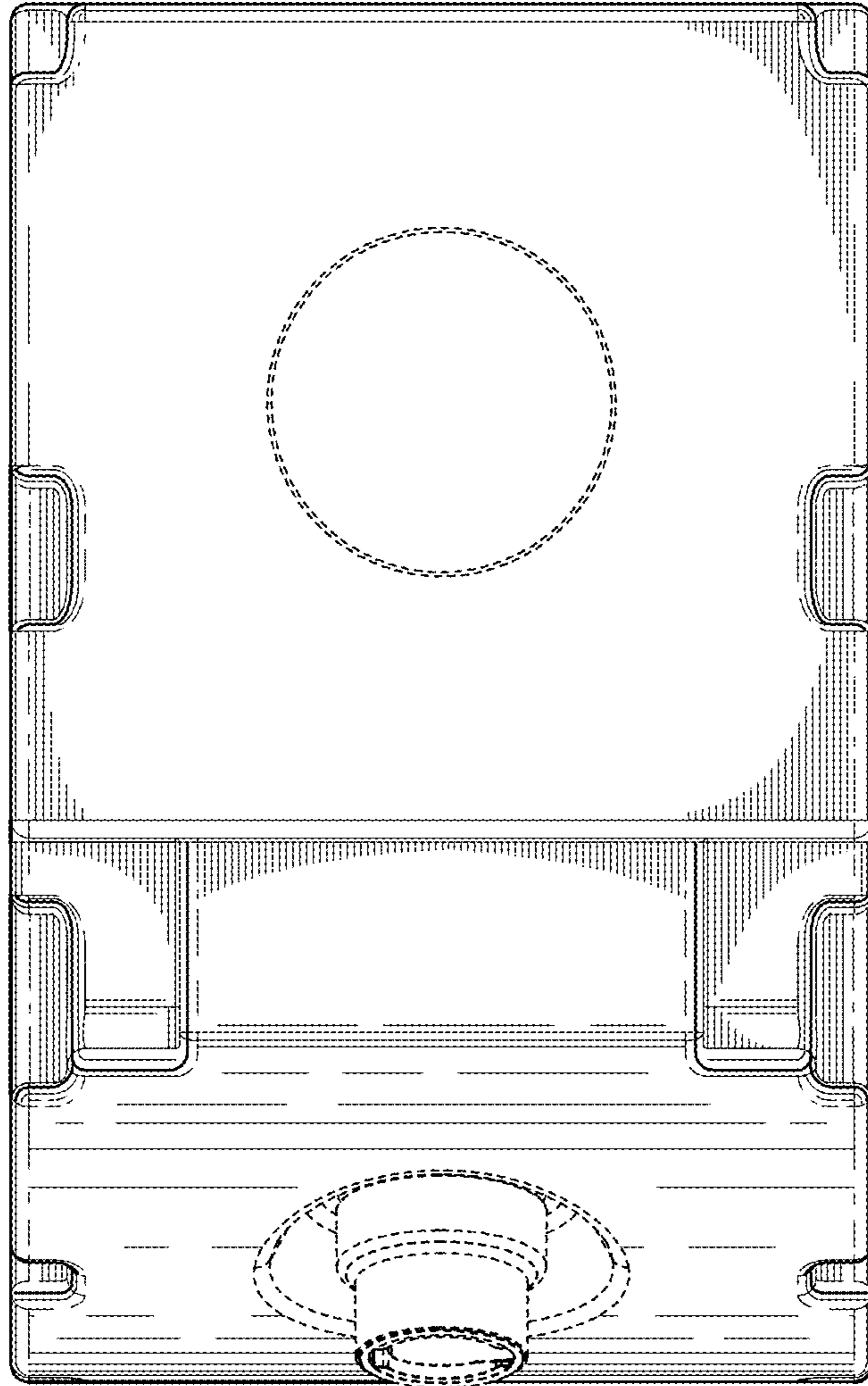


Fig. 7.

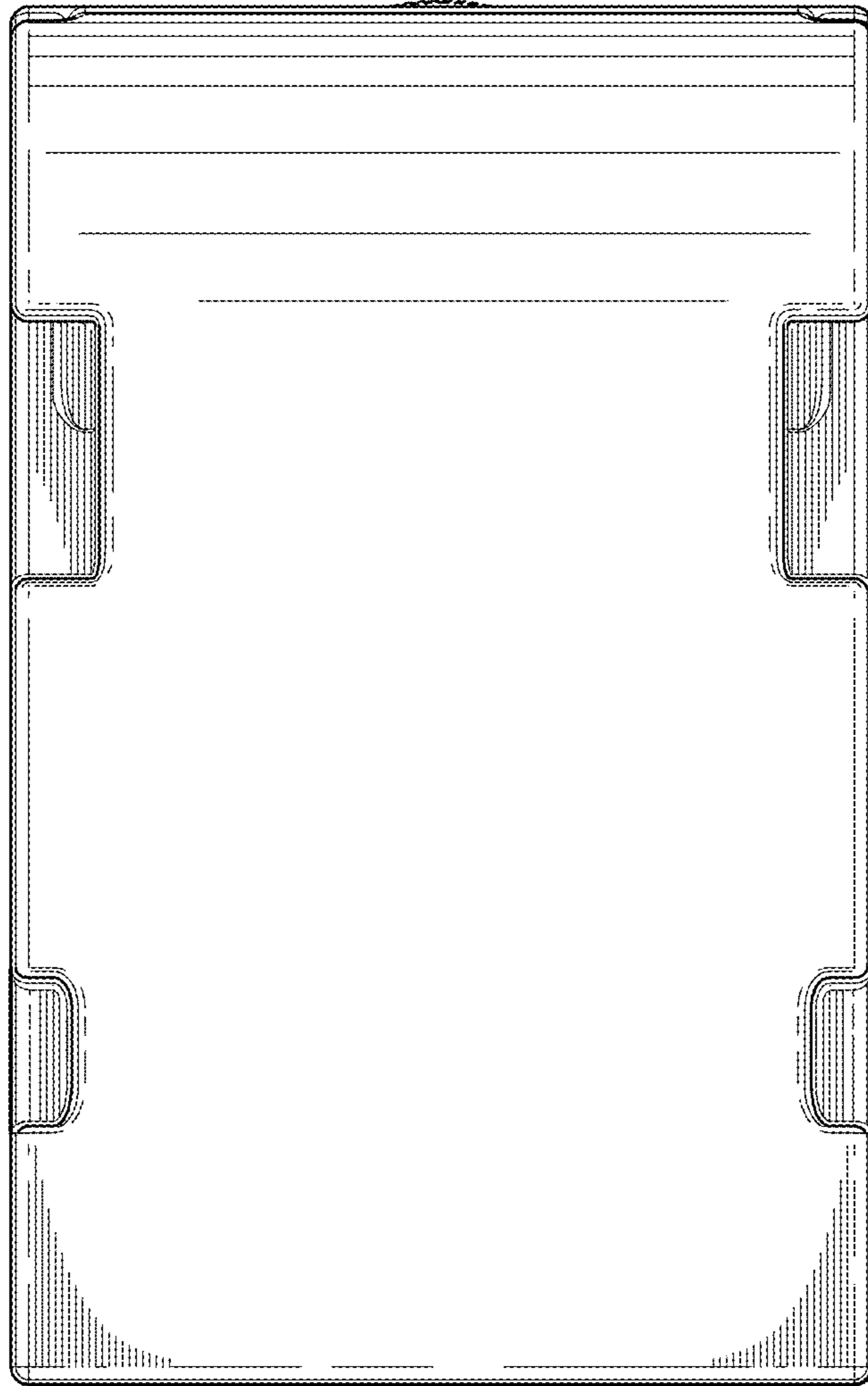


Fig. 8.