



US00D890674S

(12) **United States Design Patent**
Tafe et al.

(10) **Patent No.:** **US D890,674 S**

(45) **Date of Patent:** **** Jul. 21, 2020**

(54) **TANK FOR AUTOMOTIVE APPLICATIONS**

6,715,626 B2 * 4/2004 Balzer B60K 15/03177
220/4.13

(71) Applicant: **RESOURCE INTERNATIONAL
INC.**, New Castle, DE (US)

D556,094 S * 11/2007 May D12/126

D644,161 S * 8/2011 Fries D12/218

D700,272 S * 2/2014 McIntosh D23/202

D702,320 S * 4/2014 Pifer D23/233

D717,721 S * 11/2014 Guaresimo D12/414

D721,788 S * 1/2015 Pifer D23/233

(72) Inventors: **Dan Tafe**, Newark, DE (US); **Steve
Wiley**, Bear, DE (US)

(**) Term: **15 Years**

* cited by examiner

(21) Appl. No.: **29/666,416**

Primary Examiner — Darlington Ly

(74) *Attorney, Agent, or Firm* — Cozen O'Connor

(22) Filed: **Oct. 12, 2018**

(57) **CLAIM**

(51) **LOC (12) Cl.** **12-06**

The ornamental design for a tank for automotive applica-
tions, as shown and described.

(52) **U.S. Cl.**

USPC **D12/218**

DESCRIPTION

(58) **Field of Classification Search**

USPC D12/110, 197, 218, 223; D9/435-454

CPC B60K 15/03; B60K 15/07; B62J 35/00;

B62K 11/00; B62K 11/04

See application file for complete search history.

FIG. 1 is a front elevation view of a tank for automotive
applications showing our new design;

FIG. 2 is a rear elevation view thereof;

FIG. 3 is a left side elevation view thereof;

FIG. 4 is a right side elevation view thereof;

FIG. 5 is a top plan view thereof;

FIG. 6 is a bottom plan view thereof; and,

FIG. 7 is a perspective view thereof.

The broken lines in the drawings illustrate portions of the
tank for automotive applications that form no part of the
claimed design.

(56) **References Cited**

U.S. PATENT DOCUMENTS

D208,539 S * 9/1967 Miller D12/218

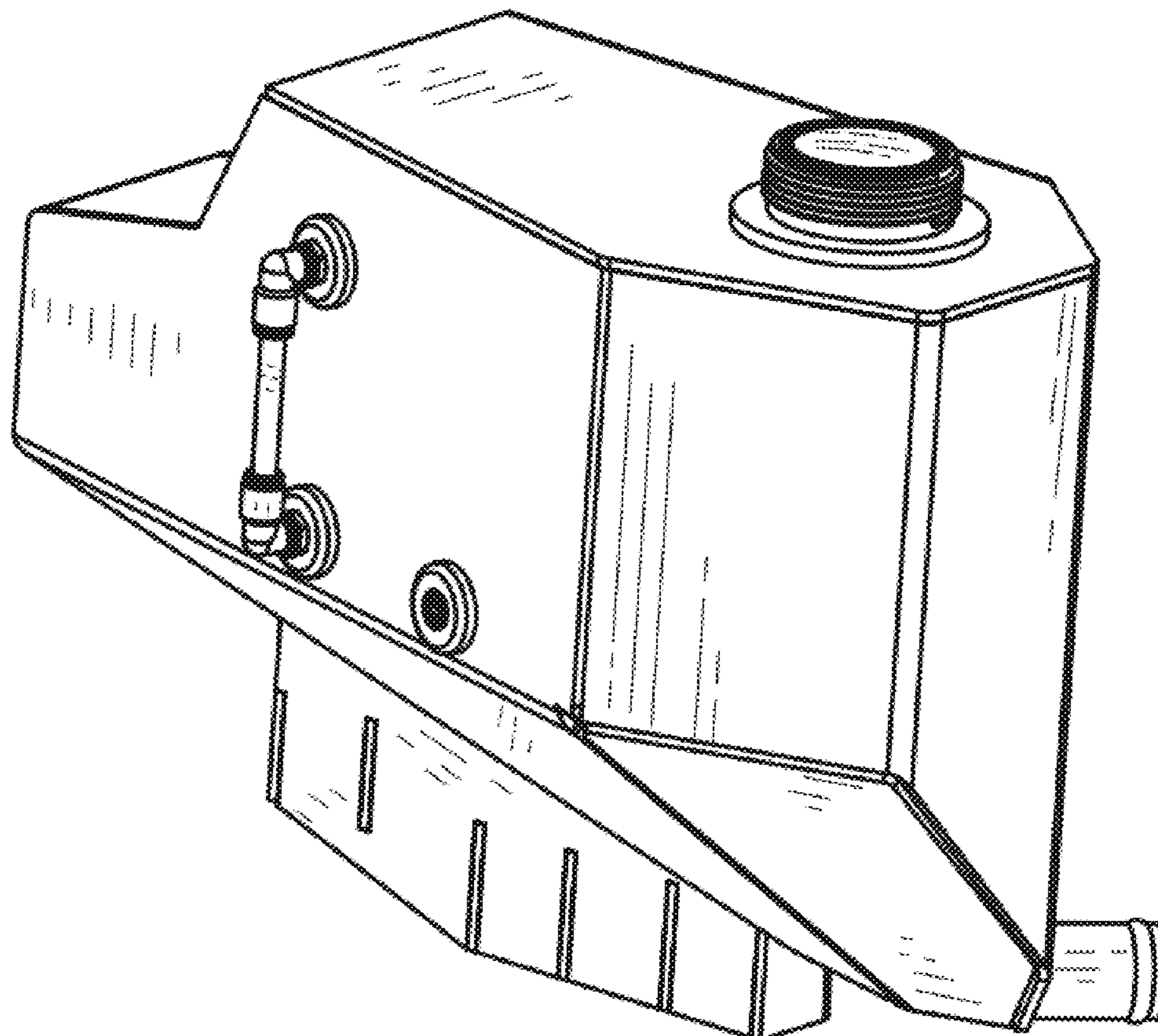
D238,940 S * 2/1976 Graeper D12/218

D238,941 S * 2/1976 Graeper D12/218

D324,138 S * 2/1992 Labonte D23/202

D372,454 S * 8/1996 Murray, Sr. D12/218

1 Claim, 4 Drawing Sheets



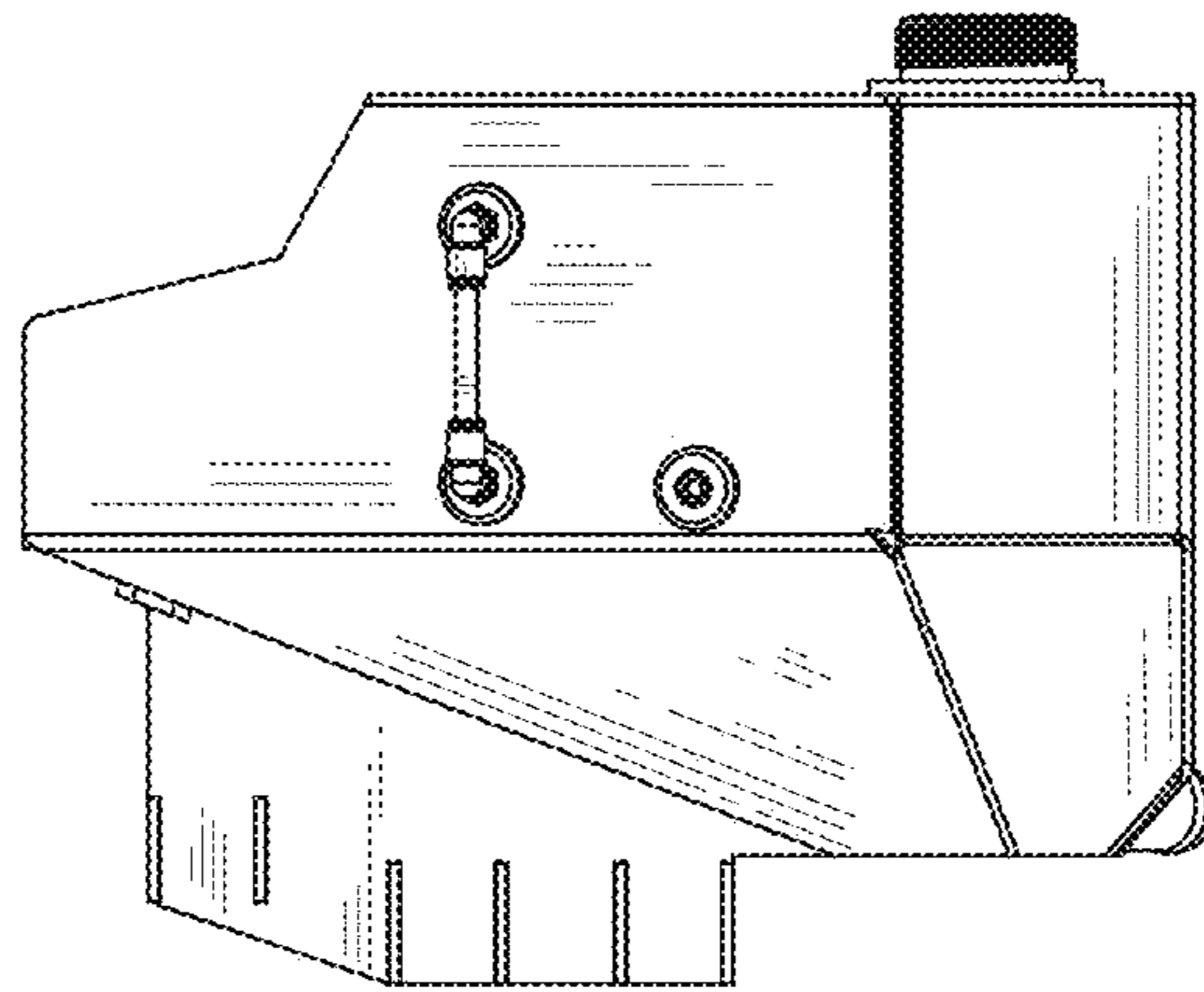


FIGURE 1

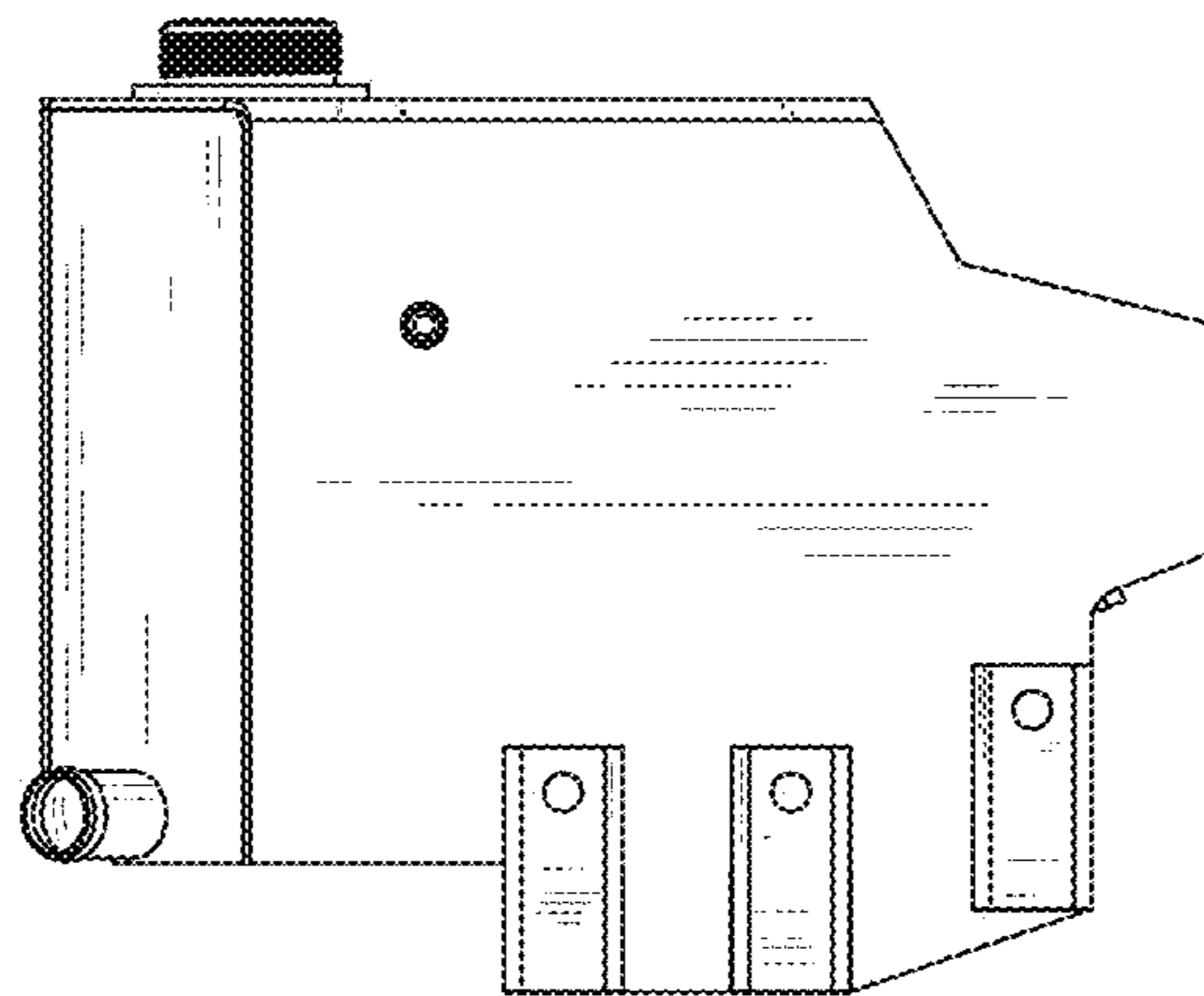


FIGURE 2

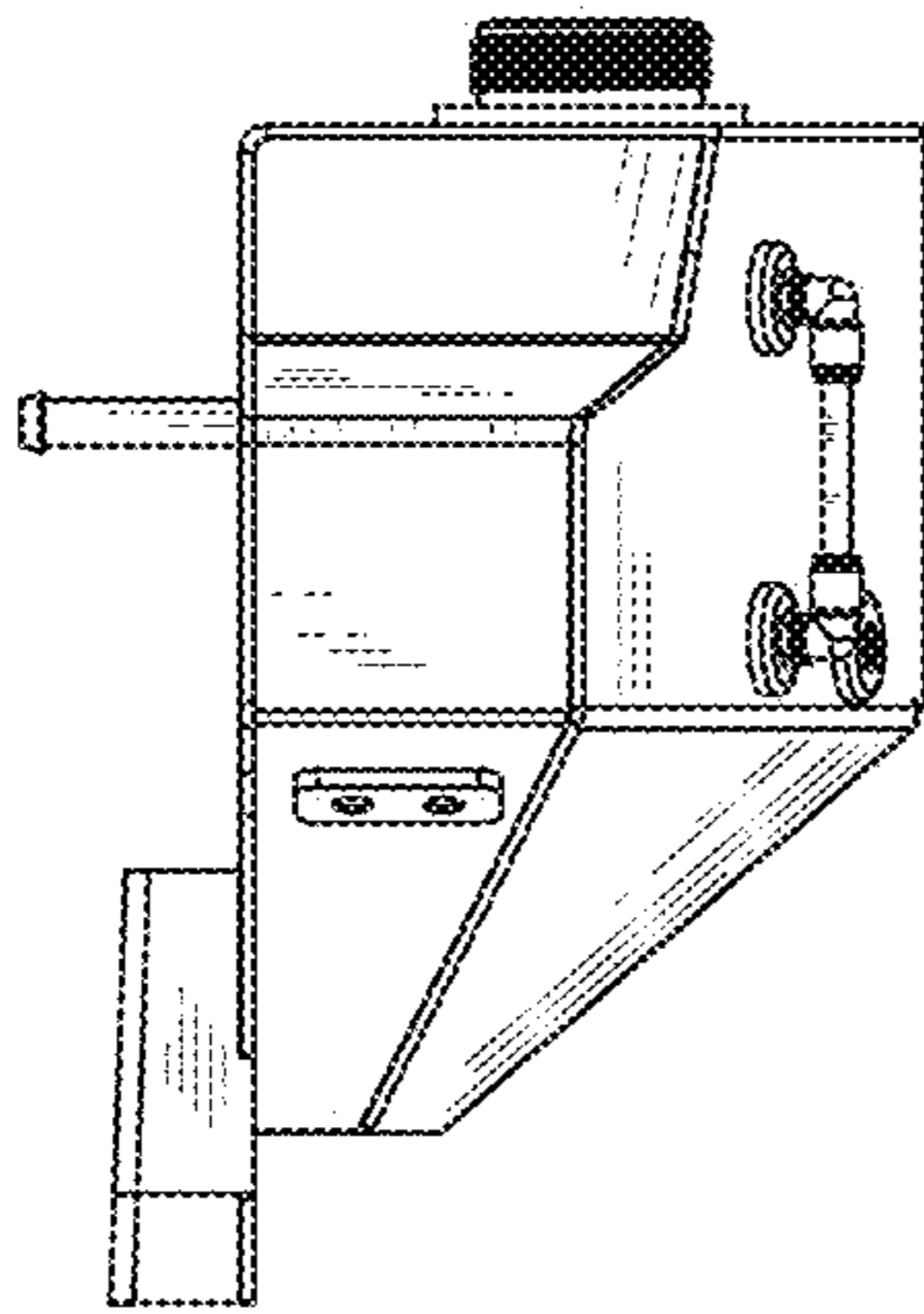


FIGURE 3

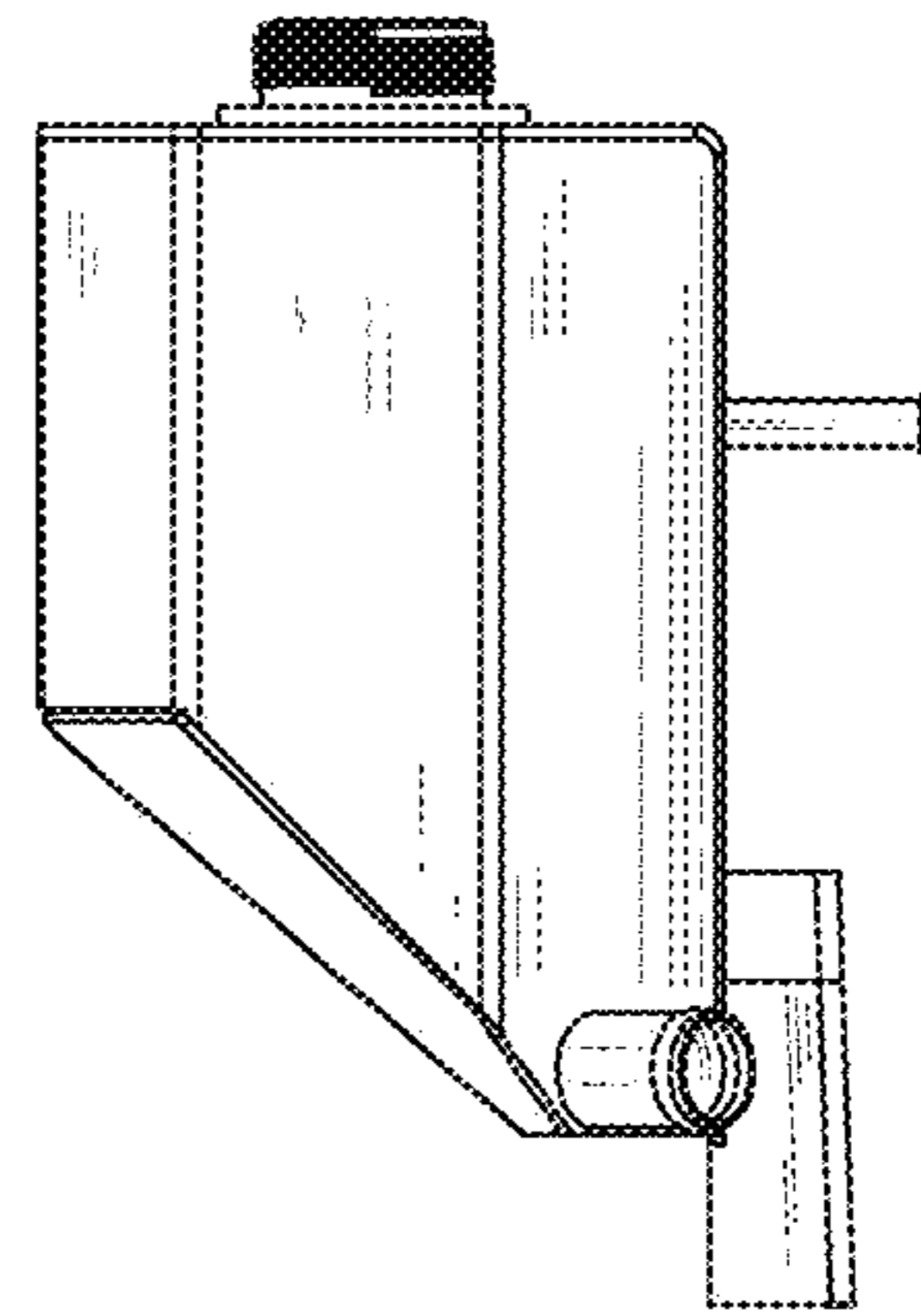


FIGURE 4

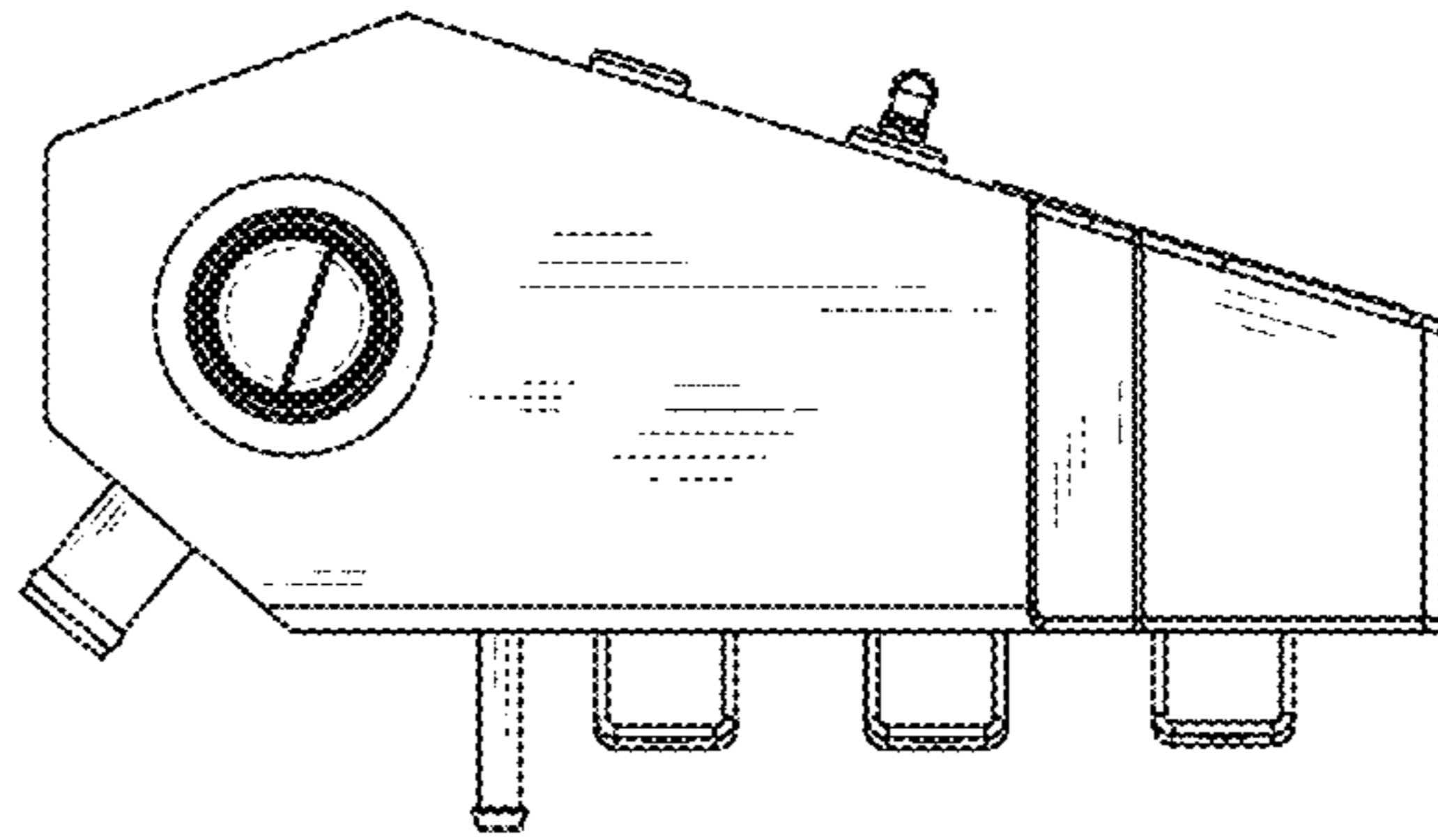


FIGURE 5

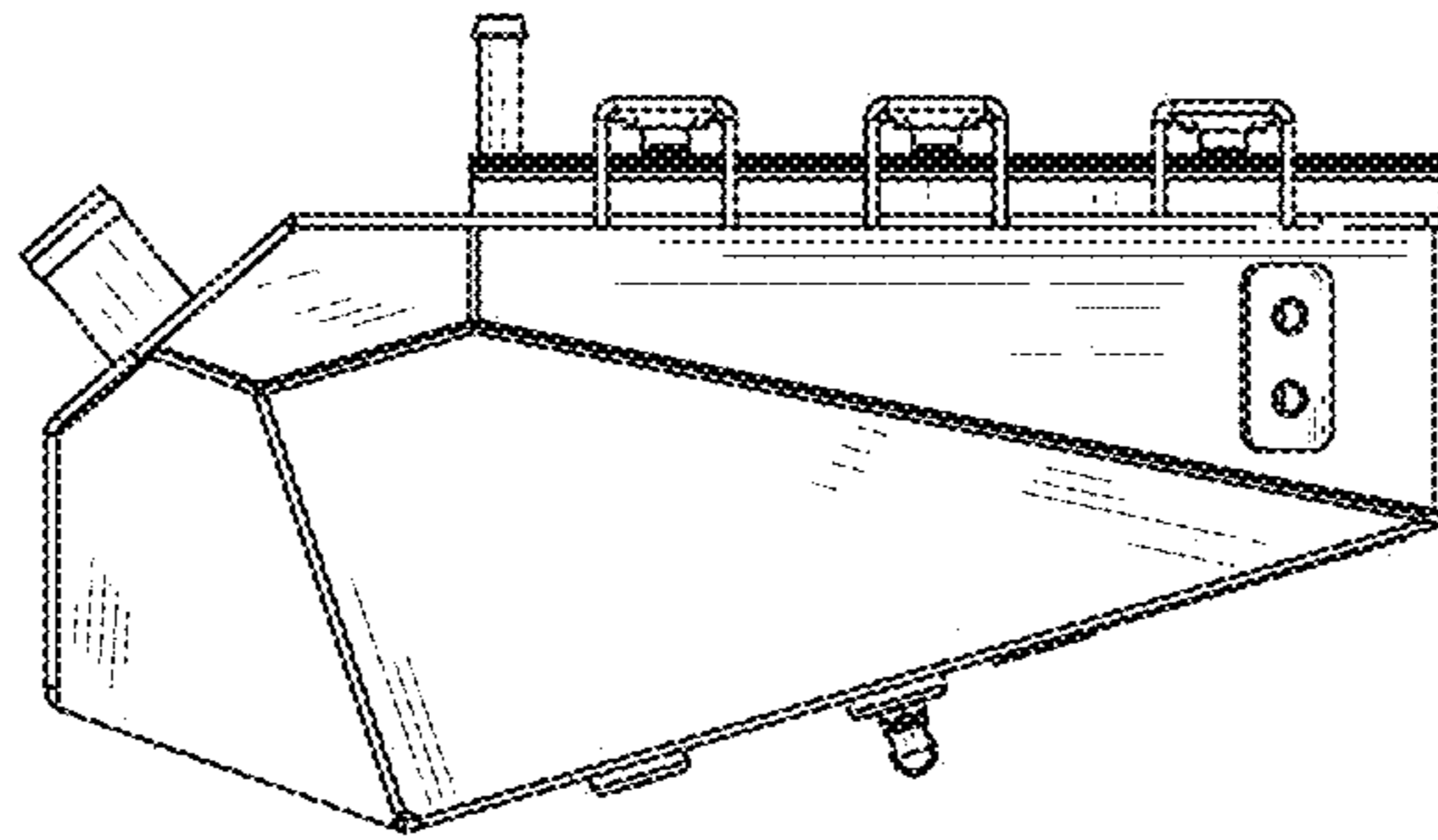


FIGURE 6

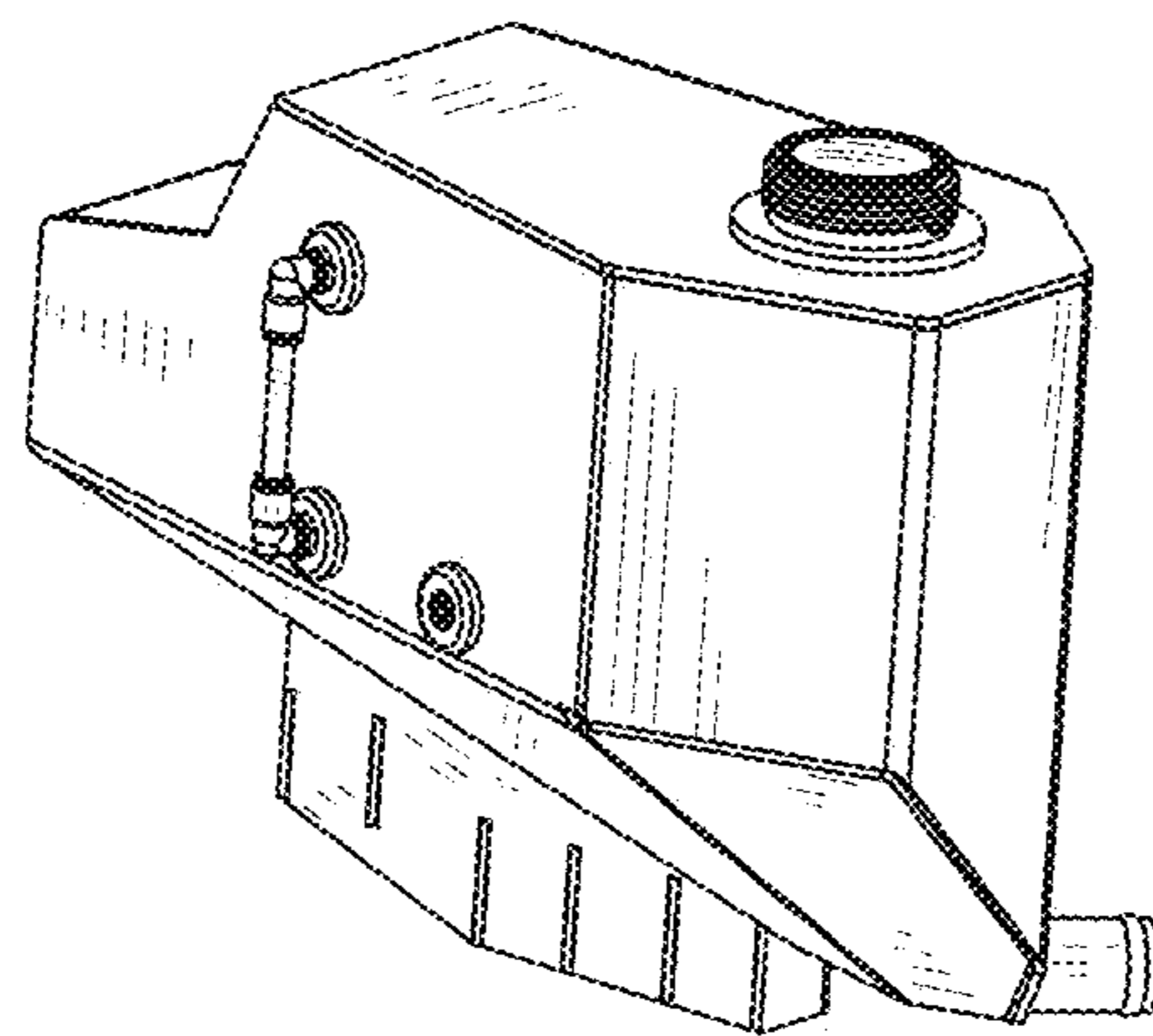


FIGURE 7