



US00D890672S

(12) **United States Design Patent**  
**Valencia Pollex**

(10) **Patent No.:** **US D890,672 S**

(45) **Date of Patent:** **\*\* Jul. 21, 2020**

(54) **VEHICLE WHEEL RIM**

(71) Applicant: **AUDI AG**, Ingolstadt (DE)

(72) Inventor: **Andreas Valencia Pollex**, Ingolstadt (DE)

(73) Assignee: **AUDI AG**, Ingolstadt (DE)

(\*\*) Term: **15 Years**

(21) Appl. No.: **29/686,942**

(22) Filed: **Apr. 9, 2019**

(30) **Foreign Application Priority Data**

Mar. 1, 2019 (EM) ..... 006 272 142

(51) **LOC (12) Cl.** ..... **12-16**

(52) **U.S. Cl.**  
USPC ..... **D12/209**

(58) **Field of Classification Search**  
USPC ..... D12/204-213; D21/563  
CPC .... B60B 7/00; B60B 7/02; B60B 7/04; B60B 7/01; B60B 7/06; B60B 3/02; B60B 3/04; B60B 3/06; B60B 3/10; B60B 1/00; B60B 1/08; B60B 1/10; B60B 1/12  
See application file for complete search history.

(56) **References Cited**

**U.S. PATENT DOCUMENTS**

D649,503 S \* 11/2011 Platto ..... D12/209  
D654,006 S \* 2/2012 Baum ..... D12/209

D663,668 S \* 7/2012 Pollmann ..... D12/209  
D673,095 S \* 12/2012 Behmer ..... D12/209  
D764,368 S \* 8/2016 Robinson ..... D12/209  
D775,574 S \* 1/2017 Maher ..... D12/209  
D780,654 S \* 3/2017 Gallert ..... D12/204  
D791,039 S \* 7/2017 Rueckheim ..... D12/209  
D797,635 S \* 9/2017 Rueckheim ..... D12/209  
D818,927 S \* 5/2018 Valencia Pollex ..... D12/209  
D840,320 S \* 2/2019 Smith ..... D12/209  
D845,201 S \* 4/2019 Schmolz ..... D12/209  
D849,637 S \* 5/2019 Henstridge ..... D12/209  
D855,000 S \* 7/2019 Gregory ..... D12/209  
D858,403 S \* 9/2019 Riccobelli ..... D12/209  
D858,412 S \* 9/2019 Daniel ..... D12/209  
D864,072 S \* 10/2019 Groth ..... D12/209  
D867,956 S \* 11/2019 Schmolz ..... D12/209

\* cited by examiner

*Primary Examiner* — Stacia A Cadmus

(74) *Attorney, Agent, or Firm* — Lucas & Mercanti, LLP;  
Klaus P. Stoffel

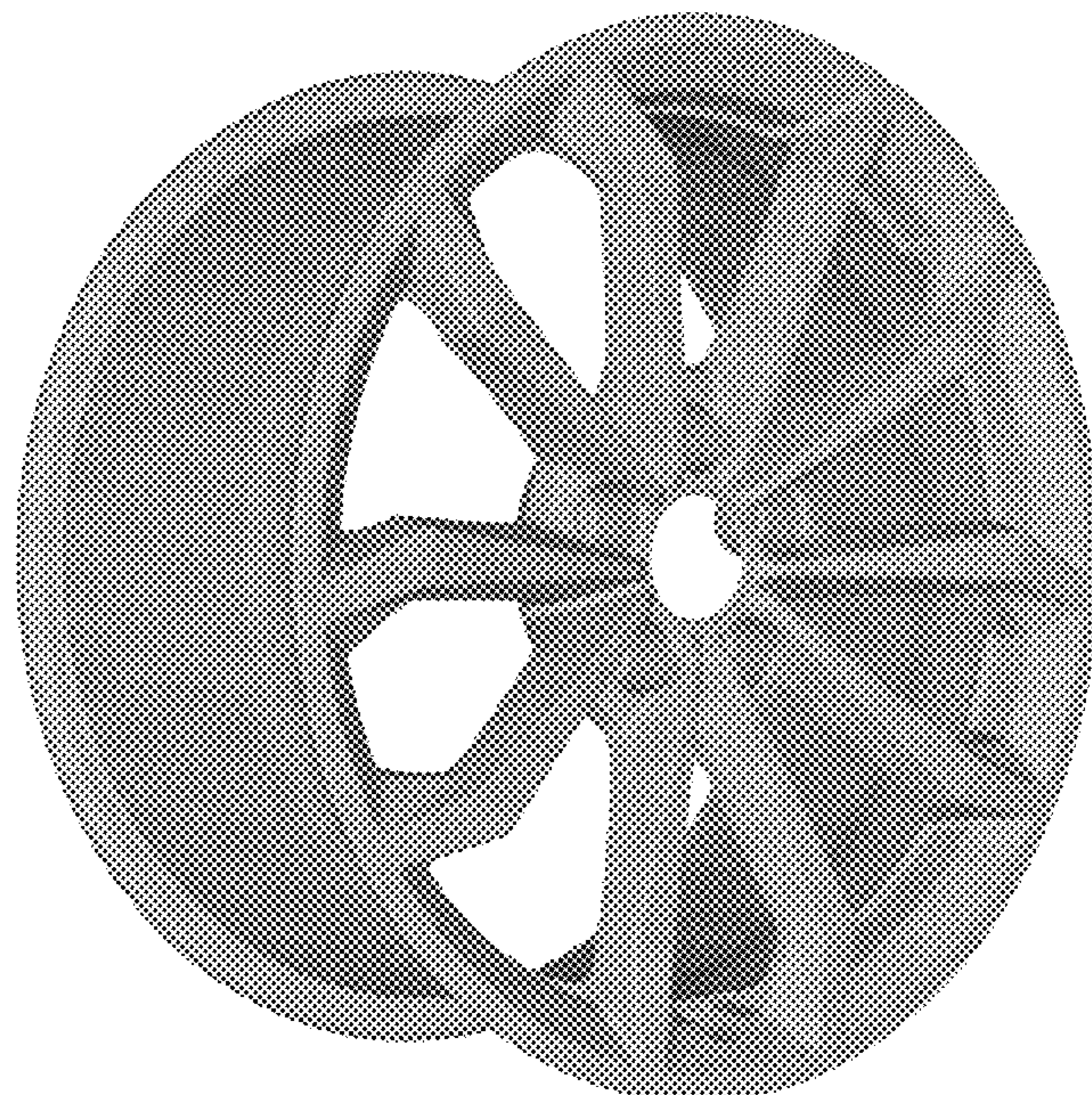
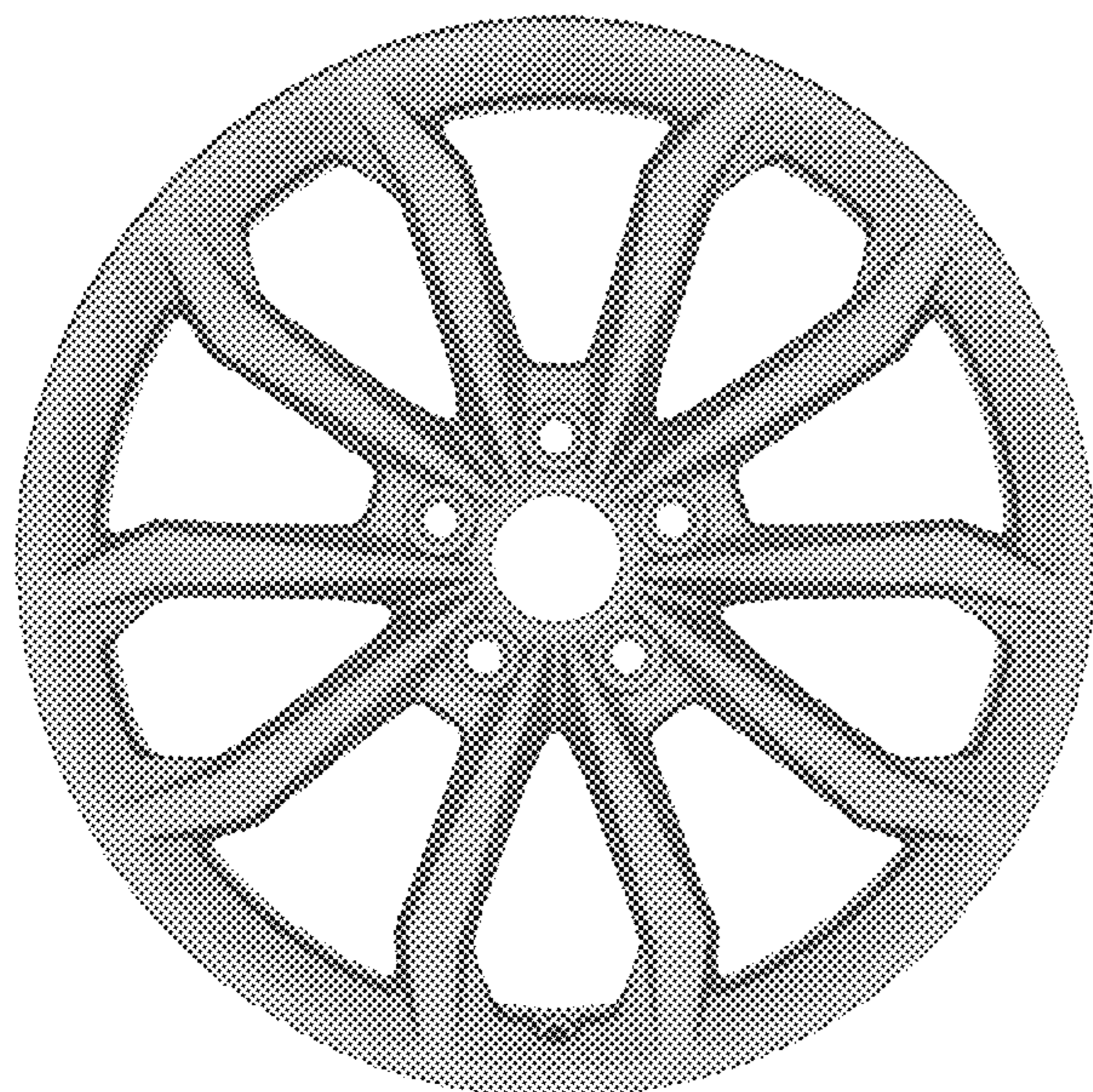
(57) **CLAIM**

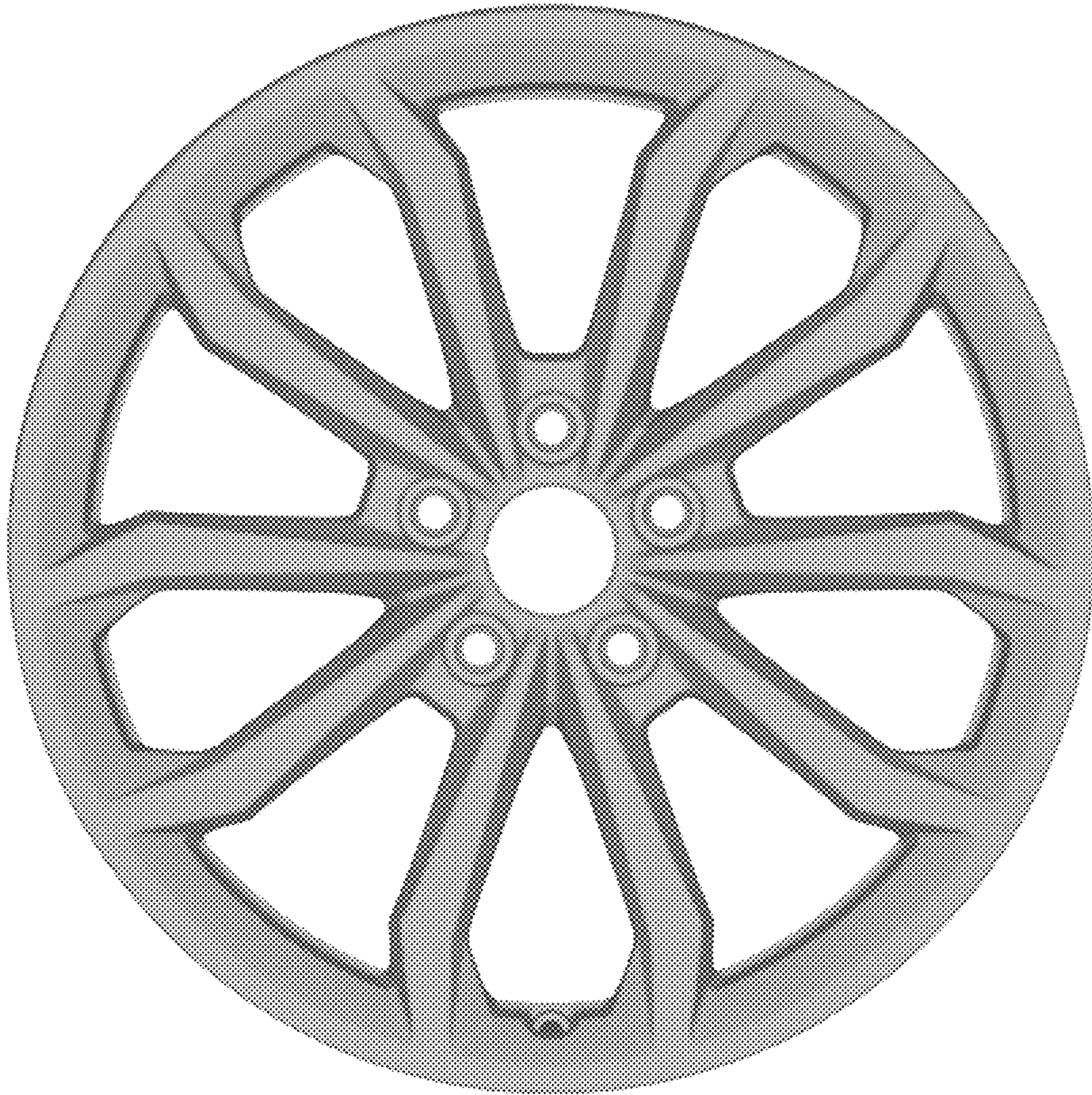
The ornamental design for a vehicle wheel rim, as shown and described.

**DESCRIPTION**

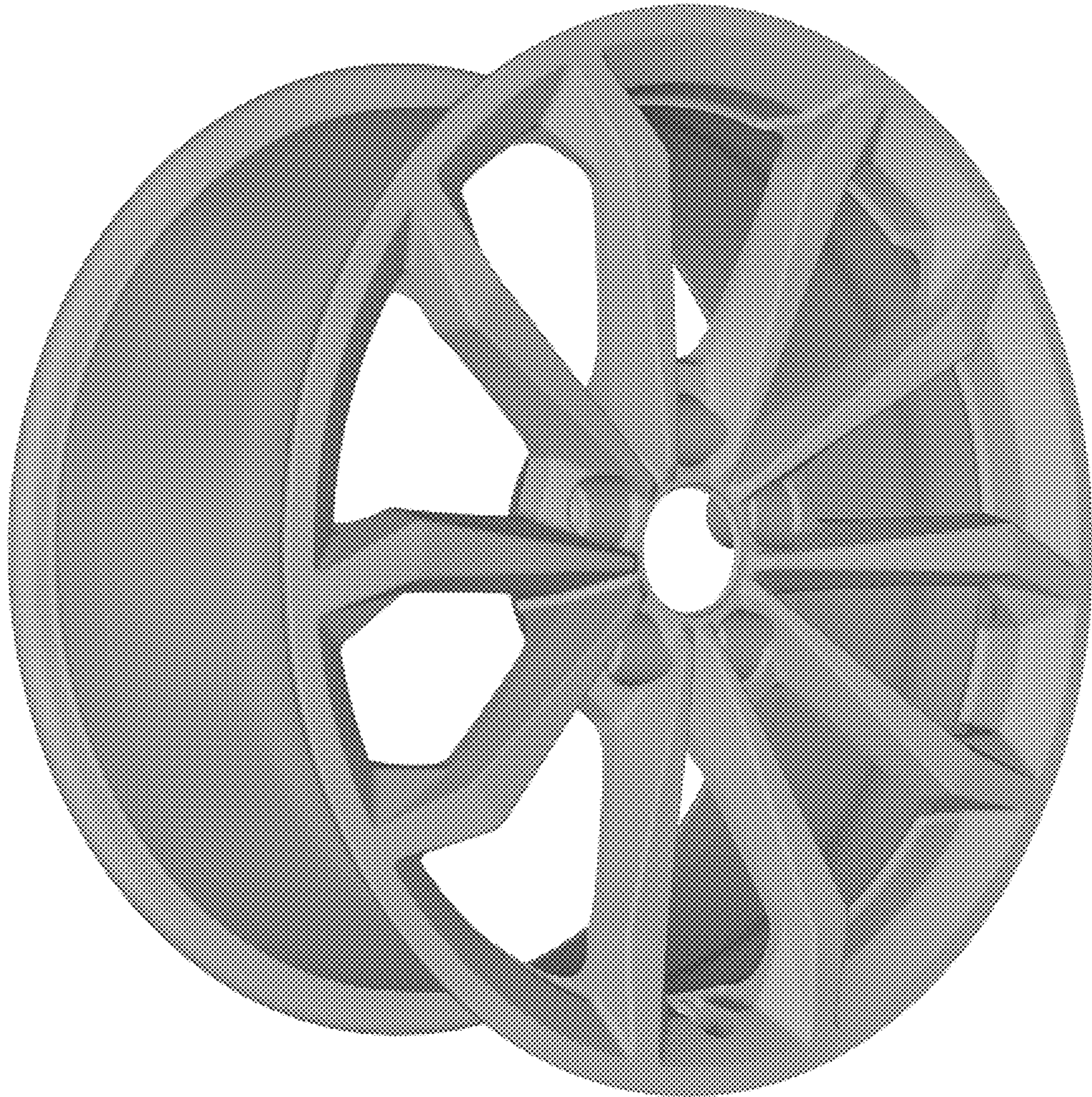
FIG. 1 is a front view of the vehicle wheel rim of the present invention; and,  
FIG. 2 is a front, side perspective view thereof.

**1 Claim, 2 Drawing Sheets**





**Fig. 1**



**Fig. 2**