



US00D890671S

(12) **United States Design Patent**  
**DiCanzio**

(10) **Patent No.:** **US D890,671 S**

(45) **Date of Patent:** **\*\* \*Jul. 21, 2020**

(54) **SIDE STEP**

(71) Applicant: **Turn 5, Inc.**, Paoli, PA (US)

(72) Inventor: **Michael DiCanzio**, West Chester, PA (US)

(73) Assignee: **Turn 5, Inc.**, Paoli, PA (US)

(\*) Notice: This patent is subject to a terminal disclaimer.

(\*\*) Term: **15 Years**

(21) Appl. No.: **29/658,475**

(22) Filed: **Jul. 31, 2018**

(51) **LOC (12) Cl.** ..... **12-16**

(52) **U.S. Cl.**  
USPC ..... **D12/203**

(58) **Field of Classification Search**  
USPC ..... D12/203, 89, 98, 314, 162, 190, 196  
CPC .. B60R 3/002; B60R 3/02; B60R 3/00; B60R 3/005; B60R 3/007  
See application file for complete search history.

(56) **References Cited**

**U.S. PATENT DOCUMENTS**

D395,268 S *	6/1998	Tucker	.....	D12/203
D474,435 S *	5/2003	Lund	.....	D12/203
D488,759 S *	4/2004	Hattori	.....	D12/203
D495,283 S *	8/2004	Ashley	.....	D12/203
D546,745 S *	7/2007	Storer	.....	D12/203
D568,222 S *	5/2008	Storer	.....	D12/203
D594,564 S *	6/2009	Disch	.....	D25/69
D671,874 S *	12/2012	Kekich, Jr.	.....	D12/203
D717,708 S *	11/2014	Romero	.....	D12/203

D727,820 S *	4/2015	Wegener	.....	D12/203
D737,746 S *	9/2015	Wegener	.....	D12/203
D741,769 S *	10/2015	Turner	.....	D12/203
D789,857 S *	6/2017	Hare	.....	D12/203
D789,858 S *	6/2017	Hare	.....	D12/203
D800,622 S *	10/2017	Ito	.....	D12/203
D818,923 S *	5/2018	Baeza	.....	D12/203
10,011,231 B1 *	7/2018	Wymore	.....	B60R 3/002
D833,940 S *	11/2018	DiCanzio	.....	D12/203
2011/0266766 A1 *	11/2011	Huang-Tsai	.....	B60R 3/00280/169
2013/0201714 A1 *	8/2013	Huang-Tsai	.....	B60Q 1/323362/545

\* cited by examiner

*Primary Examiner* — Michelle E. Wilson

*Assistant Examiner* — Clese Moore, Jr.

(74) *Attorney, Agent, or Firm* — Schott, P.C.

(57) **CLAIM**

The ornamental design for the side step, as shown and described.

**DESCRIPTION**

FIG. 1 is a perspective view of the side step of the present invention;

FIG. 2 is a front view thereof;

FIG. 3 is a rear view thereof;

FIG. 4 is a top view thereof;

FIG. 5 is a bottom view thereof;

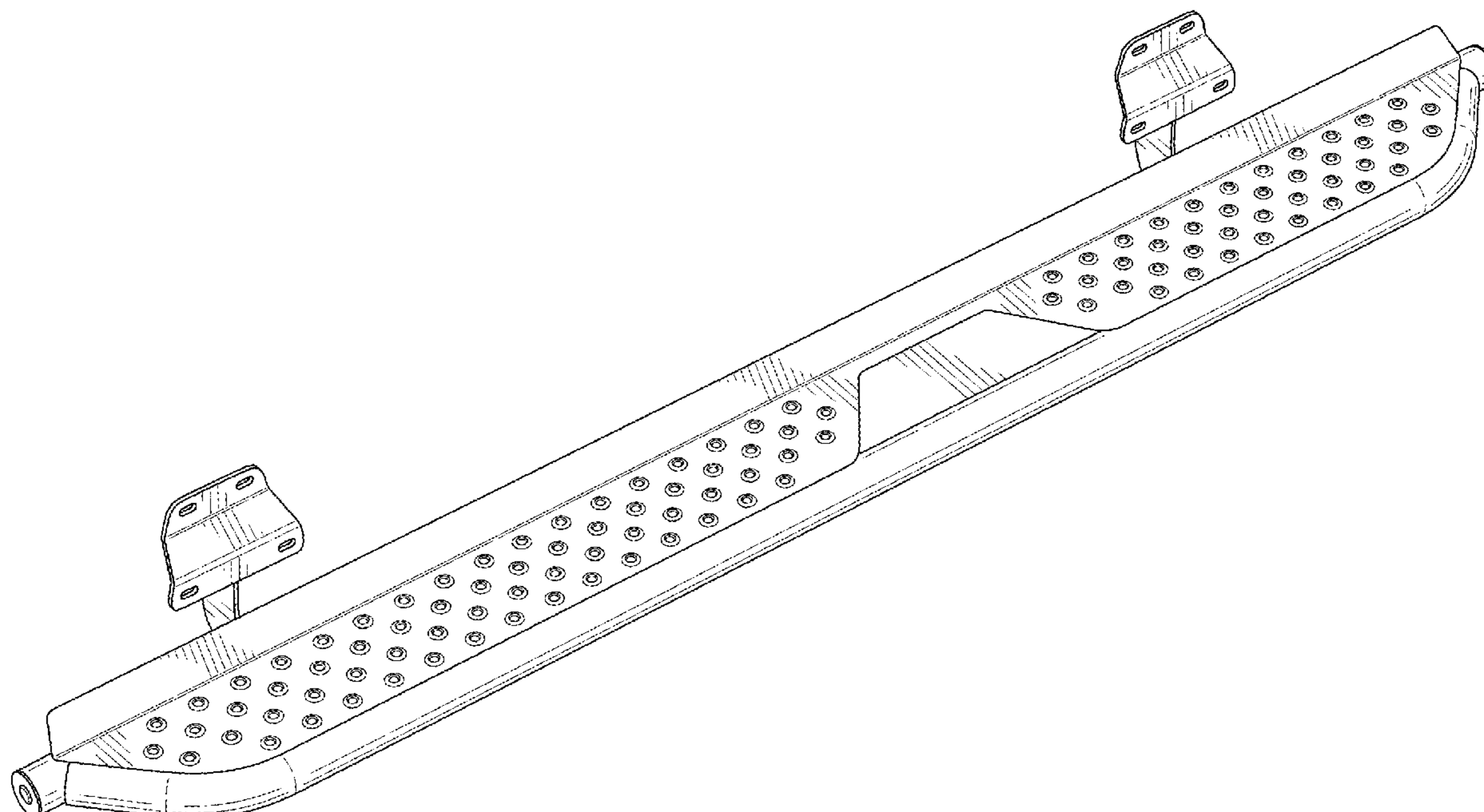
FIG. 6 is a right side view thereof;

FIG. 7 is a left side view thereof; and,

FIG. 8 is a perspective view of the side step in a potential environment.

The broken lines illustrate the design's environment and form no part of the claimed design.

**1 Claim, 5 Drawing Sheets**



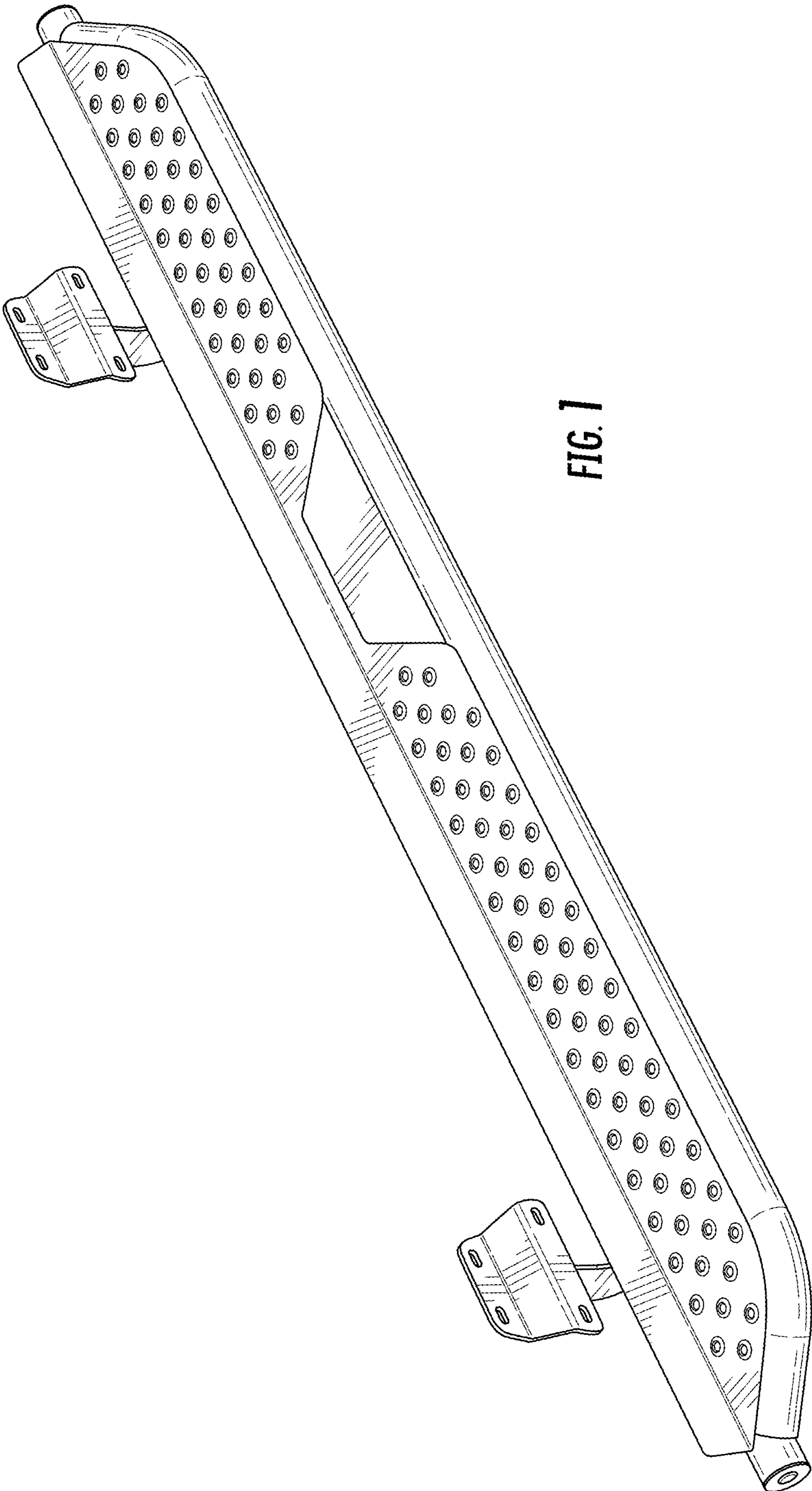


FIG. 1

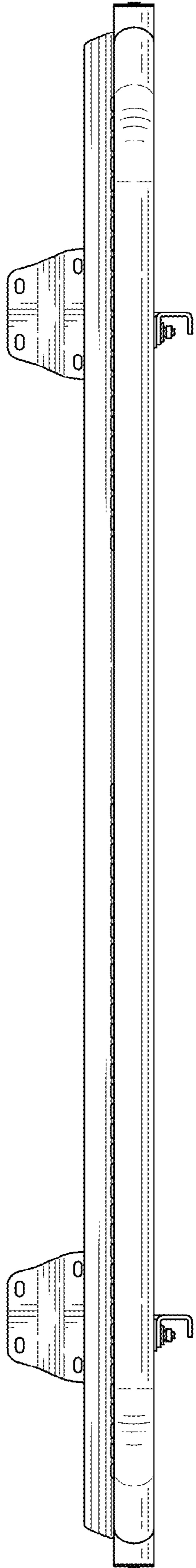


FIG. 2

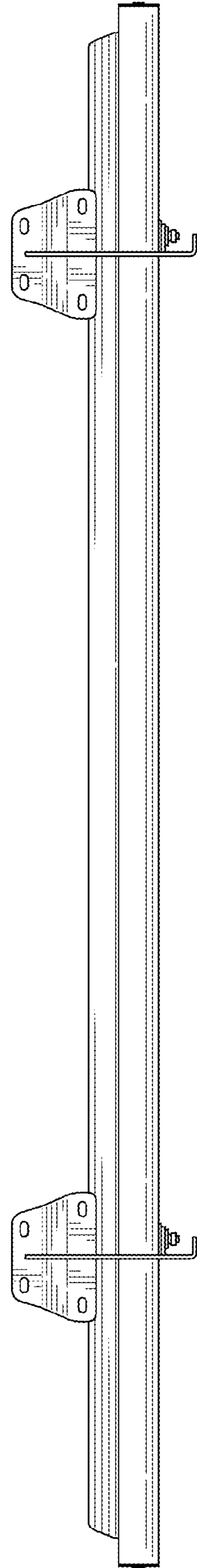


FIG. 3

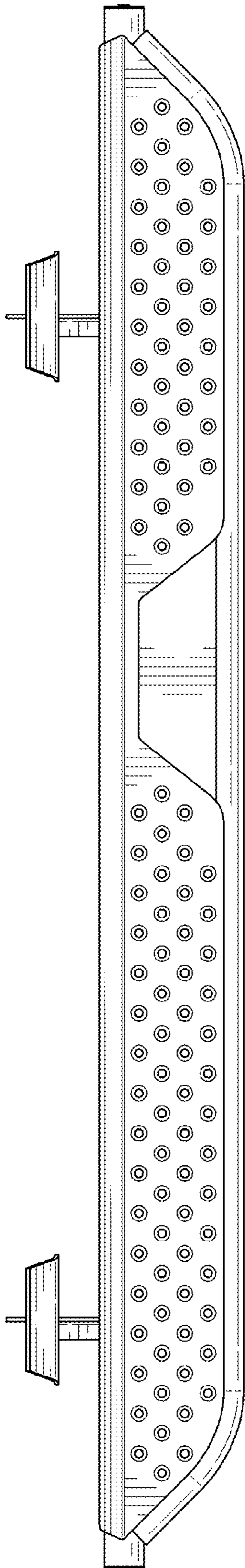


FIG. 4

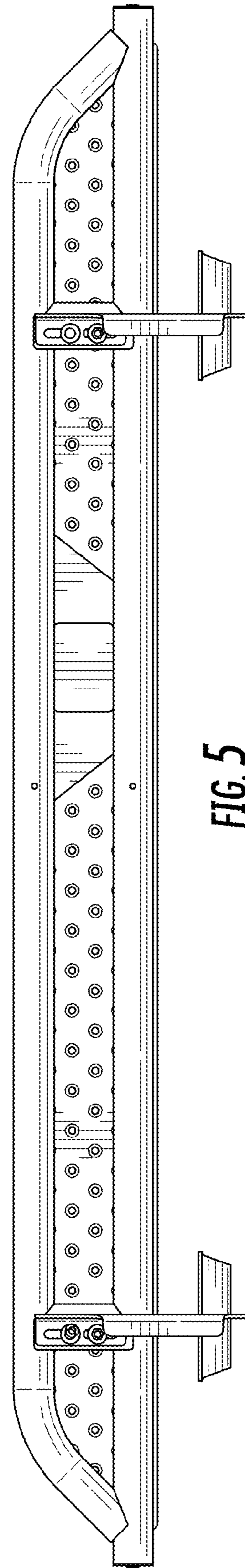


FIG. 5

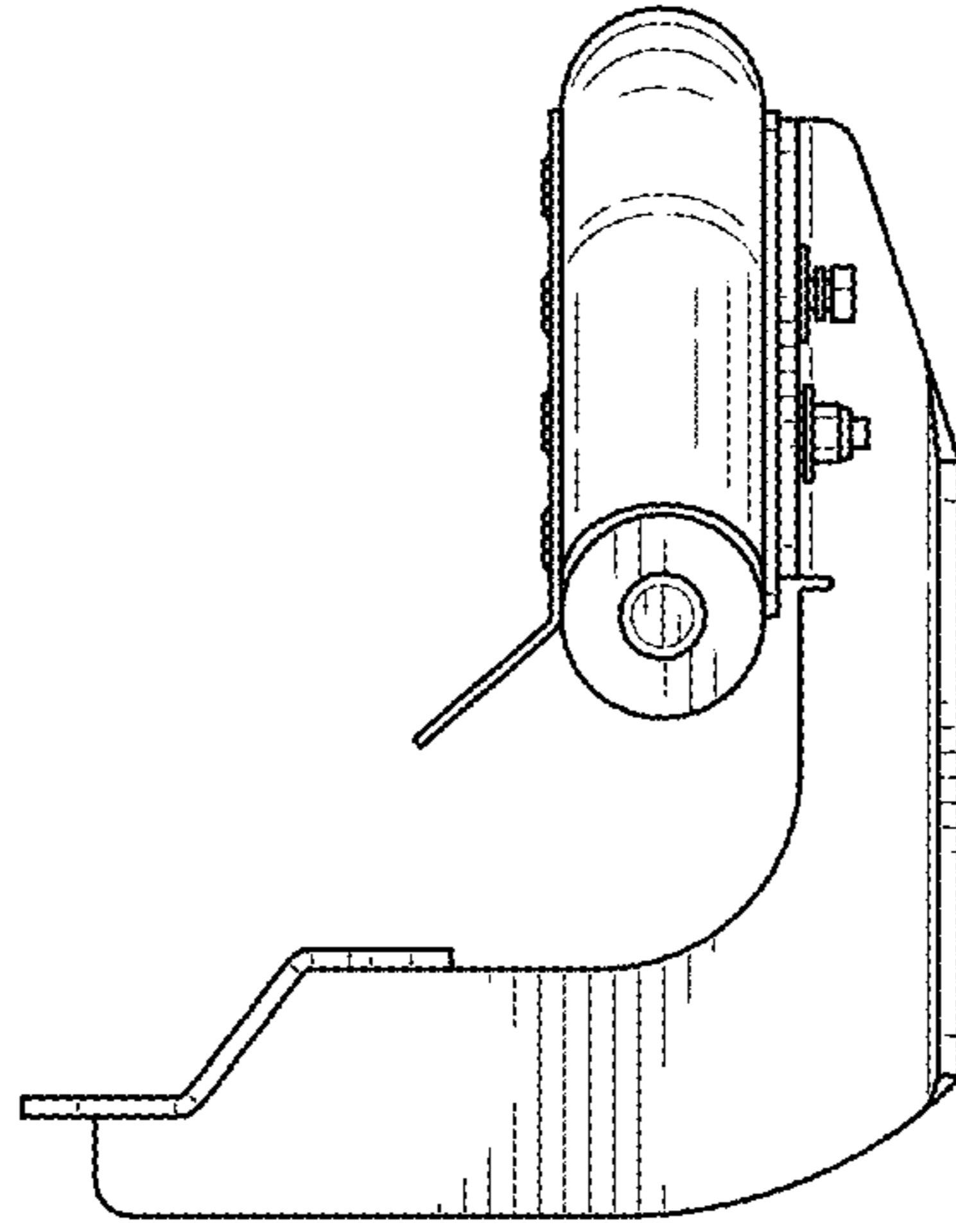


FIG. 6

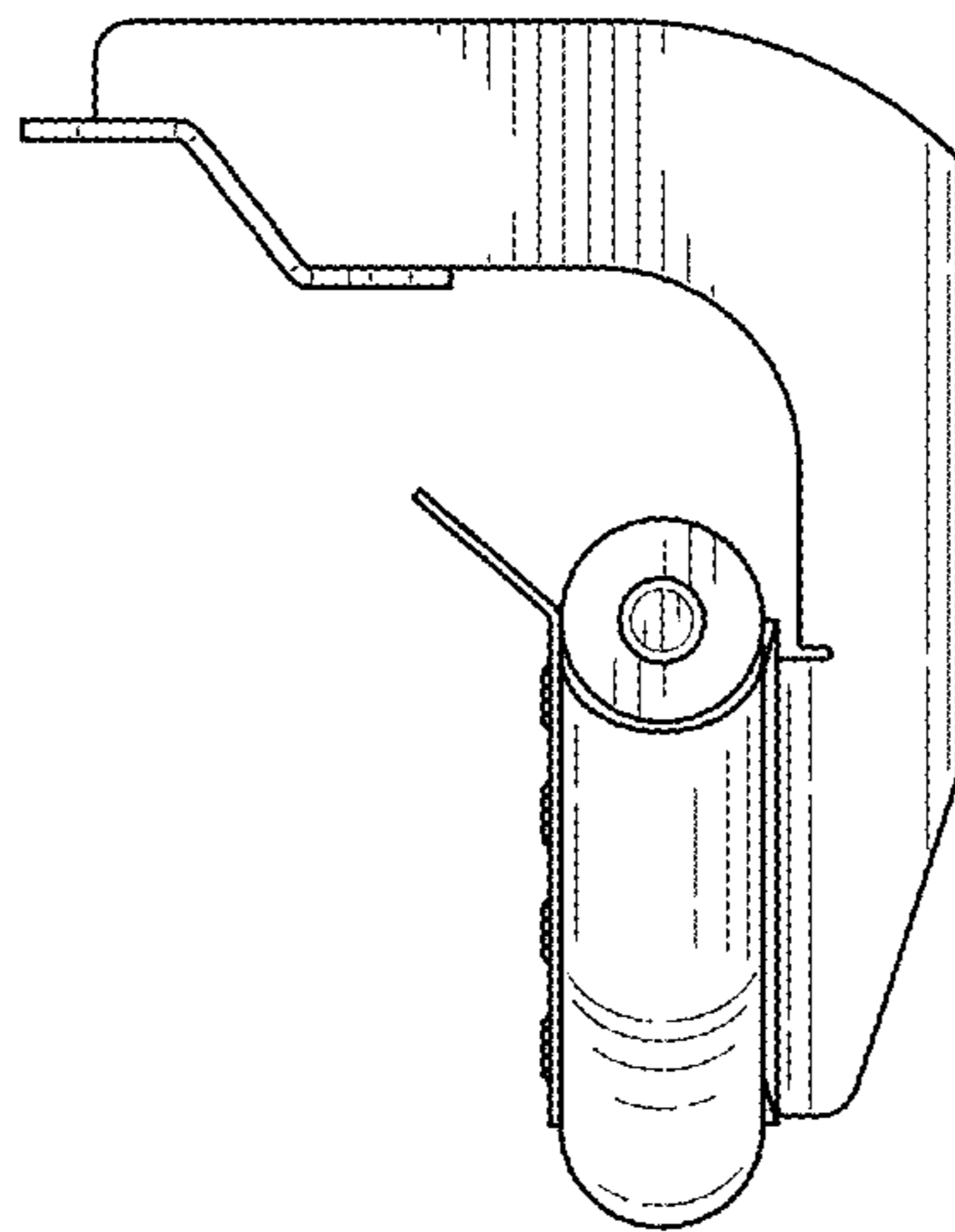


FIG. 7

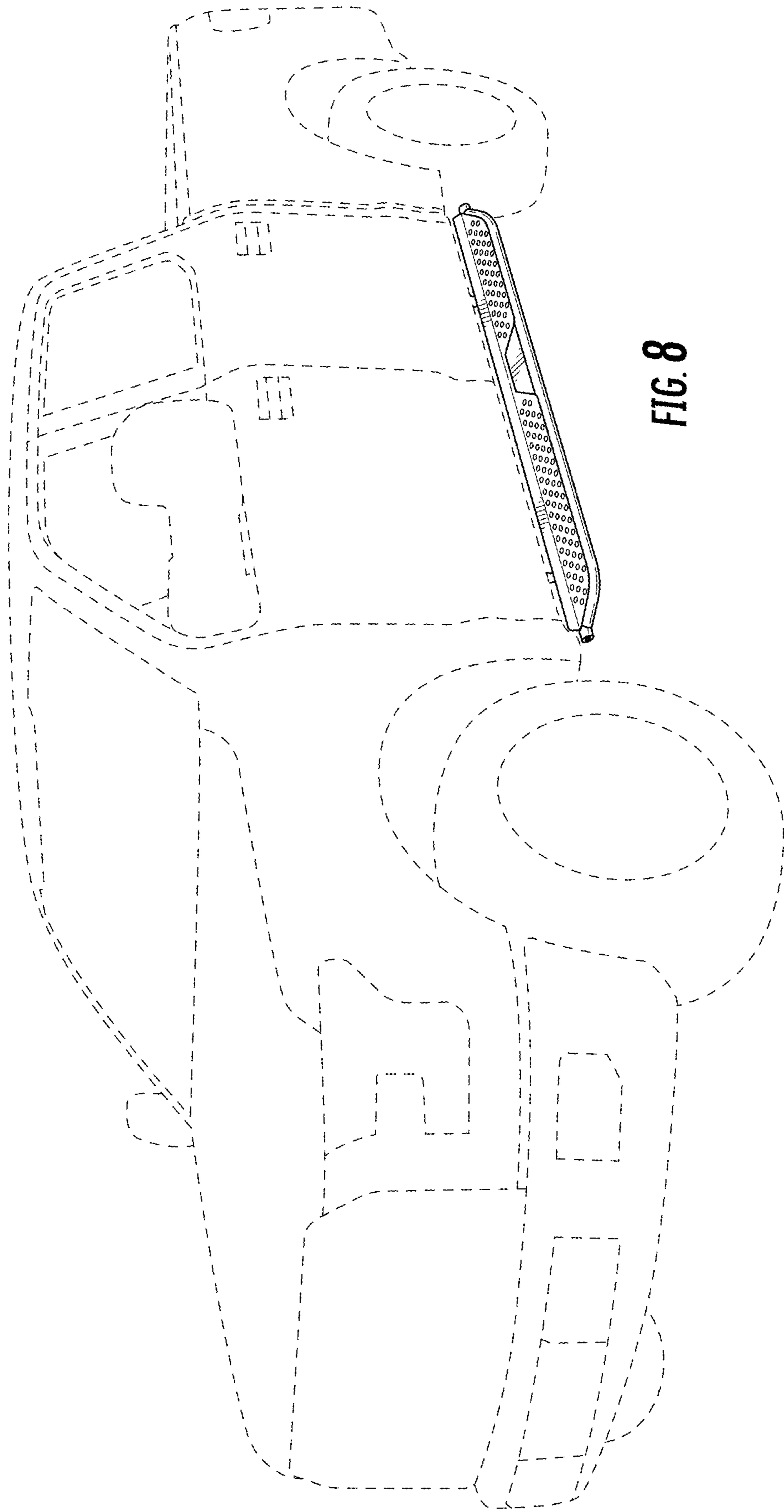


FIG. 8