



US00D890670S

(12) **United States Design Patent** (10) **Patent No.:** **US D890,670 S**  
**Oh et al.** (45) **Date of Patent:** **\*\* Jul. 21, 2020**

(54) **FRONT DOOR PANEL FOR AN AUTOMOBILE**

(71) Applicants: **Hyundai Motor Company**, Seoul (KR); **Kia Motors Corporation**, Seoul (KR)

(72) Inventors: **Yun Seok Oh**, Ansan-si (KR); **Sang Jin Lee**, Suwon-si (KR)

(73) Assignees: **Hyundai Motor Company**, Seoul (KR); **Kia Motors Corporation**, Seoul (KR)

(\*\*) Term: **15 Years**

(21) Appl. No.: **35/507,190**

(22) Filed: **Jan. 22, 2019**

(80) **Hague Agreement Data**

Int. Filing Date: **Jan. 22, 2019**

Int. Reg. No.: **DM/201057**

Int. Reg. Date: **Jan. 22, 2019**

Int. Reg. Pub. Date: **Aug. 2, 2019**

(51) **LOC (12) Cl.** ..... **12-16**

(52) **U.S. Cl.**  
USPC ..... **D12/196**

(58) **Field of Classification Search**  
USPC .... D12/90, 91, 92, 184, 196; D24/533, 548, D24/549  
CPC ..... B62D 25/02; B62D 25/18; B62D 25/08; B62D 35/00; B62D 35/005; B60J 5/04; B60R 19/02; B60R 19/04

See application file for complete search history.

(56) **References Cited**

U.S. PATENT DOCUMENTS

D636,317 S *	4/2011	Matei .....	D12/196
D689,399 S *	9/2013	Kim .....	D12/91
D709,800 S *	7/2014	Cartabiano .....	D12/91
D748,534 S *	2/2016	Bischoff .....	D12/92
D758,272 S *	6/2016	Sato .....	D12/196
D776,005 S *	1/2017	Forschner .....	D12/91
D785,529 S *	5/2017	Kyung .....	D12/196
D786,763 S *	5/2017	Park .....	D12/196
D801,246 S *	10/2017	Lee .....	D12/196
D823,766 S *	7/2018	Han .....	D12/196
D833,355 S *	11/2018	Lee .....	D12/196
D848,334 S *	5/2019	Tomasson .....	D12/196
D873,752 S *	1/2020	Choi .....	D12/196
D879,664 S *	3/2020	Chen .....	D12/91

\* cited by examiner

*Primary Examiner* — George D. Kirschbaum

*Assistant Examiner* — Calvin E Vansant

(74) *Attorney, Agent, or Firm* — Mintz Levin Cohn Ferris Glovsky and Popeo, P.C.; Peter F. Corless; Carolina E. Säve

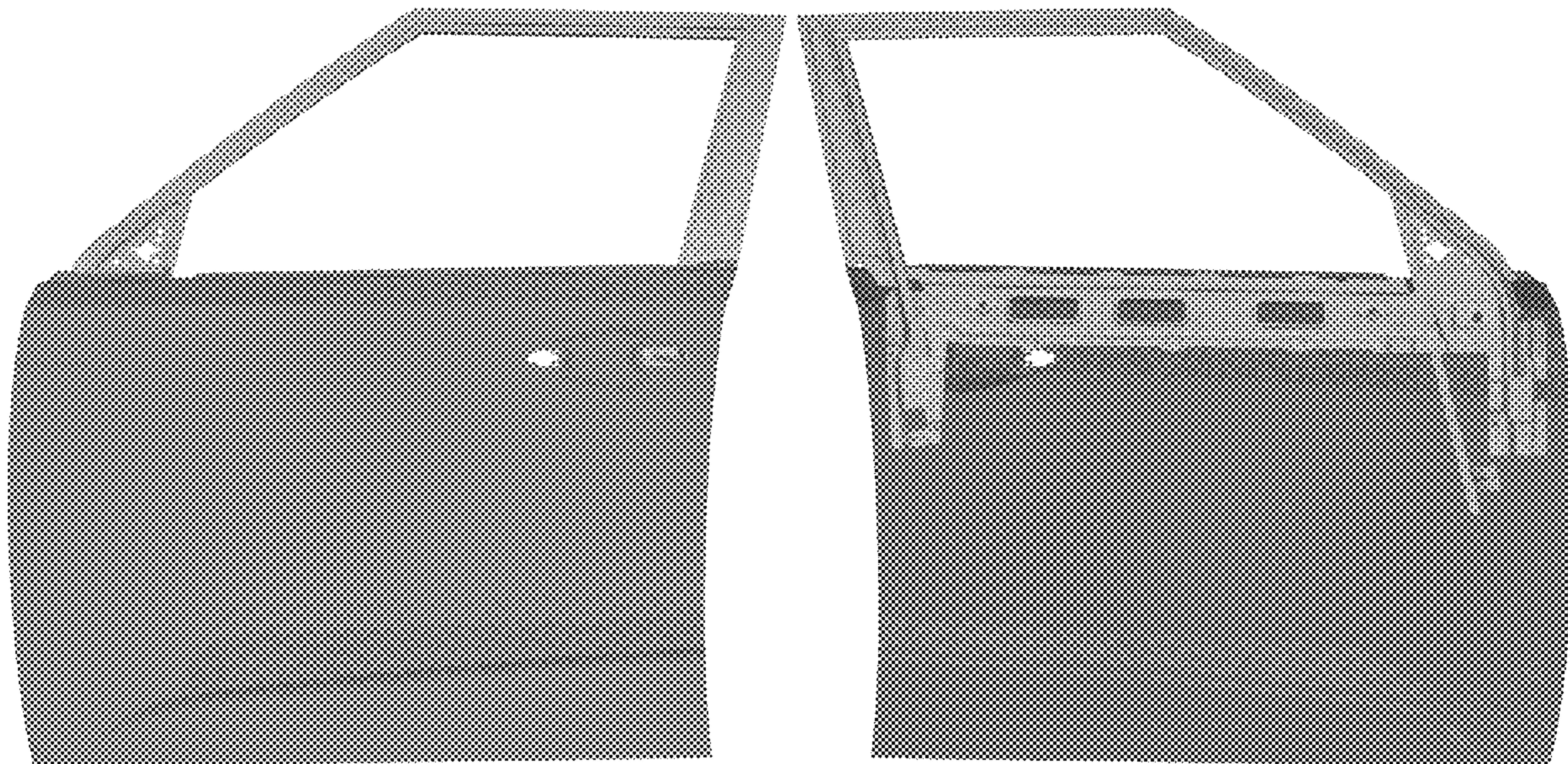
(57) **CLAIM**

The ornamental design for a front door panel for an automobile, as shown and described.

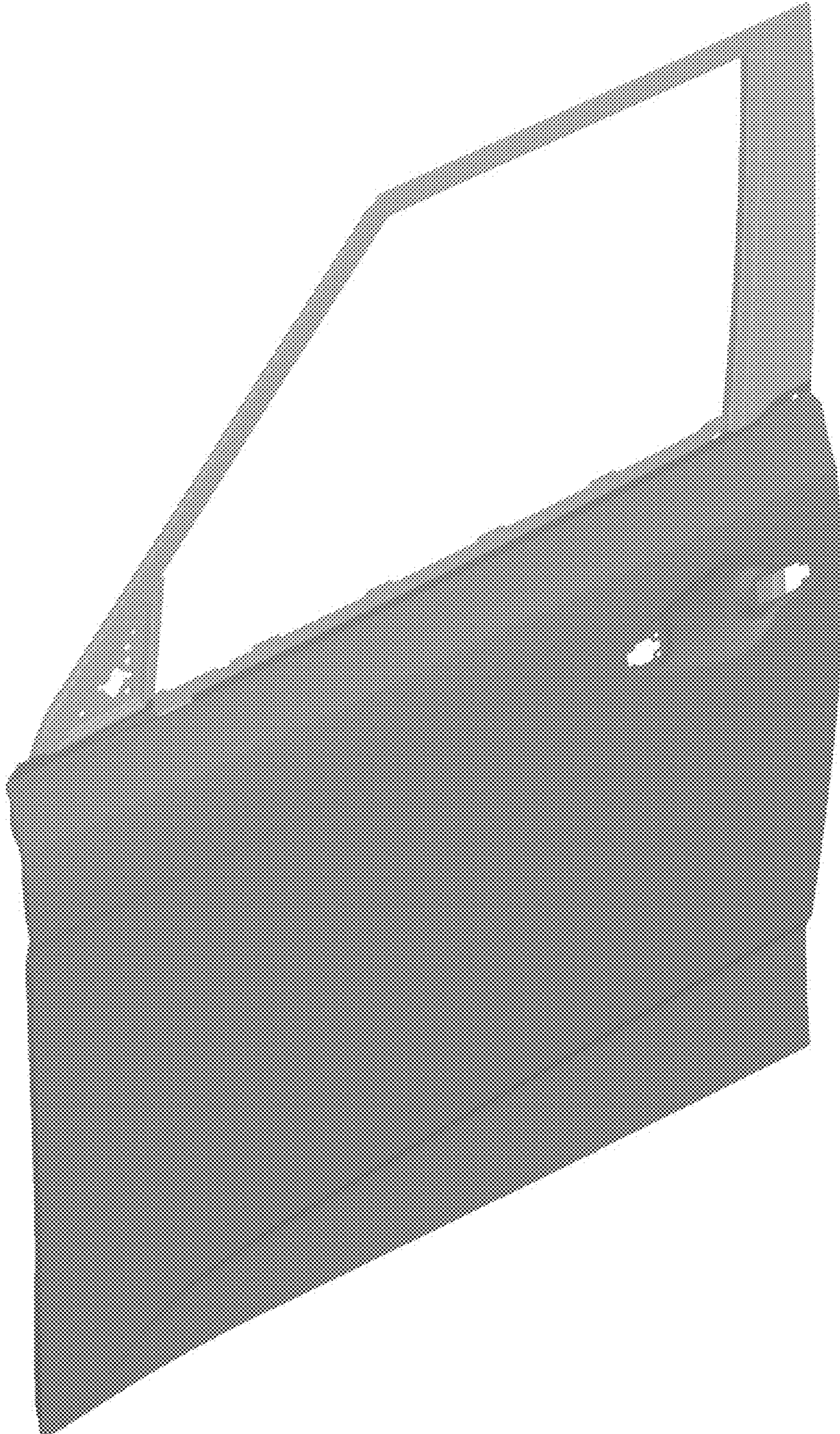
**DESCRIPTION**

1. Front door panel for an automobile
- 1.1 : Perspective
- 1.2 : Front
- 1.3 : Back
- 1.4 : Left
- 1.5 : Right
- 1.6 : Top
- 1.7 : Bottom
- 1.8 : Rear perspective

**1 Claim, 8 Drawing Sheets**



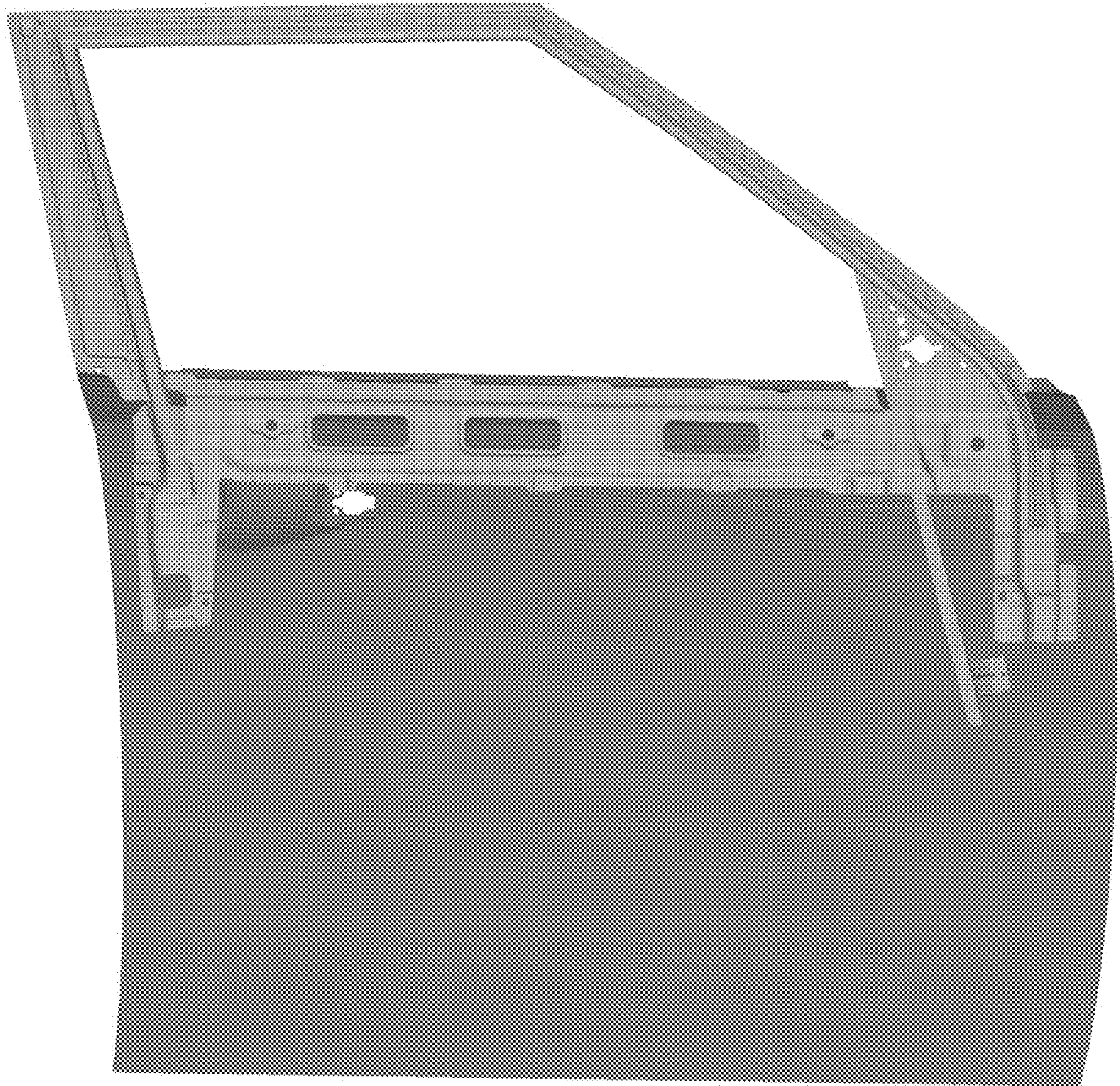
1.1



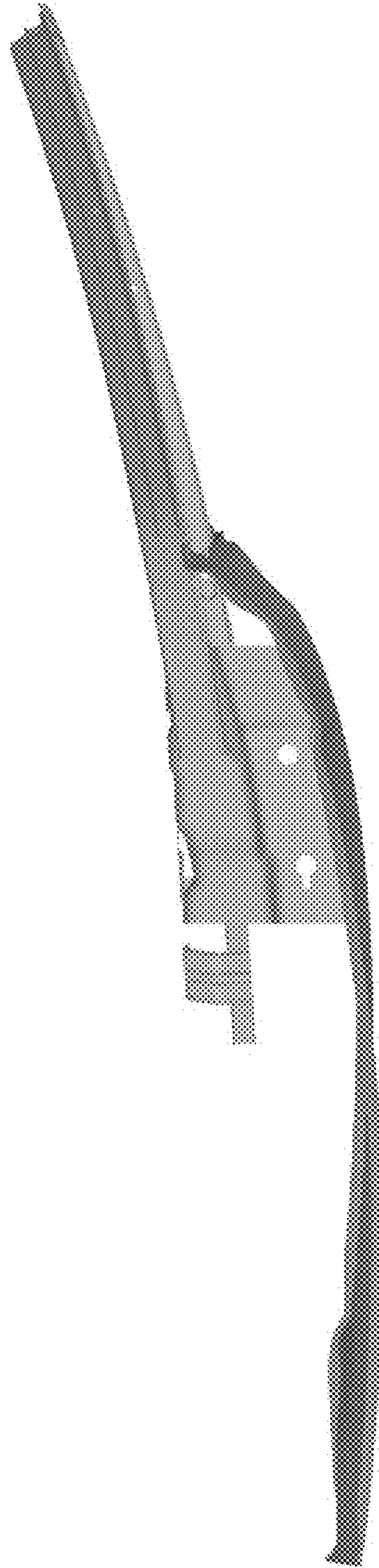
1.2



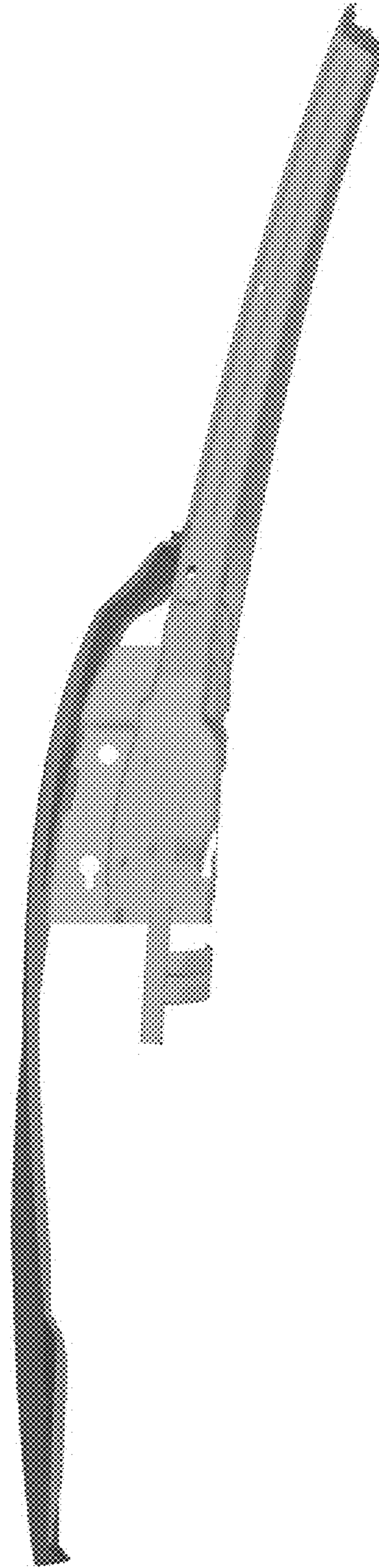
1.3



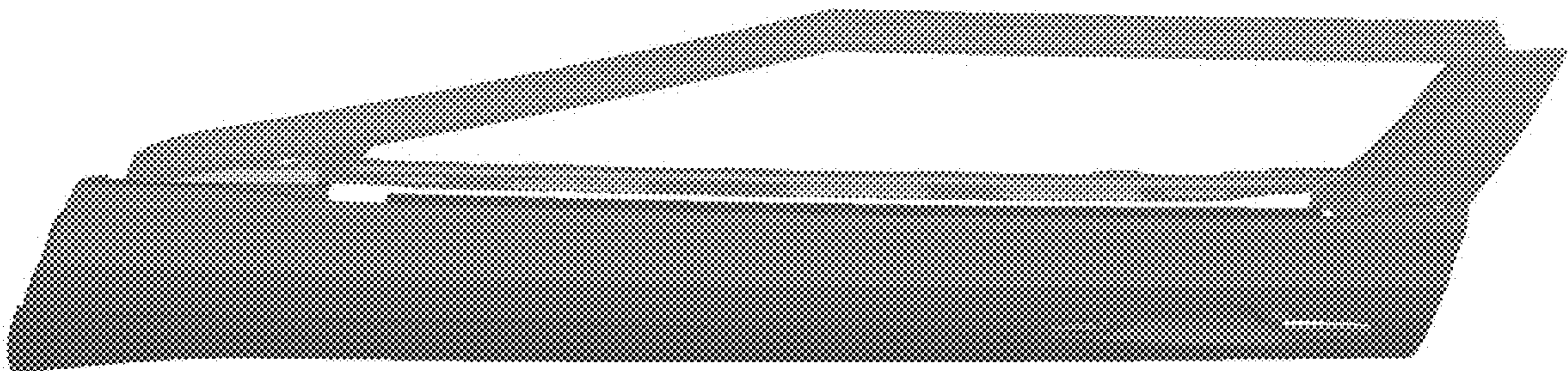
1.4



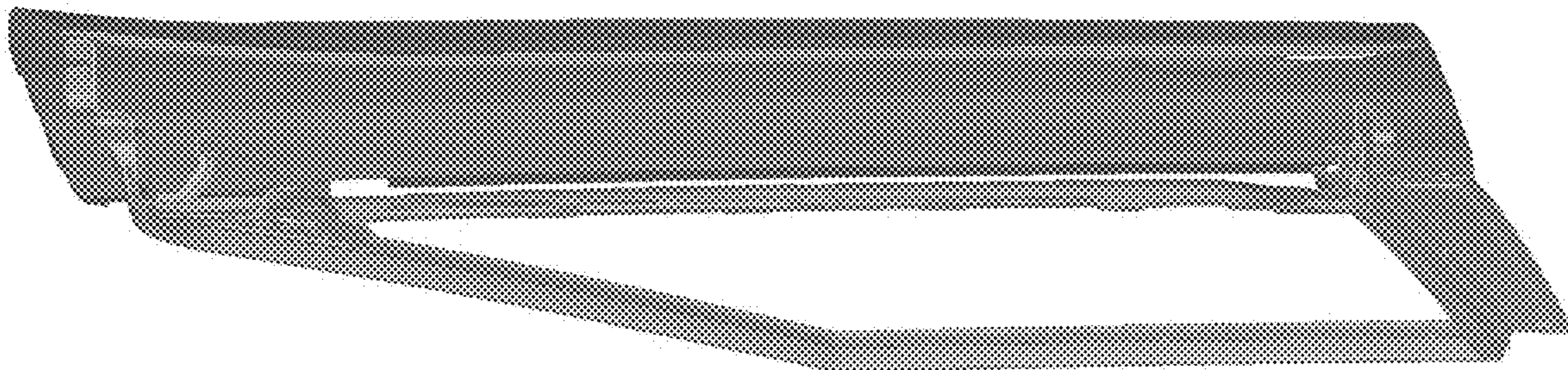
1.5



1.6



1.7





1.8

