



US00D890665S

(12) **United States Design Patent**
Feng et al.

(10) **Patent No.:** **US D890,665 S**

(45) **Date of Patent:** **** Jul. 21, 2020**

(54) **UNDER CAB ACCENT PANEL**

(71) Applicant: **PACCAR Inc**, Bellevue, WA (US)

(72) Inventors: **Rogers Feng**, Issaquah, WA (US);
Elliott Black, Kirkland, WA (US);
Jonathan S. Duncan, Seattle, WA (US)

(73) Assignee: **PACCAR INC**, Bellevue, WA (US)

(**) Term: **15 Years**

(21) Appl. No.: **29/678,974**

(22) Filed: **Jan. 31, 2019**

(51) **LOC (12) Cl.** **12-16**

(52) **U.S. Cl.**
USPC **D12/196**

(58) **Field of Classification Search**
USPC D12/90, 91, 92, 169, 181, 184, 190, 195,
D12/196, 203
CPC B60J 5/00; B60J 5/02; B60J 5/04; B60J
5/10; B62D 25/02; B62D 25/04
See application file for complete search history.

(56) **References Cited**

U.S. PATENT DOCUMENTS

D336,884 S *	6/1993	Scheele	D12/181
D399,465 S *	10/1998	Saleen	D12/190
D502,134 S *	2/2005	Chan	D12/196
D509,779 S *	9/2005	Perfetti	D12/196
D541,720 S *	5/2007	Beigel	D12/196
D599,264 S *	9/2009	Akasawa	D12/181
D636,312 S *	4/2011	Matei	D12/190
D751,953 S *	3/2016	Hayes	D12/167
D794,525 S *	8/2017	Chen	D12/203
D860,896 S *	9/2019	Rolfs	D12/203
D870,008 S *	12/2019	Von Holzhausen	D12/196

* cited by examiner

Primary Examiner — George D. Kirschbaum

Assistant Examiner — Joseph J Kukella

(74) *Attorney, Agent, or Firm* — Seed IP Law Group LLP

(57) **CLAIM**

The ornamental design for a under cab accent panel, as shown and described.

DESCRIPTION

FIG. 1 is an environmental view of a vehicle showing an under cab accent panel according to an exemplary embodiment of our new design for use on a first side of the vehicle; FIG. 2 is a front perspective view of the under cab accent panel shown in FIG. 1 without the environmental elements; FIG. 3 is a front view of the under cab accent panel shown in FIG. 2;

FIG. 4 is a top view of the under cab accent panel shown in FIG. 2;

FIG. 5 is a left side view of the under cab accent panel shown in FIG. 2;

FIG. 6 is an environmental view of a vehicle showing an under cab accent panel according to an exemplary embodiment of our new design for use on a second side of the vehicle;

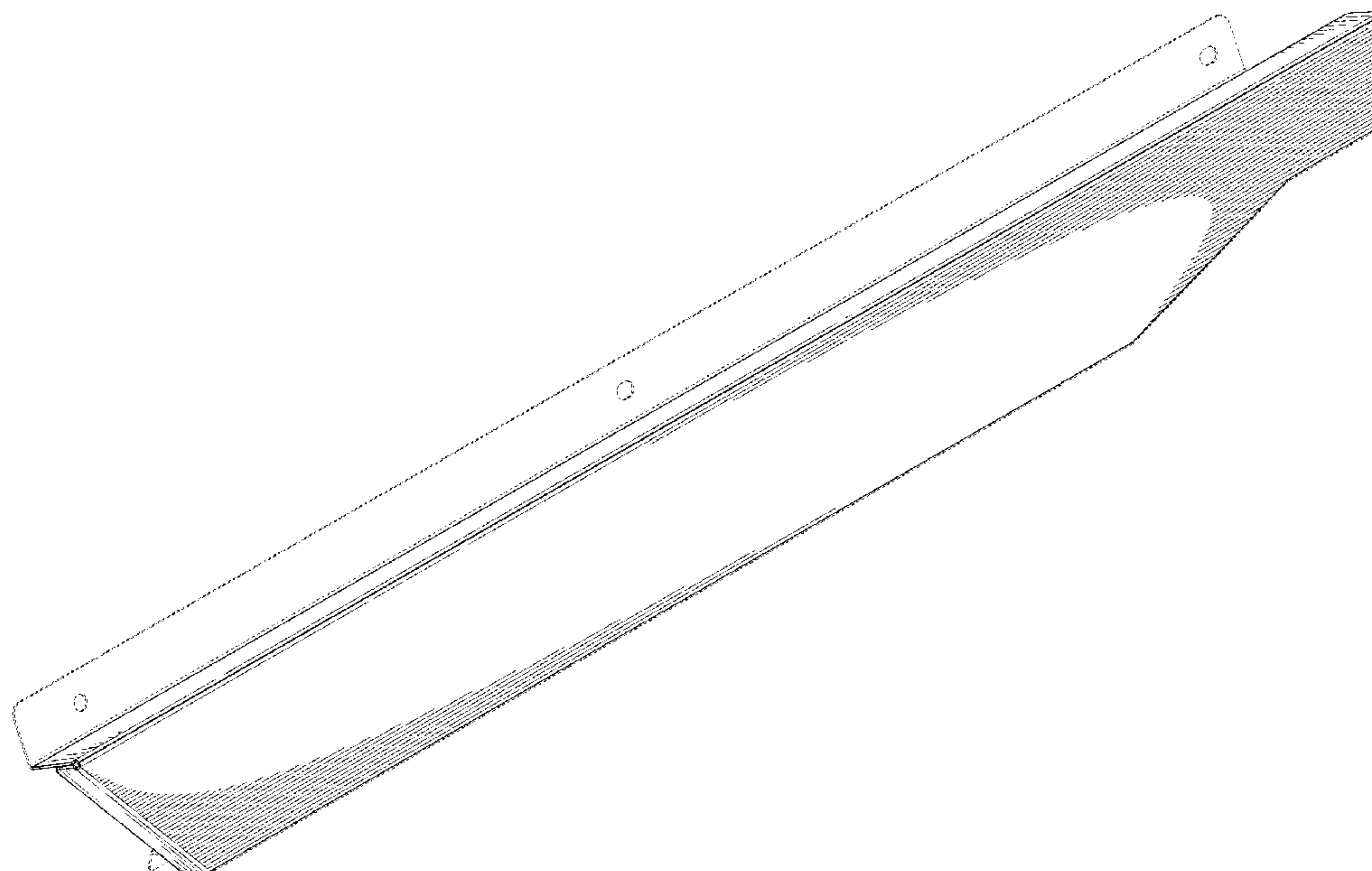
FIG. 7 is a front perspective view of the under cab accent panel shown in FIG. 6 without the environmental elements; FIG. 8 is a front view of the under cab accent panel shown in FIG. 7;

FIG. 9 is a top view of the under cab accent panel shown in FIG. 7; and,

FIG. 10 is a right side view of the under cab accent panel shown in FIG. 7.

The broken lines shown in the figures represent portions of the under cab accent panel that form no part of the claimed design.

1 Claim, 6 Drawing Sheets



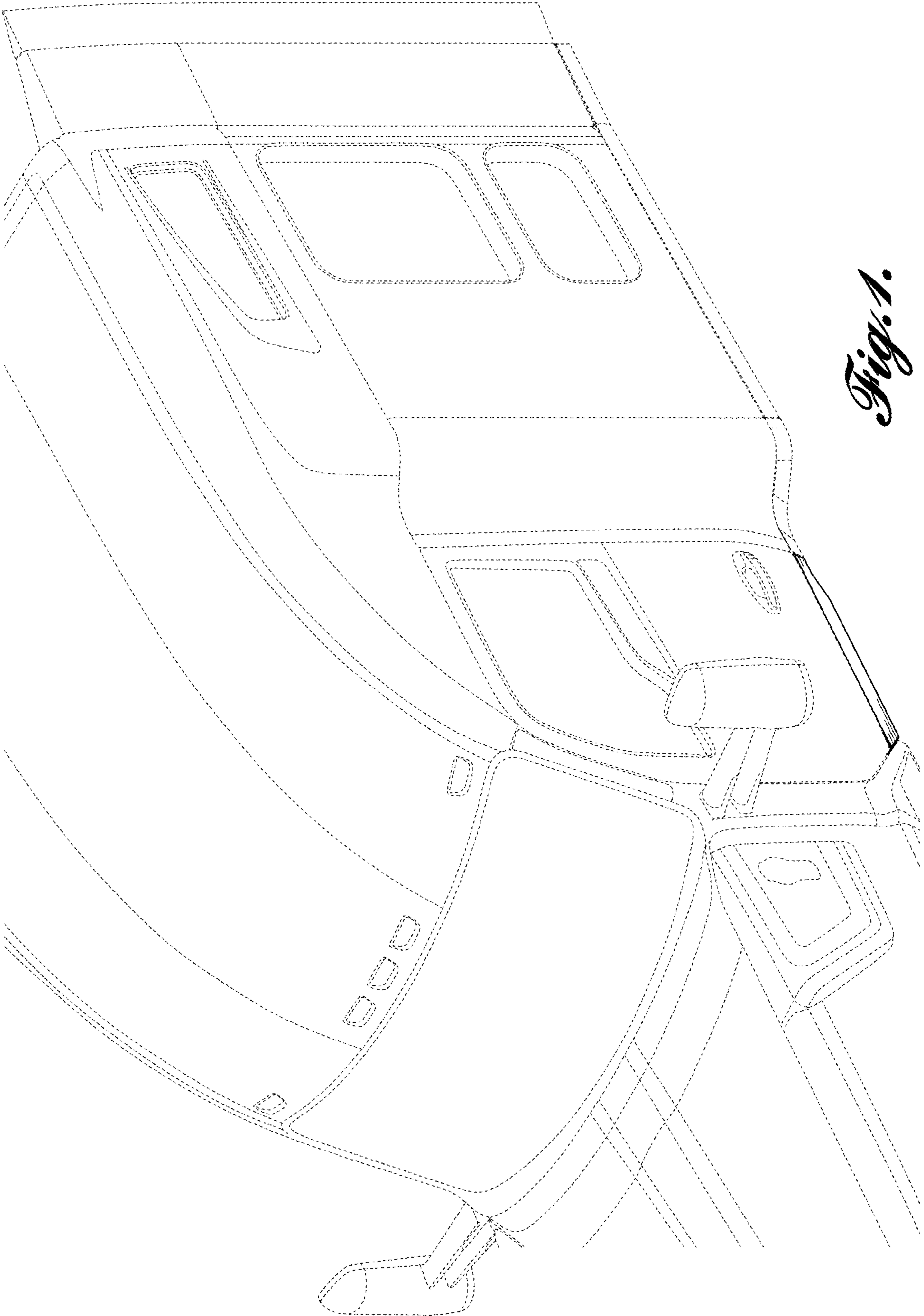


Fig. 1.

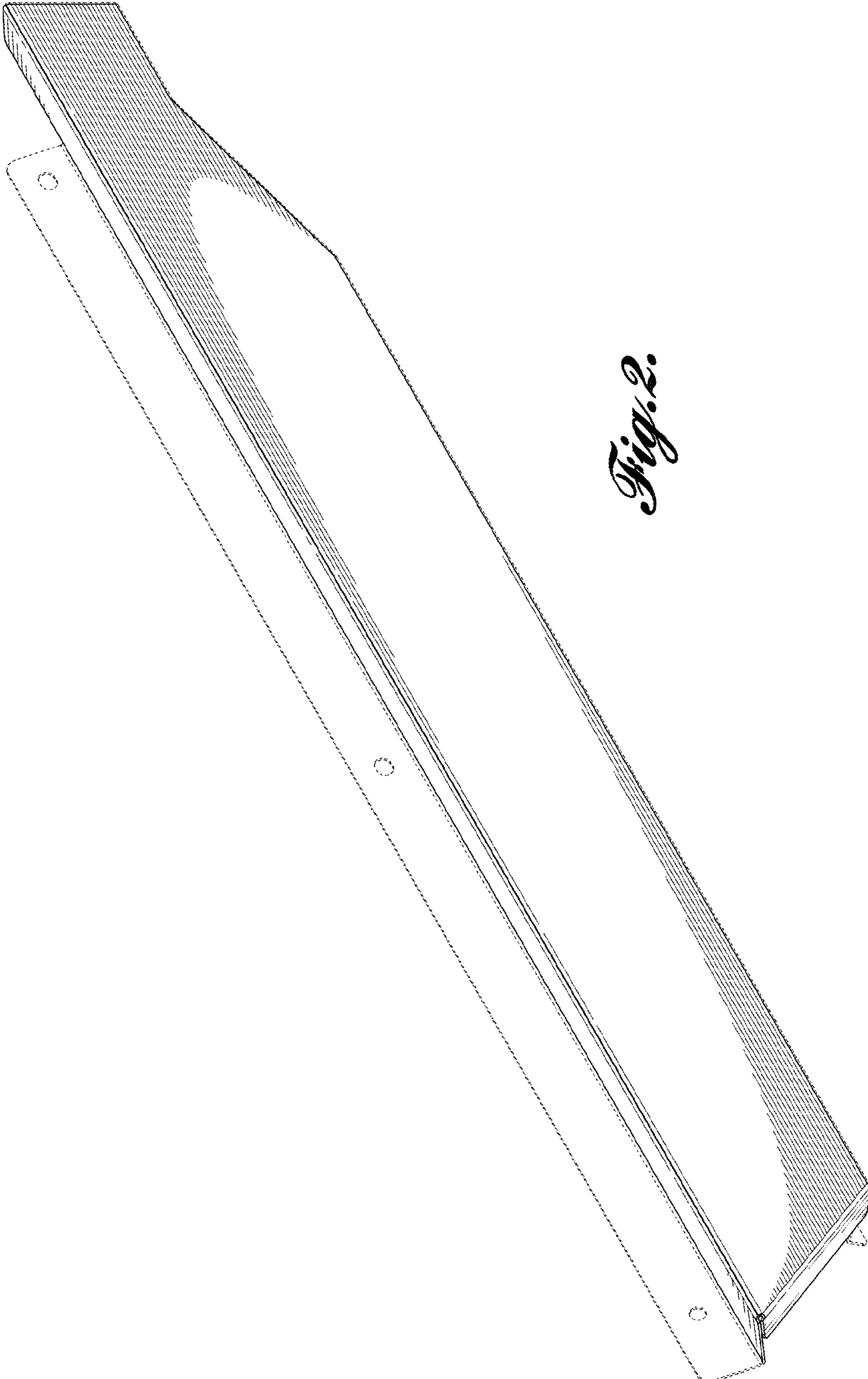


Fig. 2.

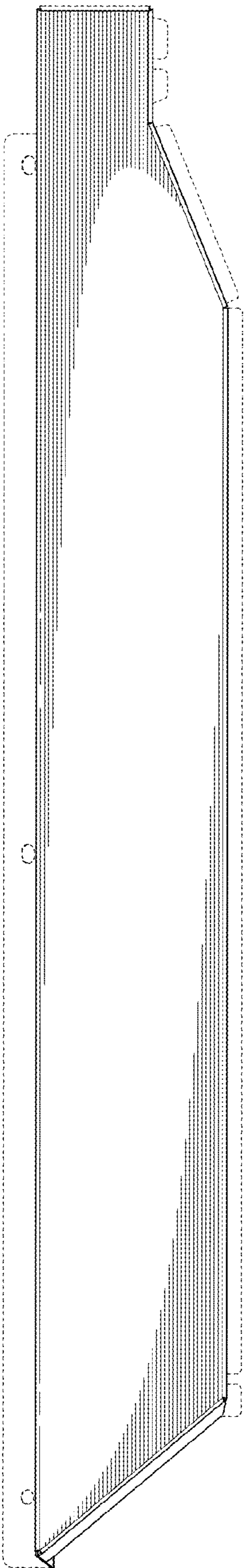


Fig. 3.

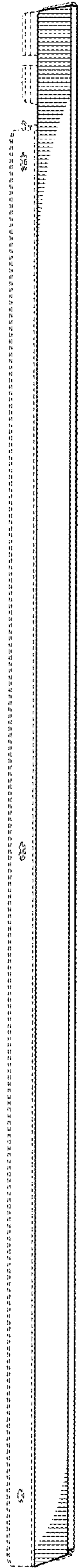


Fig. 4.

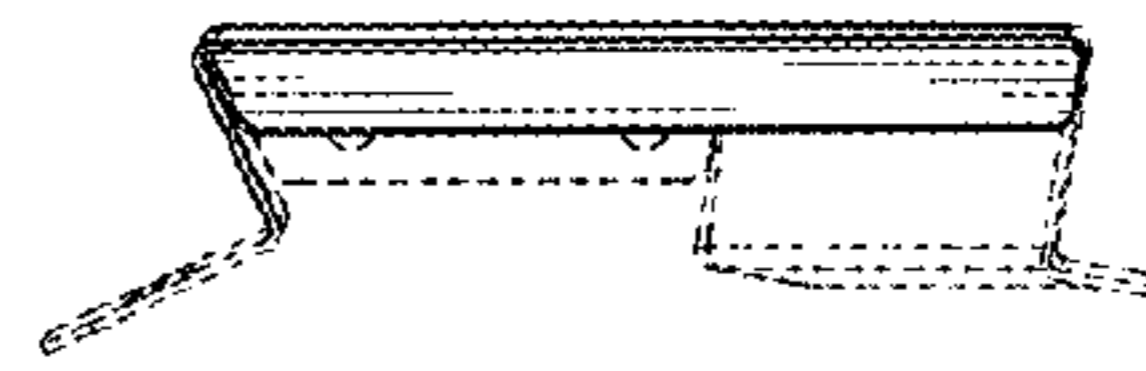


Fig. 5.

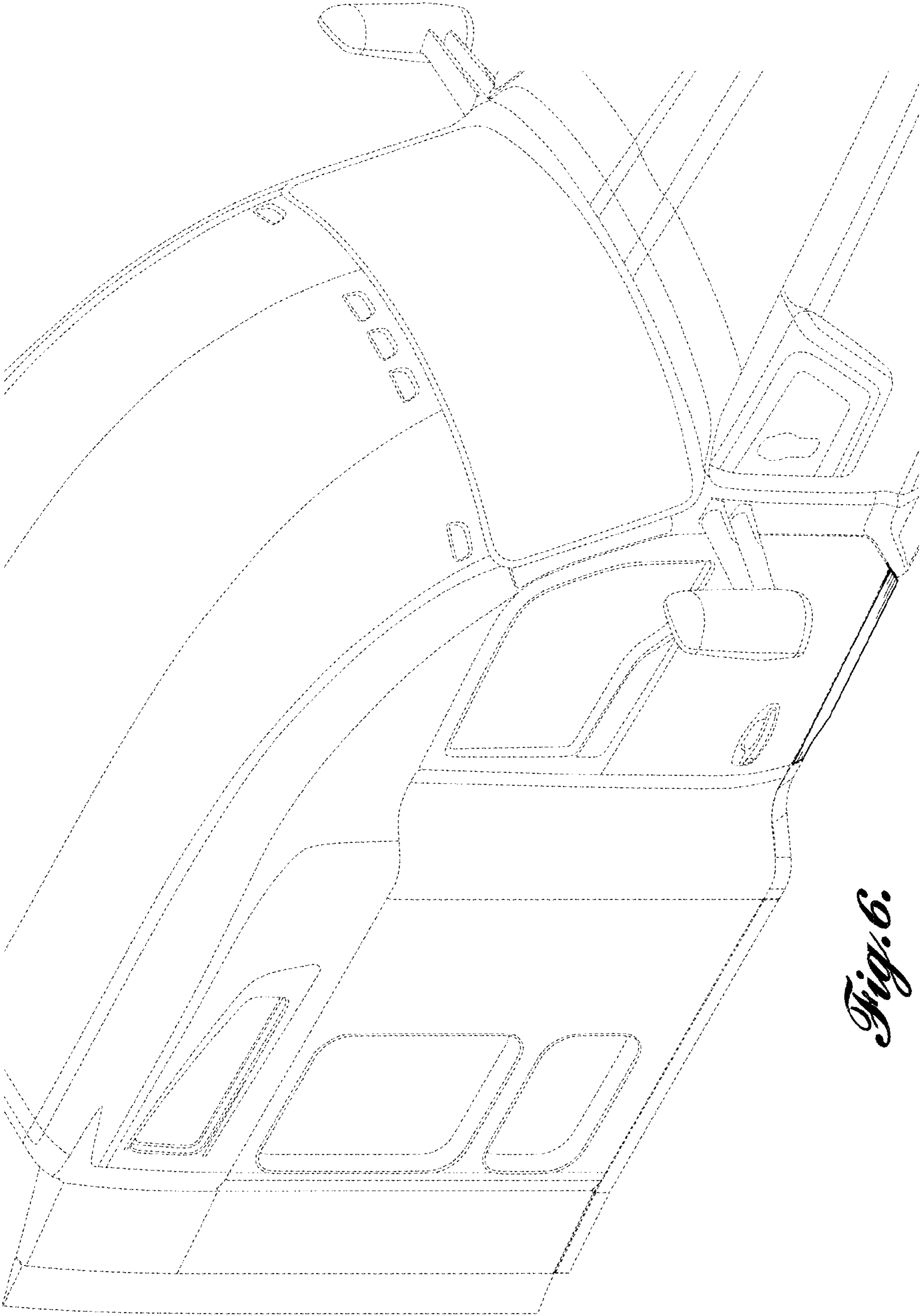


Fig. 6.

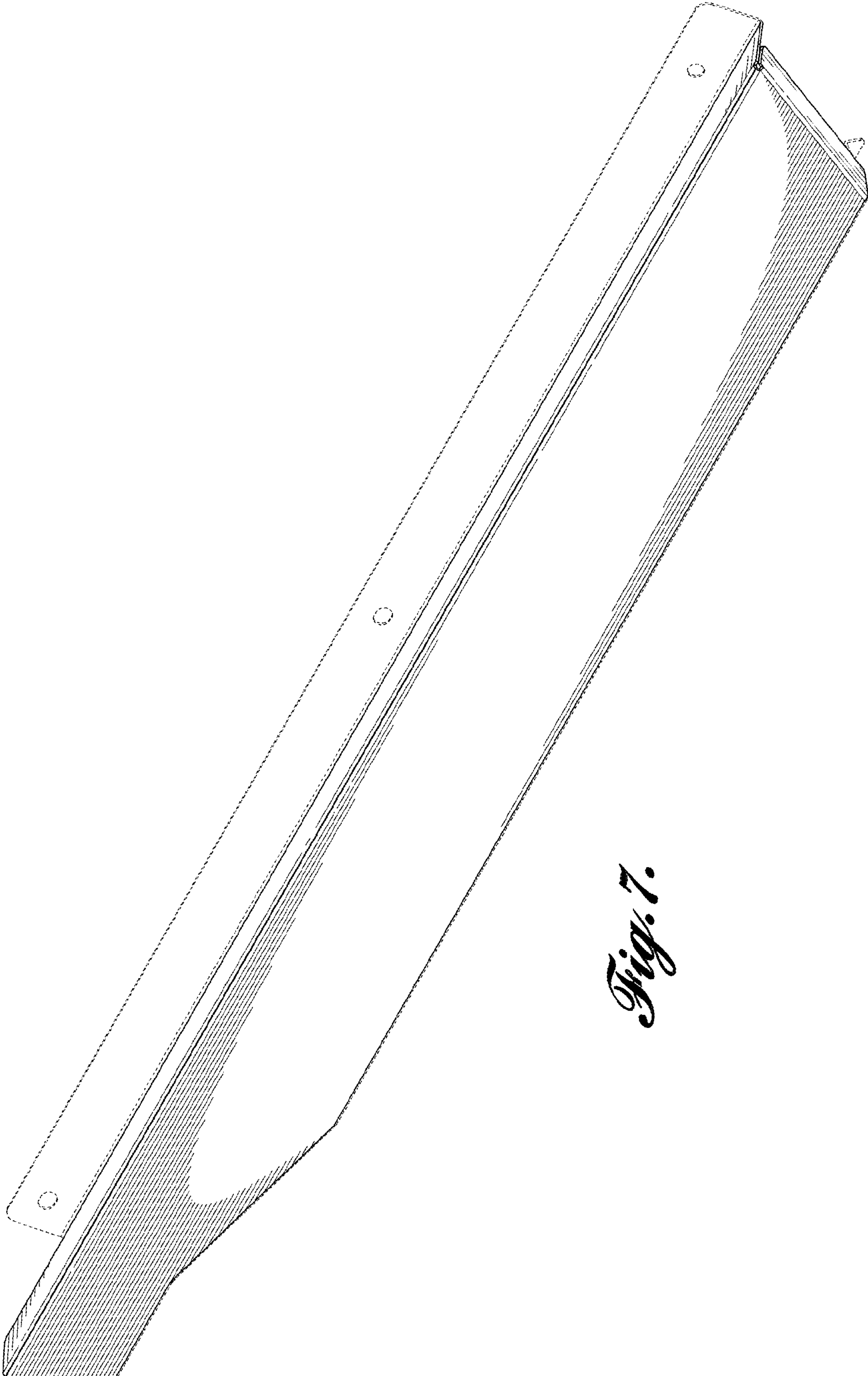


Fig. 7.

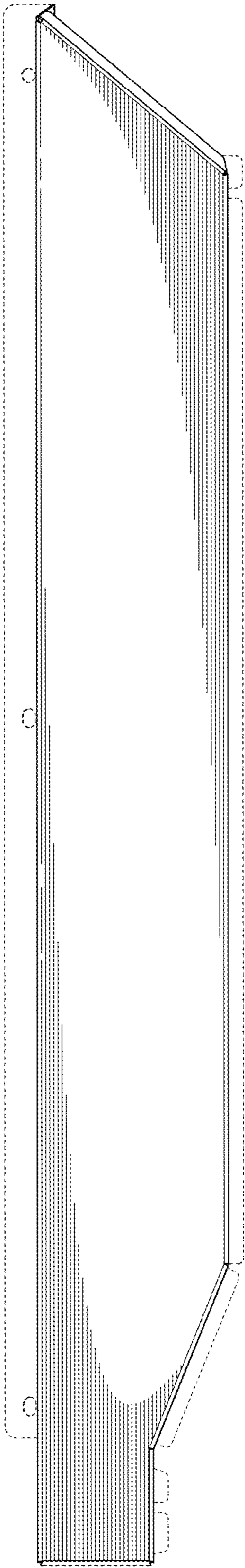


Fig. 8.

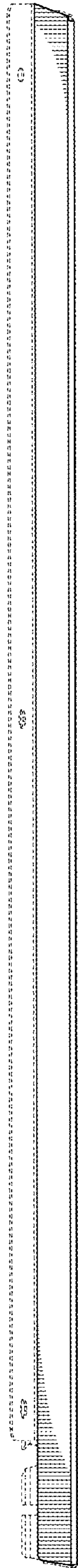


Fig. 9.

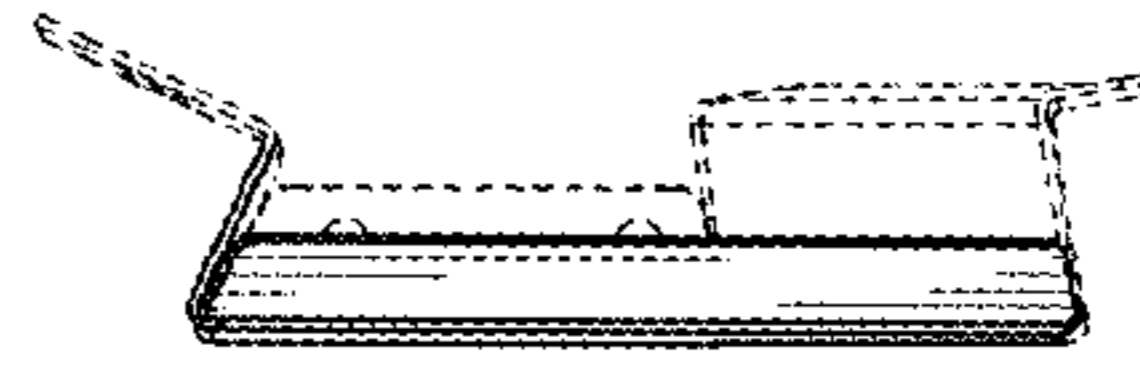


Fig. 10.