



US00D890664S

(12) **United States Design Patent**
Feng et al.

(10) **Patent No.:** **US D890,664 S**
(45) **Date of Patent:** **** Jul. 21, 2020**

- (54) **HOOD CORNER ACCENT PANEL**
- (71) Applicant: **PACCAR Inc**, Bellevue, WA (US)
- (72) Inventors: **Rogers Feng**, Issaquah, WA (US);
Elliott Black, Kirkland, WA (US);
Jonathan S. Duncan, Seattle, WA (US)
- (73) Assignee: **PACCAR INC**, Bellevue, WA (US)
- (**) Term: **15 Years**
- (21) Appl. No.: **29/678,960**
- (22) Filed: **Jan. 31, 2019**
- (51) **LOC (12) Cl.** **12-16**
- (52) **U.S. Cl.**
USPC **D12/196**
- (58) **Field of Classification Search**
USPC D12/90, 91, 92, 169, 181, 184, 190, 195,
D12/196, 203
CPC B60J 5/00; B60J 5/02; B60J 5/04; B60J
5/10; B62D 25/02; B62D 25/04
See application file for complete search history.

(56) **References Cited**

U.S. PATENT DOCUMENTS

D305,633 S *	1/1990	Kingsley	D12/190
D314,545 S *	2/1991	Hutchins	D12/181
D423,437 S *	4/2000	Saleen	D12/167
D495,643 S *	9/2004	Perfetti	D12/196
D726,095 S *	4/2015	Simecek	D12/181
D817,241 S *	5/2018	Warden	D12/196

* cited by examiner

Primary Examiner — George D. Kirschbaum
Assistant Examiner — Joseph J Kukella

(74) *Attorney, Agent, or Firm* — Seed IP Law Group LLP

(57) **CLAIM**

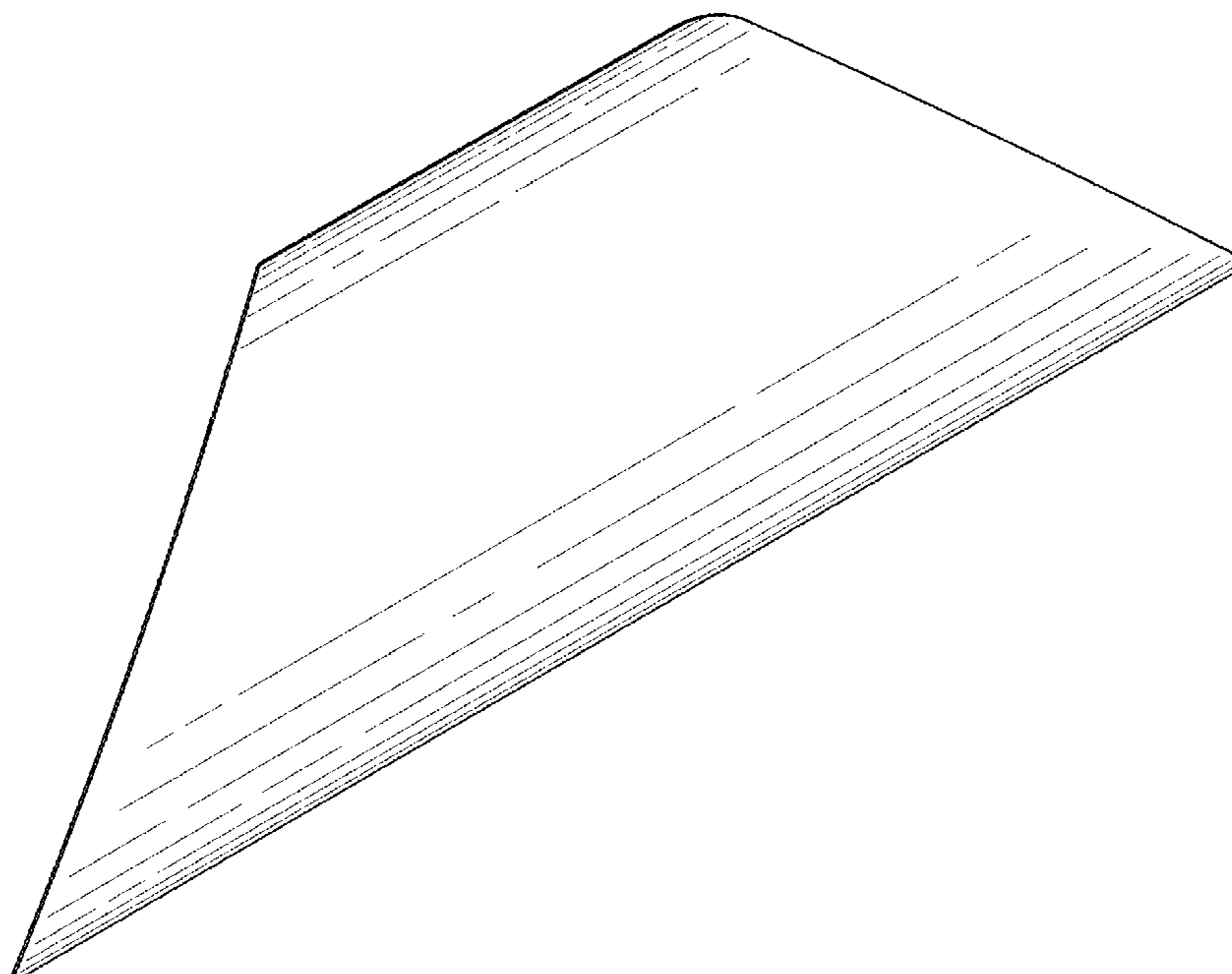
The ornamental design for a hood corner accent panel, as shown and described.

DESCRIPTION

FIG. 1 is an environmental view of a vehicle showing a hood corner accent panel according to an exemplary embodiment of our new design for use on a first side of the vehicle; FIG. 2 is a front perspective view of the hood corner accent panel shown in FIG. 1 without the environmental elements; FIG. 3 is a front view of the hood corner accent panel shown in FIG. 2; FIG. 4 is a top view of the hood corner accent panel shown in FIG. 2; FIG. 5 is a right side view of the hood corner accent panel shown in FIG. 2; FIG. 6 is a left side view of the hood corner accent panel shown in FIG. 2; FIG. 7 is an environmental view of a vehicle showing a hood corner accent panel according to an exemplary embodiment of our new design for use on a second side of the vehicle; FIG. 8 is a front perspective view of the hood corner accent panel shown in FIG. 7 without the environmental elements; FIG. 9 is a front view of the hood corner accent panel shown in FIG. 8; FIG. 10 is a top view of the hood corner accent panel shown in FIG. 8; FIG. 11 is a left side view of the hood corner accent panel shown in FIG. 8; and, FIG. 12 is a right side view of the hood corner accent panel shown in FIG. 8.

The broken lines shown in the figures represent portions of the hood corner accent panel that form no part of the claimed design.

1 Claim, 8 Drawing Sheets



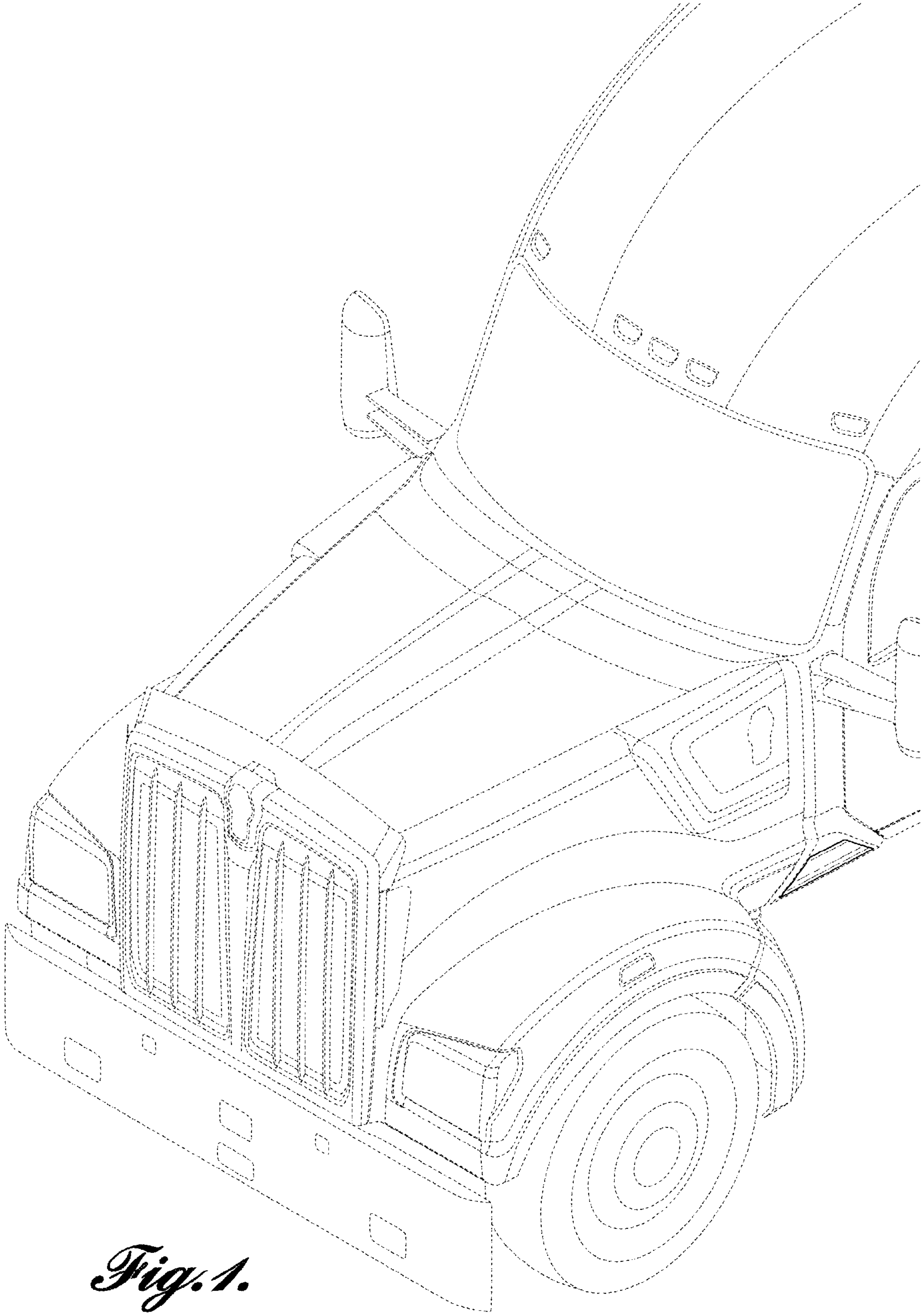
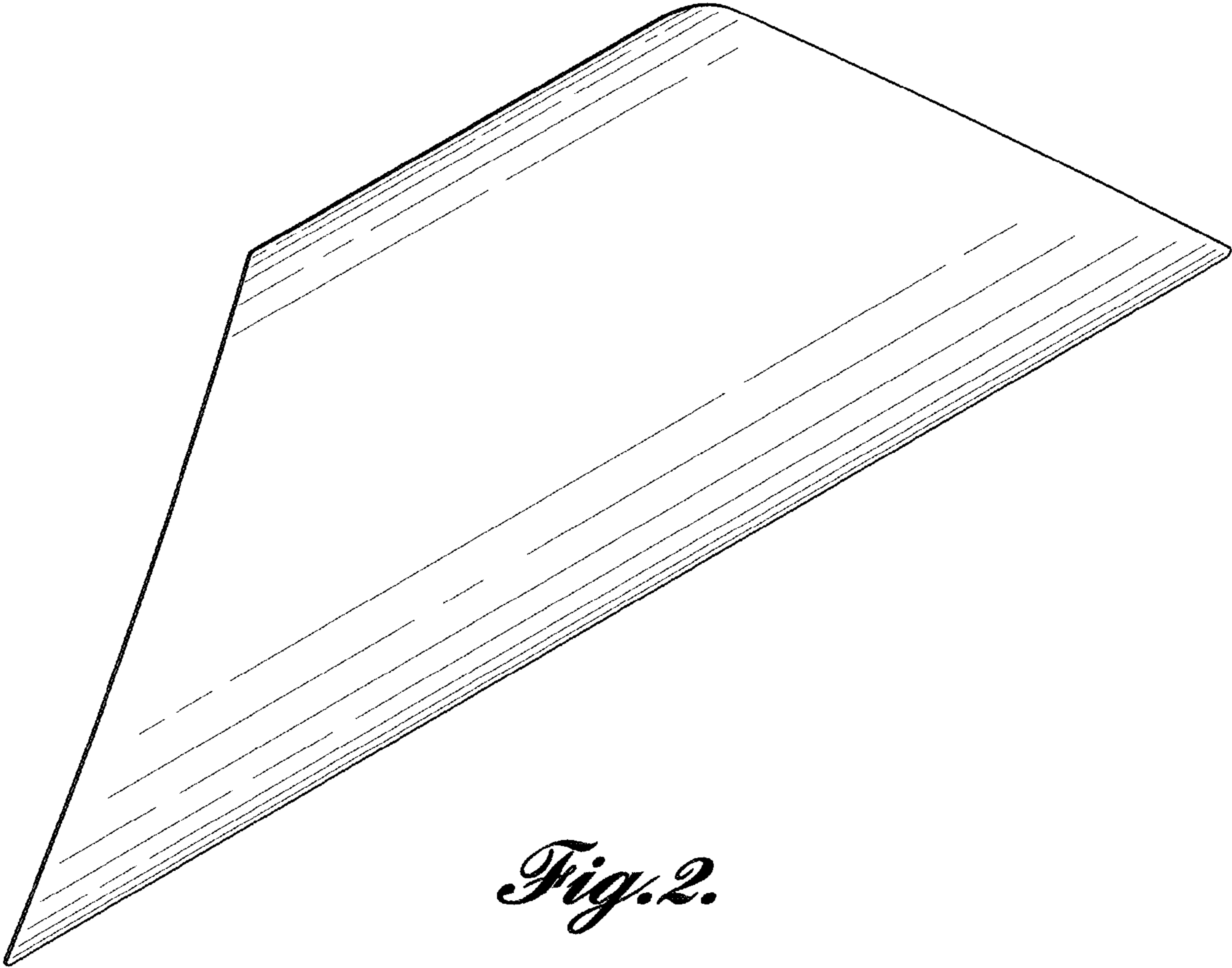


Fig. 1.



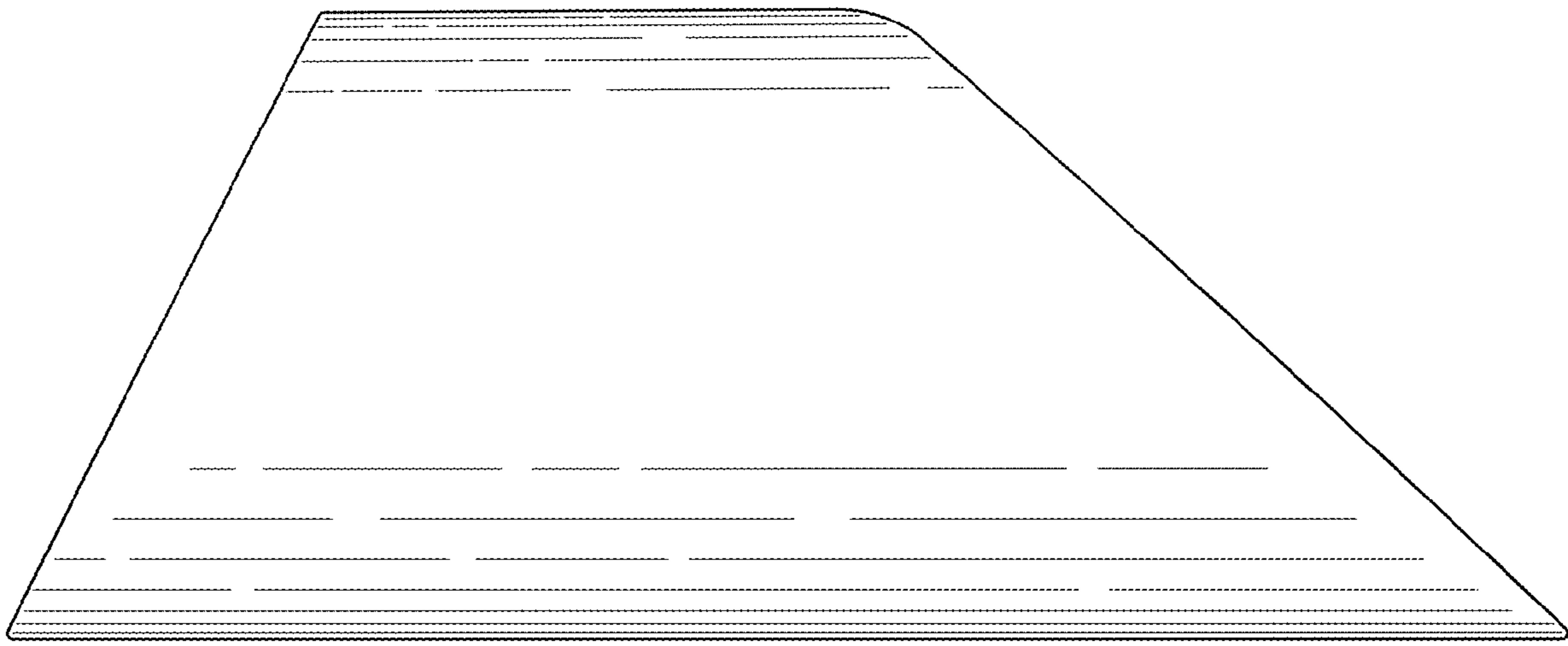


Fig. 3.

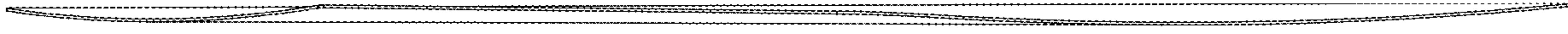


Fig. 4.



Fig. 5.



Fig. 6.

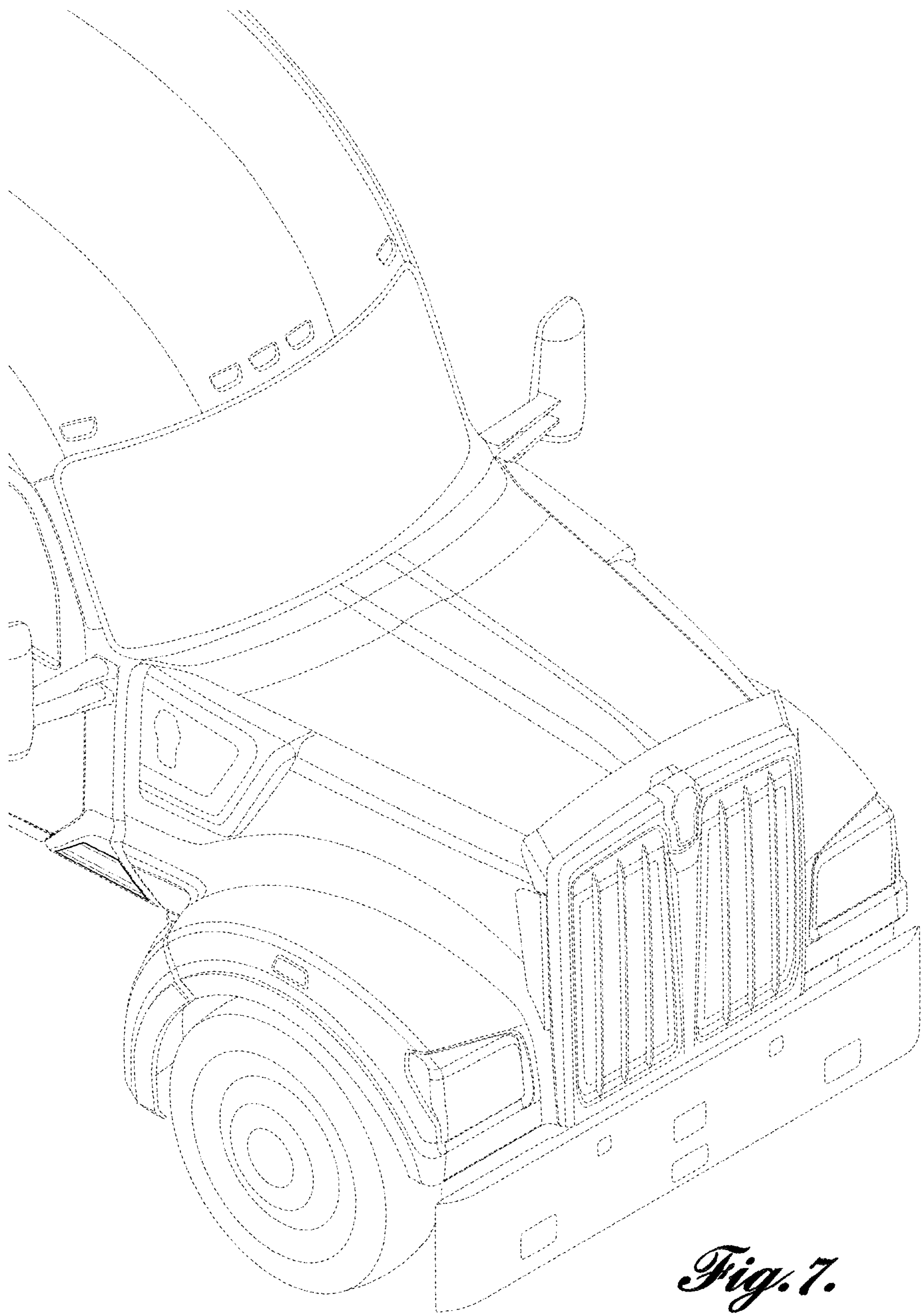


Fig. 7.

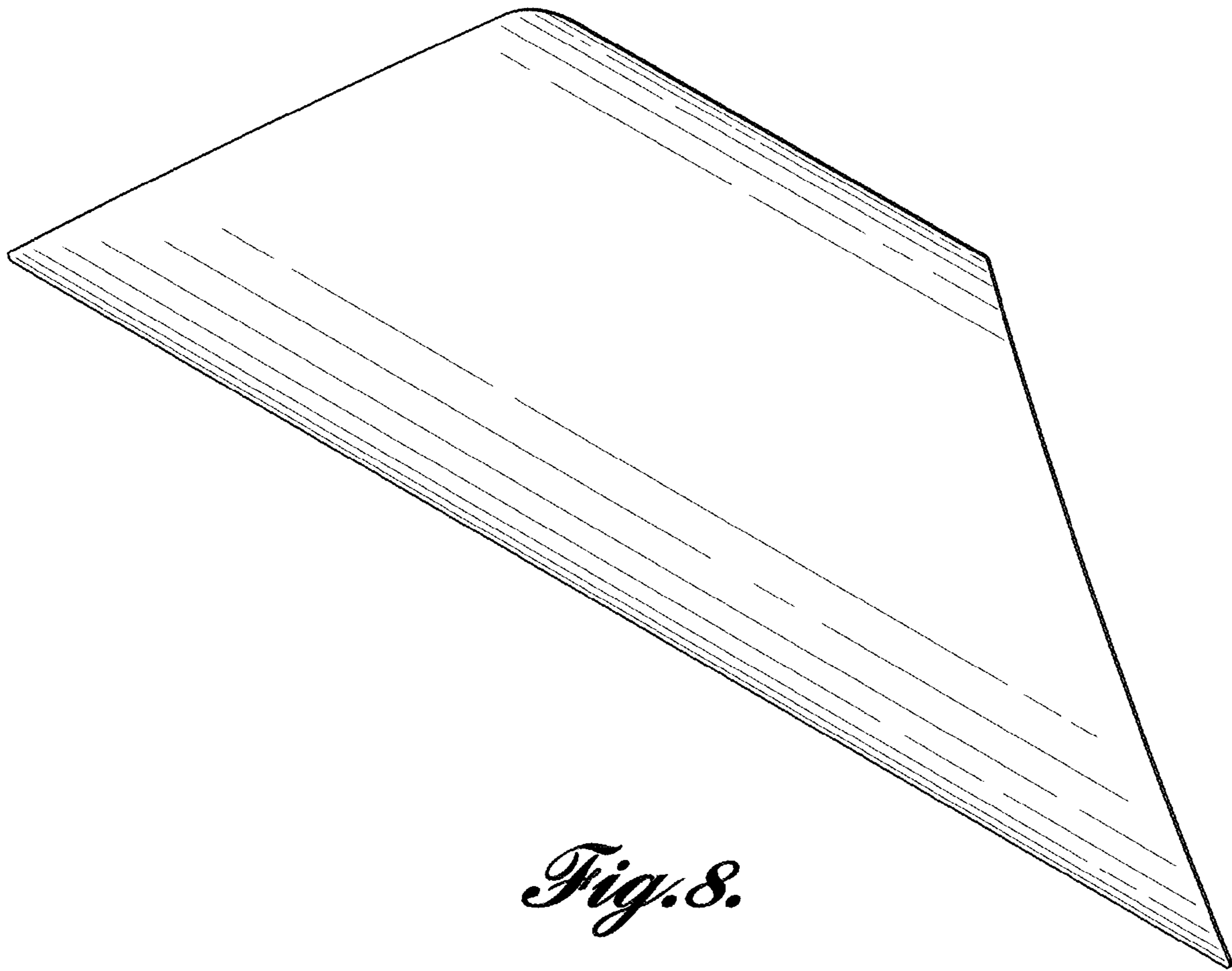


Fig. 8.

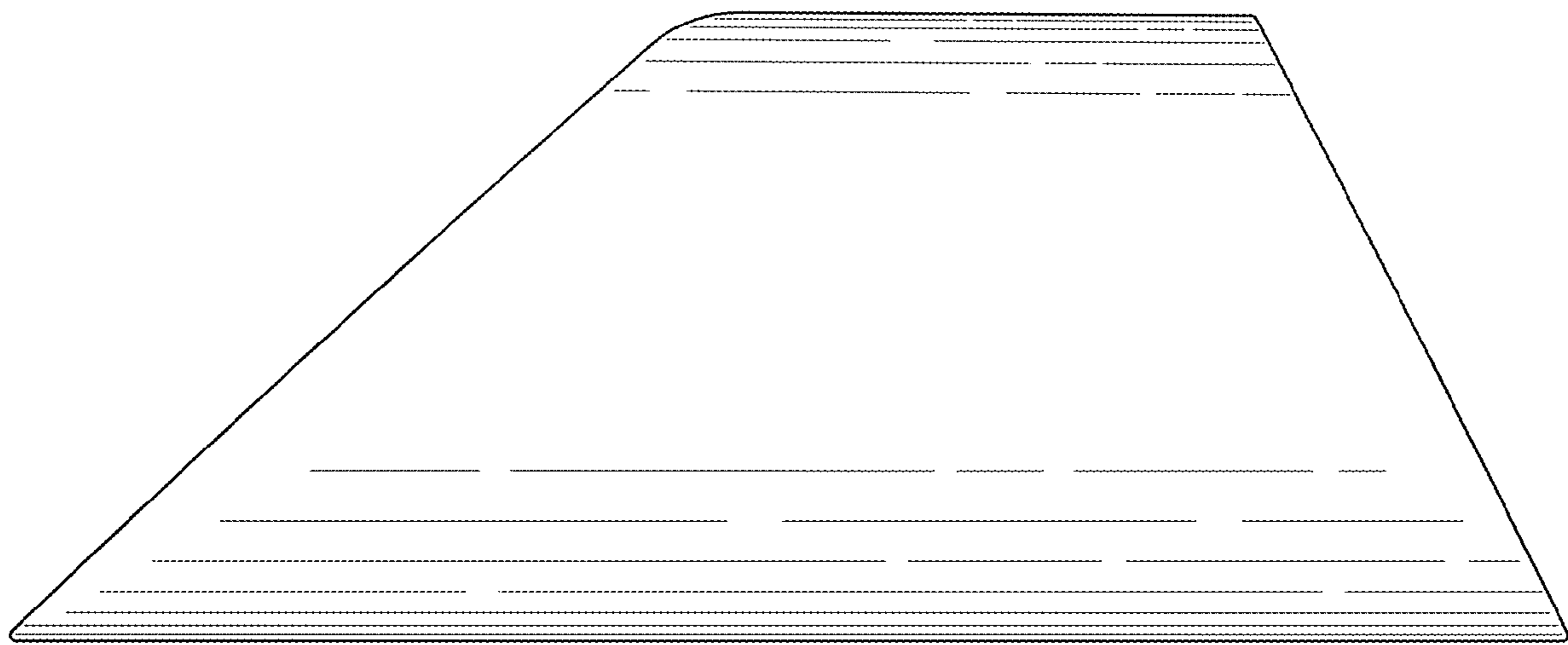


Fig. 9.

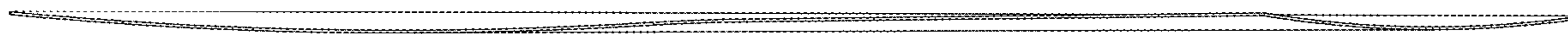


Fig. 10.



Fig. 11.

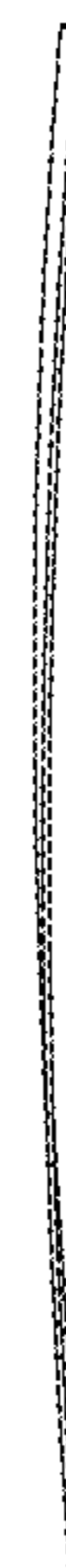


Fig. 12.