



US00D890663S

(12) **United States Design Patent**  
**Nowakowski et al.**

(10) **Patent No.:** **US D890,663 S**

(45) **Date of Patent:** **\*\* Jul. 21, 2020**

(54) **LICENSE PLATE MOUNTING BRACKET**

(71) Applicants: **Chad Louis Nowakowski**, Lakewood,  
CO (US); **Cristi Michelle**  
**Nowakowski**, Lakewood, CO (US)

(72) Inventors: **Chad Louis Nowakowski**, Lakewood,  
CO (US); **Cristi Michelle**  
**Nowakowski**, Lakewood, CO (US)

(\*\*) Term: **15 Years**

(21) Appl. No.: **29/685,556**

(22) Filed: **Mar. 28, 2019**

(51) **LOC (12) Cl.** ..... **12-16**

(52) **U.S. Cl.**  
USPC ..... **D12/193**

(58) **Field of Classification Search**  
USPC ..... D12/193; D6/300, 301, 302, 310, 311,  
D6/312, 313, 314; D20/13  
CPC ..... B60R 13/10; B60R 13/105; B60R 19/24;  
B60R 19/52  
See application file for complete search history.

(56) **References Cited**

**U.S. PATENT DOCUMENTS**

D279,667 S *	7/1985	Baron	.....	D12/193
D301,863 S *	6/1989	Iacovelli	.....	D12/193
D370,450 S *	6/1996	Doan	.....	D12/193
D382,241 S *	8/1997	Moureaux	.....	D12/193
D411,499 S *	6/1999	Porter	.....	D12/193
D412,876 S *	8/1999	Crecelius	.....	D12/193
D413,174 S *	8/1999	Mayer	.....	D26/28
D496,312 S *	9/2004	Sybilrud	.....	D12/193
D625,234 S *	10/2010	Vuletic	.....	D12/193

D784,879 S *	4/2017	Liao	.....	D12/193
D813,129 S *	3/2018	Hoffheinz	.....	D12/193
D822,566 S *	7/2018	Parnell	.....	D12/193
D824,307 S *	7/2018	Spencer	.....	D12/193
D847,713 S *	5/2019	Swisher	.....	D12/193
D875,628 S *	2/2020	Gloodt	.....	D12/193

\* cited by examiner

*Primary Examiner* — Natasha Vujcic

(74) *Attorney, Agent, or Firm* — Quickpatents, LLC;  
Kevin Prince

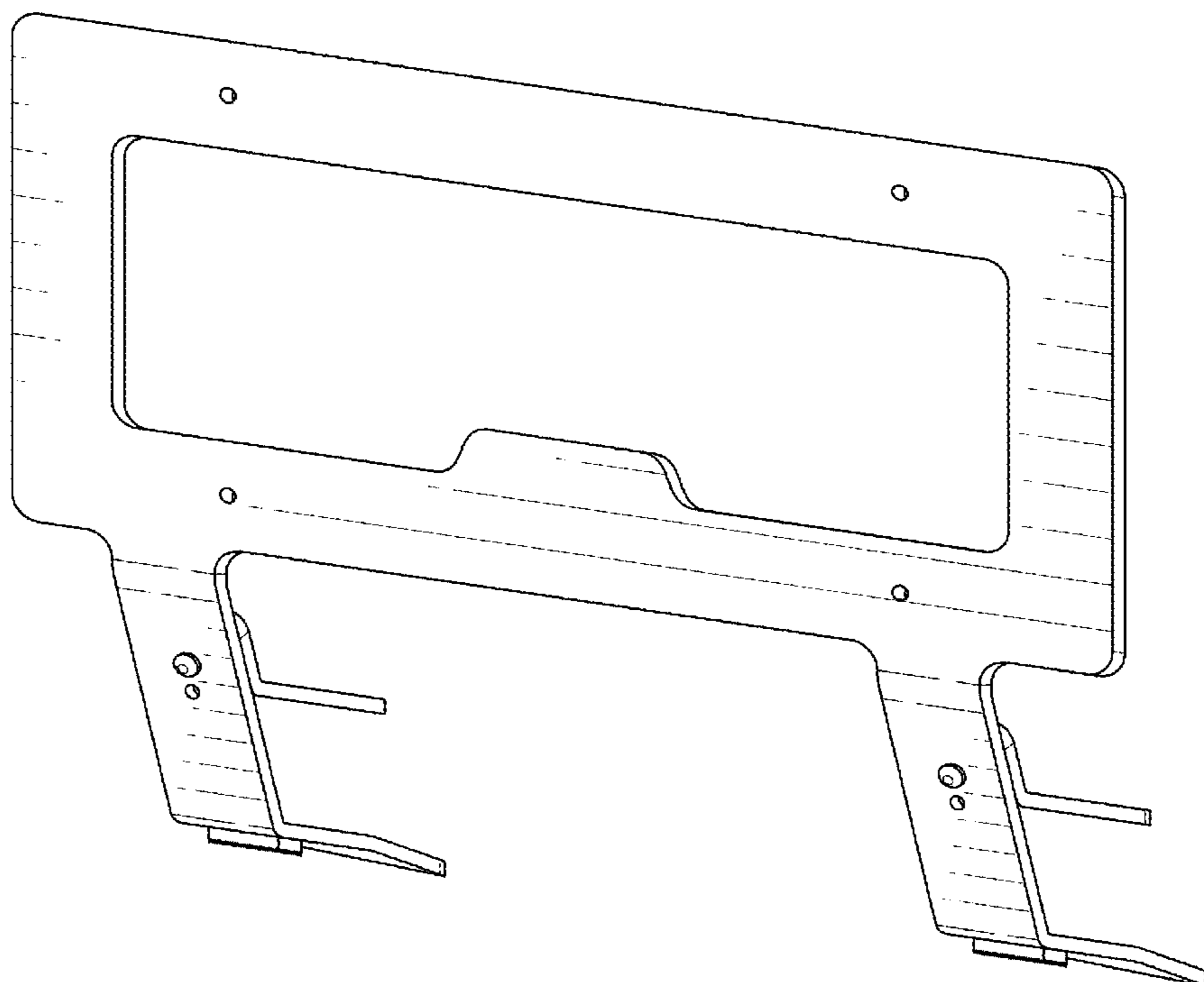
(57) **CLAIM**

The ornamental design for a license plate mounting bracket,  
as shown and described.

**DESCRIPTION**

FIG. 1 is a perspective view of a license plate mounting bracket, showing a first embodiment of our new design; FIG. 2 is a front elevational view of FIG. 1; FIG. 3 is a rear elevational view of FIG. 1; FIG. 4 is a left-side elevational view of FIG. 1; FIG. 5 is a right-side elevational view of FIG. 1; FIG. 6 is a top plan view of FIG. 1; FIG. 7 is a bottom plan view of FIG. 1; FIG. 8 is a perspective view of a second embodiment thereof; FIG. 9 is a front elevational view of FIG. 8; FIG. 10 is a rear elevational view of FIG. 8; FIG. 11 is a left-side elevational view of FIG. 8; FIG. 12 is a right-side elevational view of FIG. 8; FIG. 13 is a top plan view of FIG. 8; and, FIG. 14 is a bottom plan view of FIG. 8.

**1 Claim, 8 Drawing Sheets**



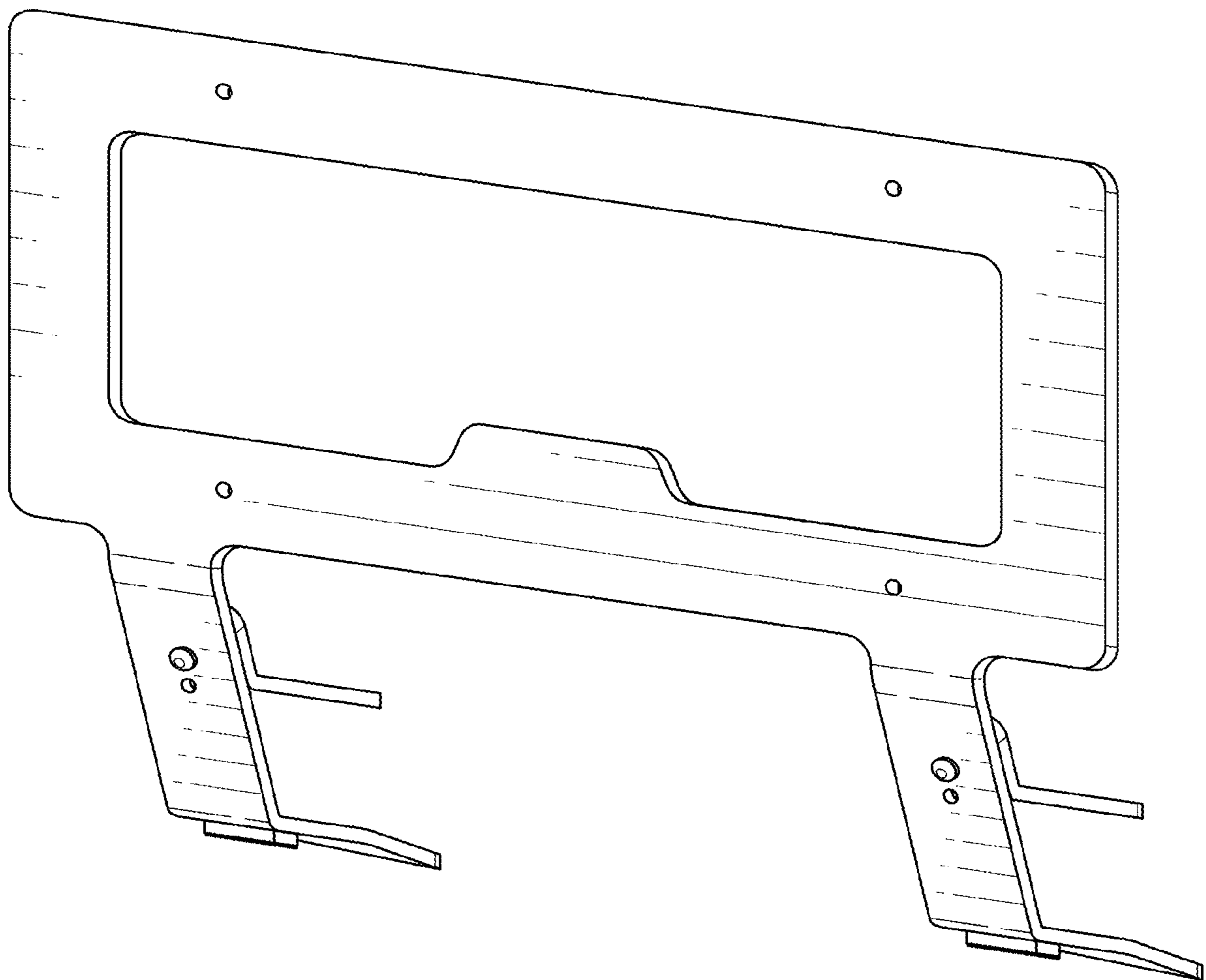


FIG. 1

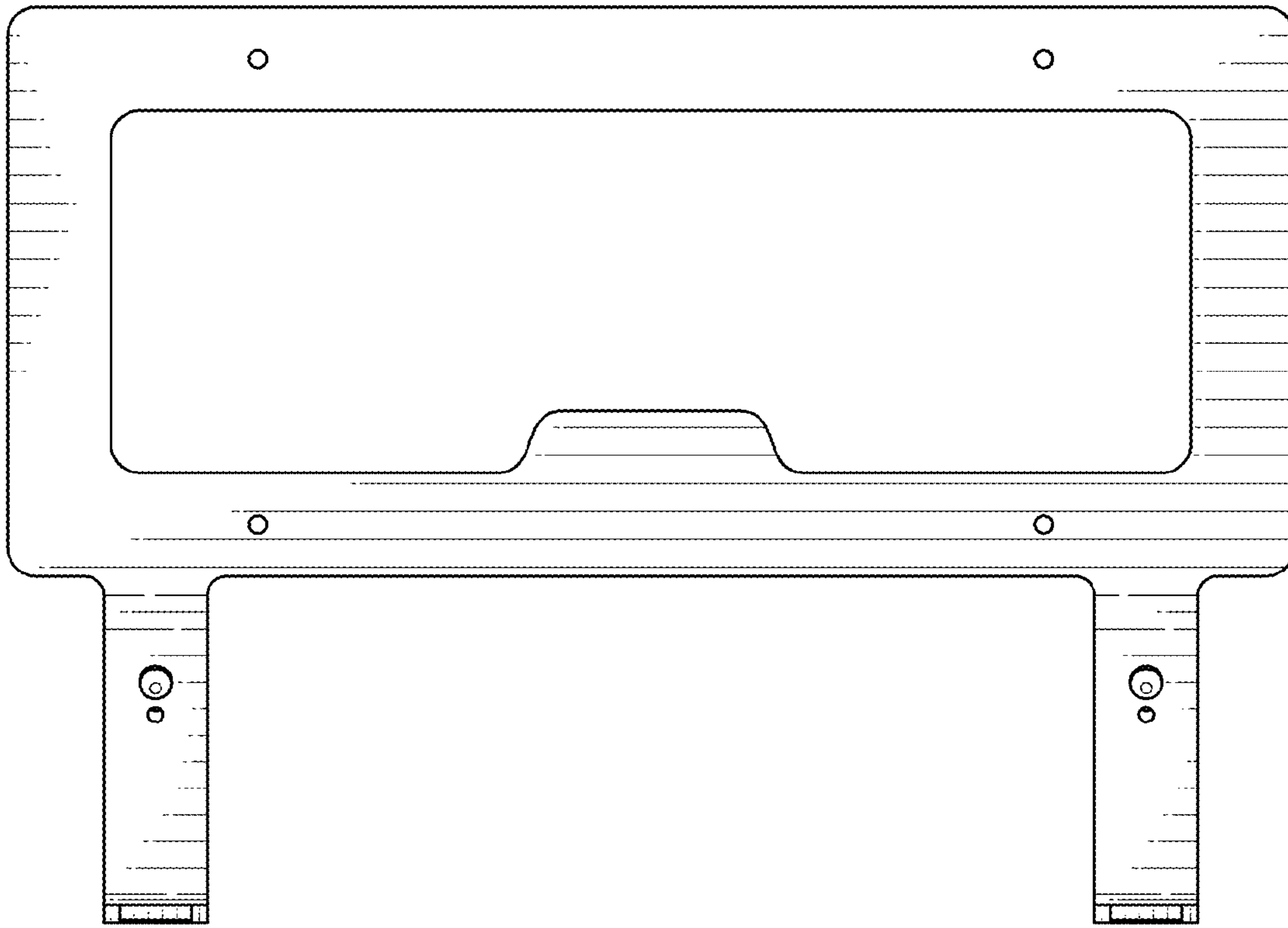


FIG. 2

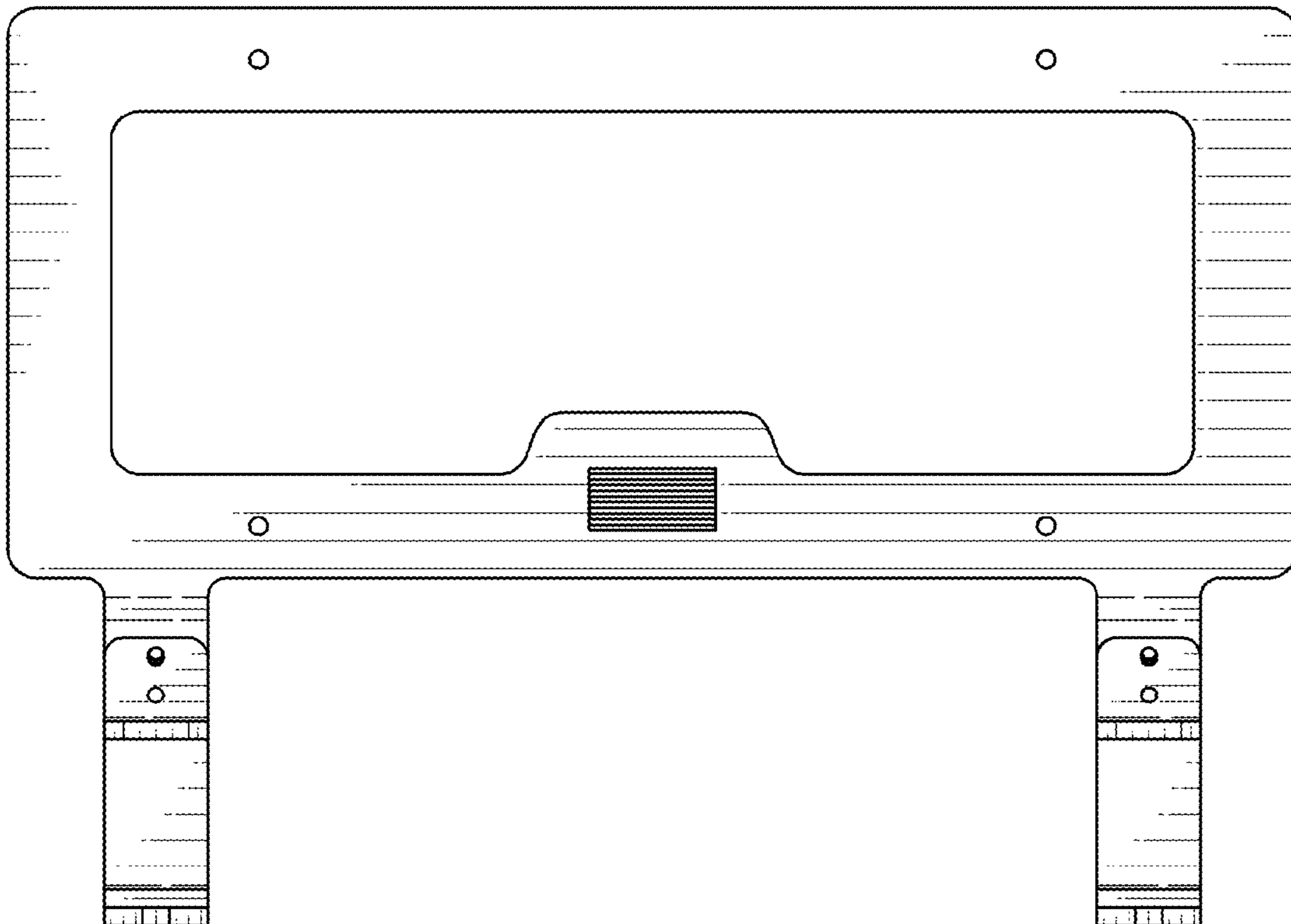


FIG. 3

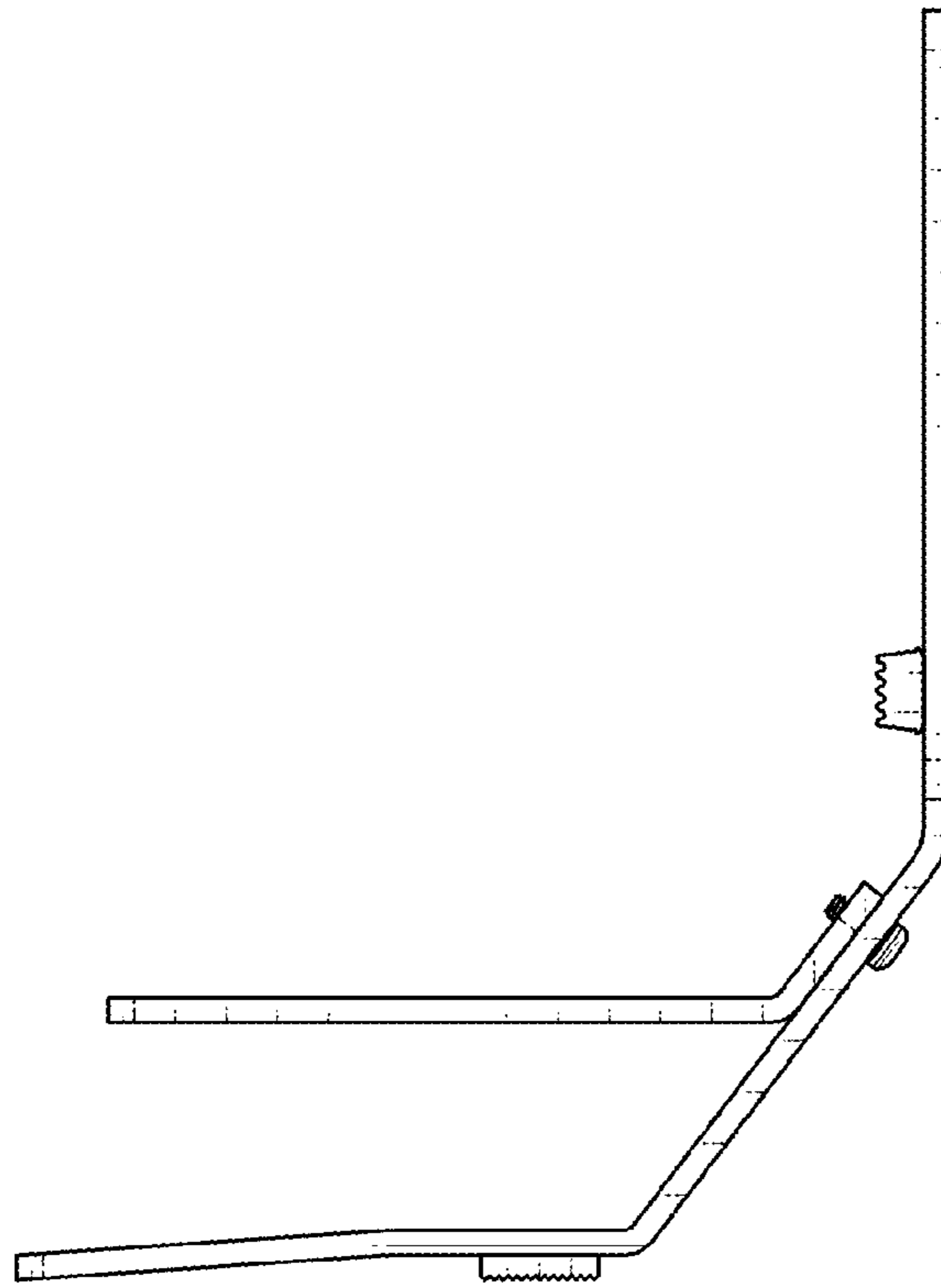


FIG. 4

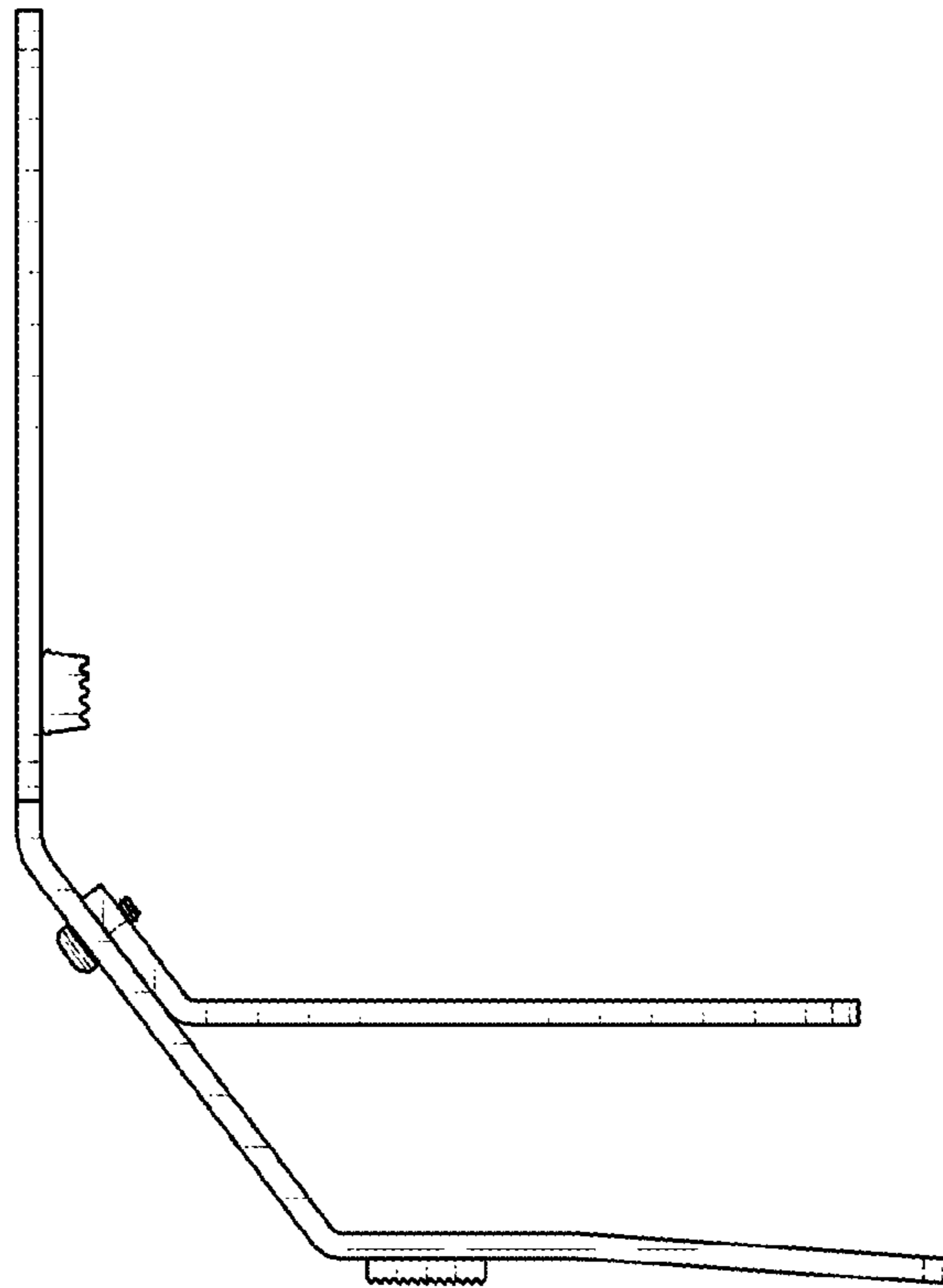


FIG. 5

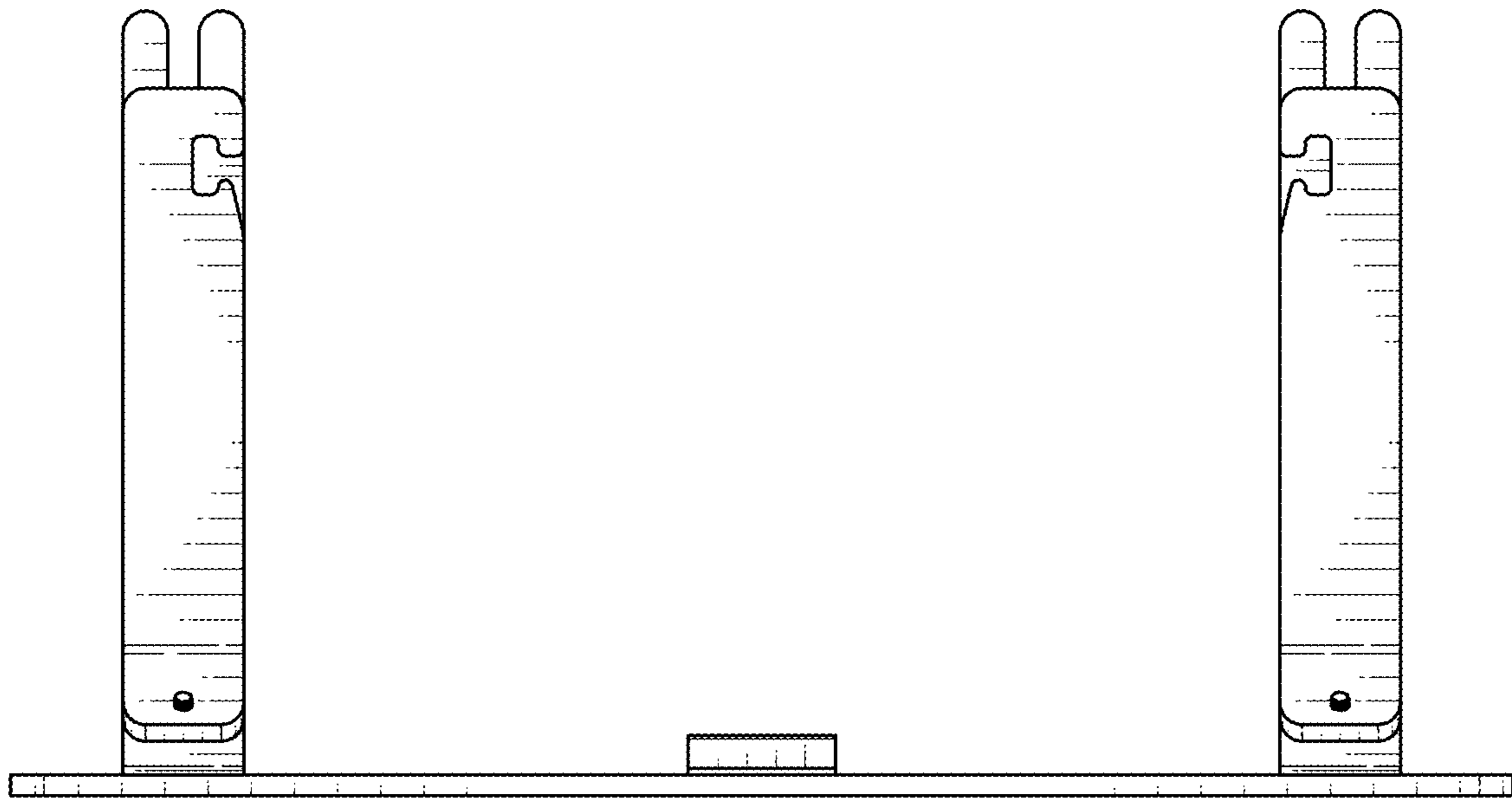


FIG. 6

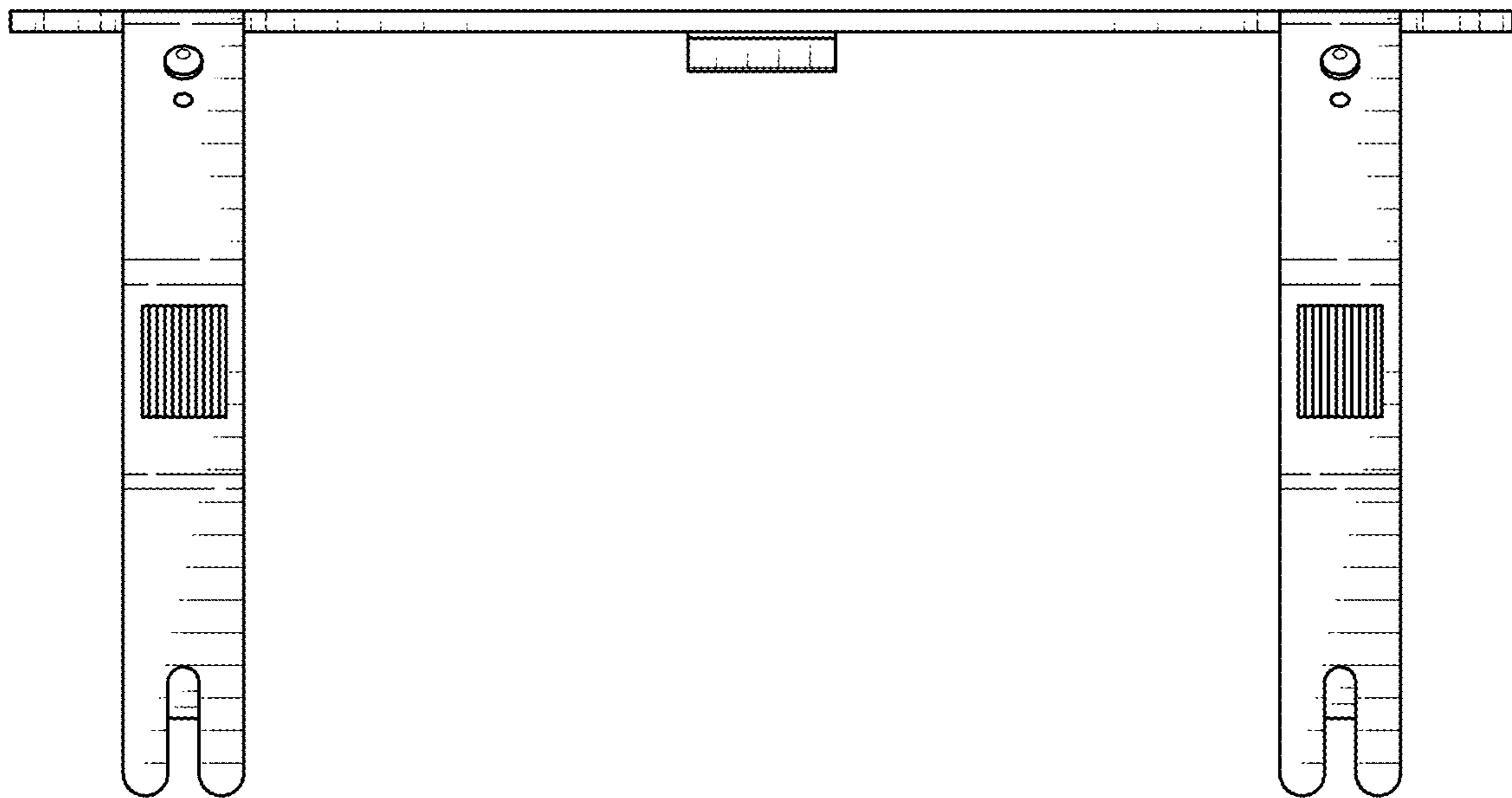


FIG. 7

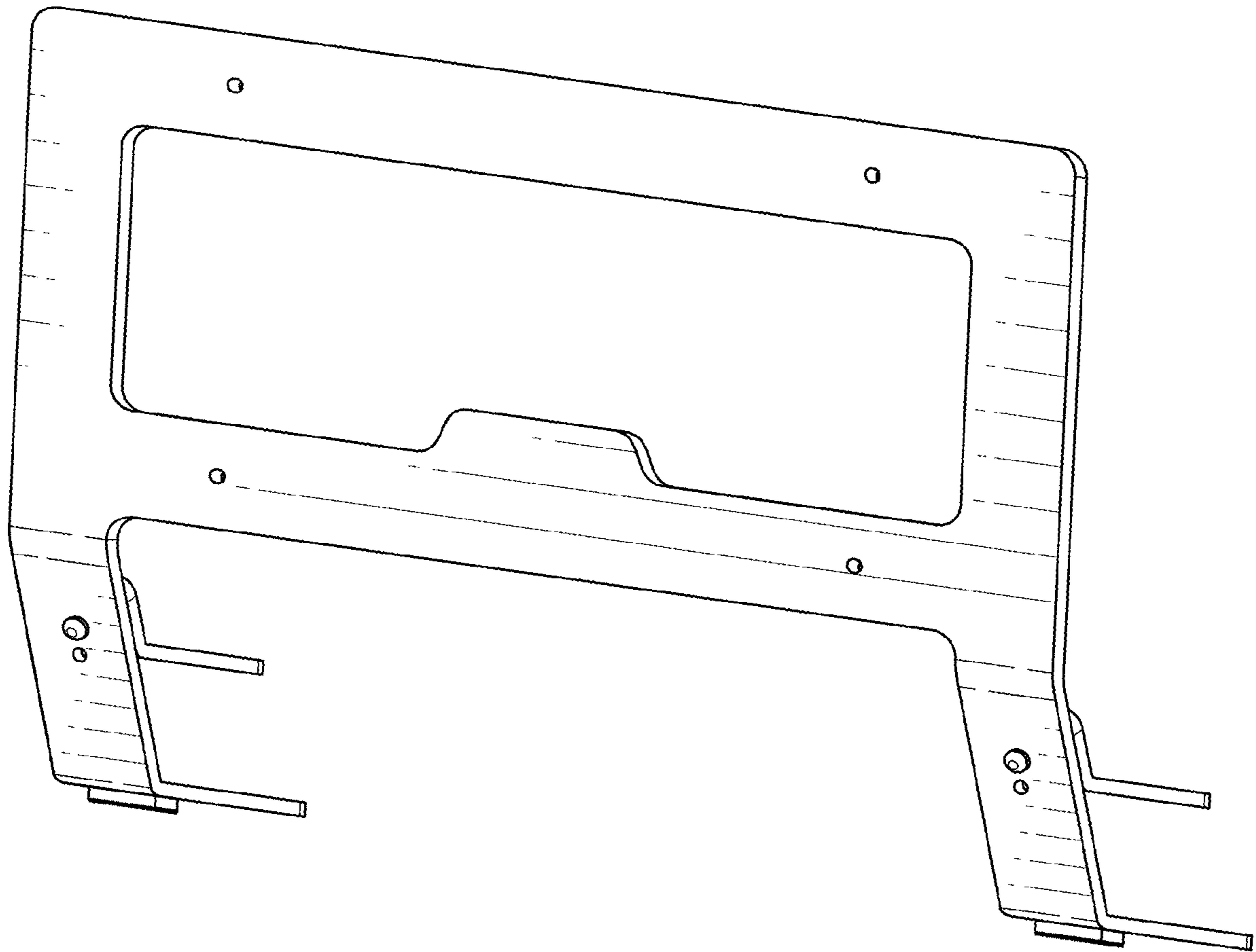


FIG. 8

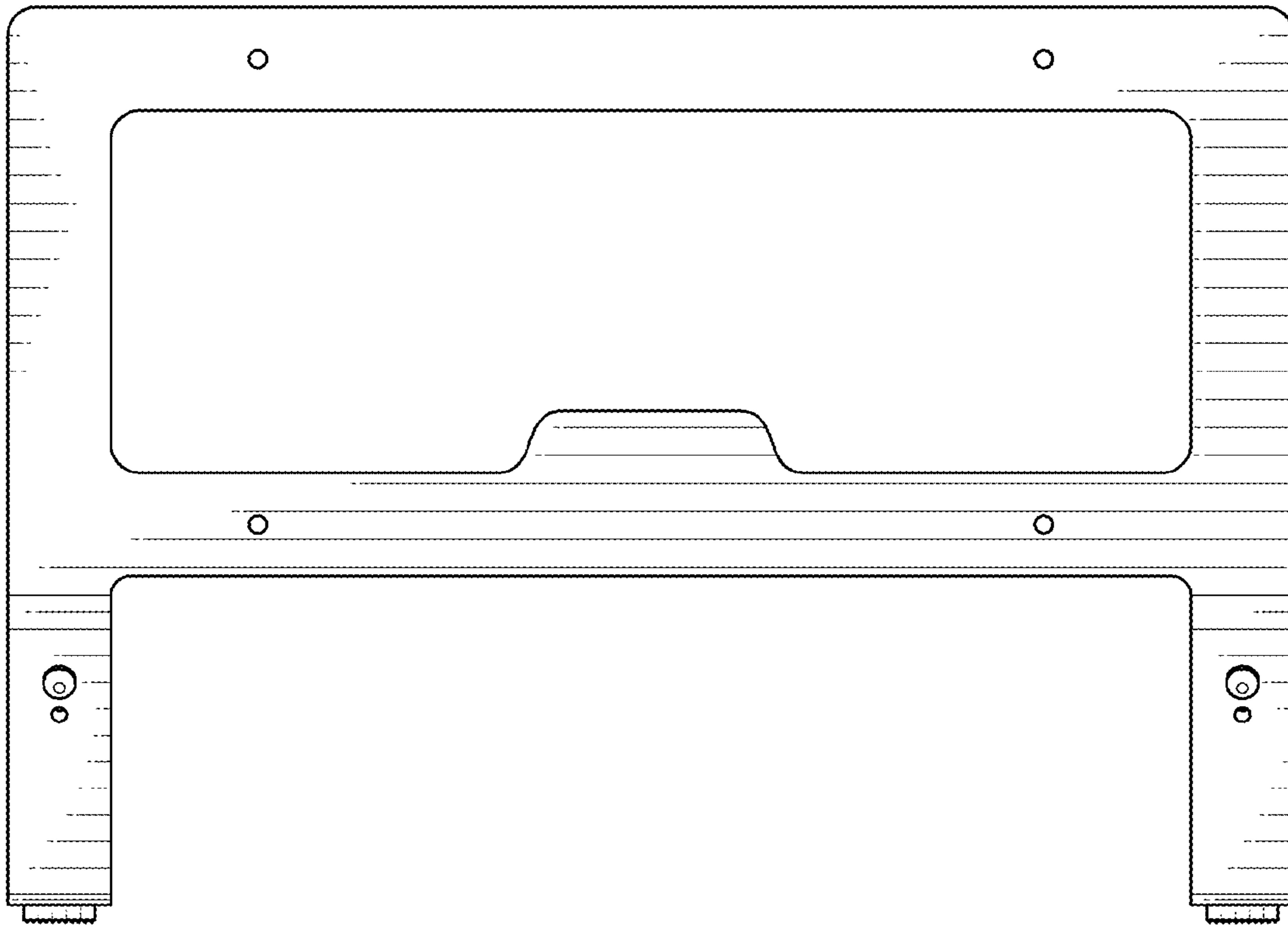


FIG. 9

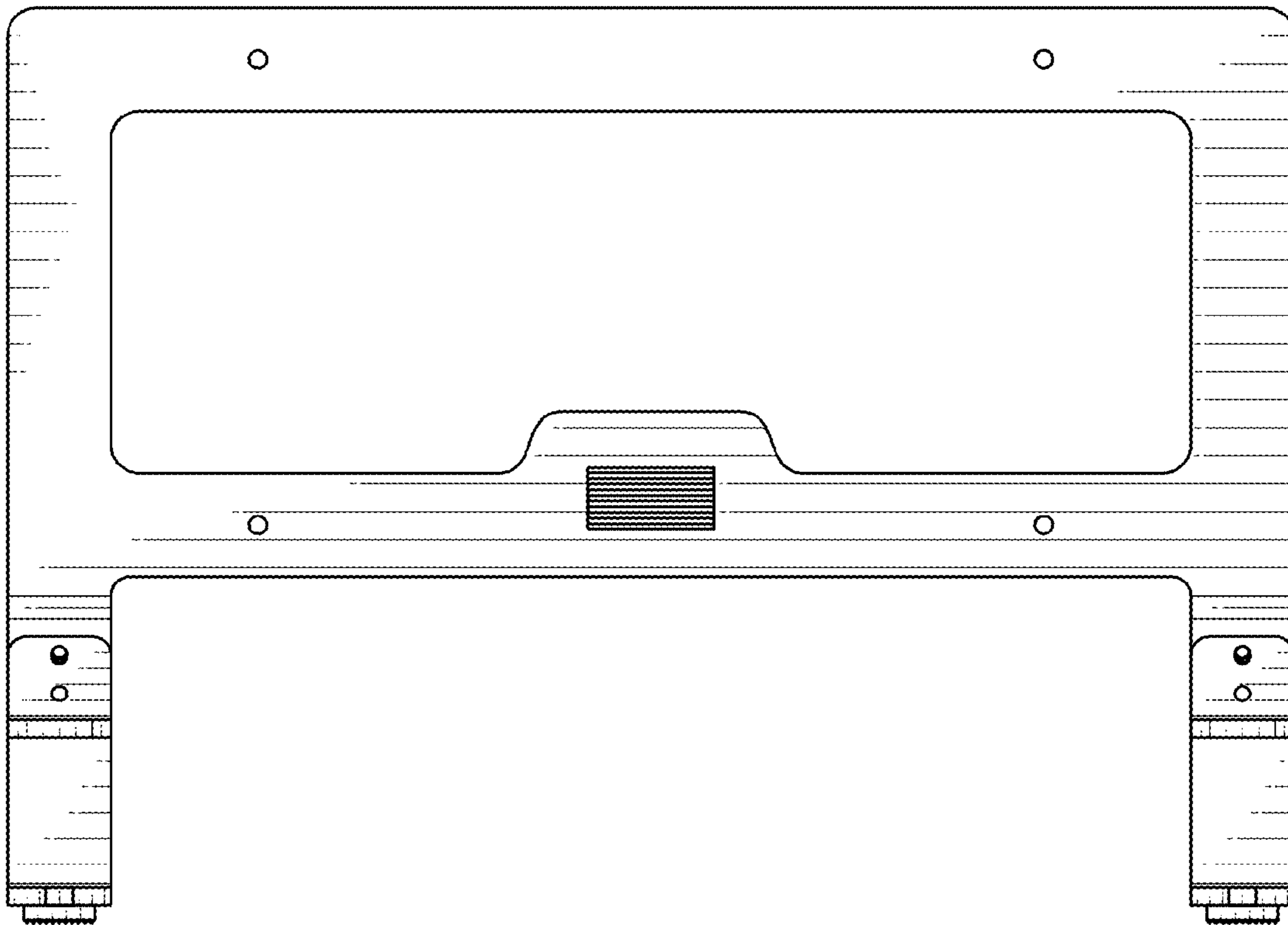


FIG. 10

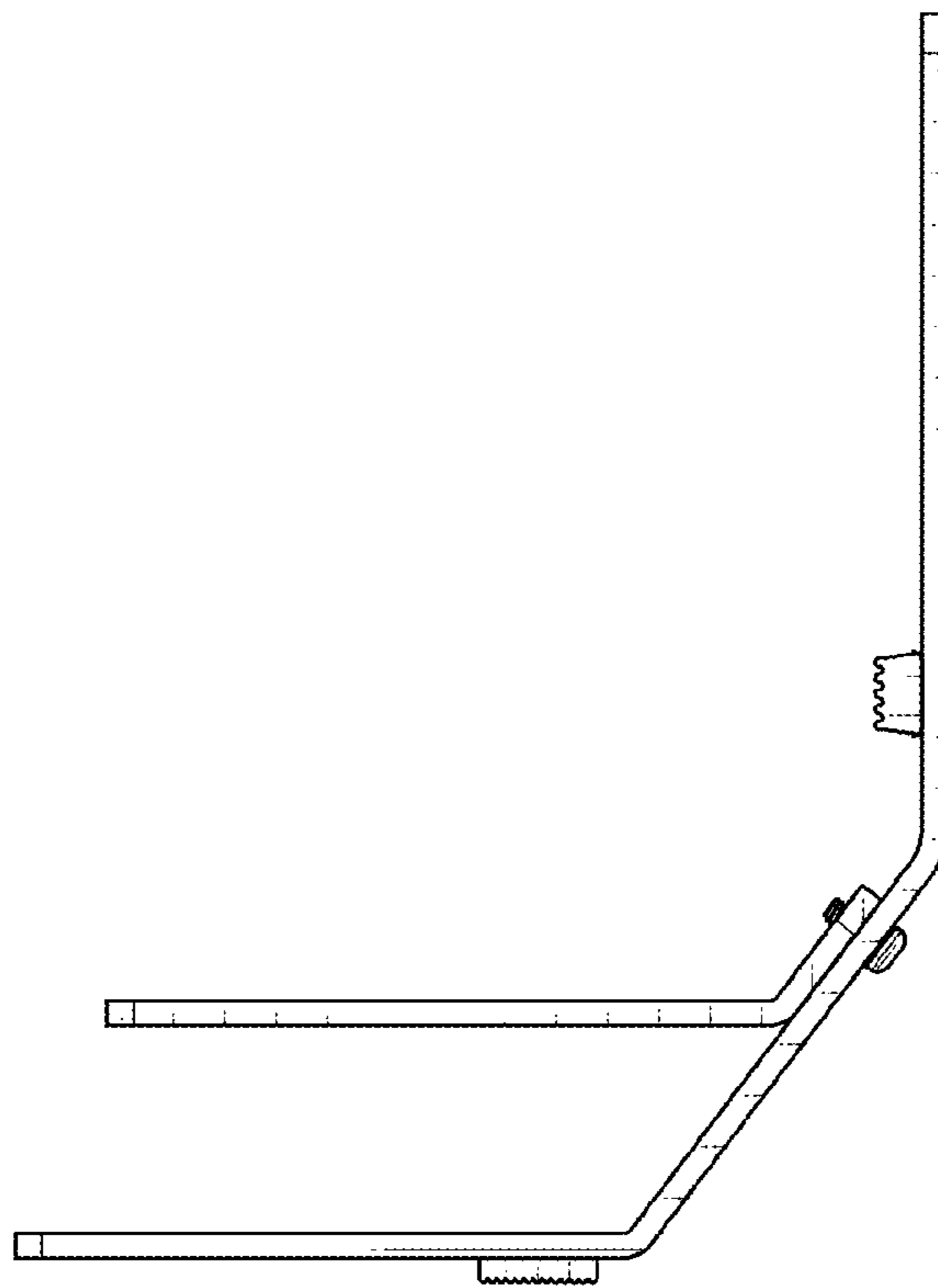


FIG. 11

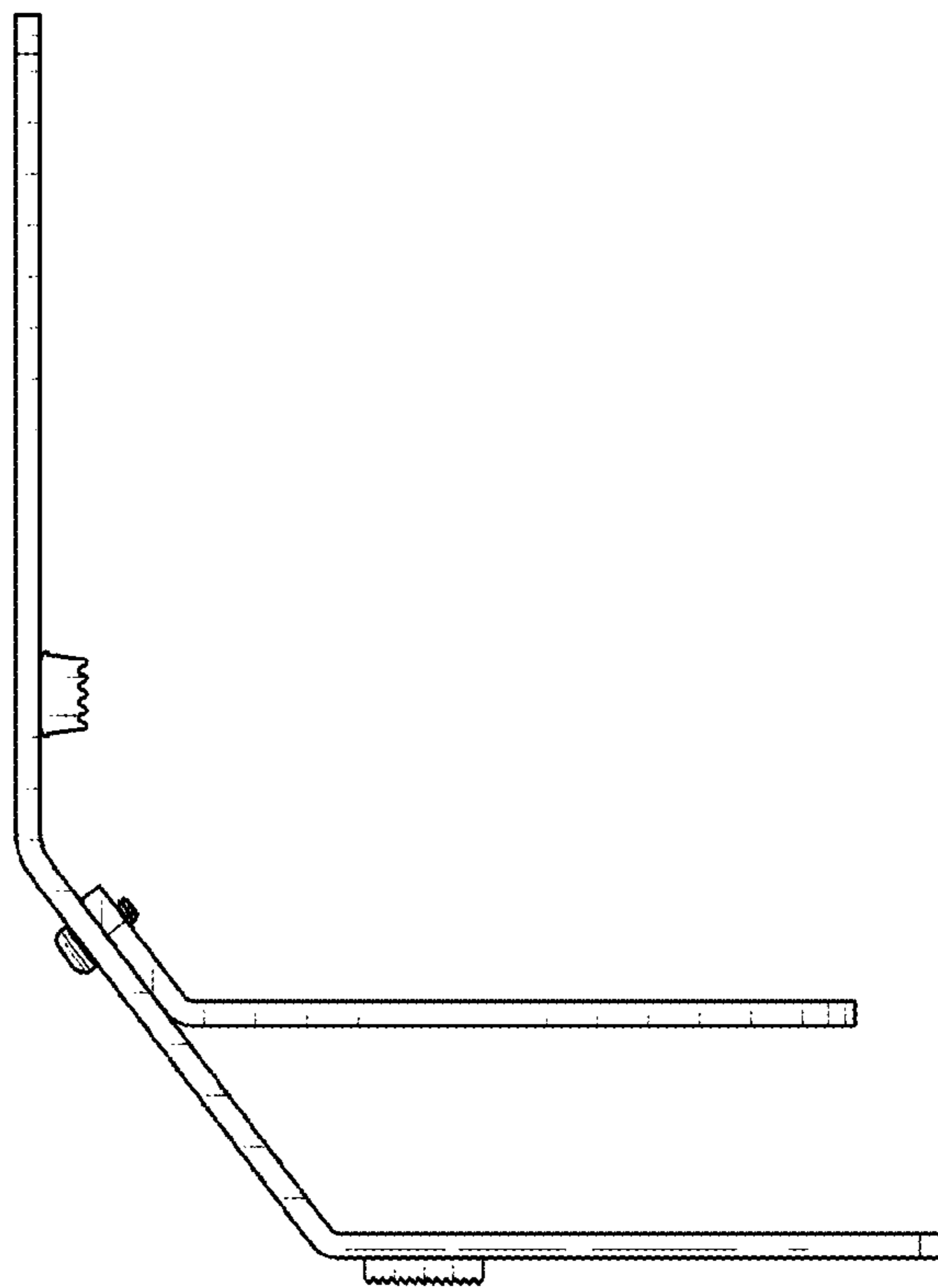


FIG. 12



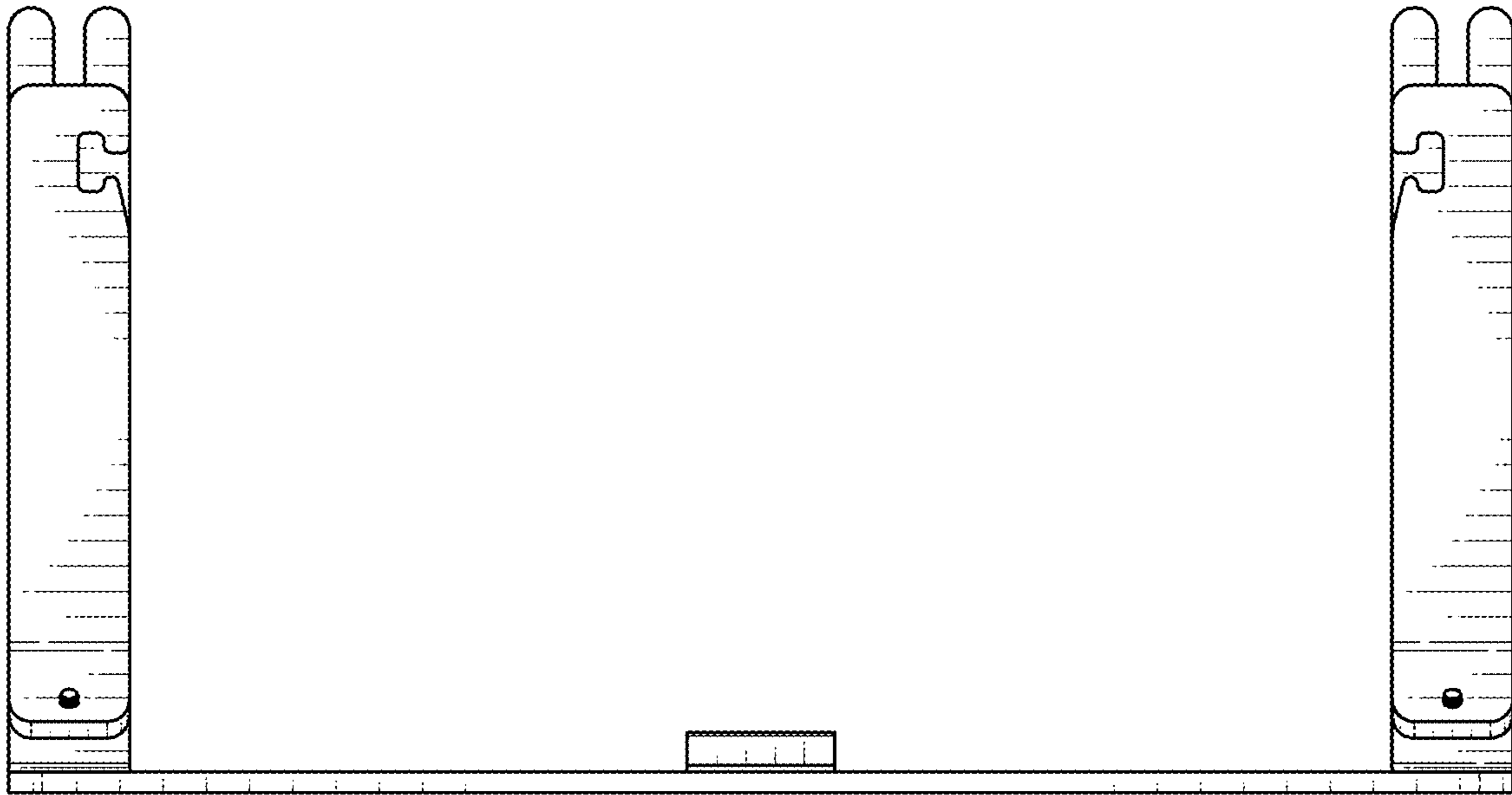


FIG. 13

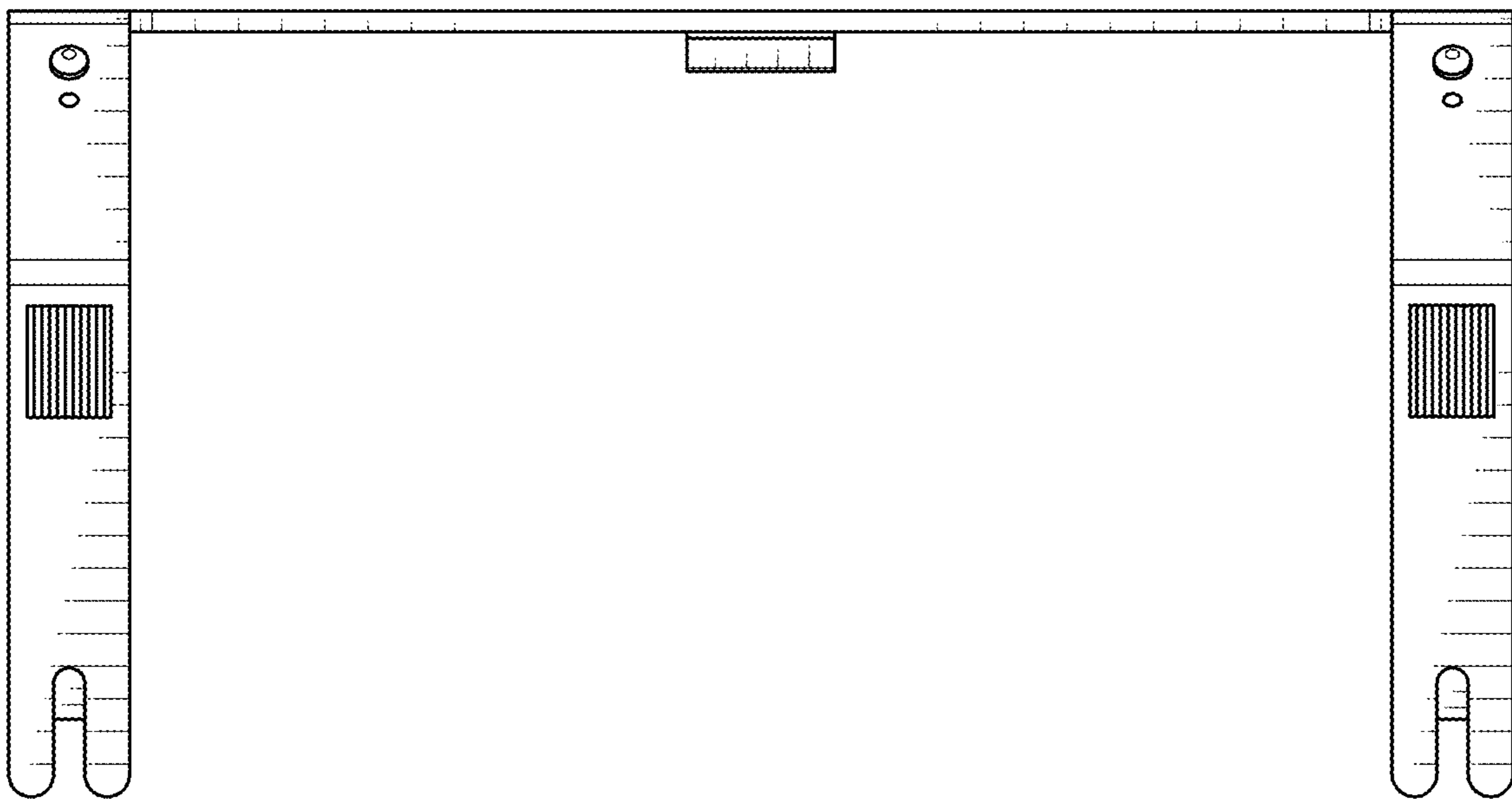


FIG. 14