

US00D890662S

(12) **United States Design Patent** (10) **Patent No.:** **US D890,662 S**
Hong et al. (45) **Date of Patent:** **** Jul. 21, 2020**

(54) **DASHBOARD FOR VEHICLE**

(74) *Attorney, Agent, or Firm* — NSIP Law

(71) Applicant: **Samsung Electronics Co., Ltd.**,
Suwon-si (KR)

(57) **CLAIM**

We claim the ornamental design for a dashboard for vehicle,
as shown and described.

(72) Inventors: **Kwaneui Hong**, Suwon-si (KR);
Sungkwon Kim, Suwon-si (KR);
Jeisung Park, Suwon-si (KR)

DESCRIPTION

(73) Assignee: **Samsung Electronics Co., Ltd.**,
Suwon-si (KR)

FIG. 1 is a front perspective view of a dashboard for vehicle showing our new design according to a first embodiment; FIG. 2 is a front view thereof; FIG. 3 is a rear view thereof; FIG. 4 is a left-side view thereof; FIG. 5 is a right-side view thereof; FIG. 6 is a top view thereof; FIG. 7 is a bottom view thereof; FIG. 8 is another front perspective view thereof; FIG. 9 is a front perspective view of a dashboard for vehicle showing our new design according to a second embodiment; FIG. 10 is a front view thereof; FIG. 11 is a rear view thereof; FIG. 12 is a left-side view thereof; FIG. 13 is a right-side view thereof; FIG. 14 is a top view thereof; FIG. 15 is a bottom view thereof; FIG. 16 another front perspective view thereof; FIG. 17 is an enlarged view of the portion 17 encircled in FIG. 9; FIG. 18 is an enlarged view of the portion 18 encircled in FIG. 10; and, FIG. 19 is a front perspective view thereof showing an example state of use.

(**) Term: **15 Years**

(21) Appl. No.: **29/684,823**

(22) Filed: **Mar. 25, 2019**

(30) **Foreign Application Priority Data**

Dec. 20, 2018 (KR) 30-2018-0060642

(51) **LOC (12) Cl.** **12-16**

(52) **U.S. Cl.**
USPC **D12/192**

(58) **Field of Classification Search**
USPC D12/192, 415, 114, 345; D15/17, 28;
D10/46, 98, 102–103, 122–12; D23/324
(Continued)

(56) **References Cited**

U.S. PATENT DOCUMENTS

D210,770 S * 4/1968 Geiger et al. D12/192
6,464,281 B2 * 10/2002 Volkmann B60K 37/00
224/926

(Continued)

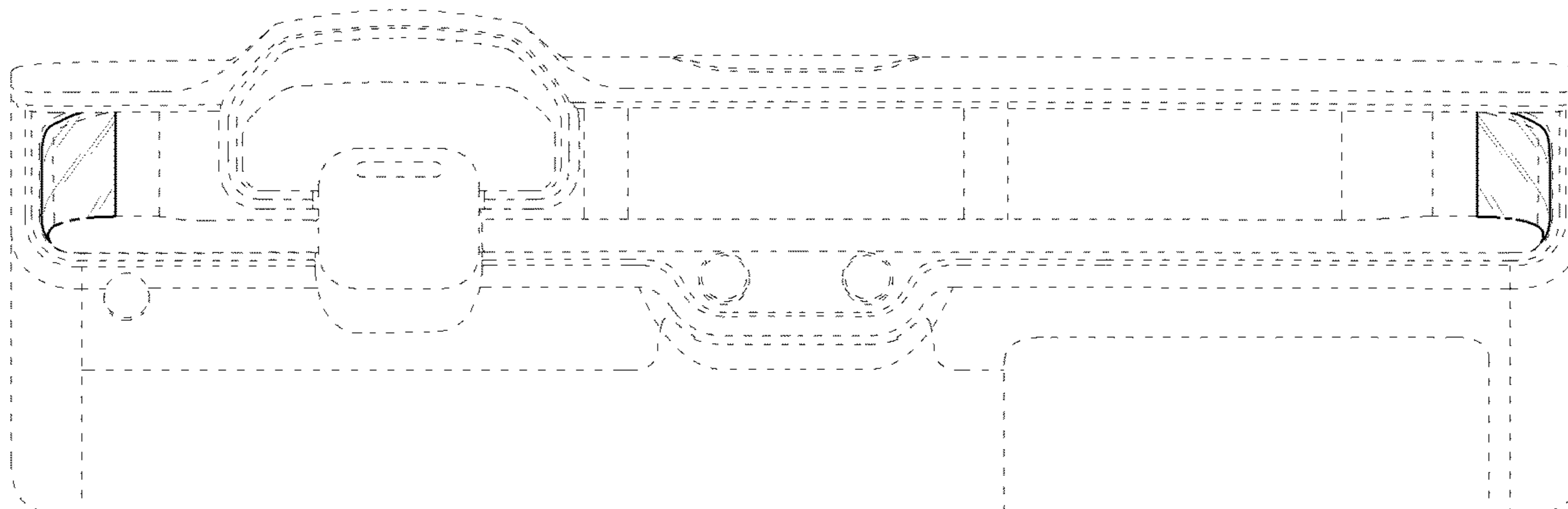
FOREIGN PATENT DOCUMENTS

CN 201630286823 10/2016
CN 201730259136 11/2017

(Continued)

Primary Examiner — Katrina A Betton

1 Claim, 17 Drawing Sheets



(58) **Field of Classification Search**

CPC B60H 1/34; B60H 1/3407; B60H 1/3414;
B60H 1/3421; B60H 1/3428; B60H
1/3435; B60H 1/3442; B60H 1/345;
B60H 1/3457; B60H 2001/3464; B60H
2001/3471; B60H 2001/3478; B60H
2001/3485

See application file for complete search history.

(56) **References Cited**

U.S. PATENT DOCUMENTS

D469,391	S	*	1/2003	Pfeiffer	D12/192
D480,671	S	*	10/2003	Pfeiffer	D12/192
D492,631	S	*	7/2004	Pfeiffer	D12/192
D493,757	S	*	8/2004	Pfeiffer	D12/192
D622,195	S	*	8/2010	Lester	D12/192
D634,467	S	*	3/2011	Chen	D26/118
D801,245	S	*	10/2017	Giolito	D12/192
D809,967	S	*	2/2018	Lampkin	D12/16
D825,420	S	*	8/2018	Boyes	D12/192
D843,288	S	*	3/2019	Fontaeus	D12/192
D862,336	S	*	10/2019	Song	D12/192

FOREIGN PATENT DOCUMENTS

KR	30-2018-0000829	9/2018
KR	30-2017-0047743	12/2018
WO	DM/099 177	4/2017

* cited by examiner

FIG. 1

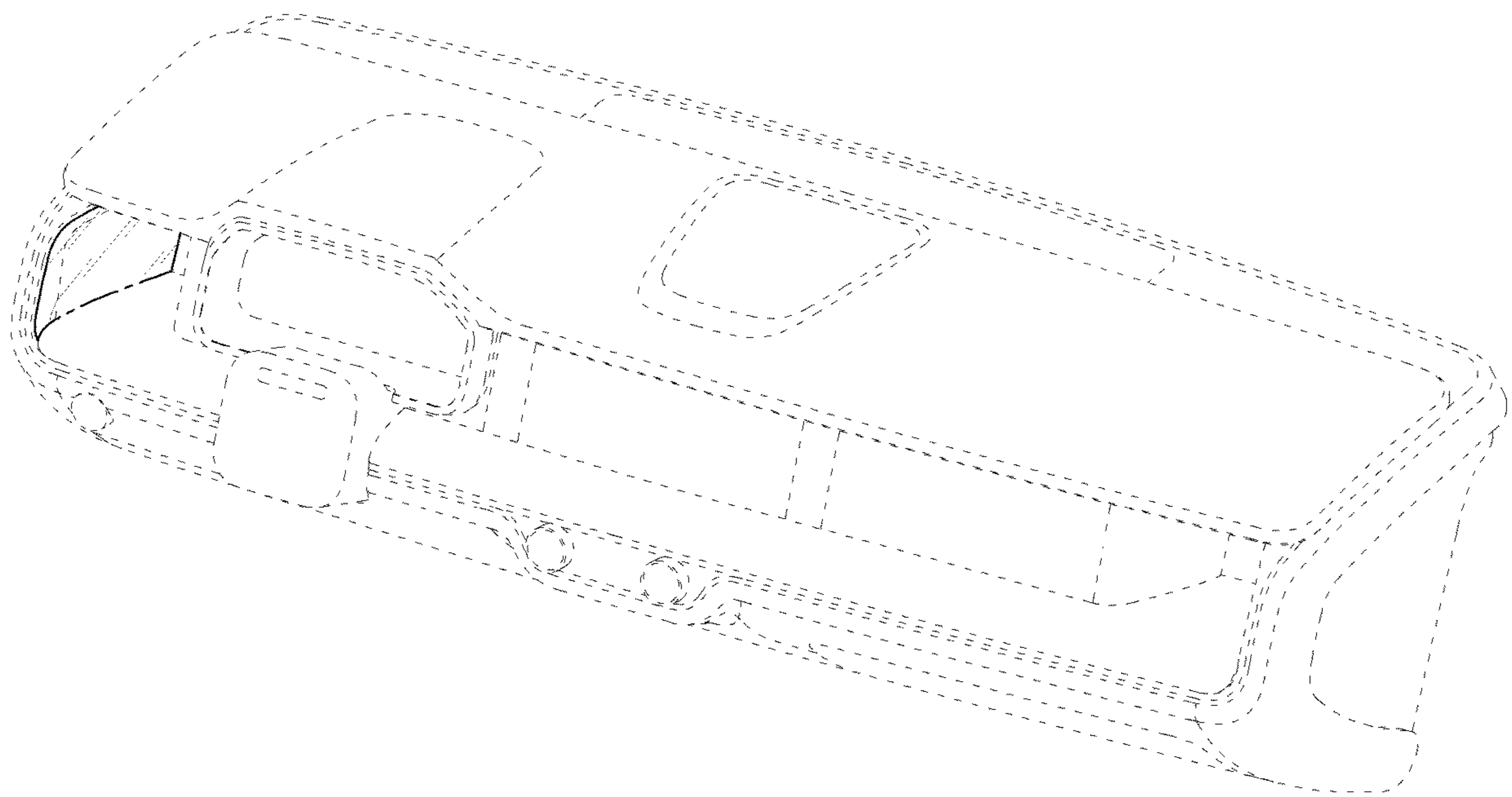


FIG. 2

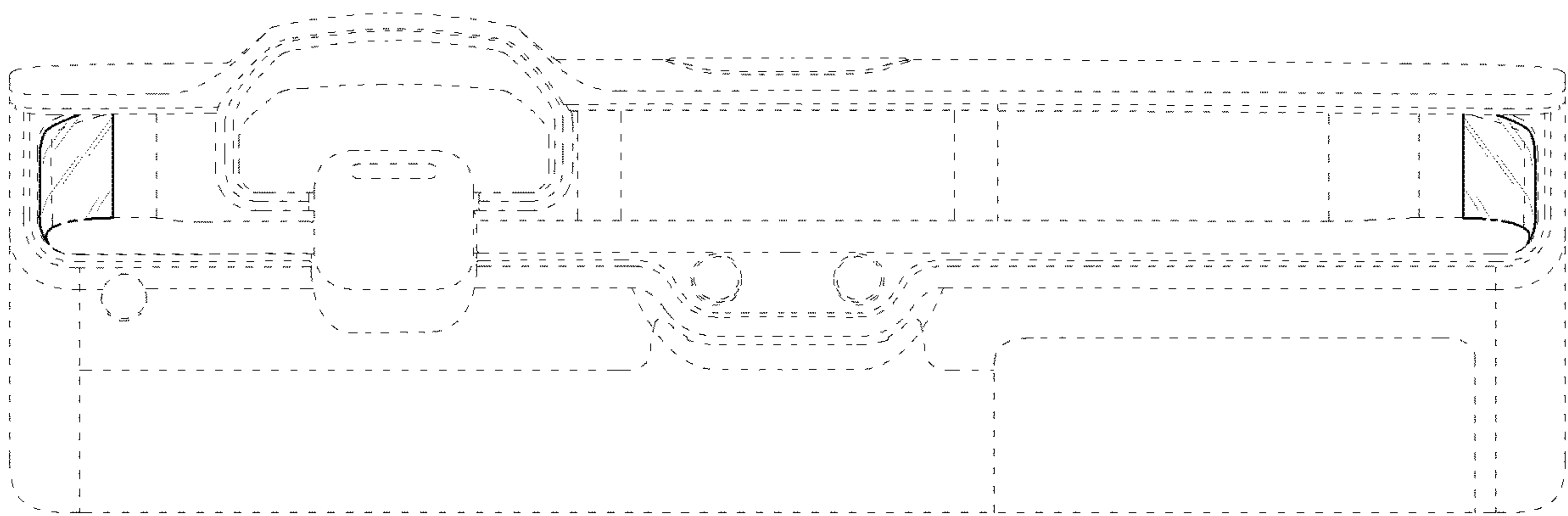


FIG. 3

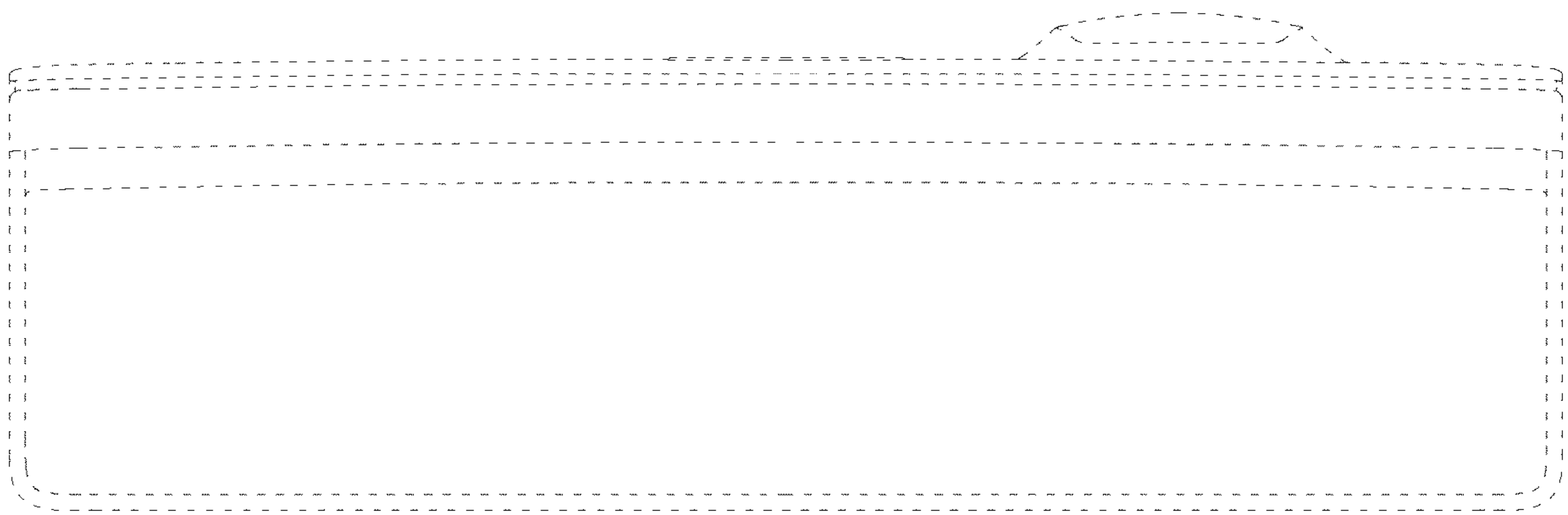


FIG. 4

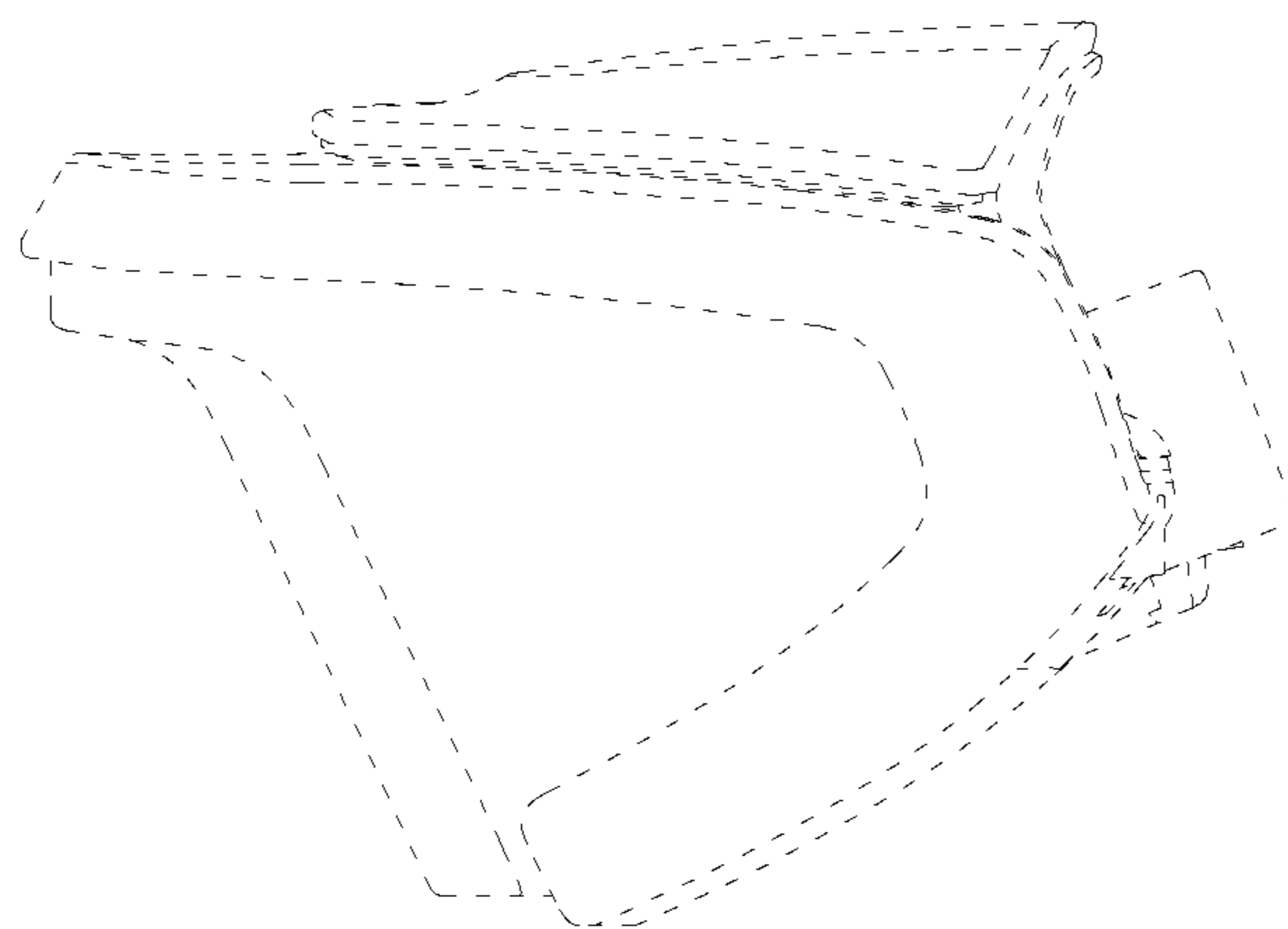


FIG. 5

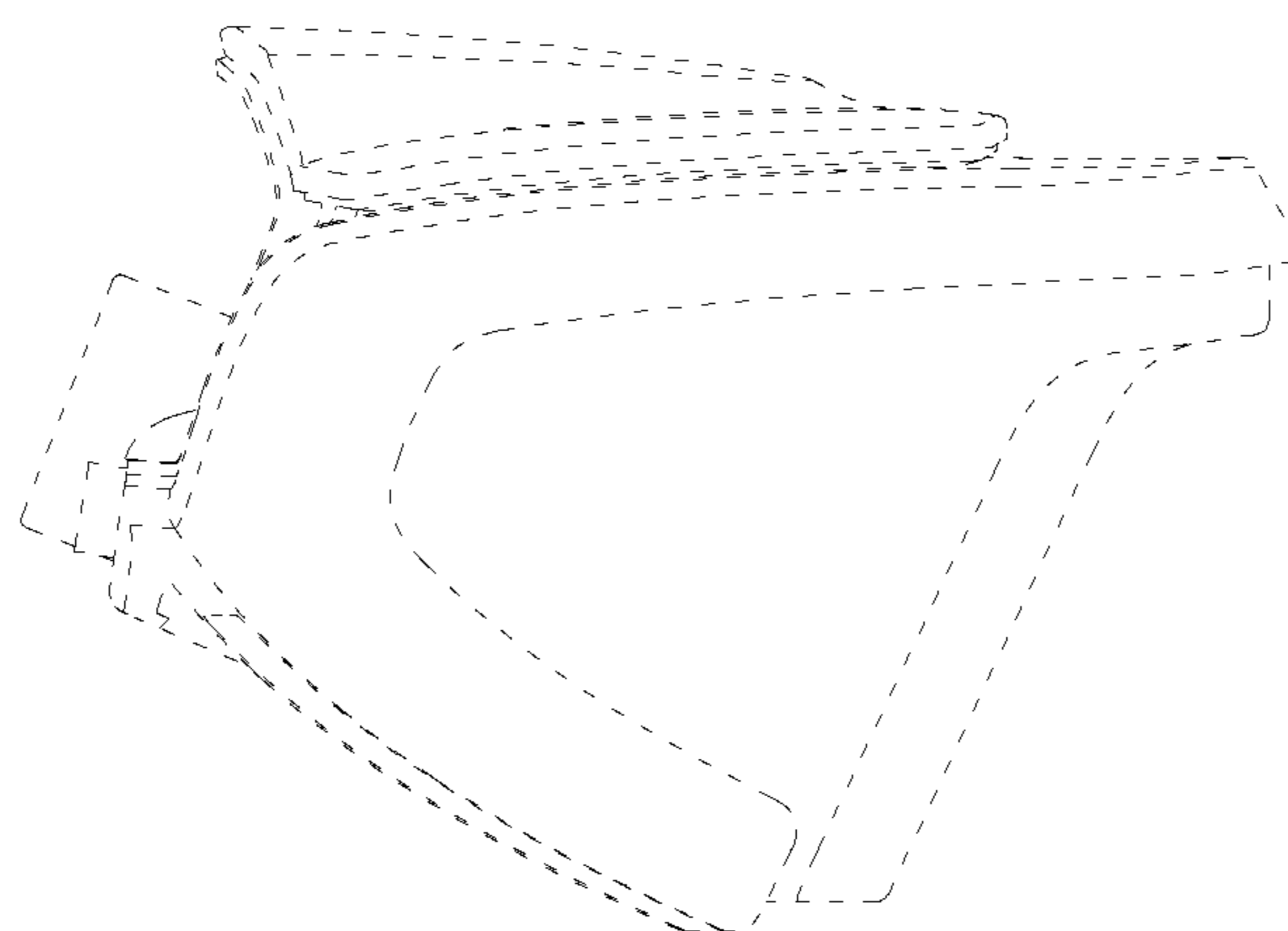


FIG. 6

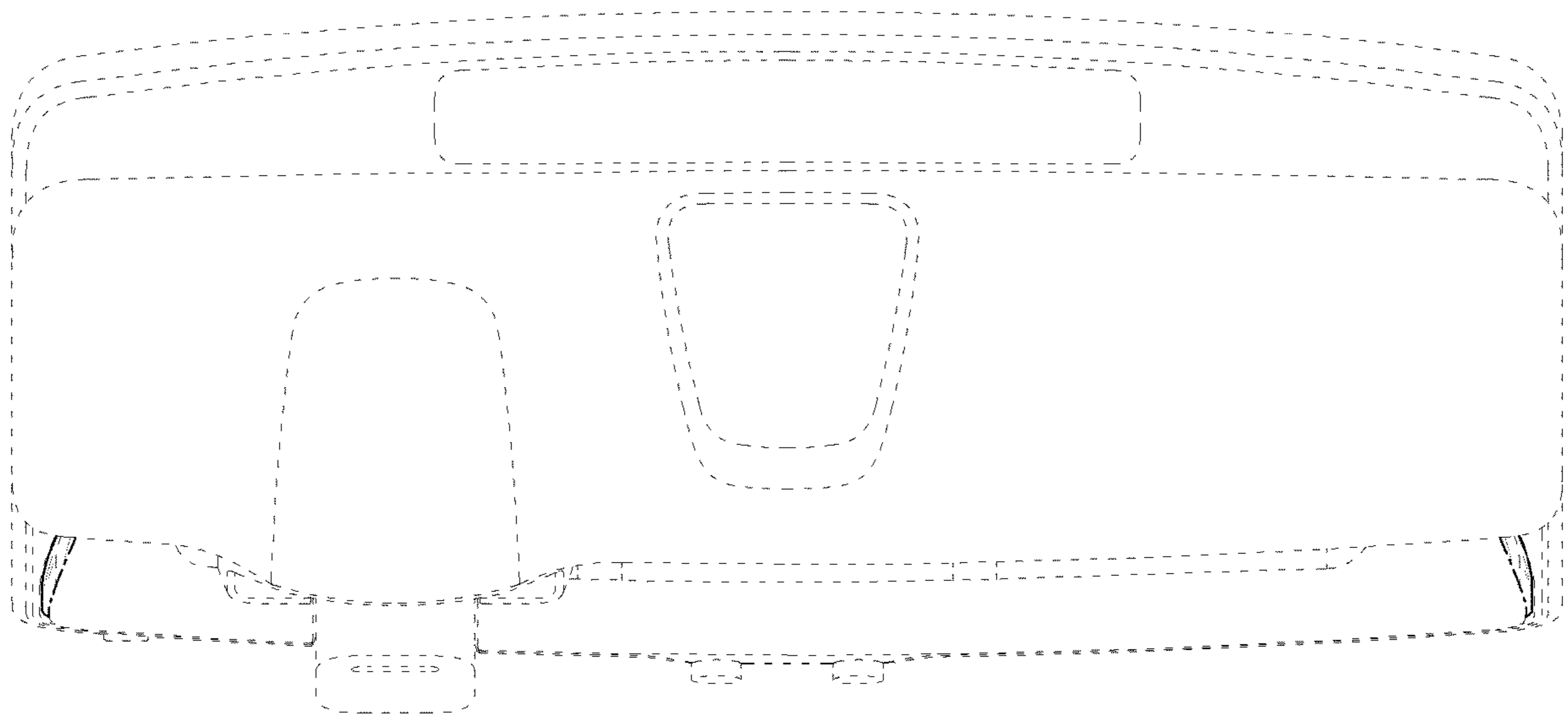


FIG. 7

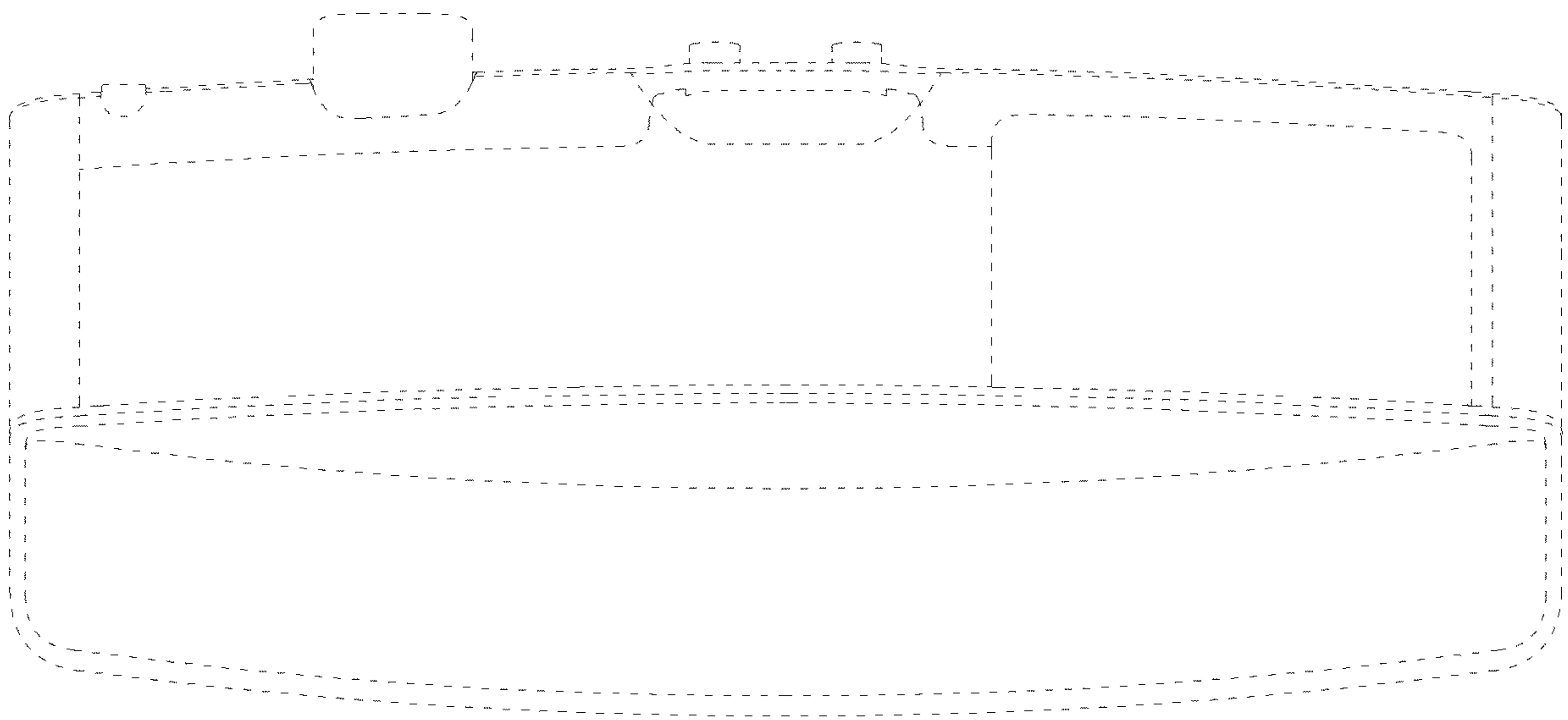


FIG. 8

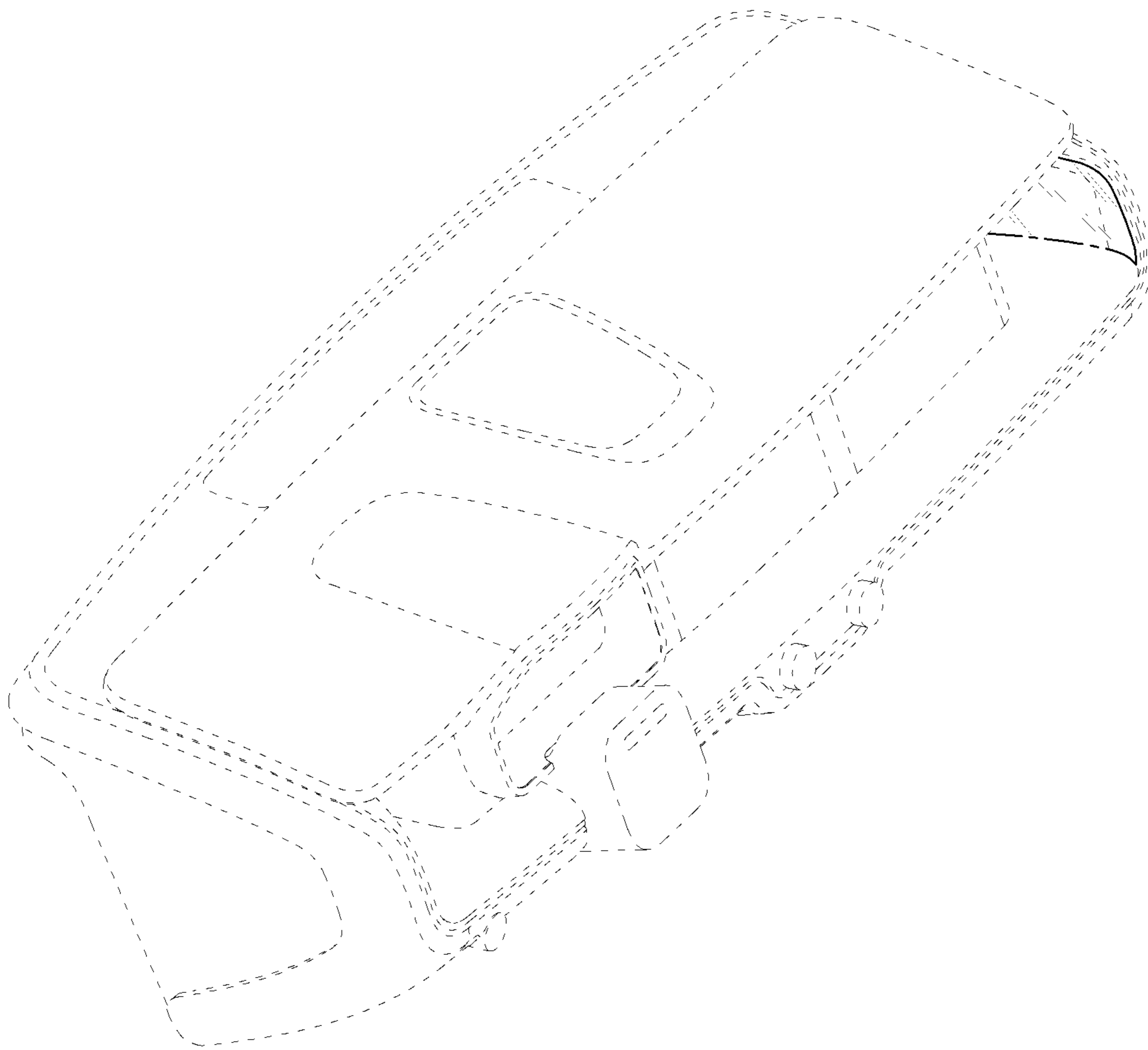


FIG. 9

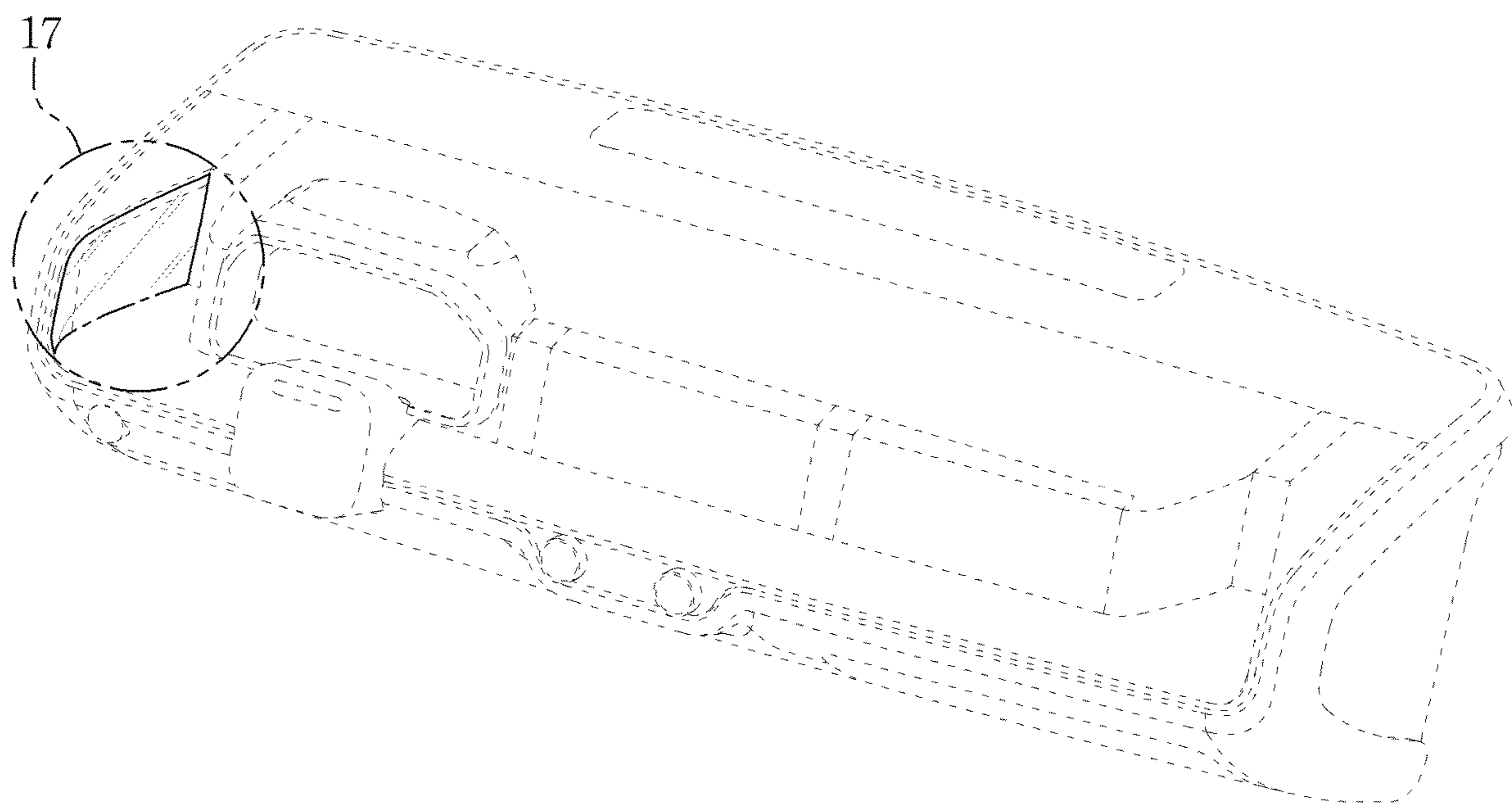


FIG. 10

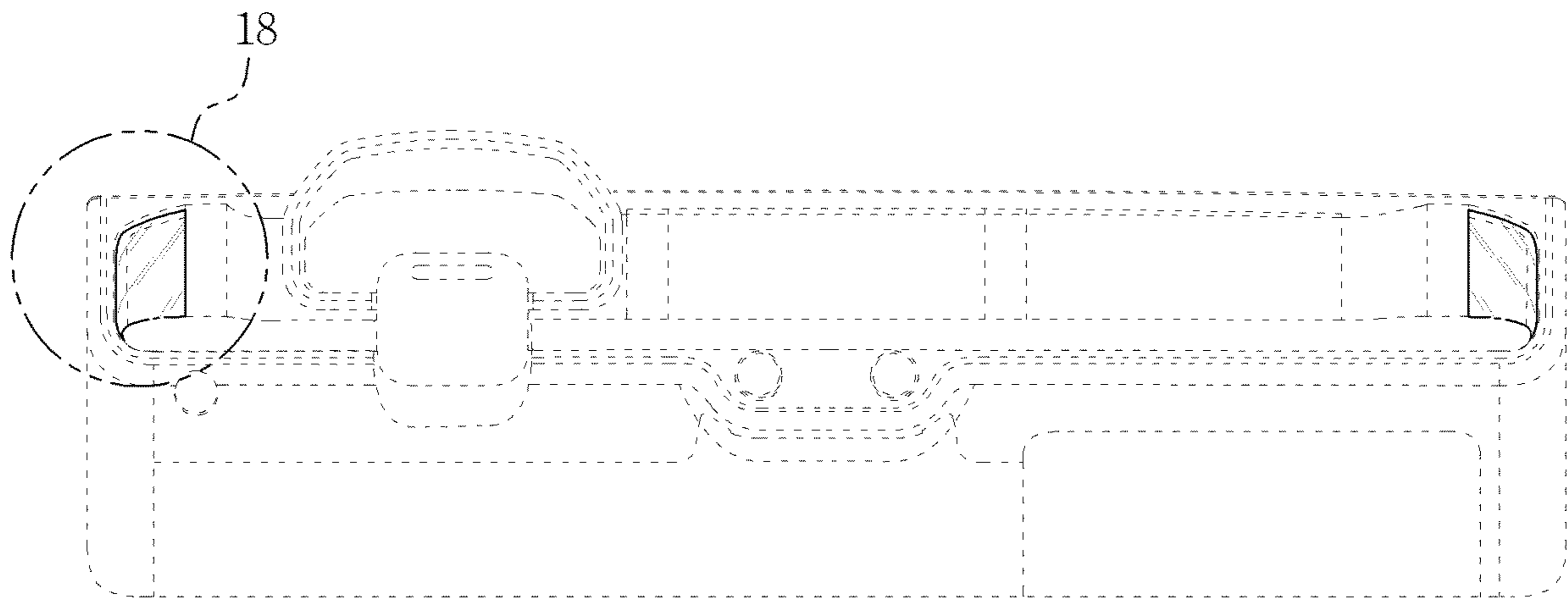


FIG. 11

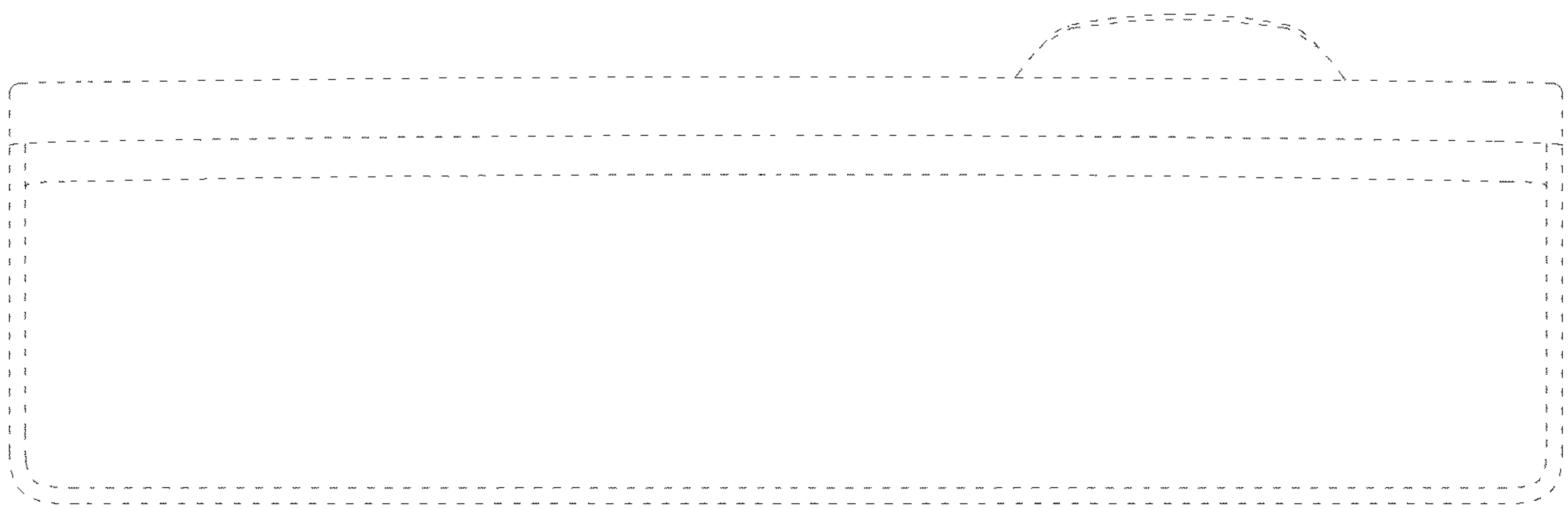


FIG. 12

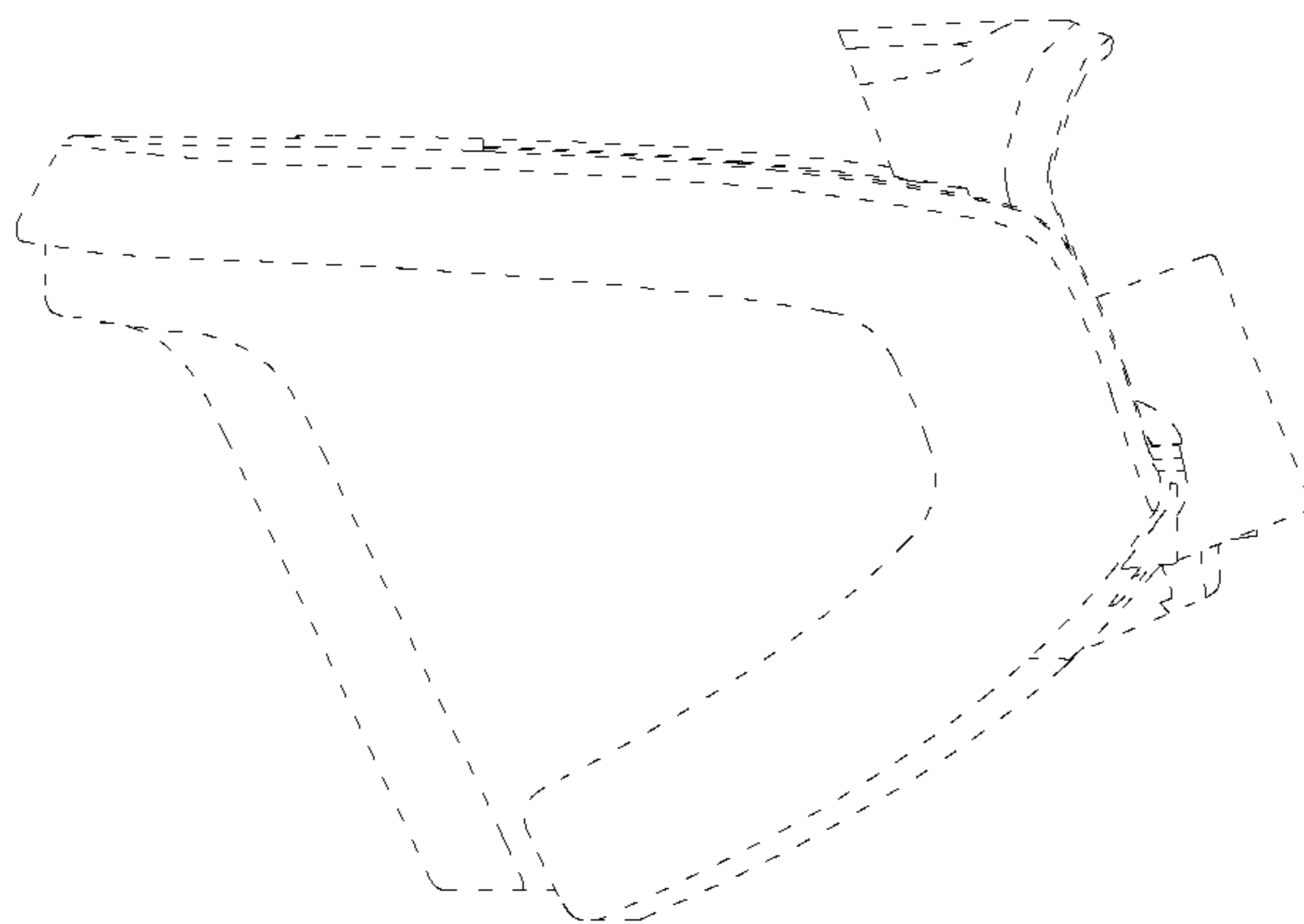


FIG. 13

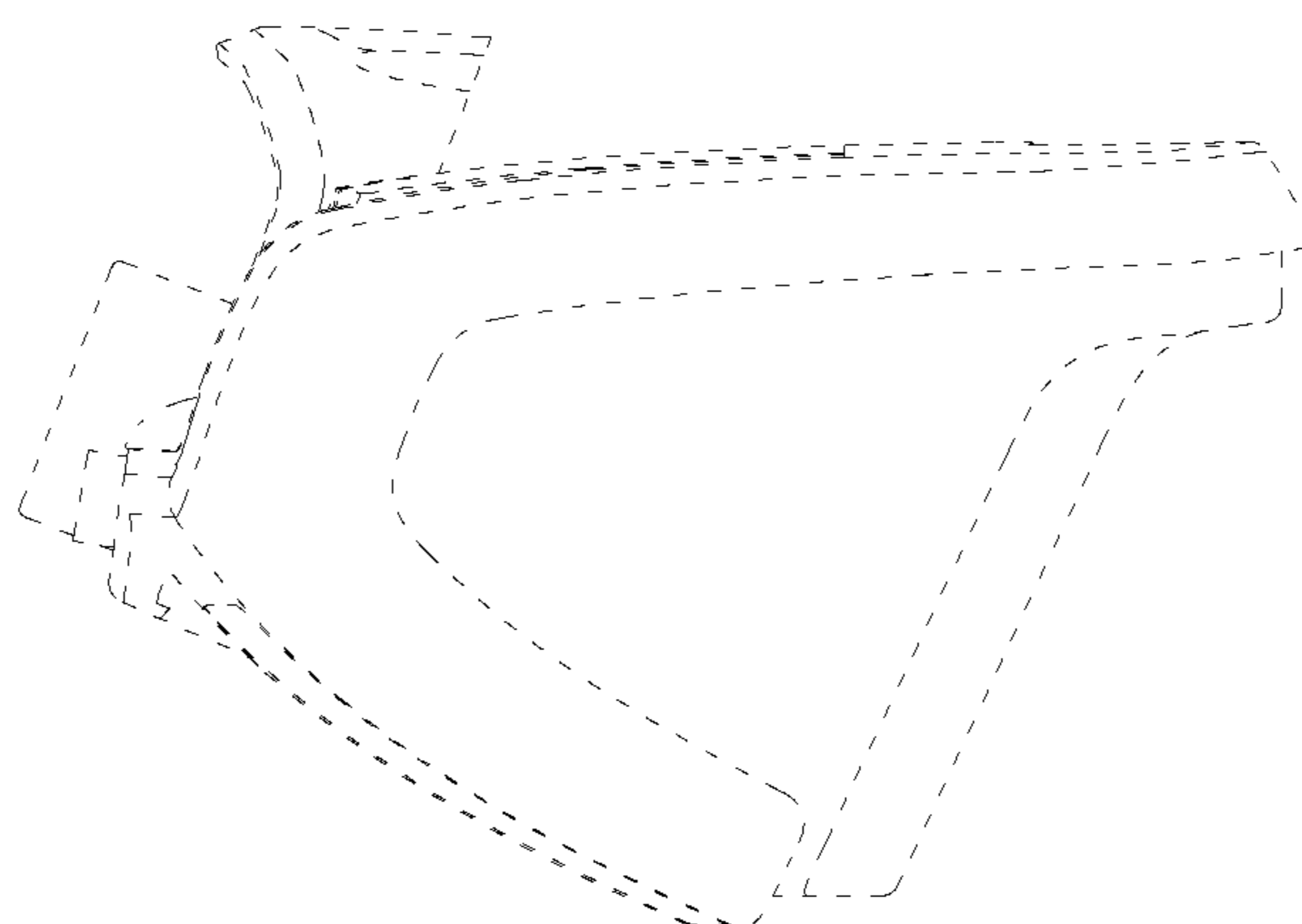


FIG. 14

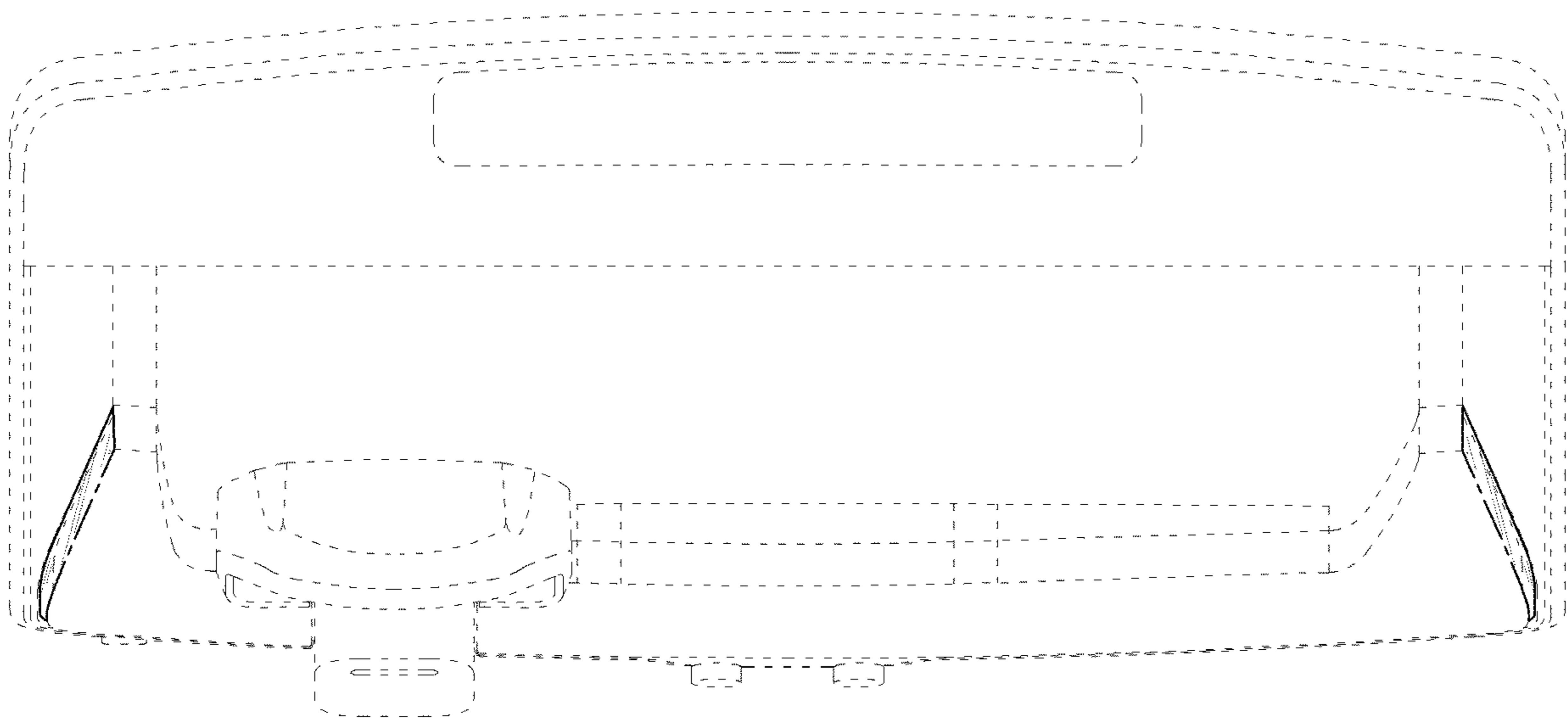


FIG. 15

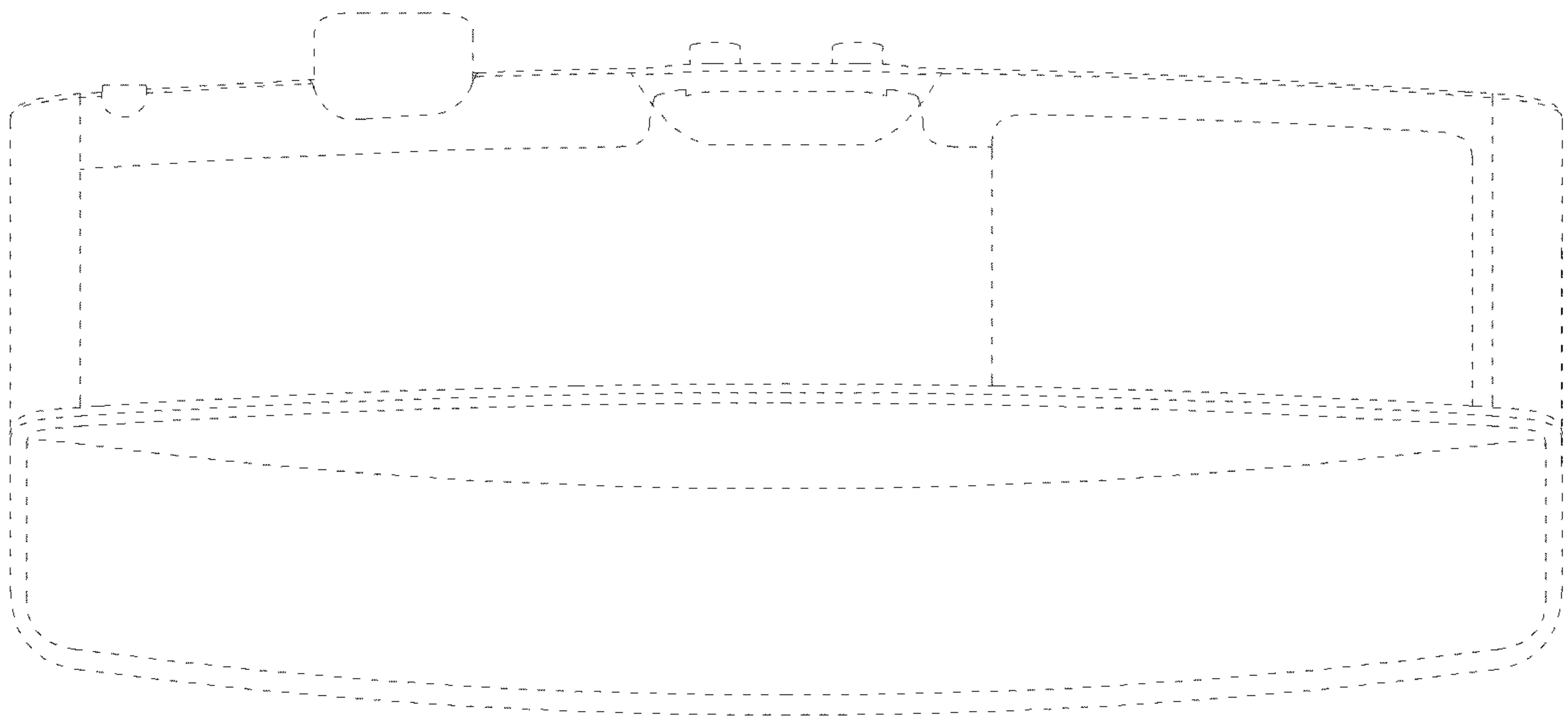


FIG. 16

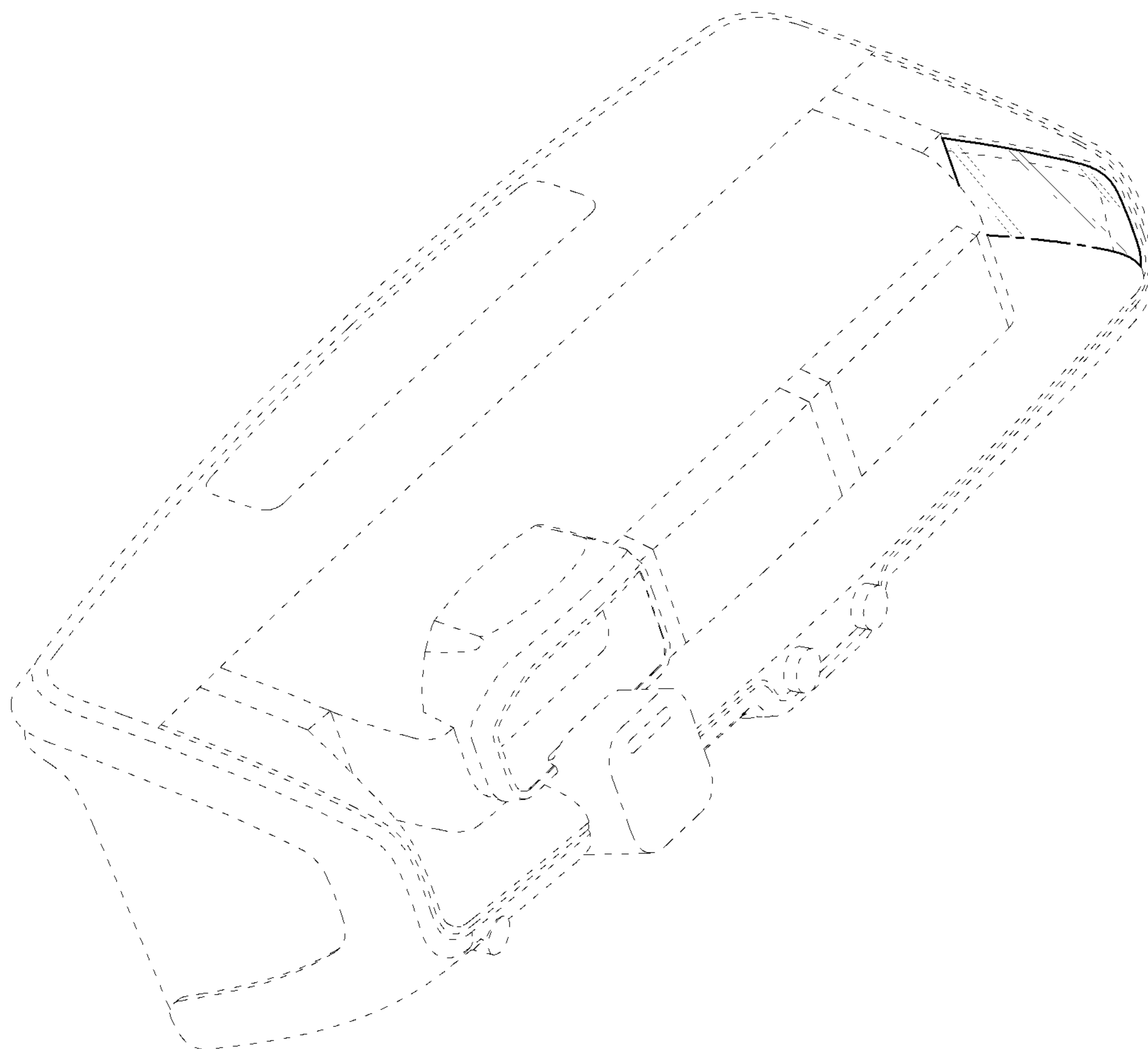


FIG. 17

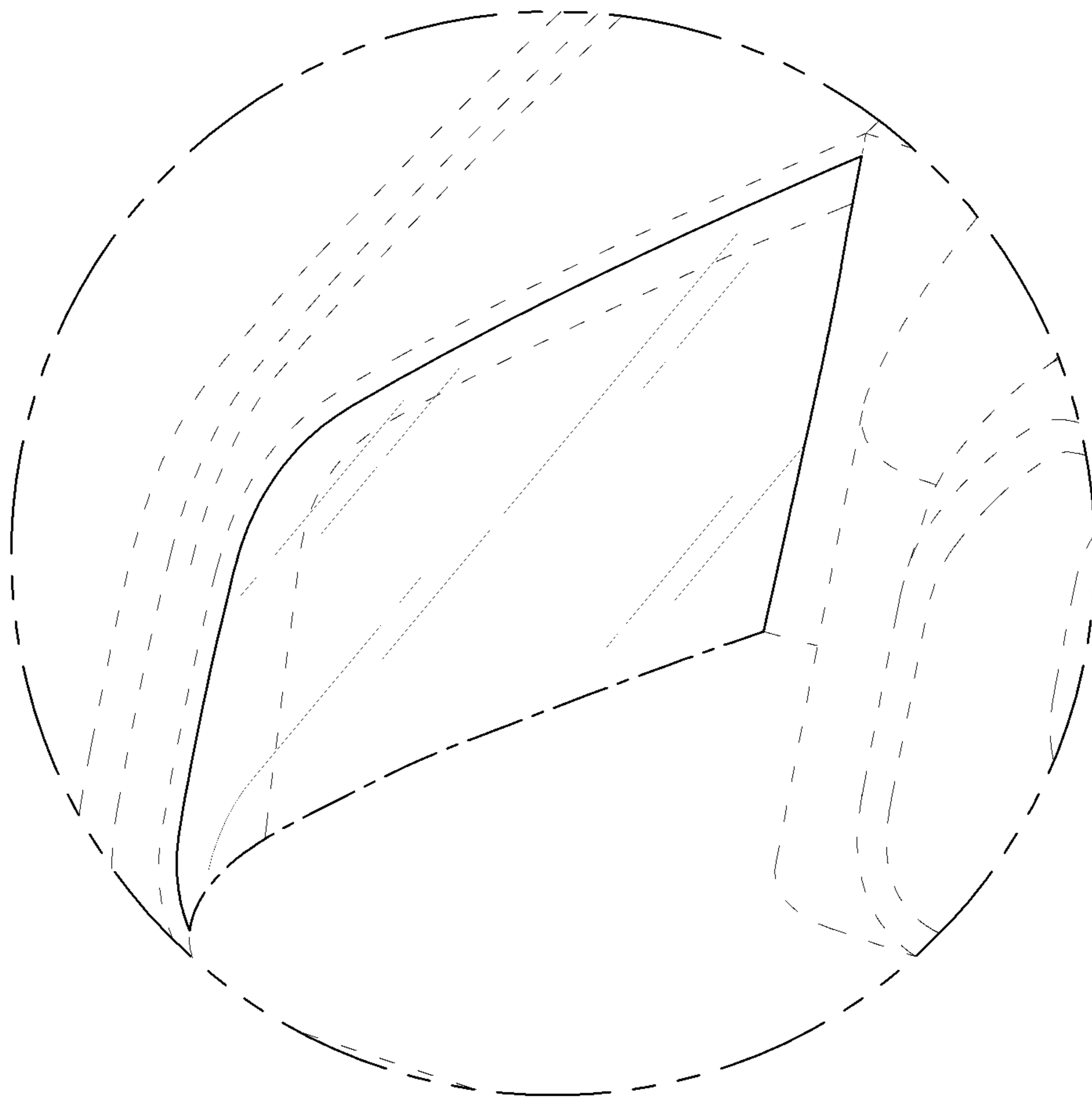


FIG. 18

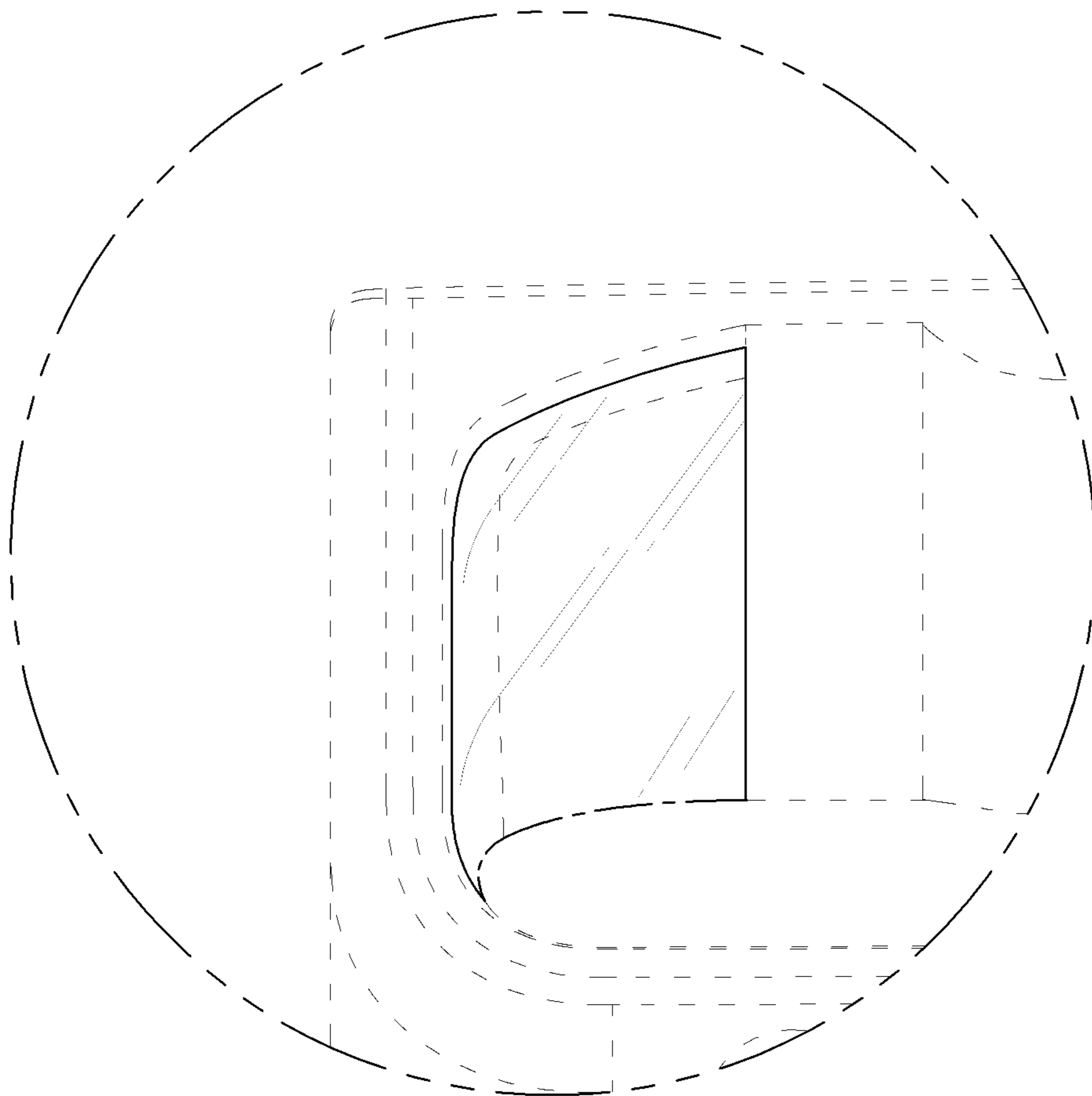


FIG. 19

