



US00D890652S

(12) **United States Design Patent** (10) **Patent No.:** **US D890,652 S**  
**Al Attar** (45) **Date of Patent:** **\*\* Jul. 21, 2020**

(54) **FRONT BUMPER FOR A VEHICLE**  
(71) Applicant: **Bayerische Motoren Werke Aktiengesellschaft, Munich (DE)**  
(72) Inventor: **Hussein Al Attar, Munich (DE)**  
(73) Assignee: **Bayerische Motoren Werke Aktiengesellschaft, Munich (DE)**  
(\*\*) Term: **15 Years**

(21) Appl. No.: **29/694,270**  
(22) Filed: **Jun. 10, 2019**

(30) **Foreign Application Priority Data**  
Dec. 17, 2018 (DE) ..... 40 2018 101 274  
(51) **LOC (12) Cl.** ..... **12-16**  
(52) **U.S. Cl.**  
USPC ..... **D12/169**  
(58) **Field of Classification Search**  
USPC .... D12/169, 164, 196, 171, 163, 86, 90-92;  
293/102, 113, 115, 117, 120; 296/180.1,  
296/180.2  
CPC ..... B60R 19/02; B60R 19/04; B62D 25/08  
See application file for complete search history.

(56) **References Cited**  
U.S. PATENT DOCUMENTS  
D678,146 S \* 3/2013 Behmer ..... D12/169  
D695,162 S \* 12/2013 Scheinhutte ..... D12/169  
D695,164 S \* 12/2013 Futschik ..... D12/169  
D716,199 S 10/2014 Beermann  
D813,113 S \* 3/2018 Zurian ..... D12/169  
D813,737 S \* 3/2018 Beermann ..... D12/169  
D819,524 S \* 6/2018 Behmer ..... D12/169  
D823,746 S \* 7/2018 Lim ..... D12/169  
D823,747 S \* 7/2018 Tsarukyan ..... D12/169  
D825,416 S \* 8/2018 Al Attar ..... D12/169

D829,619 S \* 10/2018 Kim ..... D12/169  
D829,620 S \* 10/2018 Lim ..... D12/169  
D840,296 S \* 2/2019 Buckingham ..... D12/169  
D844,508 S \* 4/2019 Elstner ..... D12/169  
D848,326 S \* 5/2019 Ojea ..... D12/169  
D864,056 S \* 10/2019 Morikawa ..... D12/169  
D867,233 S \* 11/2019 Peplowski ..... D12/169

**FOREIGN PATENT DOCUMENTS**

WO WO DM/084986 5/2015  
WO WO DM/103695 11/2018

\* cited by examiner

*Primary Examiner* — Melody N Brown

(74) *Attorney, Agent, or Firm* — Crowell & Moring LLP

(57) **CLAIM**

The ornamental design for a front bumper for a vehicle, as shown and described.

**DESCRIPTION**

This application contains subject matter related to the following co-pending U.S. design patent applications: Application Ser. No. 29/650,339, filed Jun. 6, 2018 and entitled "Front Bumper for a Vehicle"; Application Ser. No. 29/694,267, filed herewith and entitled "Vehicle, Toy, and/or Replicas Thereof"; and Application Ser. No. 29/694,275, filed herewith and entitled "Front Bumper for a Vehicle".

FIG. 1 is a front view of a front bumper for a vehicle according to the design;

FIG. 2 is a right, front perspective view thereof;

FIG. 3 is a left, bottom perspective view thereof;

FIG. 4 is a right side view thereof;

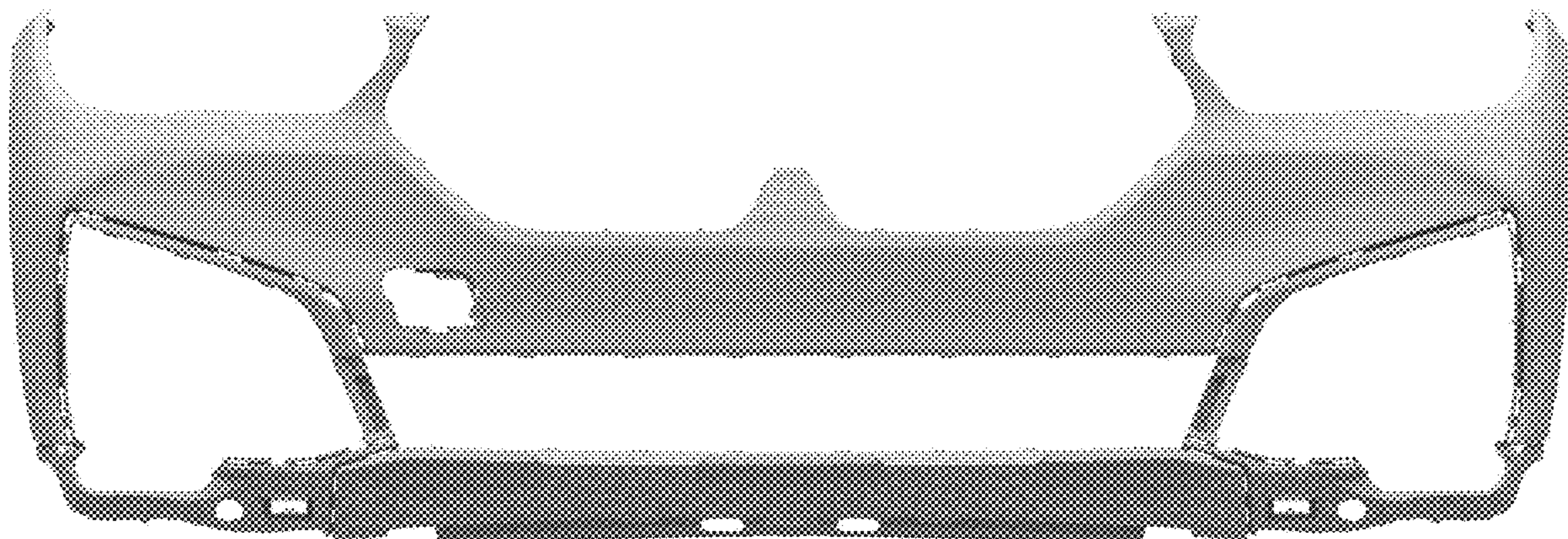
FIG. 5 is a left side view thereof;

FIG. 6 is a top view thereof;

FIG. 7 is a bottom view thereof; and,

FIG. 8 is a rear view thereof.

**1 Claim, 8 Drawing Sheets**



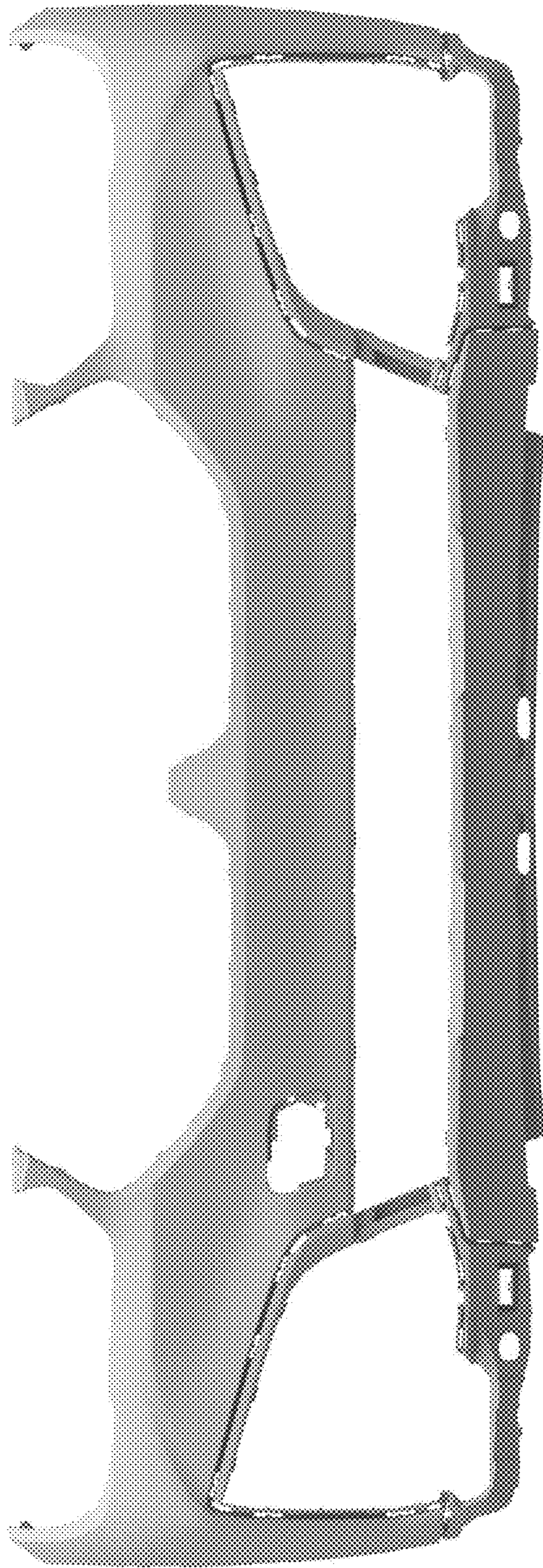


Fig. 1

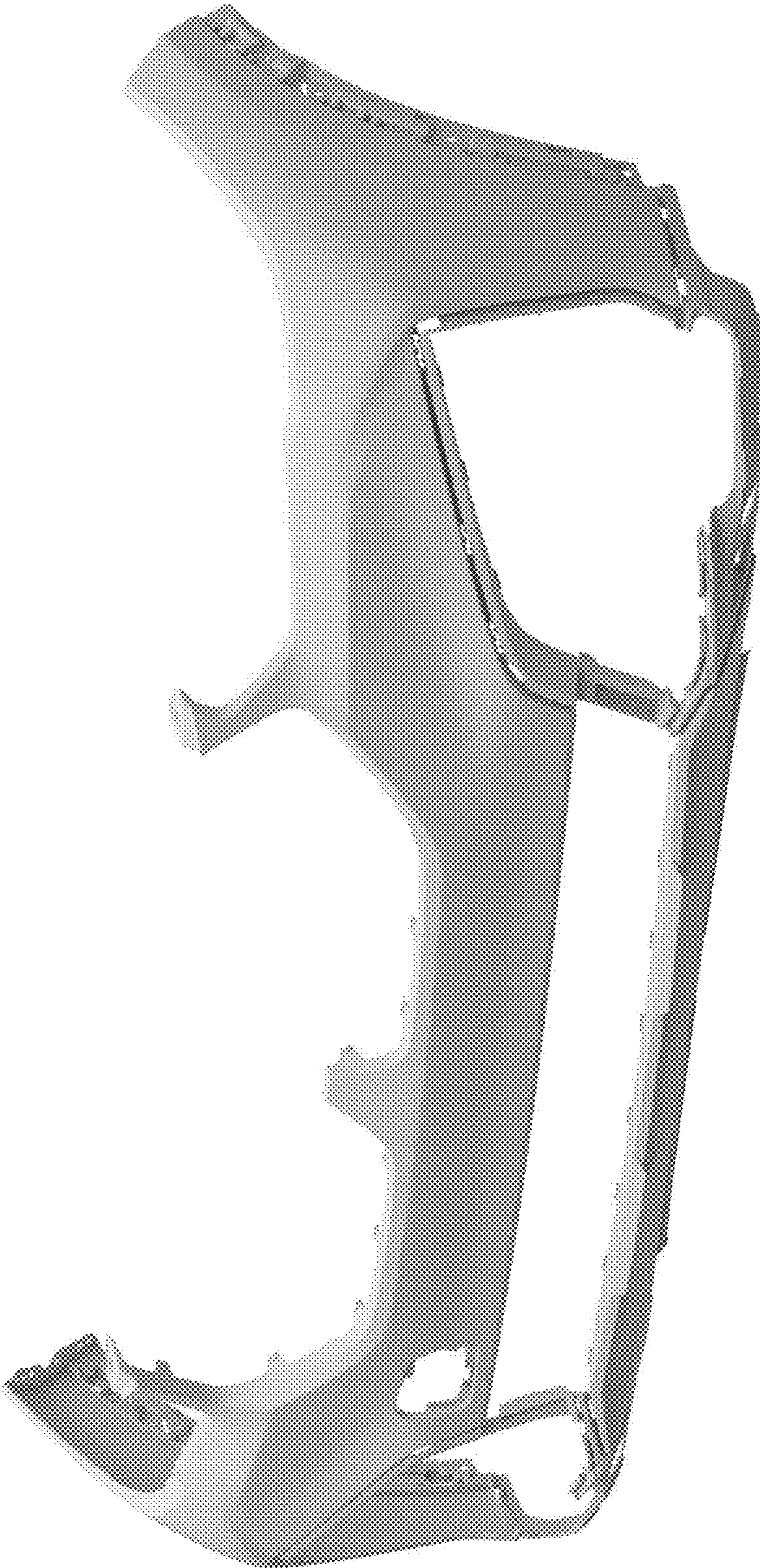


Fig. 2

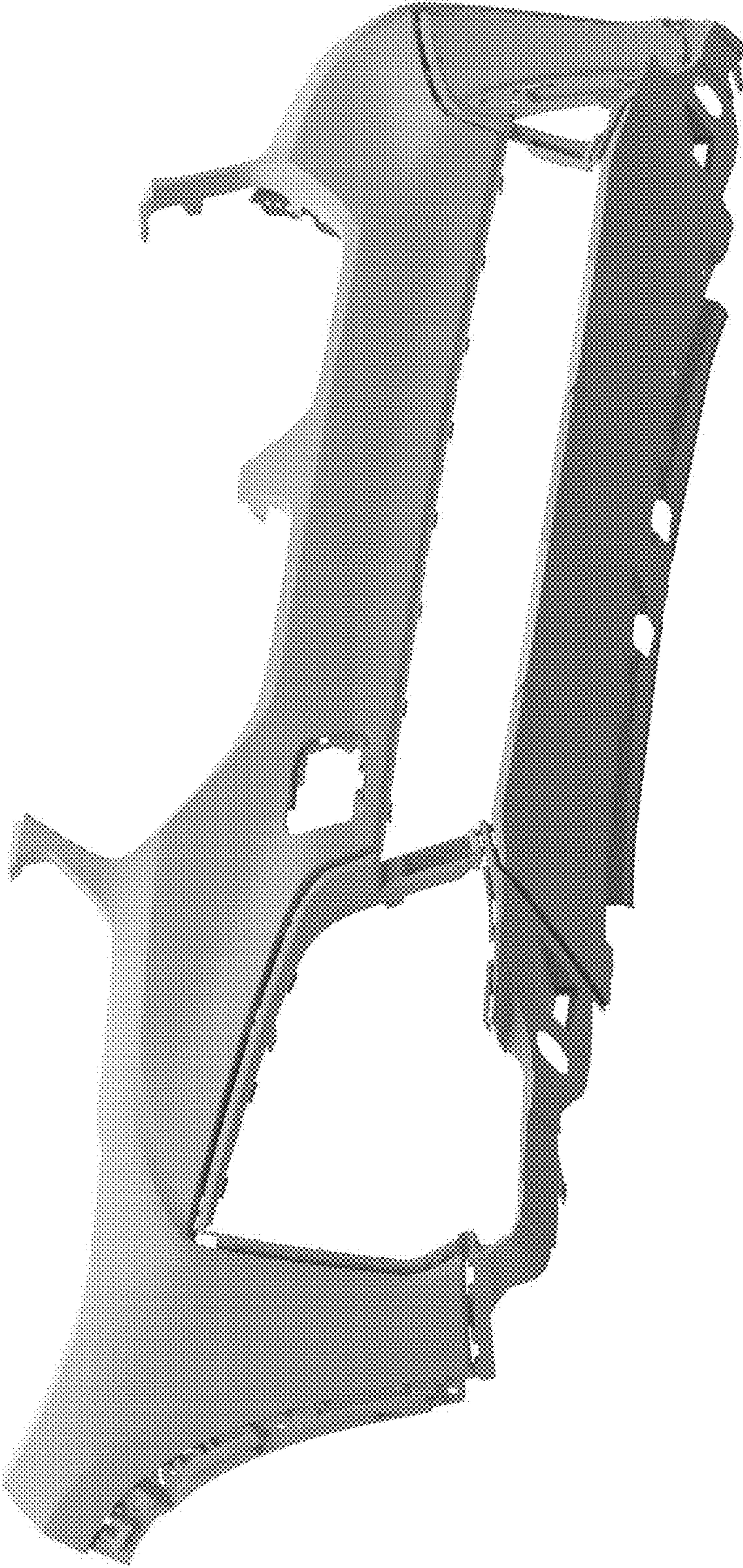


Fig. 3

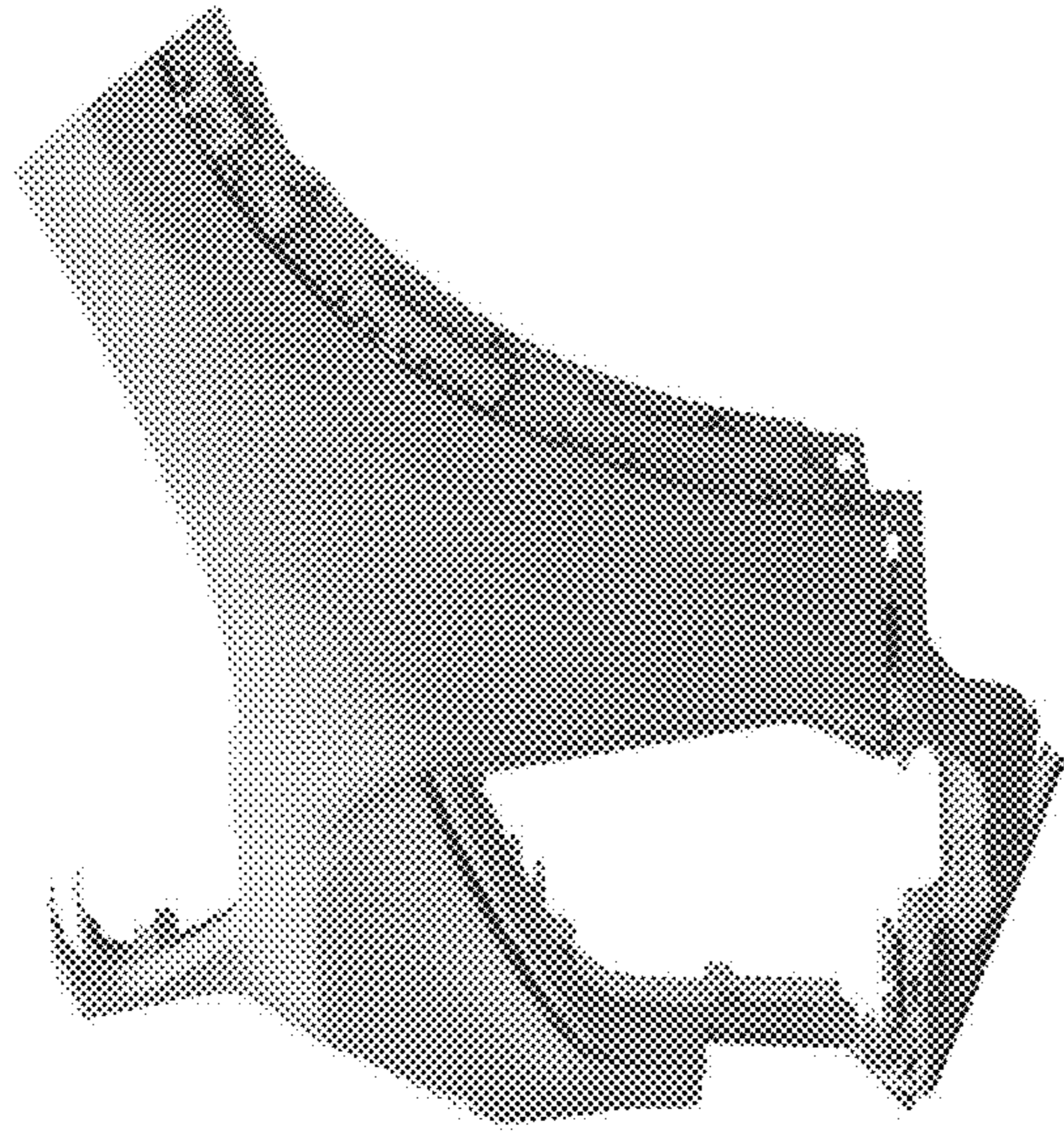


Fig. 4

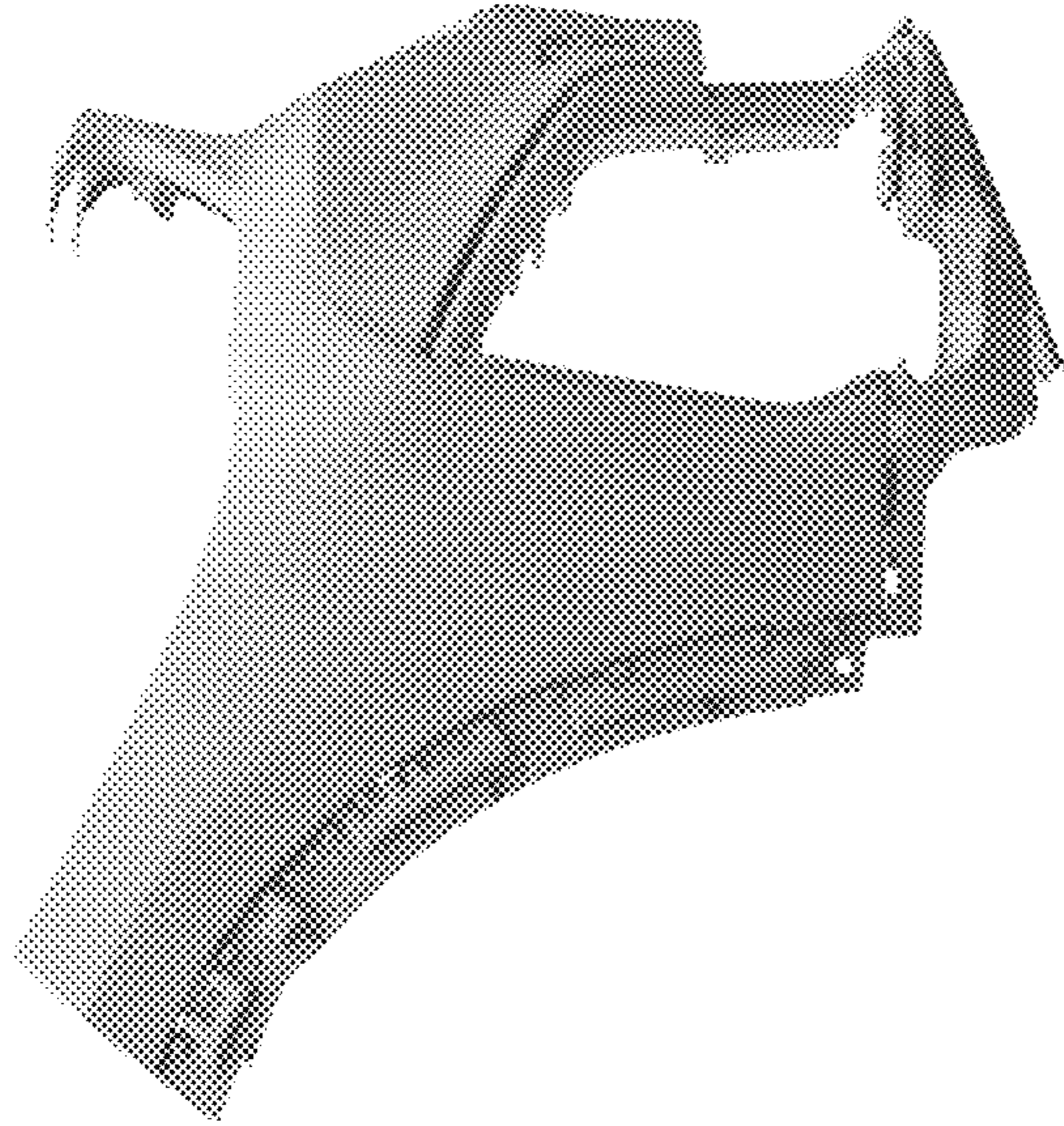


Fig. 5

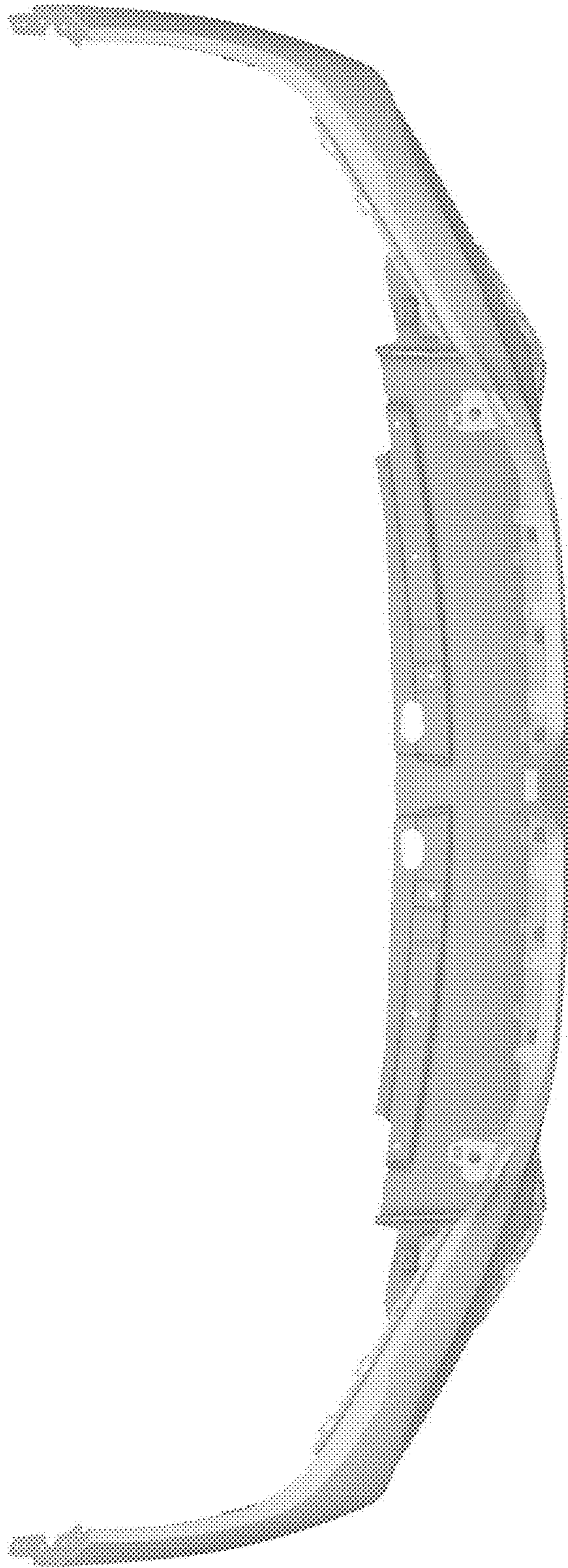


Fig. 6

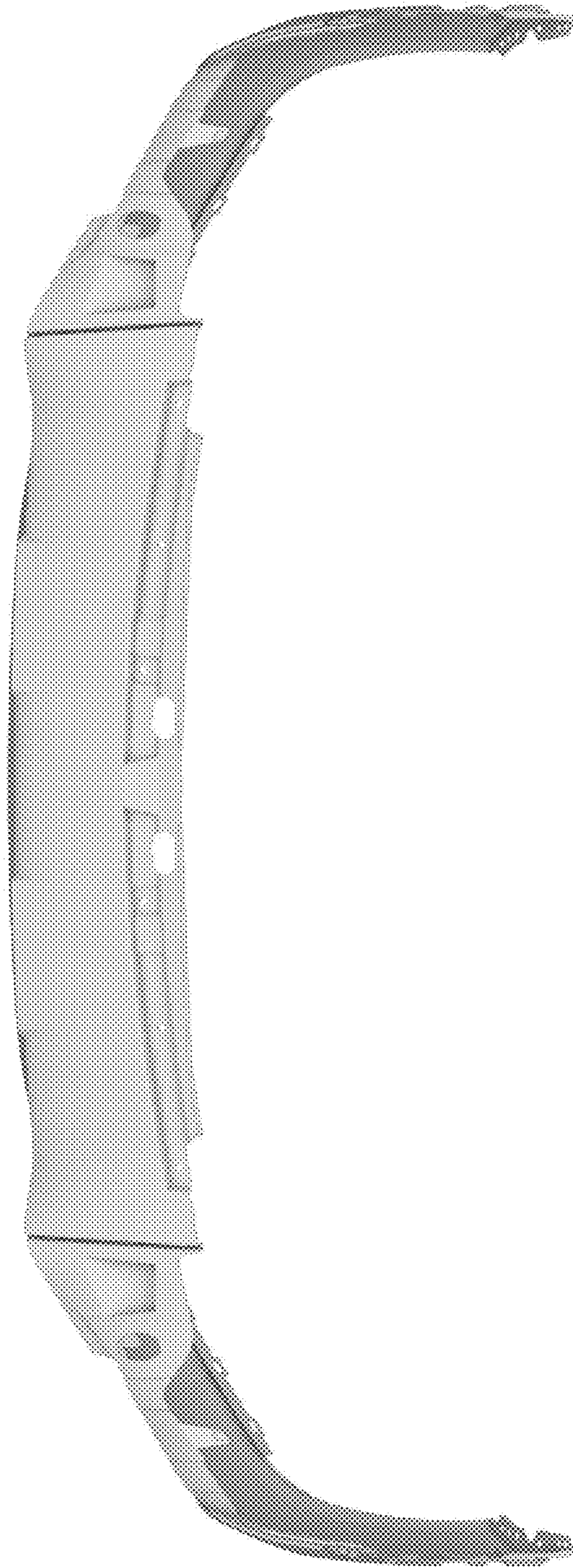


Fig. 7



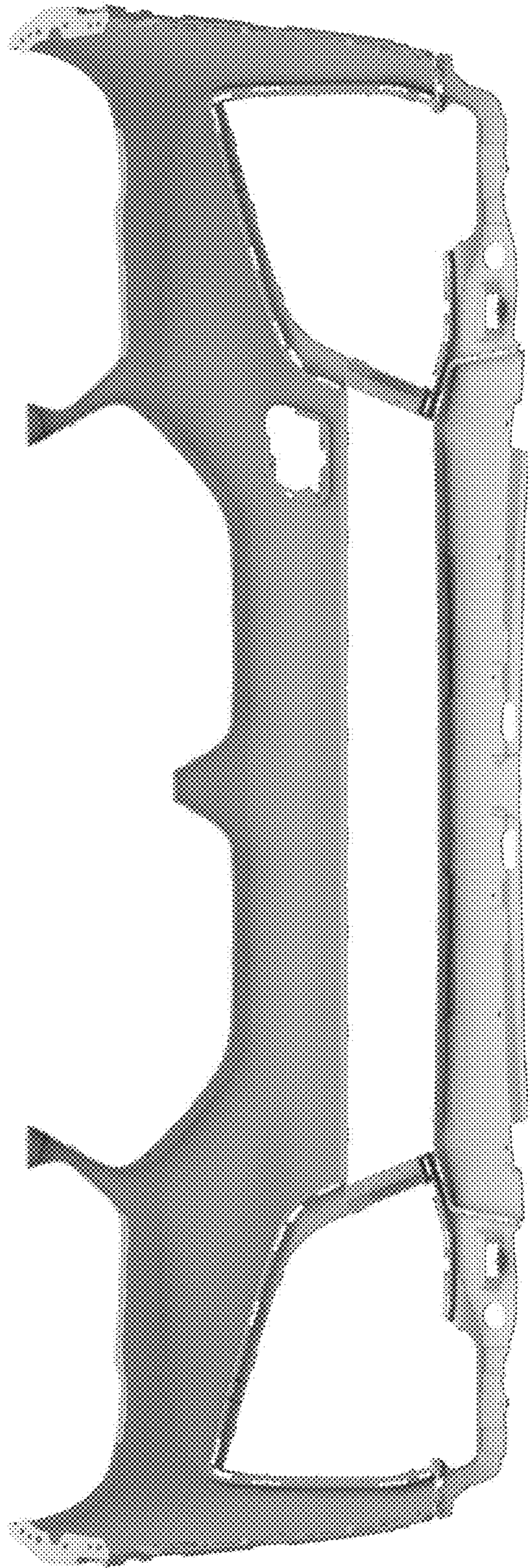


Fig. 8