



US00D890650S

(12) **United States Design Patent** (10) **Patent No.:** **US D890,650 S**  
**Kang** (45) **Date of Patent:** **\*\* Jul. 21, 2020**

(54) **FRONT BUMPER FOR A VEHICLE**  
(71) Applicant: **Bayerische Motoren Werke Aktiengesellschaft, Munich (DE)**  
(72) Inventor: **Won-kyu Kang, Shanghai (CN)**  
(73) Assignee: **Bayerische Motoren Werke Aktiengesellschaft, Munich (DE)**

D787,990 S \* 5/2017 Kozub ..... D12/169  
D803,100 S \* 11/2017 Forschner ..... D12/92  
D803,112 S \* 11/2017 Tomita ..... D12/169  
D825,412 S \* 8/2018 Luk ..... D12/169  
D825,414 S 8/2018 De Bono  
D844,508 S \* 4/2019 Elstner ..... D12/169  
D855,510 S \* 8/2019 Nissl ..... D12/169

(\*\*) Term: **15 Years**  
(21) Appl. No.: **29/689,421**

**FOREIGN PATENT DOCUMENTS**

EM 001754953-0001 1/2011  
WO WO DM/065120 4/2004  
WO WO DM/084222 2/2015

(22) Filed: **Apr. 30, 2019**

\* cited by examiner

(30) **Foreign Application Priority Data**

*Primary Examiner* — Melody N Brown

Nov. 6, 2018 (DE) ..... 40 2018 101 133

(74) *Attorney, Agent, or Firm* — Crowell & Moring LLP

(51) **LOC (12) Cl.** ..... **12-16**

(57) **CLAIM**

(52) **U.S. Cl.**

The ornamental design for a front bumper for a vehicle, as shown and described.

USPC ..... **D12/169**

**DESCRIPTION**

(58) **Field of Classification Search**

USPC .... D12/169, 164, 196, 171, 163, 86, 90-92;  
293/102, 113, 115, 117, 120; 296/180.1,  
296/180.2

CPC ..... B60R 19/02; B60R 19/04; B62D 25/08

See application file for complete search history.

This application contains subject matter related to the following co-pending U.S. design patent applications: Application Ser. No. 29/676,463, filed Jan. 11, 2019 and entitled "Front Bumper For a Vehicle;" and Application Ser. No. 29/689,420, filed herewith and entitled "Front Bumper For a Vehicle".

(56) **References Cited**

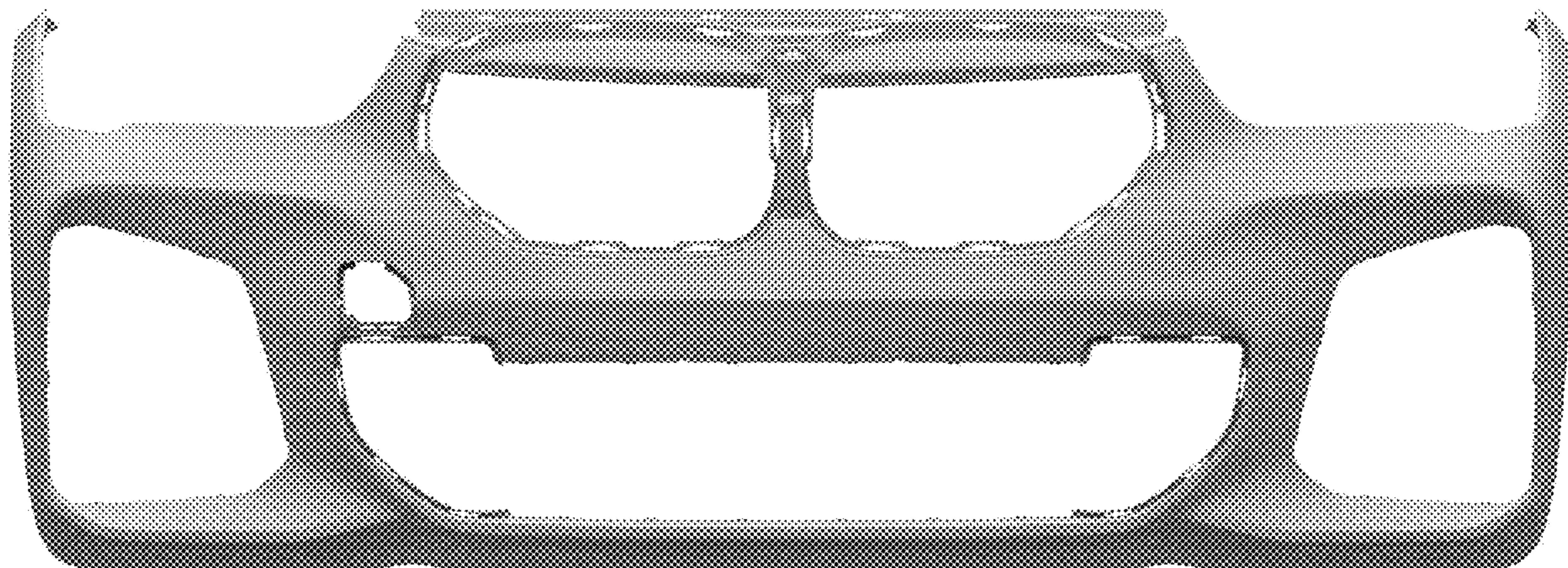
FIG. 1 is a front view of a front bumper for a vehicle according to the design;

**U.S. PATENT DOCUMENTS**

D637,124 S 5/2011 Faghihzadeh  
D669,402 S \* 10/2012 Elmitt ..... D12/169  
D716,199 S \* 10/2014 Beermann ..... D12/169  
D735,096 S \* 7/2015 Nissl ..... D12/169  
D737,738 S 9/2015 Nordmann  
D748,543 S \* 2/2016 Nissl ..... D12/169  
D772,120 S \* 11/2016 Luk ..... D12/169  
D772,122 S \* 11/2016 Zurian ..... D12/169  
D787,377 S \* 5/2017 Al Attar ..... D12/92

FIG. 2 is a right, front perspective view thereof;  
FIG. 3 is a left, bottom perspective view thereof;  
FIG. 4 is a right side view thereof;  
FIG. 5 is a left side view thereof;  
FIG. 6 is a top view thereof;  
FIG. 7 is a bottom view thereof; and,  
FIG. 8 is a rear view thereof.

**1 Claim, 8 Drawing Sheets**



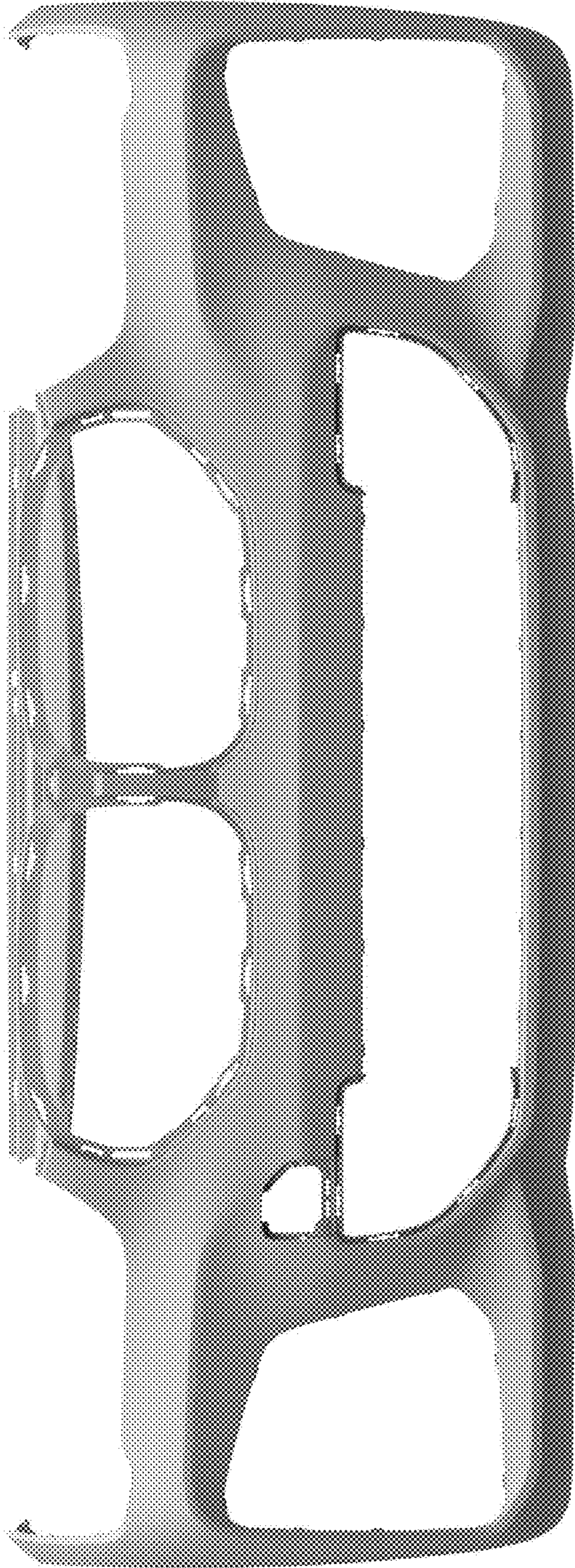


Fig. 1

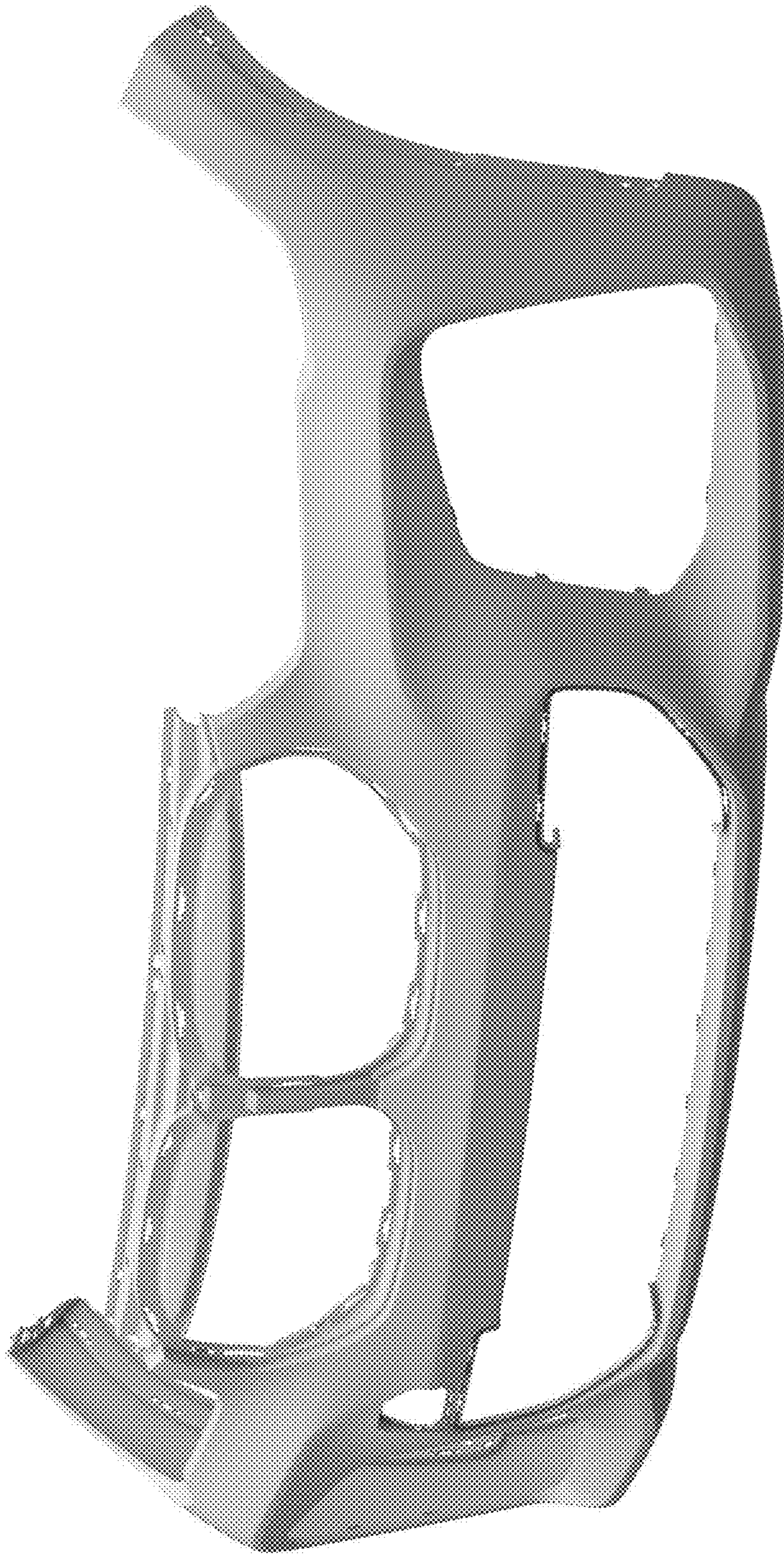


Fig. 2

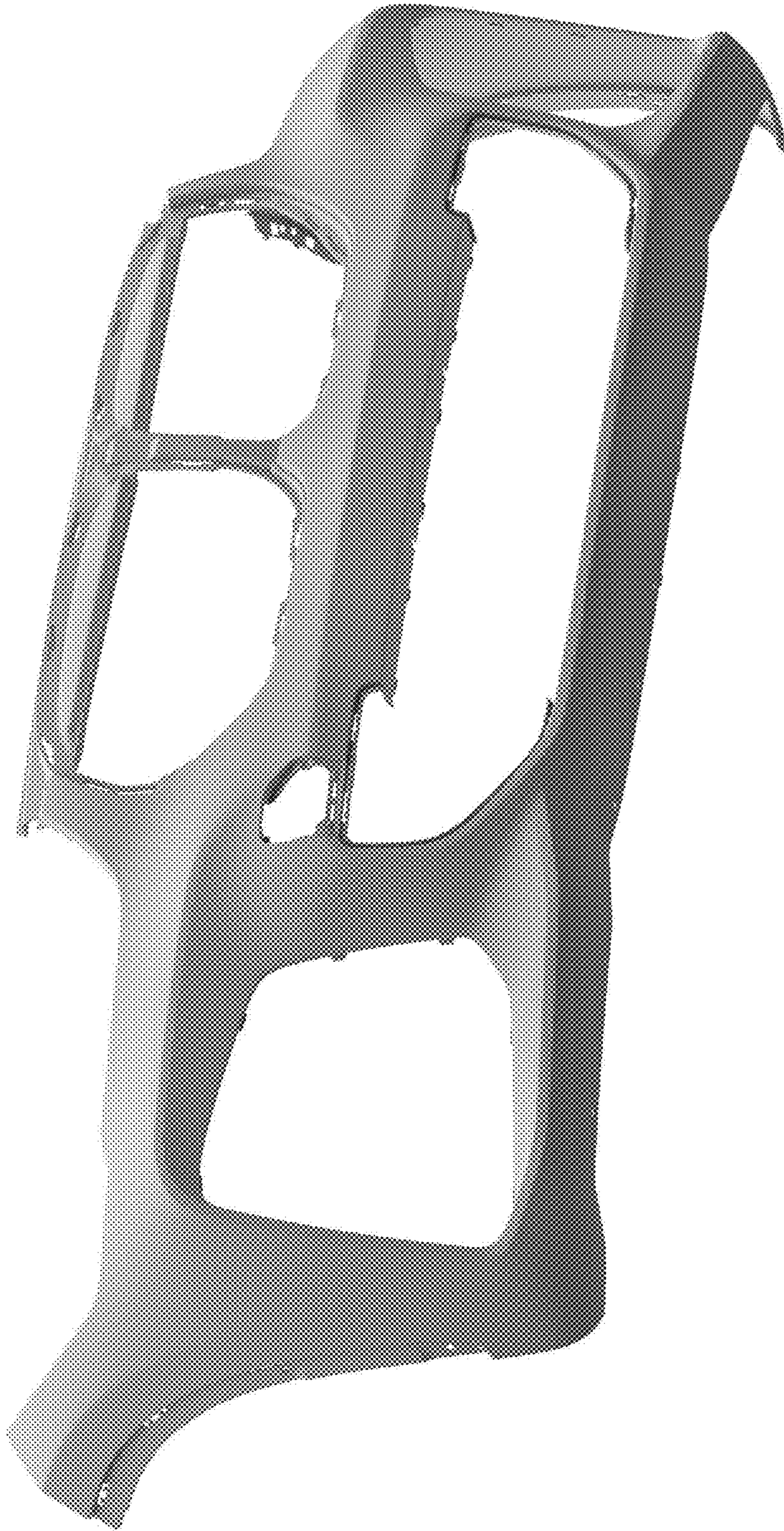


Fig. 3

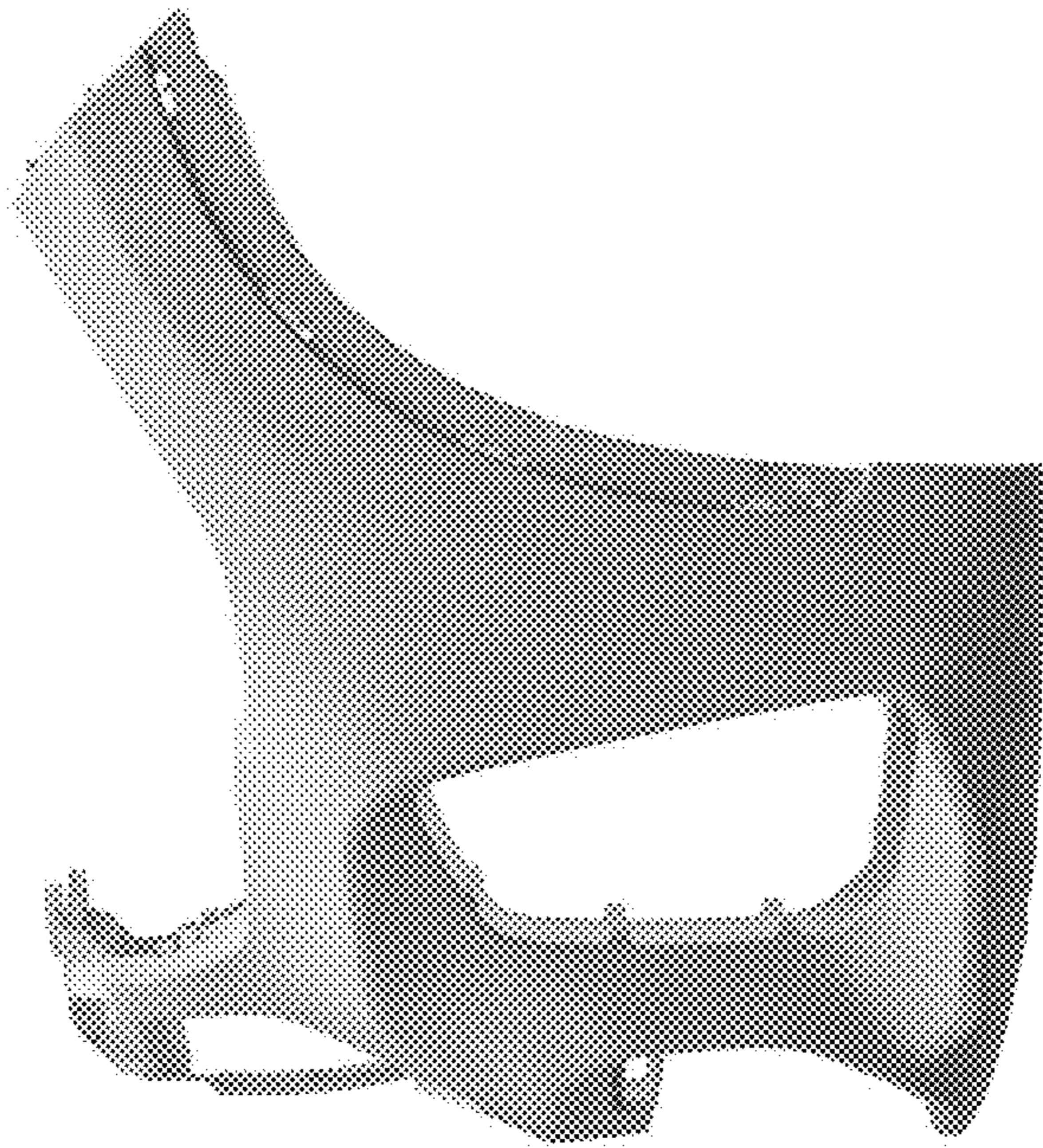


Fig. 4

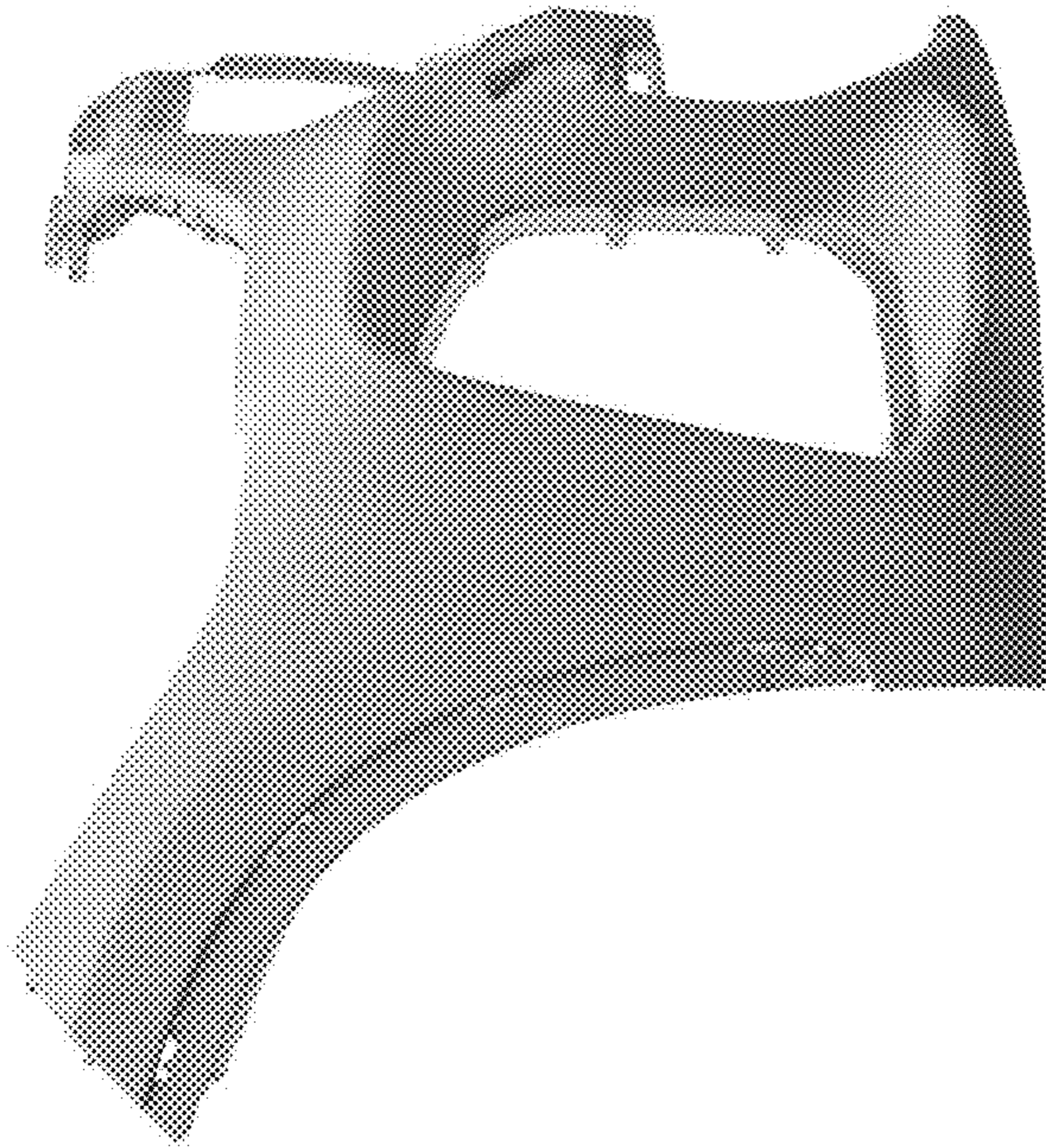


Fig. 5

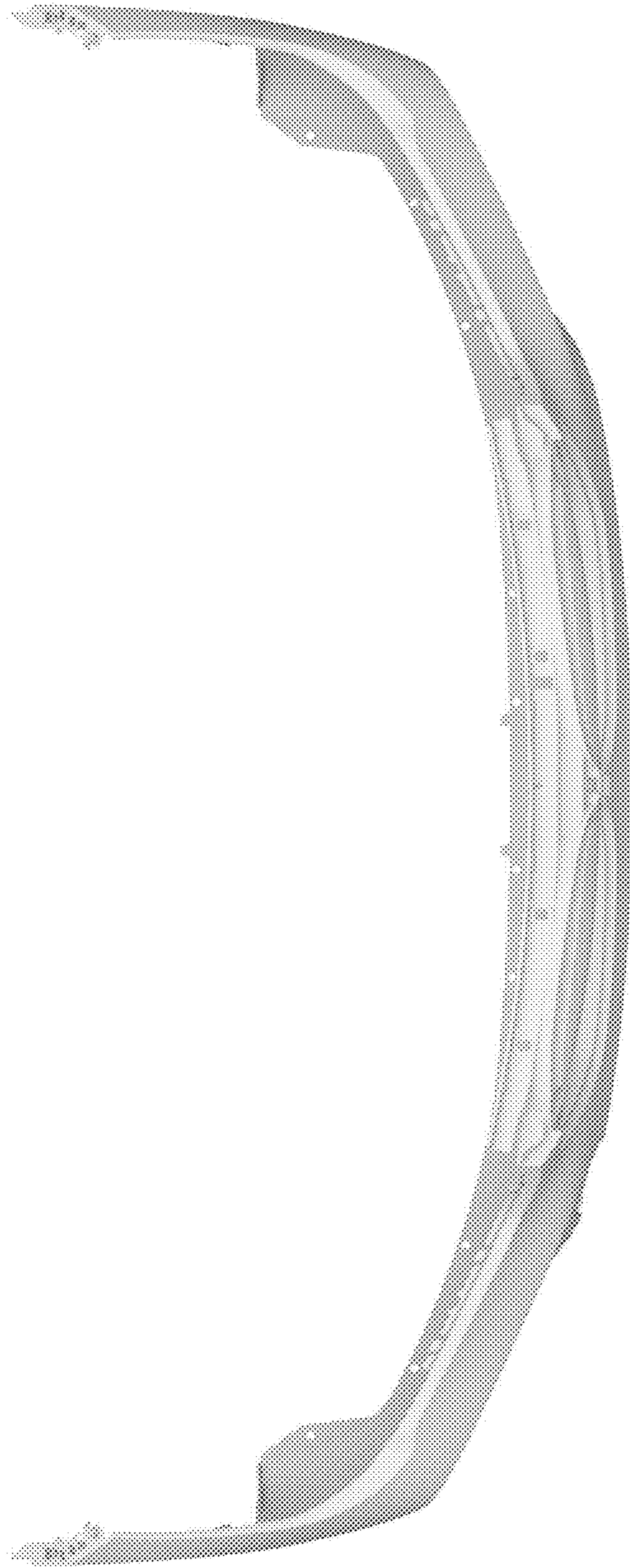


Fig. 6

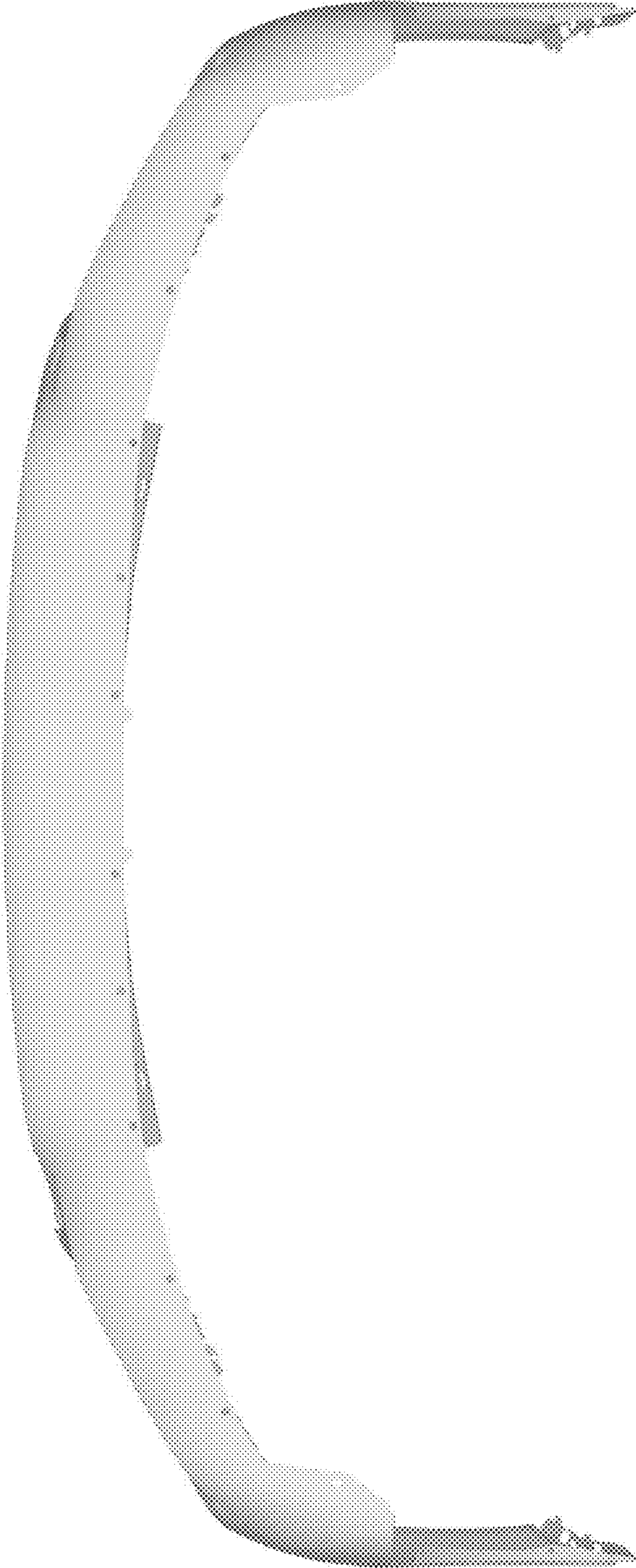


Fig. 7



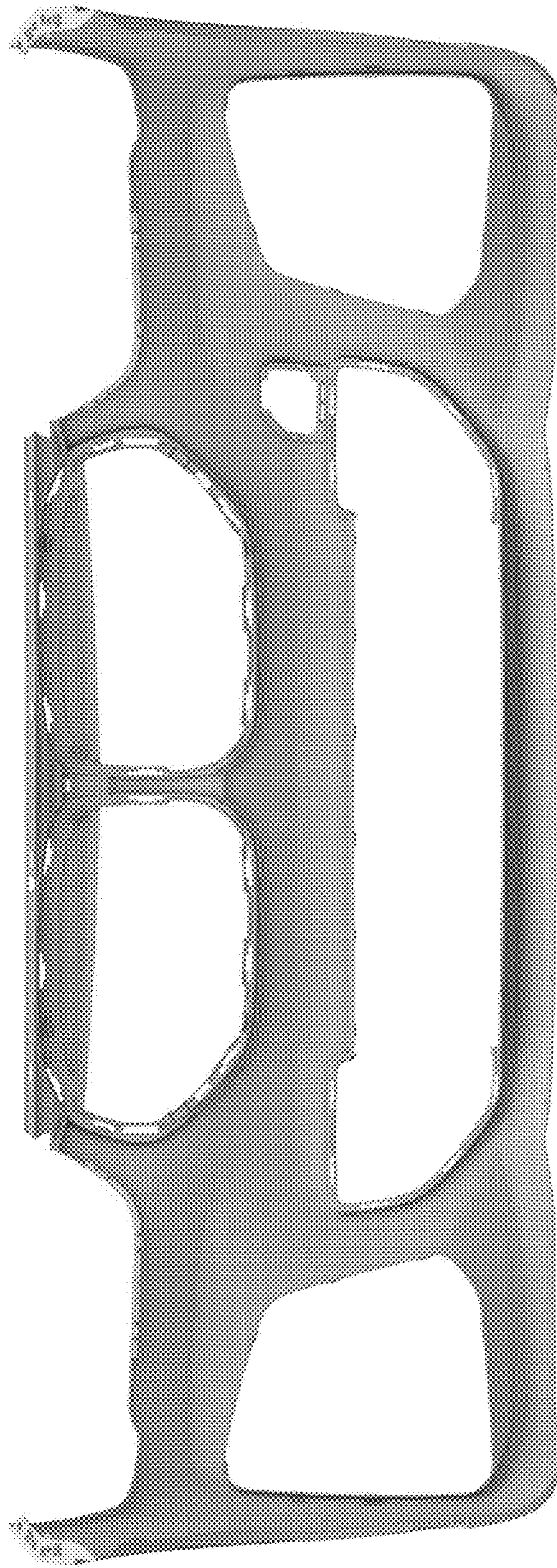


Fig. 8