



US00D890644S

(12) **United States Design Patent**
Hoste

(10) **Patent No.:** **US D890,644 S**

(45) **Date of Patent:** **** Jul. 21, 2020**

(54) **VEHICLE REAR BUMPER UNIT**

(71) Applicant: **Rivian IP Holdings, LLC**, Plymouth,
MI (US)

(72) Inventor: **Paul Hoste**, White Lake, MI (US)

(73) Assignee: **Rivian IP Holdings, LLC**, Plymouth,
MI (US)

(**) Term: **15 Years**

(21) Appl. No.: **29/669,990**

(22) Filed: **Nov. 13, 2018**

(51) **LOC (12) Cl.** **12-16**

(52) **U.S. Cl.**
USPC **D12/169**

(58) **Field of Classification Search**
USPC D12/169, 164, 196, 171, 163, 86, 90-92;
293/102, 113, 115, 117, 120; 296/180.1,
296/180.2
CPC B60R 19/02; B60R 19/04; B62D 25/08
See application file for complete search history.

(56) **References Cited**

U.S. PATENT DOCUMENTS

D852,691 S * 7/2019 Tovey D12/169
D856,865 S * 8/2019 Hatton D12/169

D860,894 S * 9/2019 Grewer D12/196
D864,803 S * 10/2019 Sakai D12/169
D868,647 S * 12/2019 Buck D12/169
D875,625 S * 2/2020 Wheel D12/169
D877,009 S * 3/2020 Luke D12/169

* cited by examiner

Primary Examiner — Melody N Brown

(74) *Attorney, Agent, or Firm* — Haley Guiliano LLP

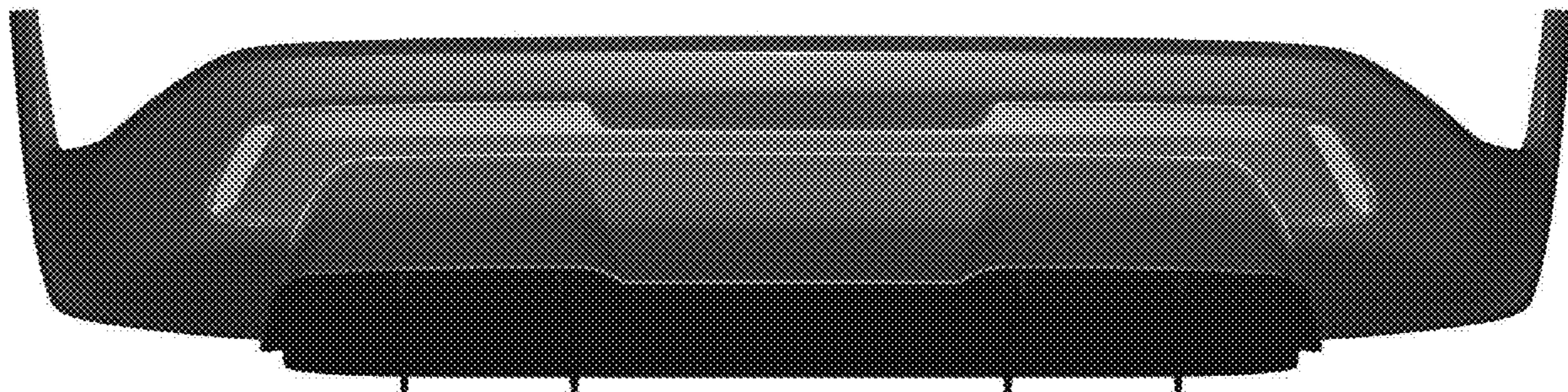
(57) **CLAIM**

The ornamental design for a vehicle rear bumper unit, as shown and described.

DESCRIPTION

FIG. 1 is a front elevational view of a vehicle rear bumper unit showing my new design;
FIG. 2 is a bottom plan view thereof;
FIG. 3 is an enlarged left side elevational view thereof, the right side view being a mirror image thereof;
FIG. 4 is a front perspective view thereof; and,
FIG. 5 is a bottom, front and left side perspective view thereof.

1 Claim, 5 Drawing Sheets



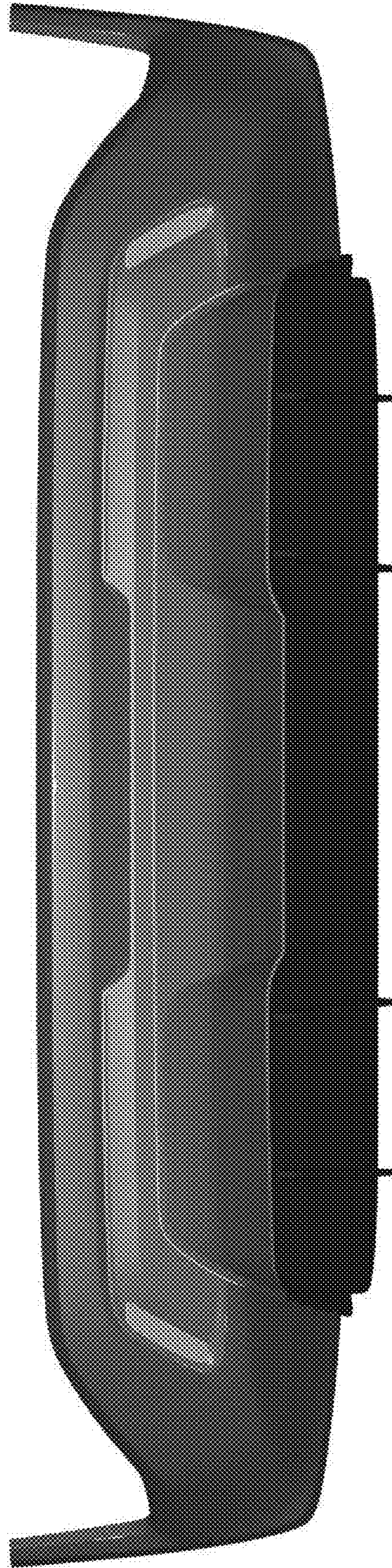


FIG. 1

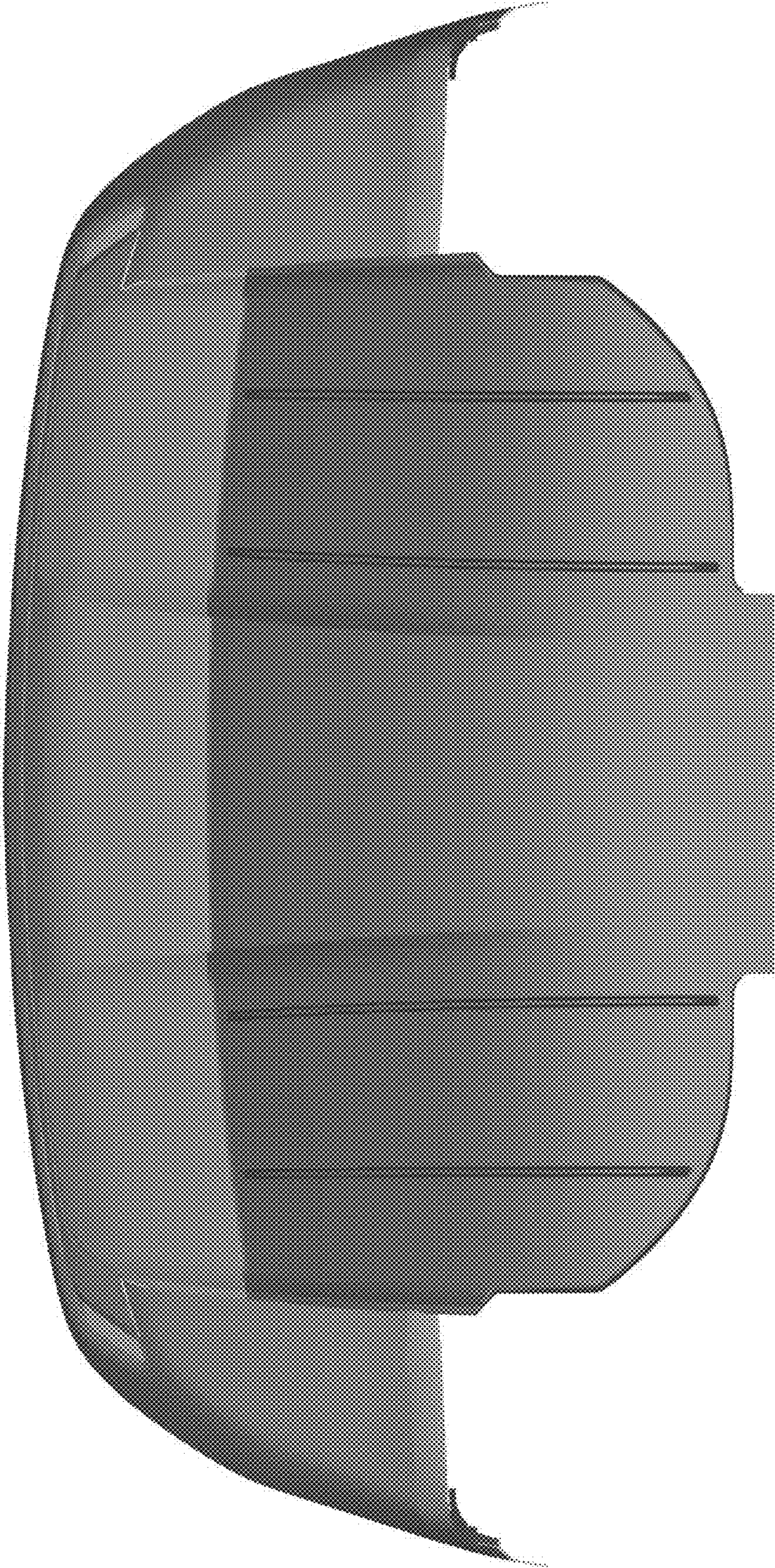


FIG. 2

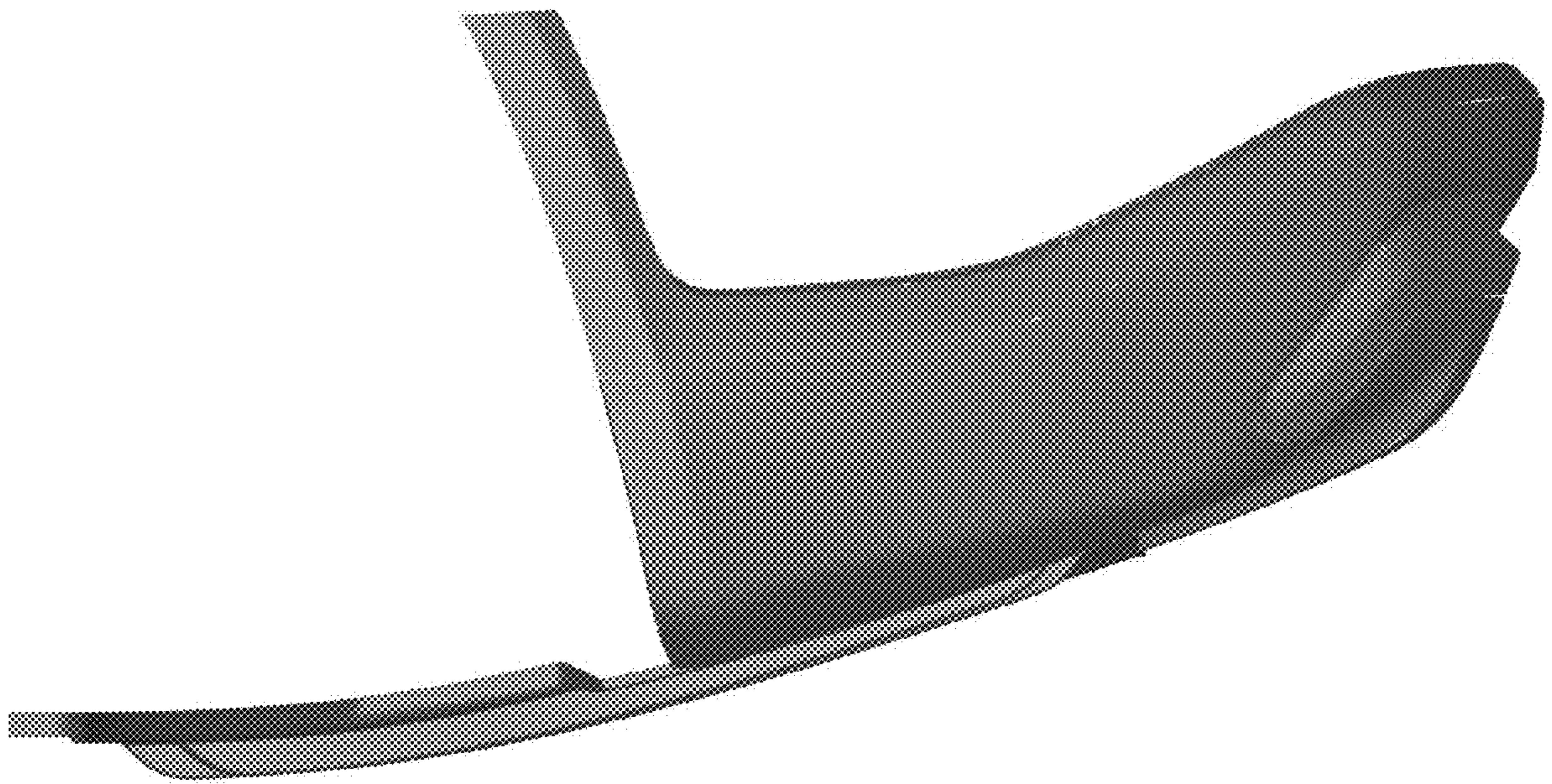


FIG. 3

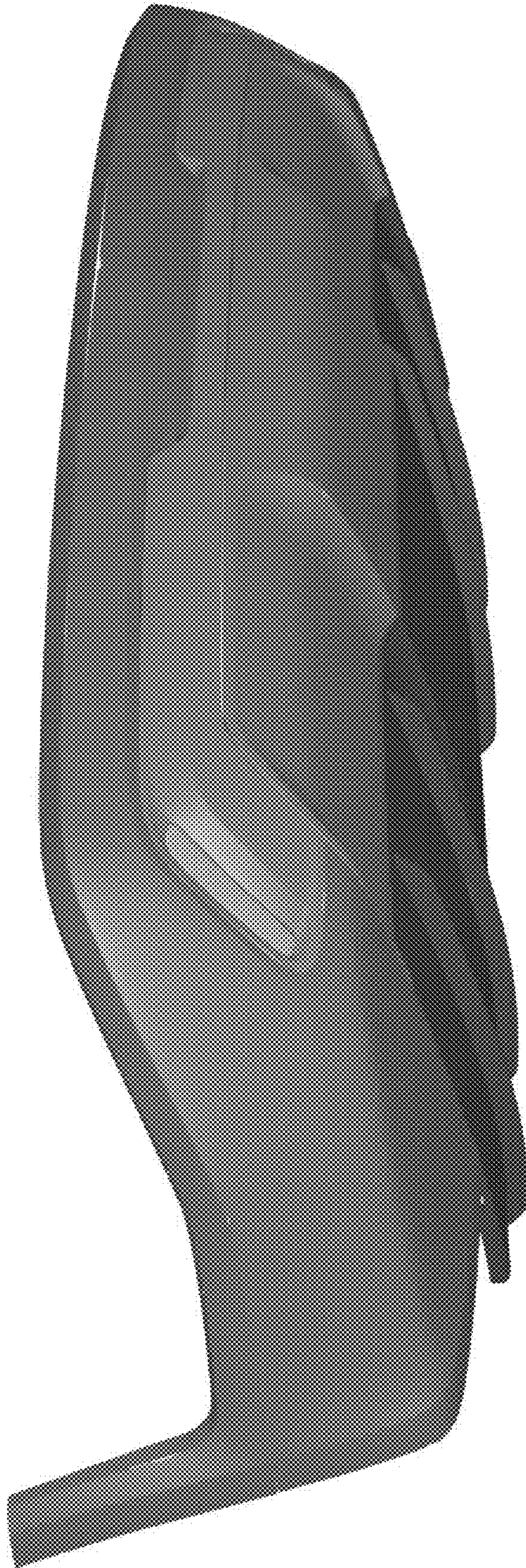


FIG. 4

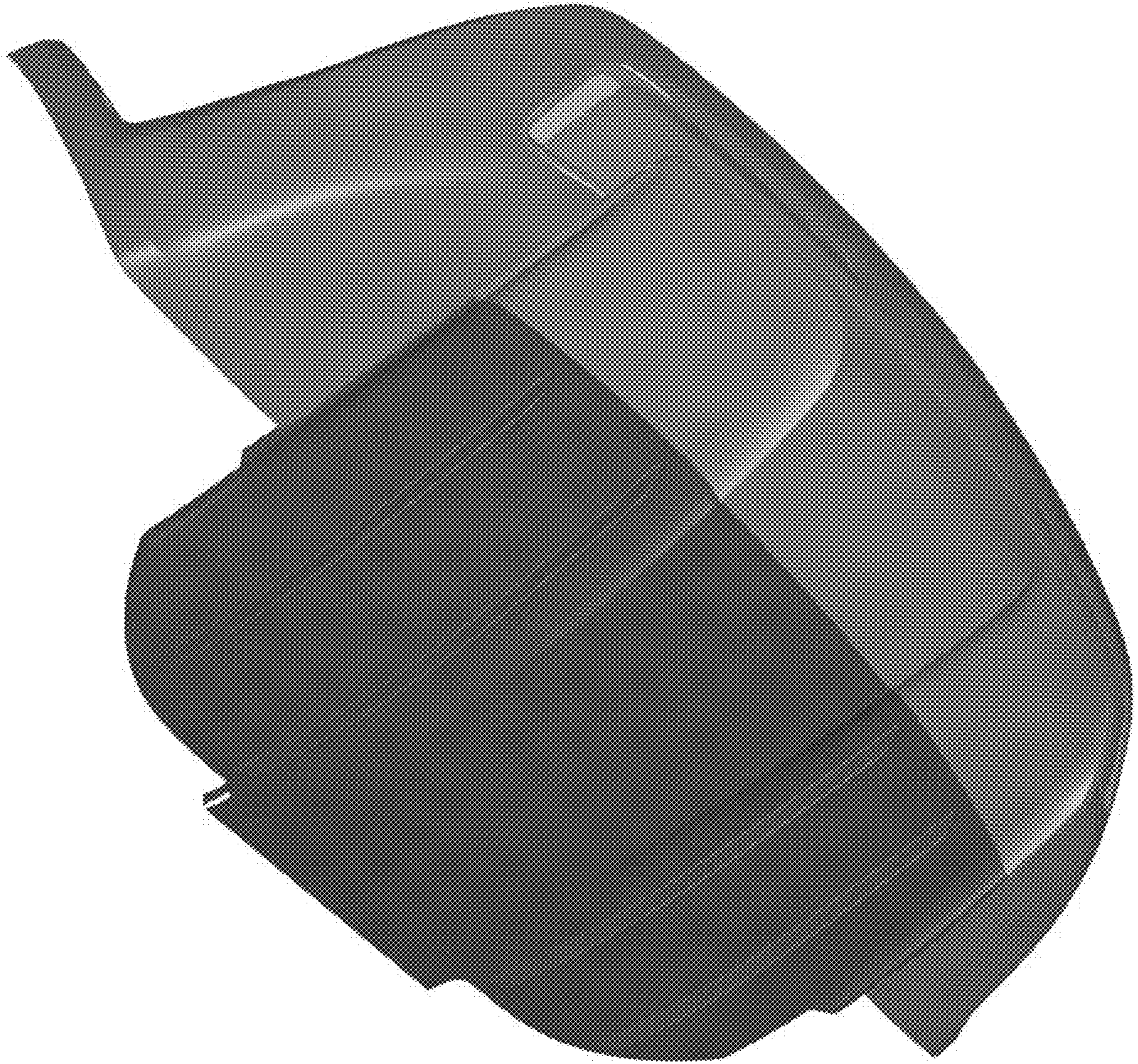


FIG. 5