



US00D890643S

(12) **United States Design Patent**
Tafe et al.

(10) **Patent No.:** **US D890,643 S**

(45) **Date of Patent:** **** Jul. 21, 2020**

(54) **RADIATOR FOR AUTOMOTIVE APPLICATIONS**

(71) Applicant: **RESOURCE INTERNATIONAL INC.**, New Castle, DE (US)

(72) Inventors: **Dan Tafe**, Newark, DE (US); **Kevin McCardle**, Philadelphia, PA (US)

(**) Term: **15 Years**

(21) Appl. No.: **29/677,837**

(22) Filed: **Jan. 30, 2019**

(51) **LOC (12) Cl.** **12-16**

(52) **U.S. Cl.**
USPC **D12/166**

(58) **Field of Classification Search**
USPC D12/164, 165, 166
CPC F28F 9/001; F28D 1/05366; F28D 1/0435
See application file for complete search history.

(56) **References Cited**

U.S. PATENT DOCUMENTS

3,982,587	A *	9/1976	Tramontini	F01P 11/02	165/149
D263,461	S *	3/1982	Young	D12/166	
4,540,044	A *	9/1985	Lenz	F28F 9/001	165/149
4,756,361	A *	7/1988	Lesage	F28F 1/32	165/149
5,360,059	A *	11/1994	Olson	F28F 9/001	165/149
6,899,167	B2 *	5/2005	Martins	F28D 1/0435	165/140
7,500,514	B2 *	3/2009	Heine	F01P 11/08	165/140
7,694,724	B2 *	4/2010	Kolb	F28F 9/001	165/149
D619,511	S *	7/2010	Sullivan	D12/166	

D621,016	S *	8/2010	Garcia	D23/330	
D647,436	S *	10/2011	Sullivan	D12/166	
8,376,073	B2 *	2/2013	Nantais	B60K 11/04	180/68.4
D703,126	S *	4/2014	Tafe	D12/223	
D717,218	S *	11/2014	Tafe	D12/166	
D717,702	S *	11/2014	McCardle	D12/166	
D746,732	S *	1/2016	Pruitt	D12/166	
D751,472	S *	3/2016	Pruitt	D12/166	
2011/0155358	A1 *	6/2011	Galahroudi	F28F 9/0214	165/173

* cited by examiner

Primary Examiner — Darlington Ly

(74) *Attorney, Agent, or Firm* — Cozen O'Connor

(57) **CLAIM**

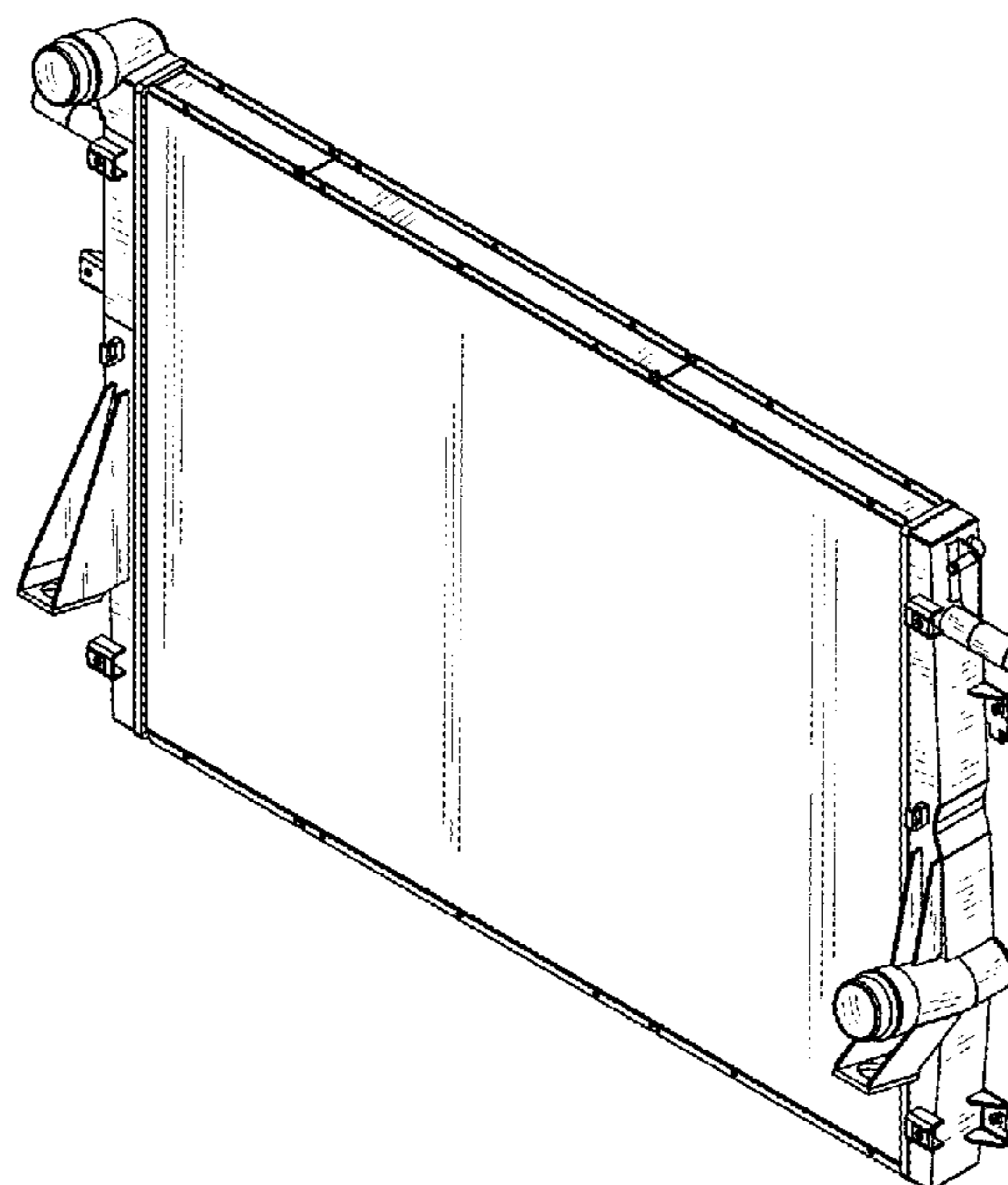
The ornamental design for a radiator for automotive applications, as shown and described.

DESCRIPTION

FIG. 1 is a front elevation view of a radiator for automotive applications showing our new design; FIG. 2 is a rear elevation view thereof; FIG. 3 is a left side elevation view thereof; FIG. 4 is a right side elevation view thereof; FIG. 5 is a top plan view thereof; FIG. 6 is a bottom plan view thereof; FIG. 7 is a perspective view thereof; and, FIG. 8 is a front elevation view thereof with an exemplary panel attached.

The broken line showing the rectangular panel that occupies the front surface of the radiator is provided for the purpose of illustrating environmental structure and forms no part of the claimed design.

1 Claim, 5 Drawing Sheets



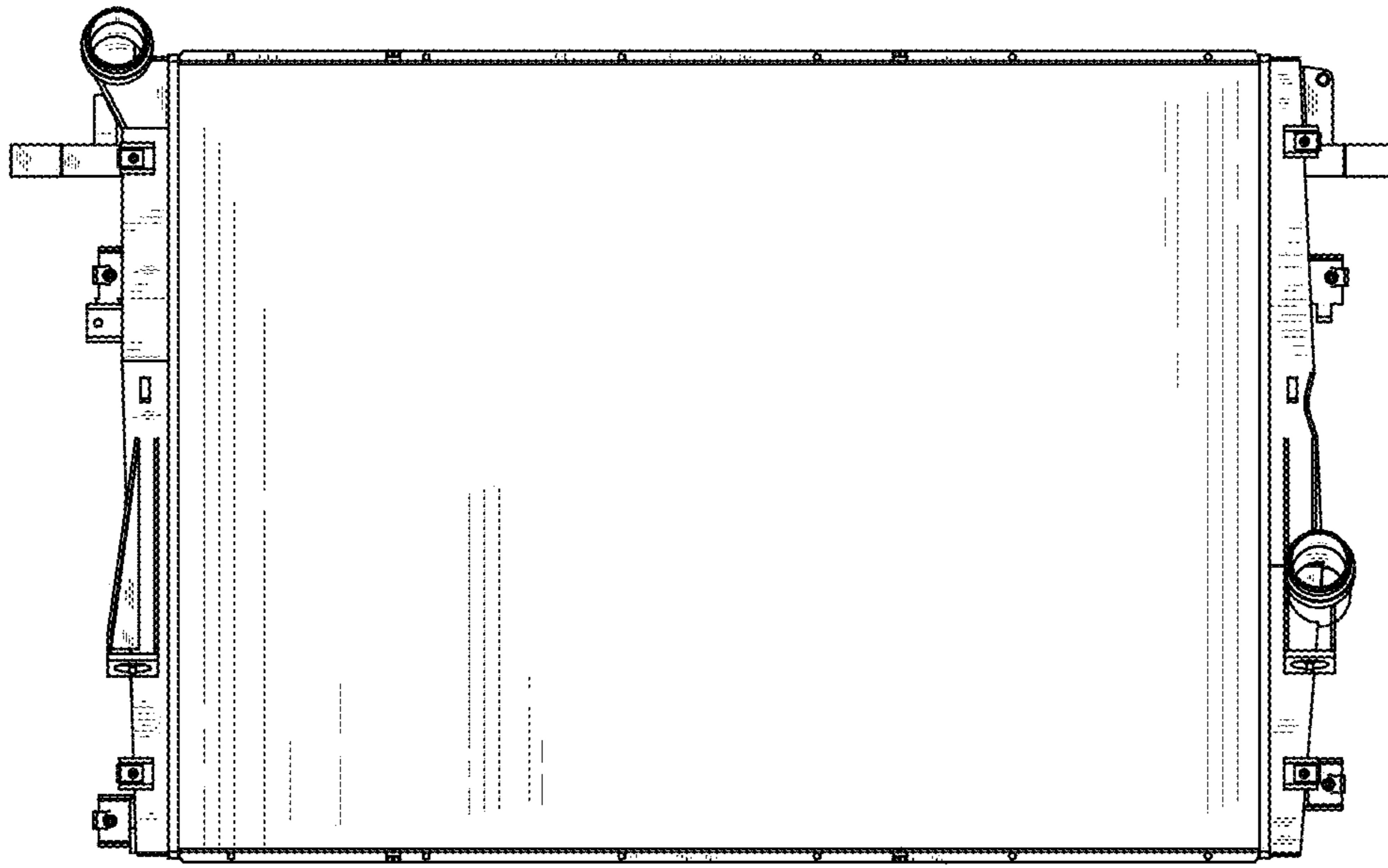


FIGURE 1

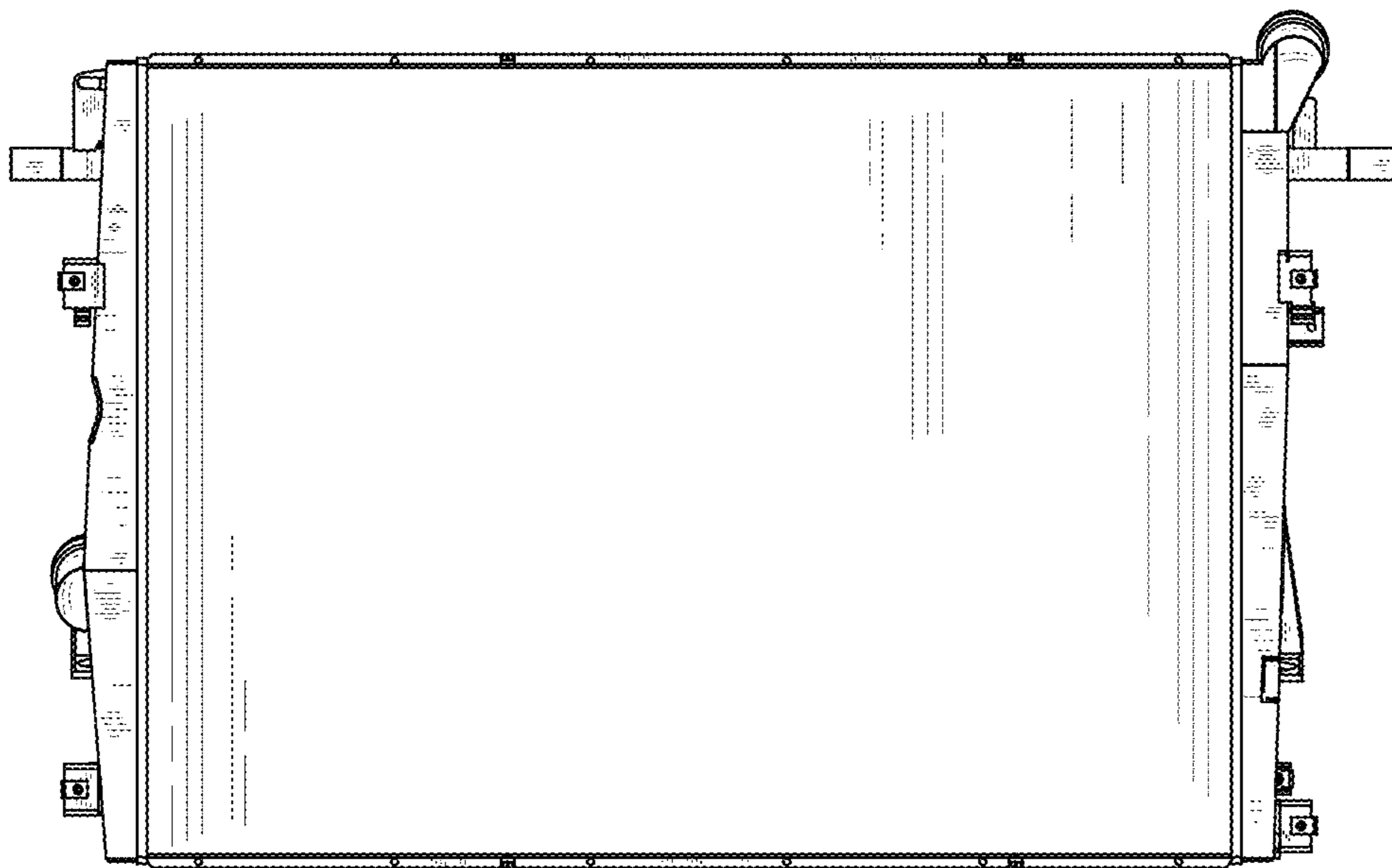


FIGURE 2

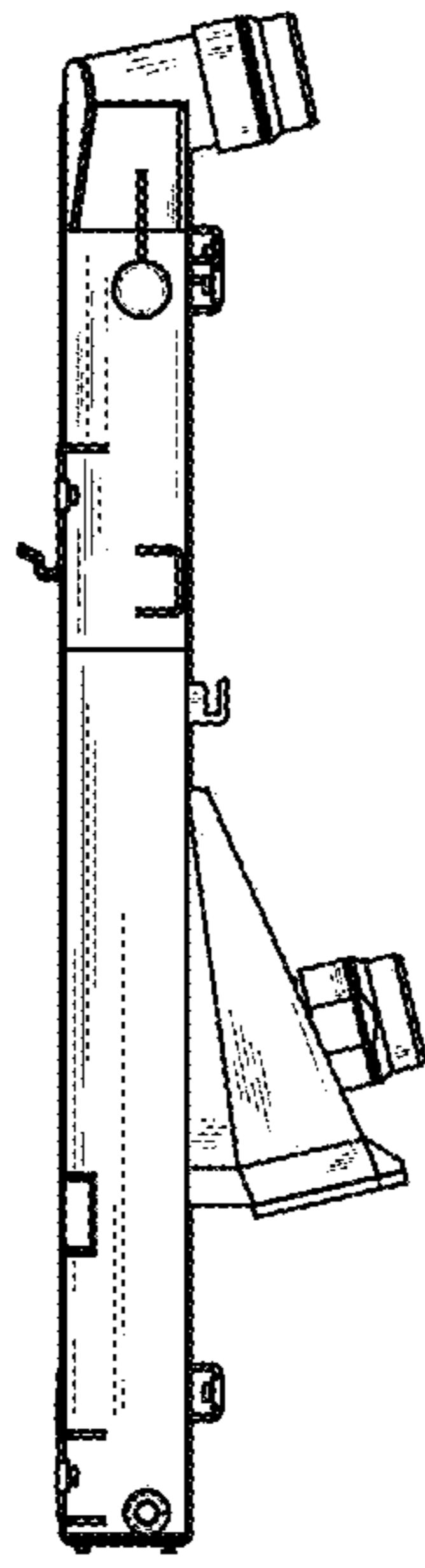


FIGURE 3

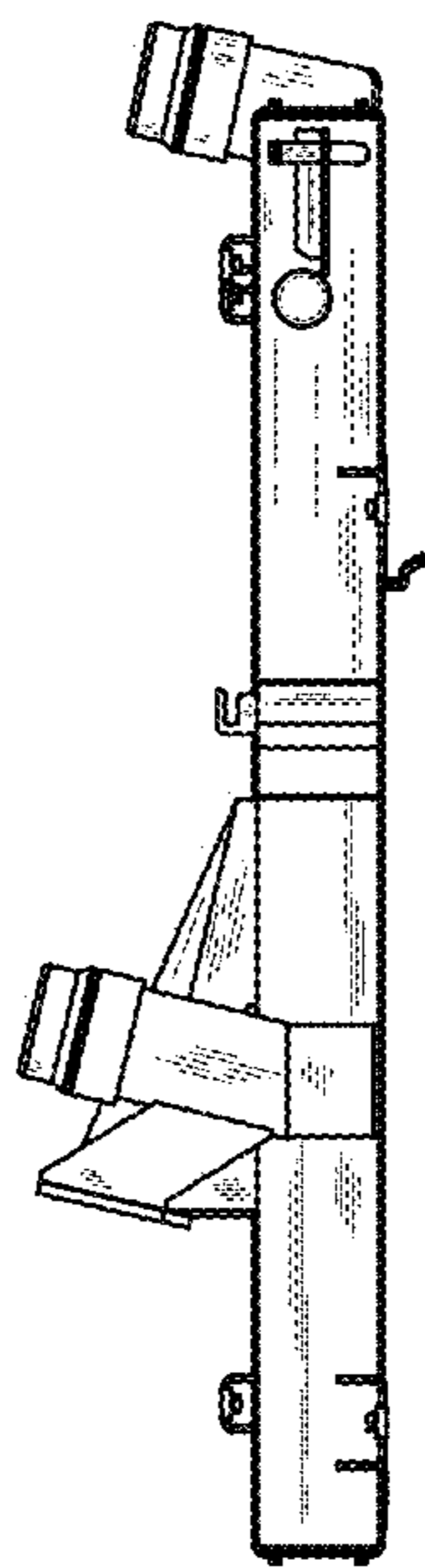


FIGURE 4

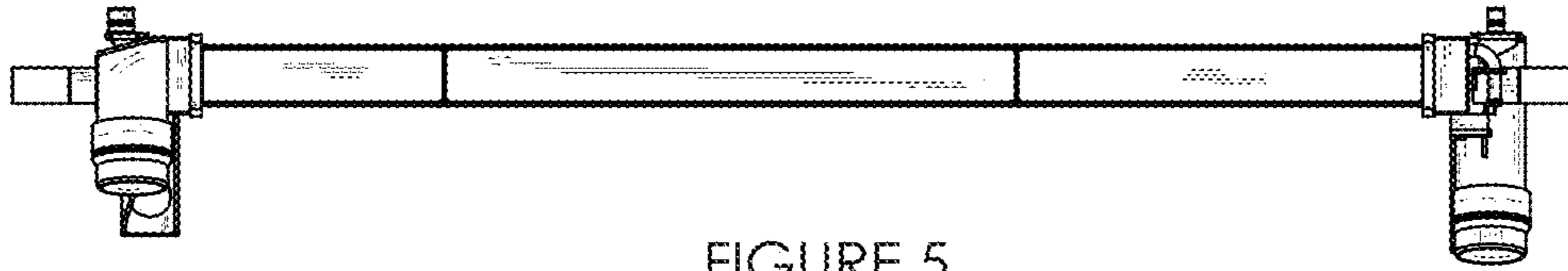


FIGURE 5

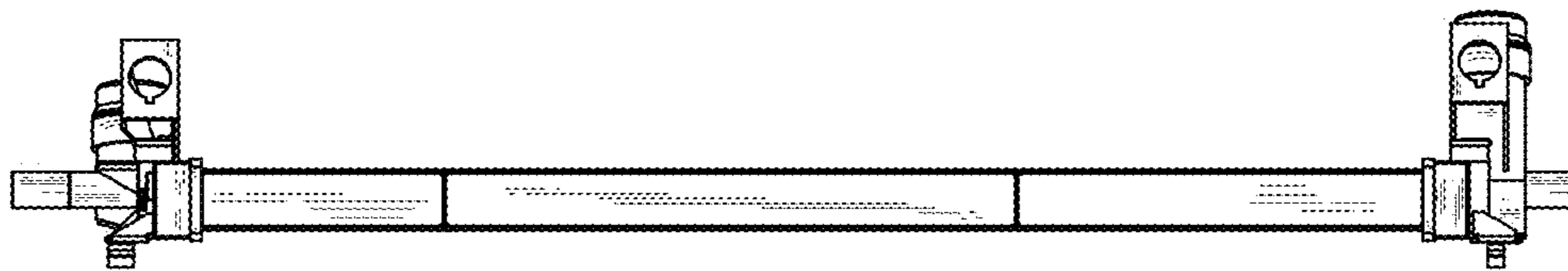


FIGURE 6

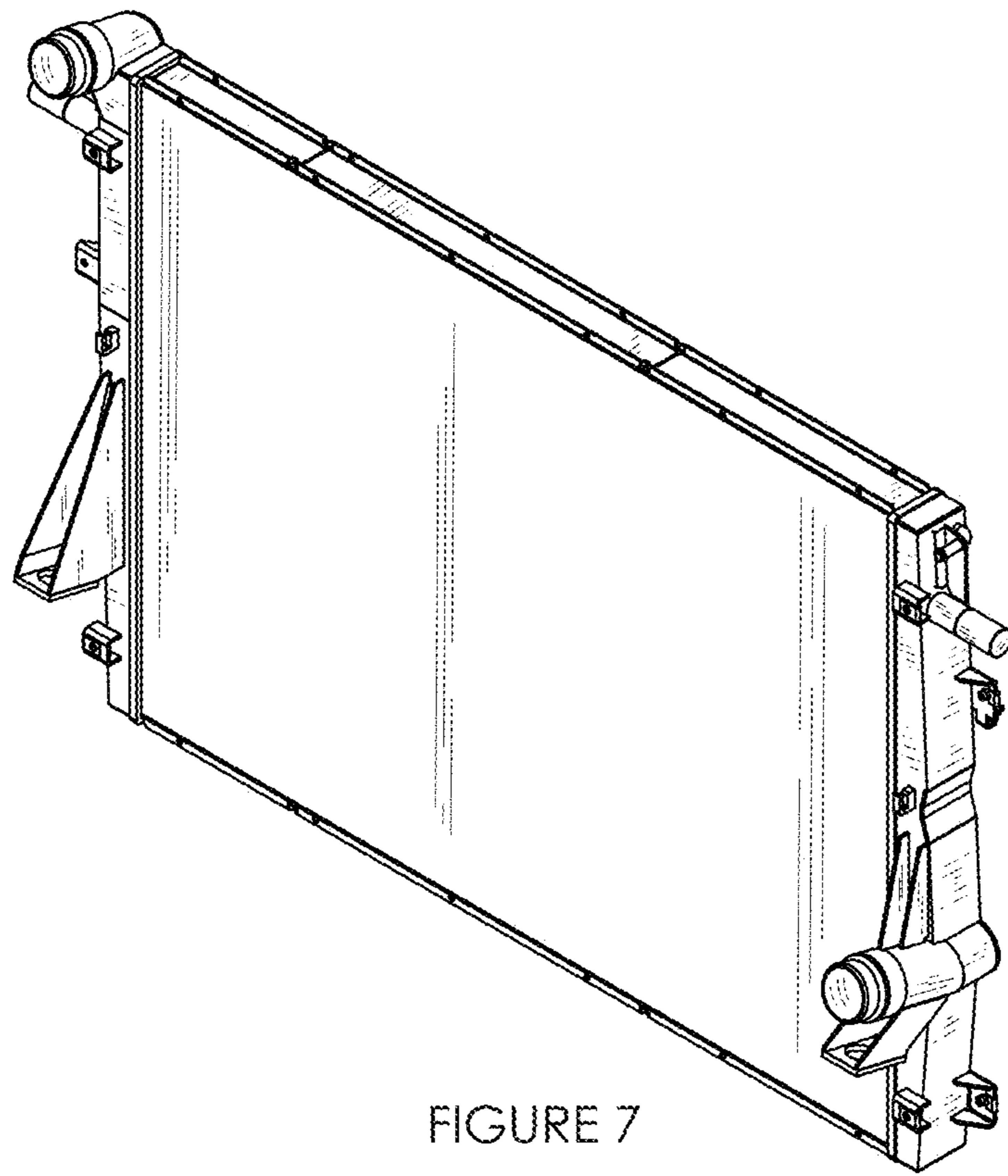


FIGURE 7

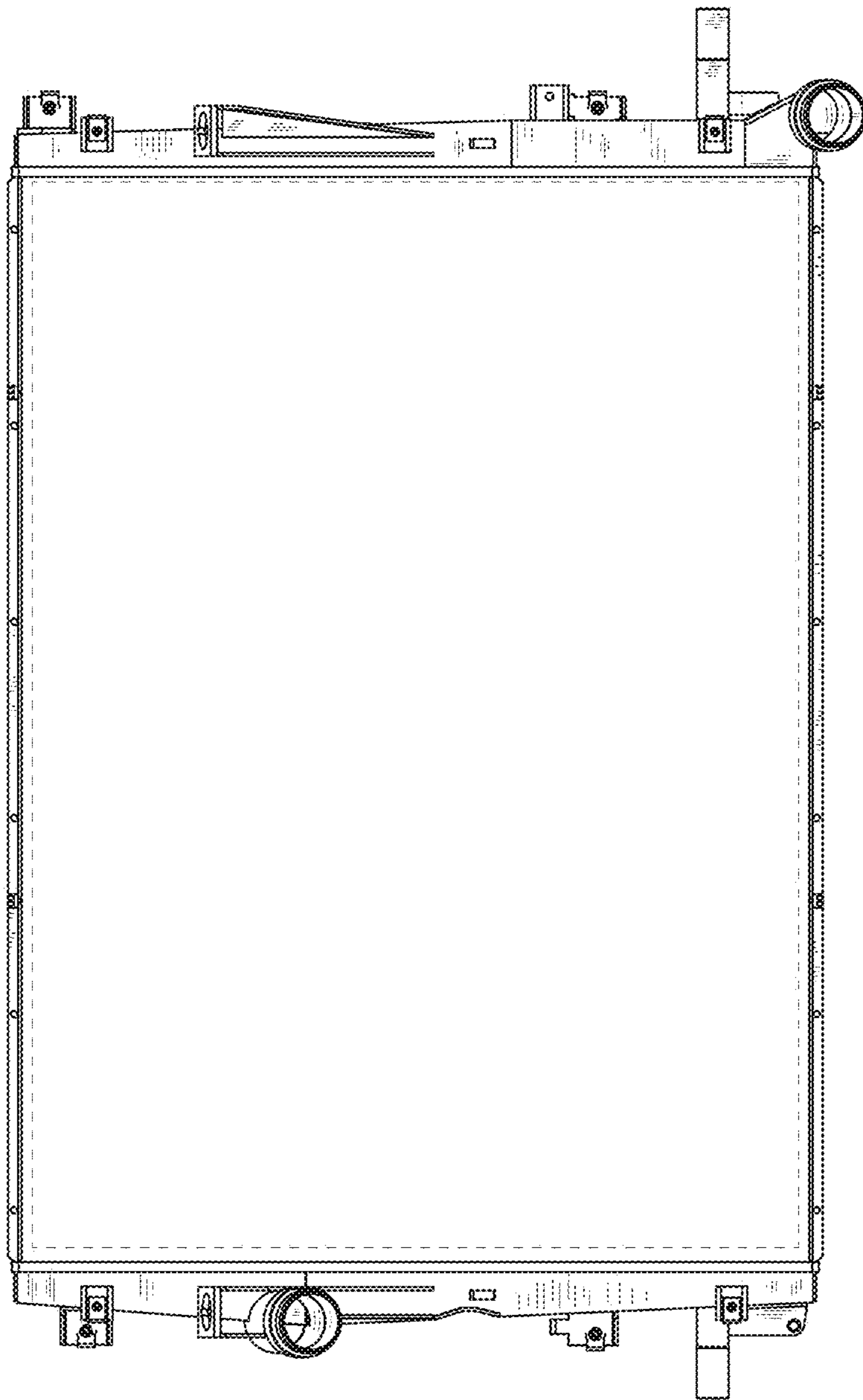


FIGURE 8