



US00D890636S

(12) **United States Design Patent**
Sanborn

(10) **Patent No.:** **US D890,636 S**
(45) **Date of Patent:** **** Jul. 21, 2020**

(54) **TRAILER HITCH COVER**

(71) Applicant: **Craig Lewis Sanborn**, Loomis, CA (US)

(72) Inventor: **Craig Lewis Sanborn**, Loomis, CA (US)

(**) Term: **15 Years**

(21) Appl. No.: **29/618,238**

(22) Filed: **Sep. 20, 2017**

(51) **LOC (12) Cl.** **12-16**

(52) **U.S. Cl.**
USPC **D12/162**

(58) **Field of Classification Search**
USPC D12/159, 160, 161, 162
(Continued)

(56) **References Cited**

U.S. PATENT DOCUMENTS

5,603,178 A * 2/1997 Morrison B60D 1/60
280/507
D419,505 S * 1/2000 Deerman D12/162
(Continued)

OTHER PUBLICATIONS

Sportman's Guide, "S&W® 6—shooter Hitch Cover," <https://www.sportsmansguide.com/product/index/sw-6-shooter-hitch-cover?a=429834>.

(Continued)

Primary Examiner — Philip S Hyder
Assistant Examiner — Jerry Shiuian-Hua Hsu

(57) **CLAIM**

The ornamental design of a trailer hitch cover, as shown and described.

DESCRIPTION

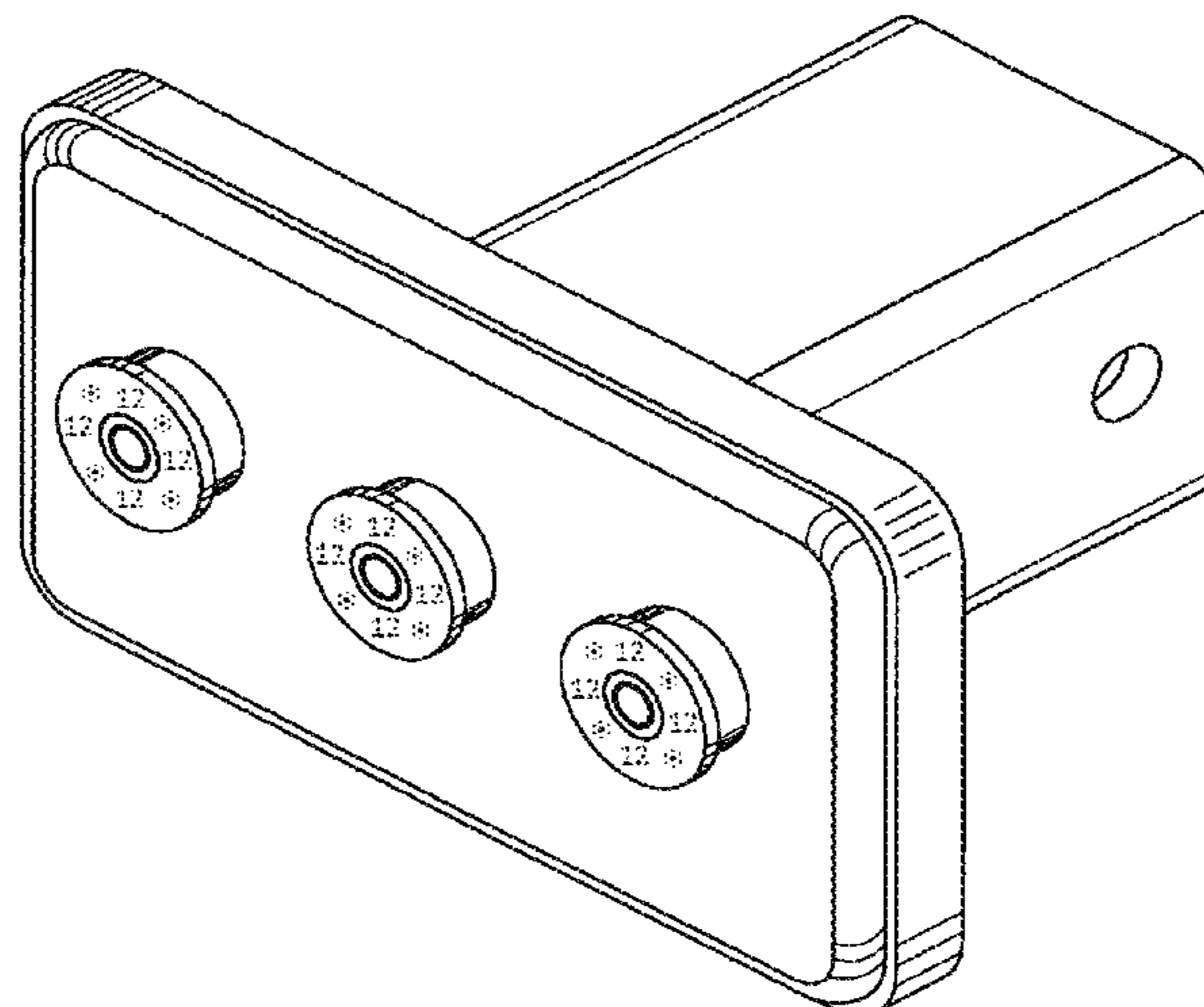
FIG. 1 is a front perspective view of a first embodiment of a trailer hitch cover showing my new design;

FIG. 2 is a front view thereof;
FIG. 3 is a rear view thereof;
FIG. 4 is a top view thereof, where the bottom view is a mirror image of the top view;
FIG. 5 is a left side view thereof, where the right side view is a mirror image of the left side view;
FIG. 6 is a rear perspective view thereof;
FIG. 7 is a front perspective view of a second embodiment of a trailer hitch cover showing my new design;
FIG. 8 is a front view thereof;
FIG. 9 is a rear view thereof;
FIG. 10 is a top view thereof, where the bottom view is a mirror image of the top view;
FIG. 11 is a left side view thereof, where the right side view is a mirror image of the left side view;
FIG. 12 is a rear perspective view thereof;
FIG. 13 is a front perspective view of a third embodiment of a trailer hitch cover showing my new design;
FIG. 14 is a front view thereof;
FIG. 15 is a rear view thereof;
FIG. 16 is a top view thereof, where the bottom view is a mirror image of the top view;
FIG. 17 is a left side view thereof, where the right side view is a mirror image of the left side view;
FIG. 18 is a rear perspective view thereof;
FIG. 19 is a front perspective view of a fourth embodiment of a trailer hitch cover showing my new design;
FIG. 20 is a front view thereof;
FIG. 21 is a rear view thereof;
FIG. 22 is a top view thereof, where the bottom view is a mirror image of the top view;
FIG. 23 is a left side view thereof, where the right side view is a mirror image of the left side view; and,
FIG. 24 is a rear perspective view thereof.

The trailer hitch cover is characterized by the appearance of shotgun shell casings protruding from the surface thereof. The trailer hitch cover is not limited to the scale shown herein.

The broken line showing of hardware (e.g., washer, bolt, rivet, etc.), portions of hardware, and textual and symbolic elements (e.g., numbers, stars, etc.) form no part of the claimed design.

1 Claim, 16 Drawing Sheets



(58) **Field of Classification Search**
 CPC B60D 1/60; B60D 1/065; B60R 3/007
 See application file for complete search history.

(56) **References Cited**

U.S. PATENT DOCUMENTS

D424,485	S	*	5/2000	Parker	D12/162
D425,460	S	*	5/2000	Peroni	D12/162
D426,798	S	*	6/2000	Peroni	D12/162
D458,195	S	*	6/2002	Beauvais	D12/162
D480,338	S	*	10/2003	Harwood	D12/162
6,655,822	B1		12/2003	Slyvester		
D503,663	S	*	4/2005	Kolflat	D12/162
D506,711	S	*	6/2005	Ruiz	D12/162
D528,949	S	*	9/2006	Tirey	D12/162
D529,418	S		10/2006	Muhl nickel		
D553,548	S	*	10/2007	Douglas	D12/194
D618,598	S	*	6/2010	Edwards	D12/162
D641,294	S	*	7/2011	Edick	D12/162
D648,661	S	*	11/2011	Sullivan	D12/162
D666,538	S	*	9/2012	Duffy	D12/162
D669,399	S	*	10/2012	Arakelian	D12/162
D676,363	S	*	2/2013	Wise	D12/162
D732,441	S	*	6/2015	Sarajian	D12/162
9,055,793	B2		6/2015	Jansen		

D772,765	S	*	11/2016	Sylvester	D12/162
D862,306	S	*	10/2019	Porath	B60D 1/605
						D12/162
D862,309	S	*	10/2019	Hack	D12/162
2002/0125686	A1	*	9/2002	Blake	B60D 1/065
						280/507
2005/0121880	A1	*	6/2005	Santangelo	B60D 1/60
						280/507
2006/0209549	A1		9/2006	Valdez		
2019/0232743	A1	*	8/2019	Tuthill	B60R 3/007

OTHER PUBLICATIONS

California Custom Parts, "Custom Chrome Revolver Horn Nut for Harley Twin Cam Models Brass Bullets," <http://www.californiacustomparts.com/CUSTOM-HORN-COVER-NUT-FOR-HARLEY-DAVIDSON-TWIN-CAM-MODELS-MAGNUM-REVOLVER-00008->.

J&P Cycles, "Milwaukee Twins Ammo Line 20 Gauge Brass Shotgun Shell License Plate Bolts," <http://www.jpccycles.com/product/211-911>.

Everything Bullets, "Nickel License Plate Nut Bolt Covers—Shotgun Shell Winchester, Package of 4," Etsy, <https://www.etsy.com/listing/194173619/nickel-license-plate-nut-bolt-covers>.

* cited by examiner

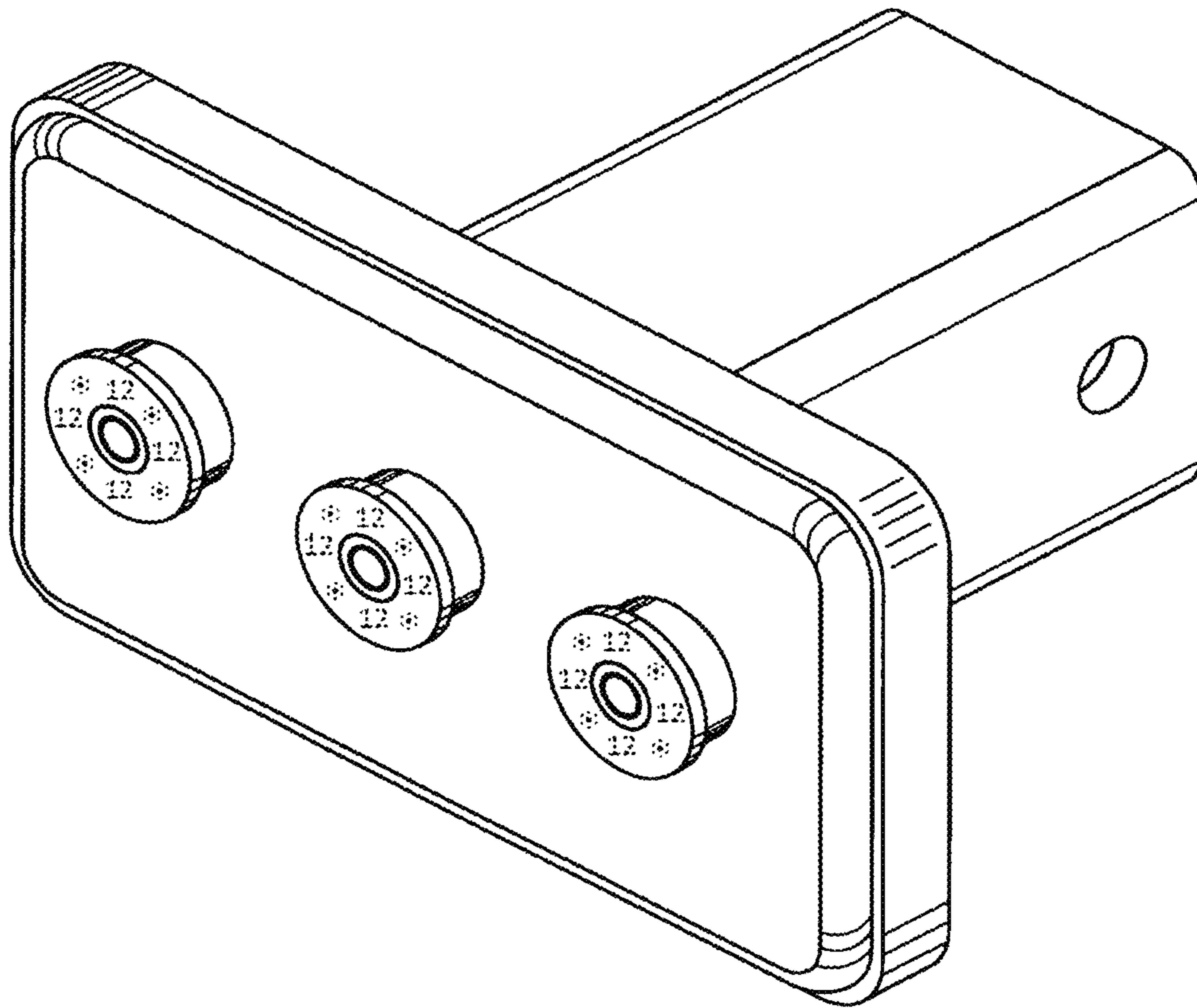


FIG. 1

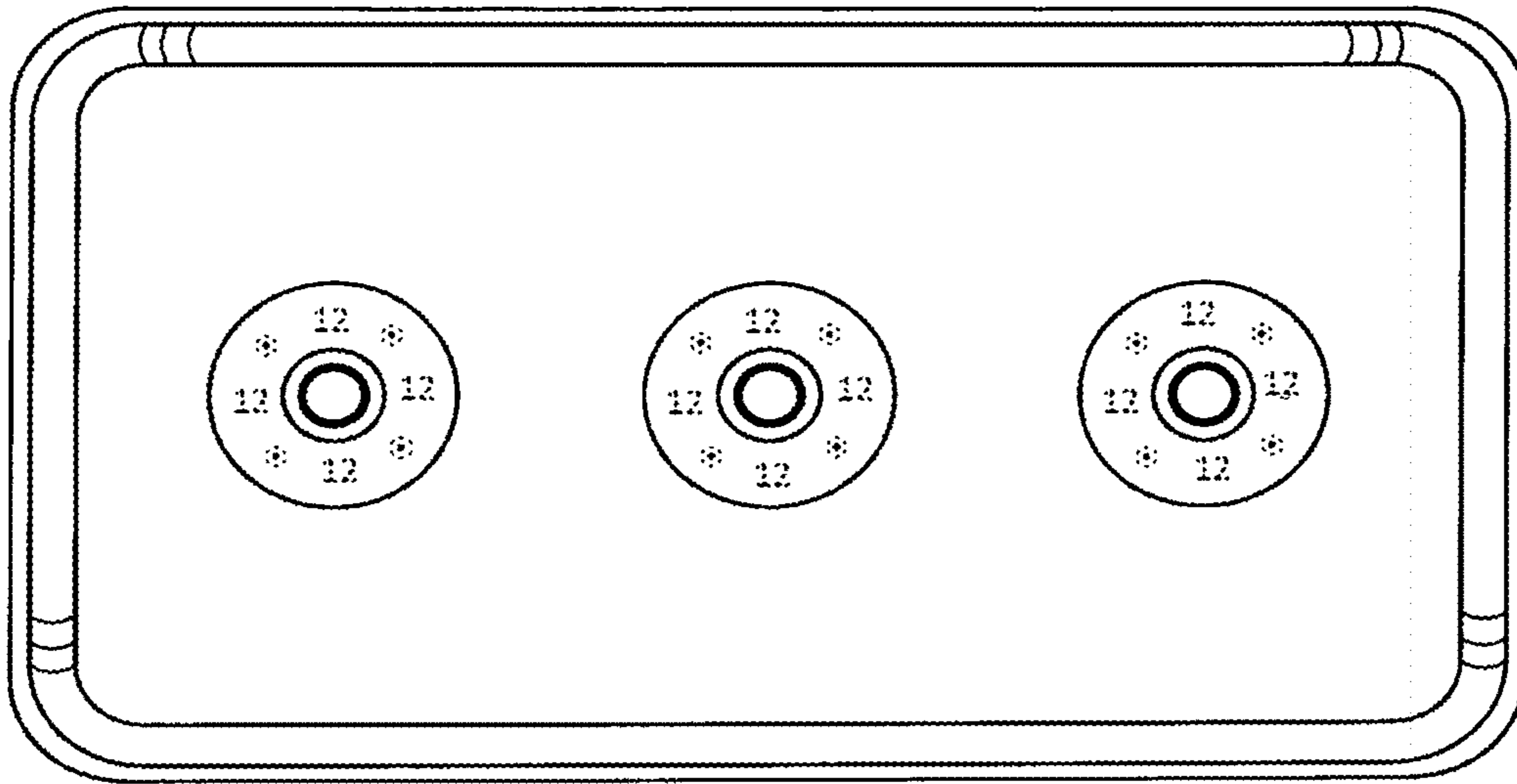


FIG. 2

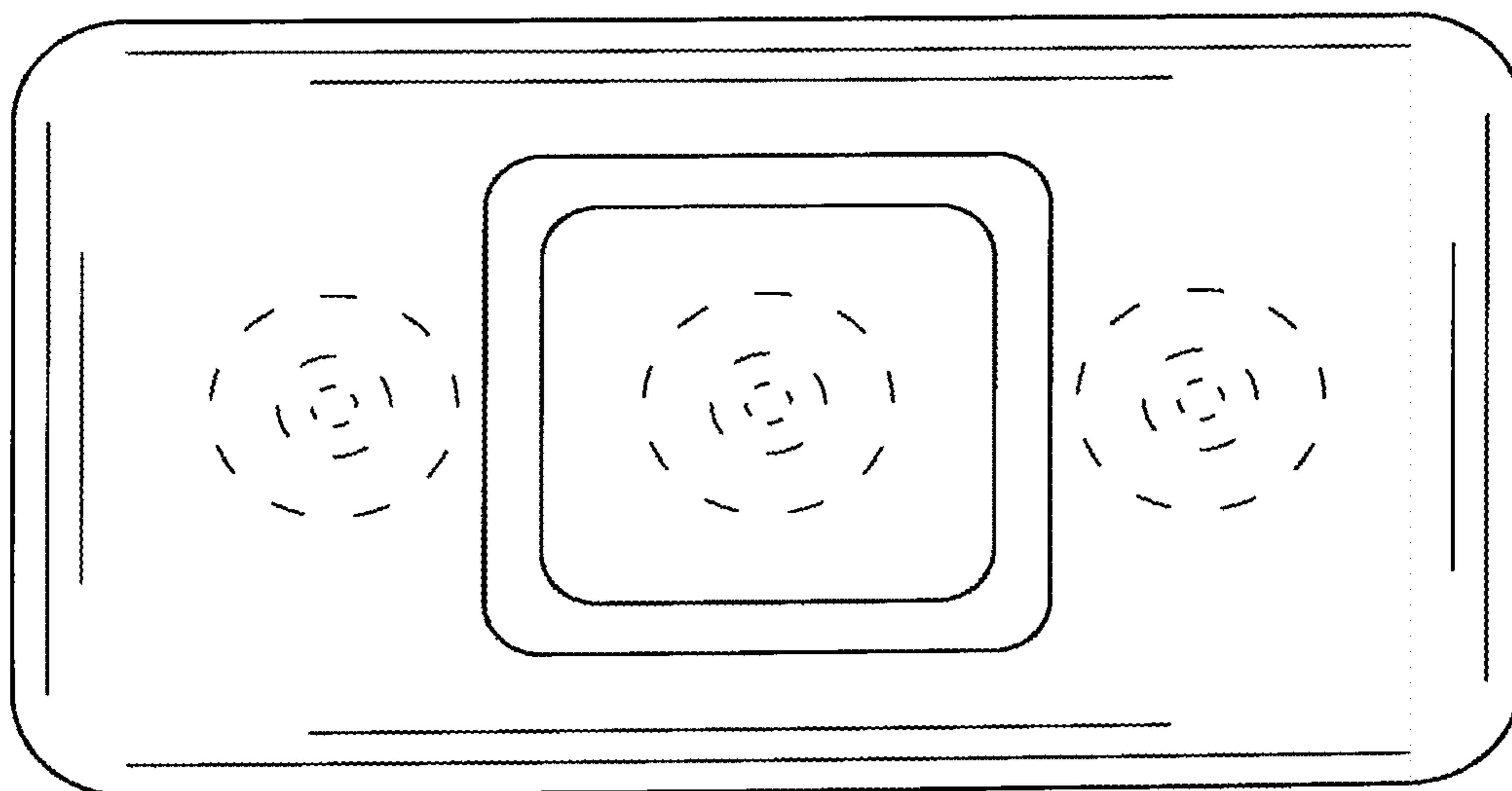


FIG. 3

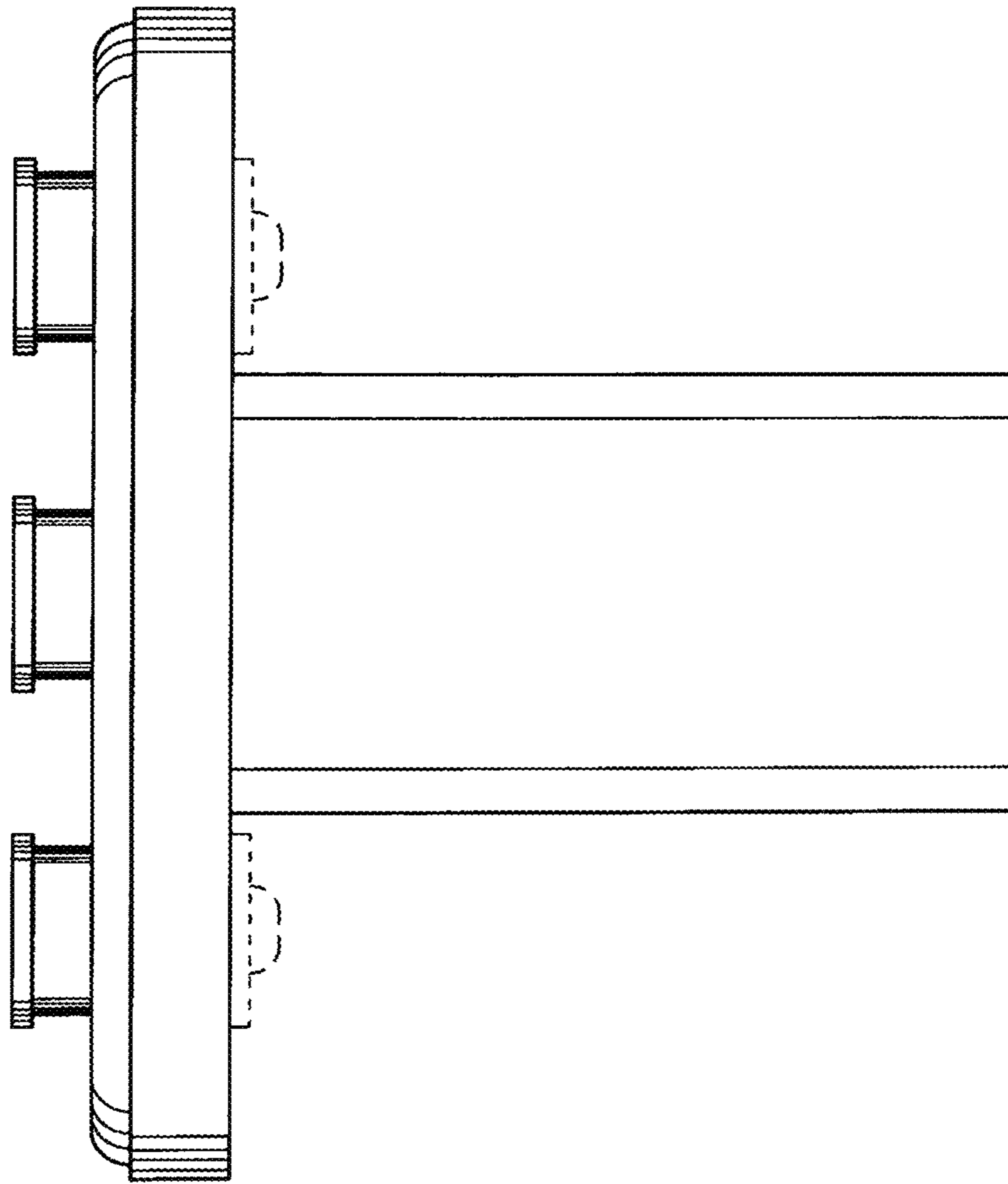


FIG. 4

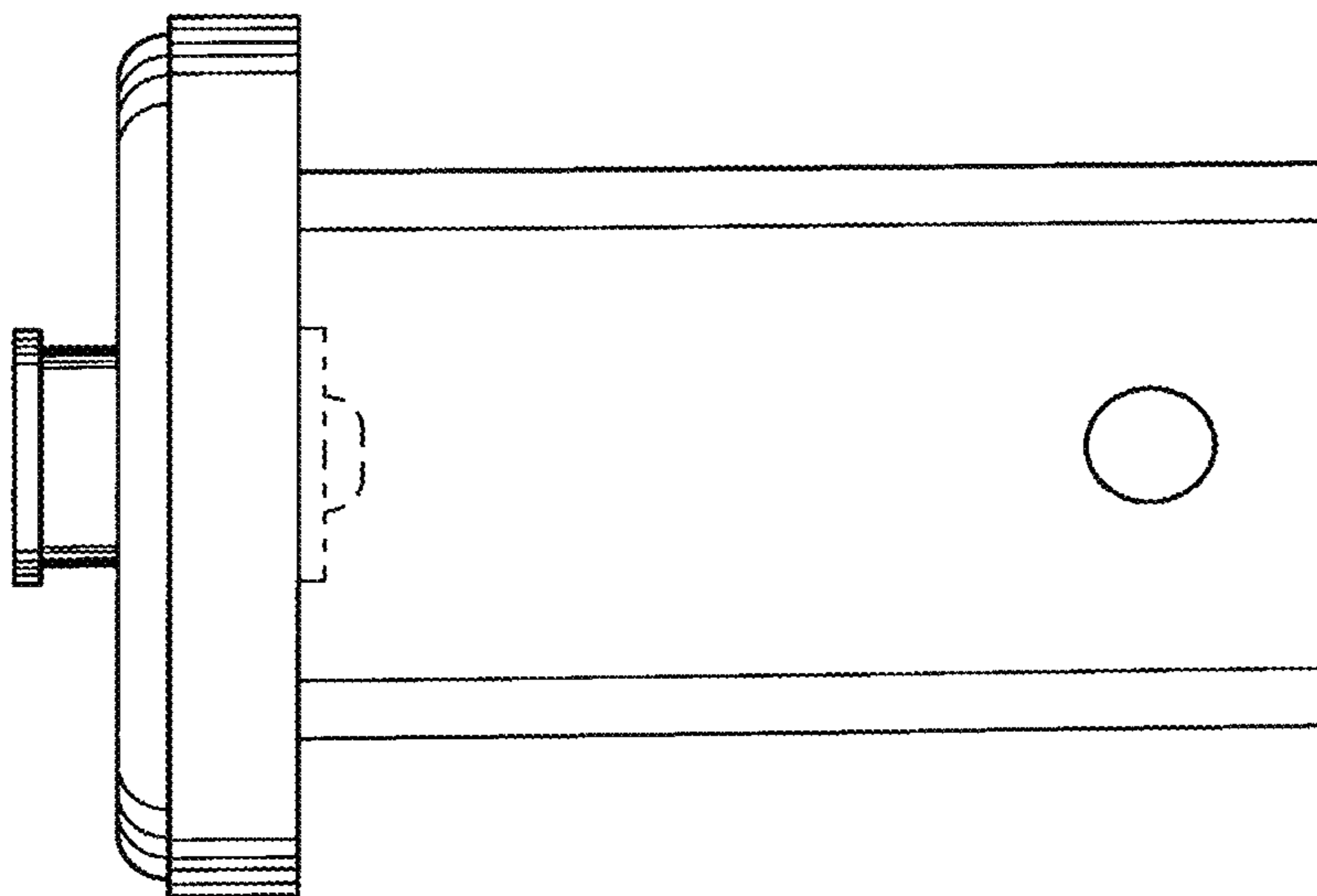


FIG. 5

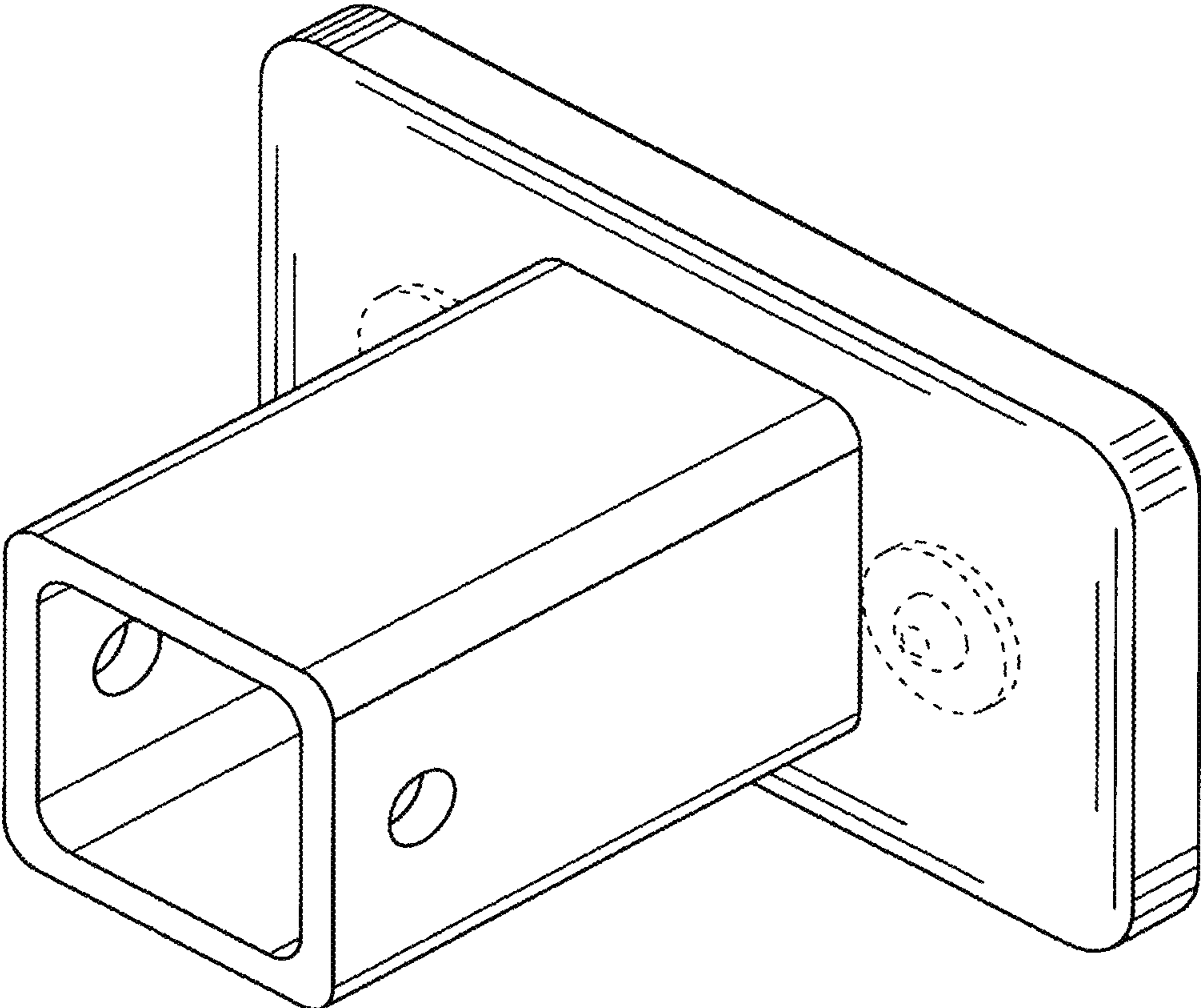


FIG. 6

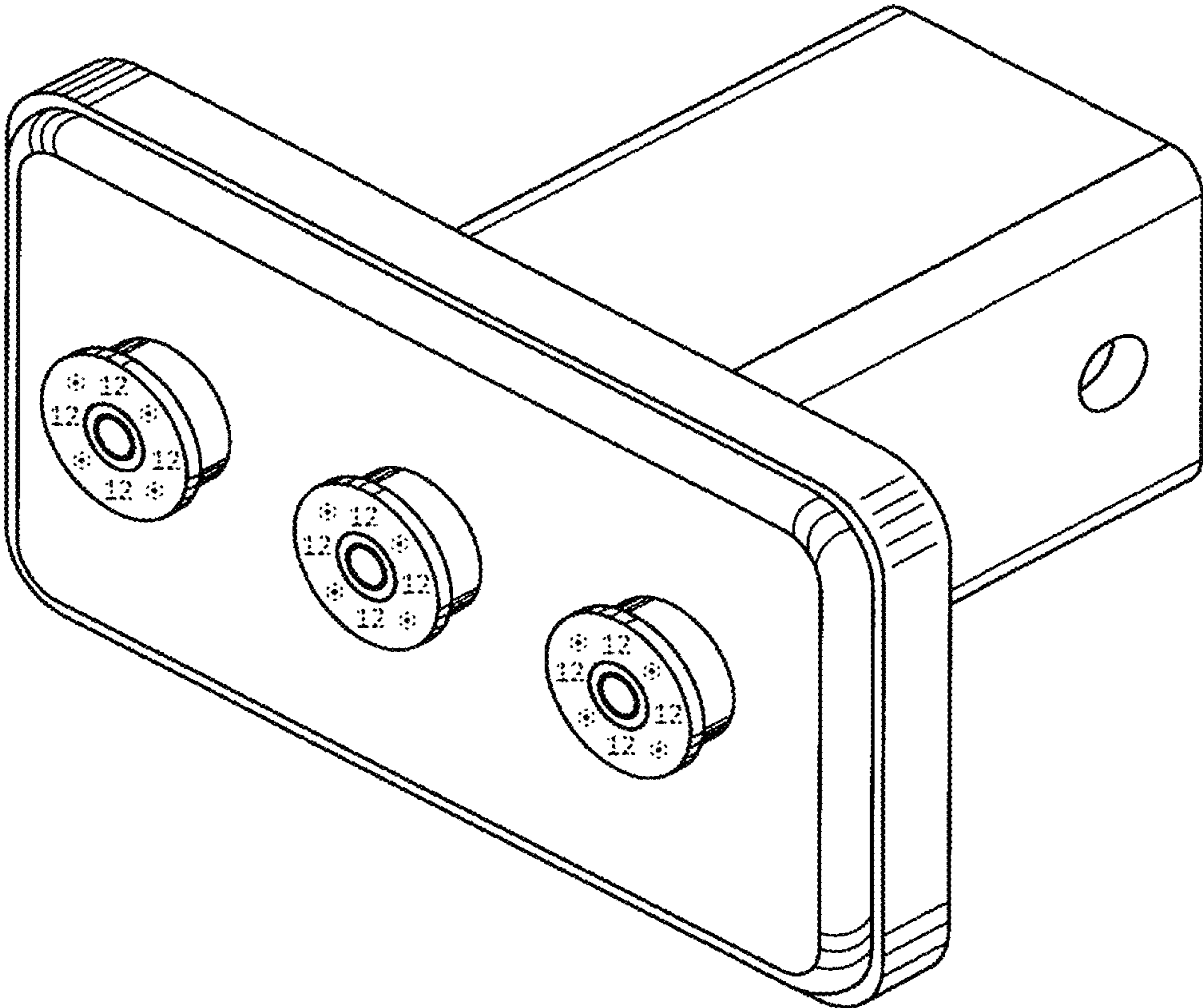


FIG. 7

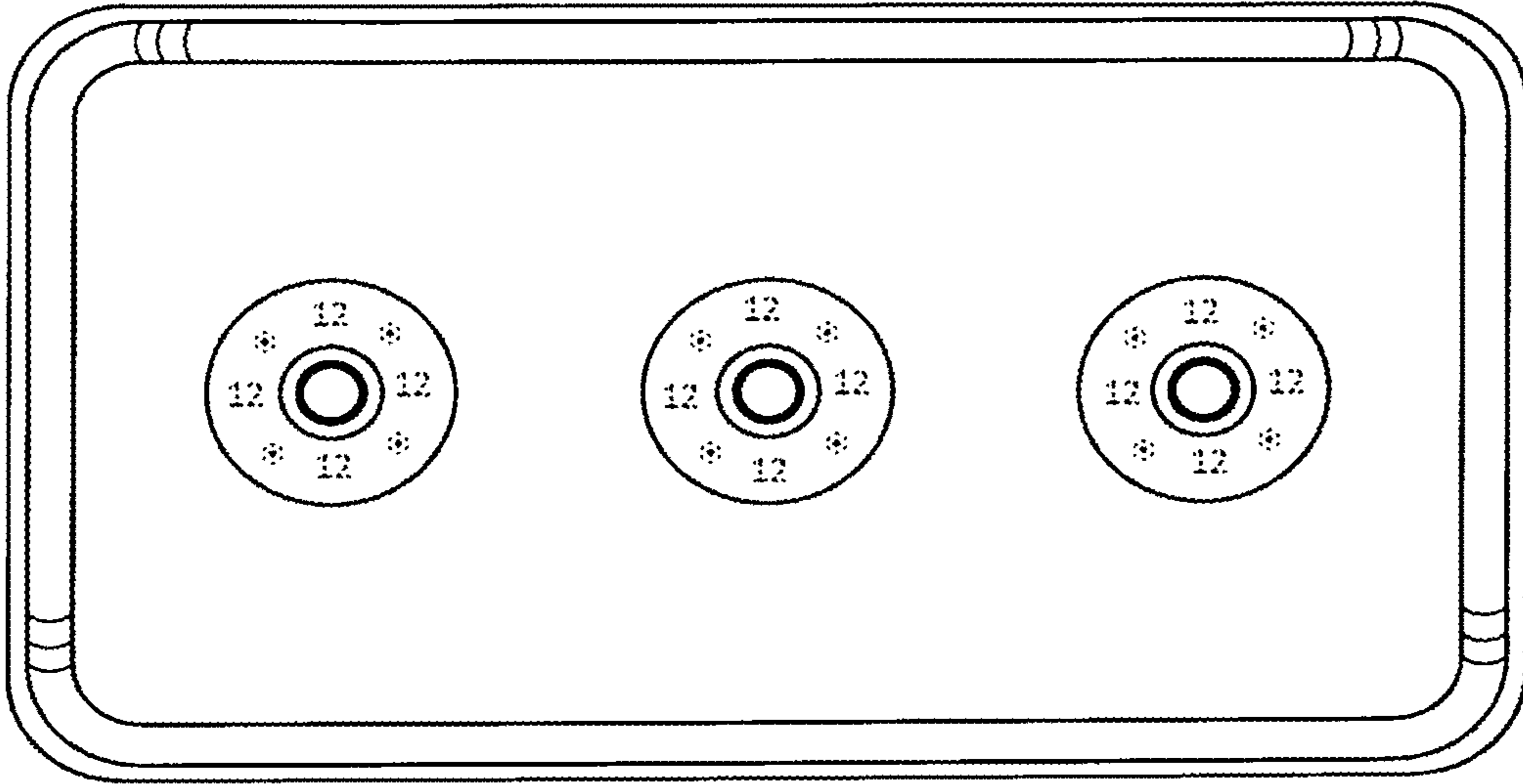


FIG. 8

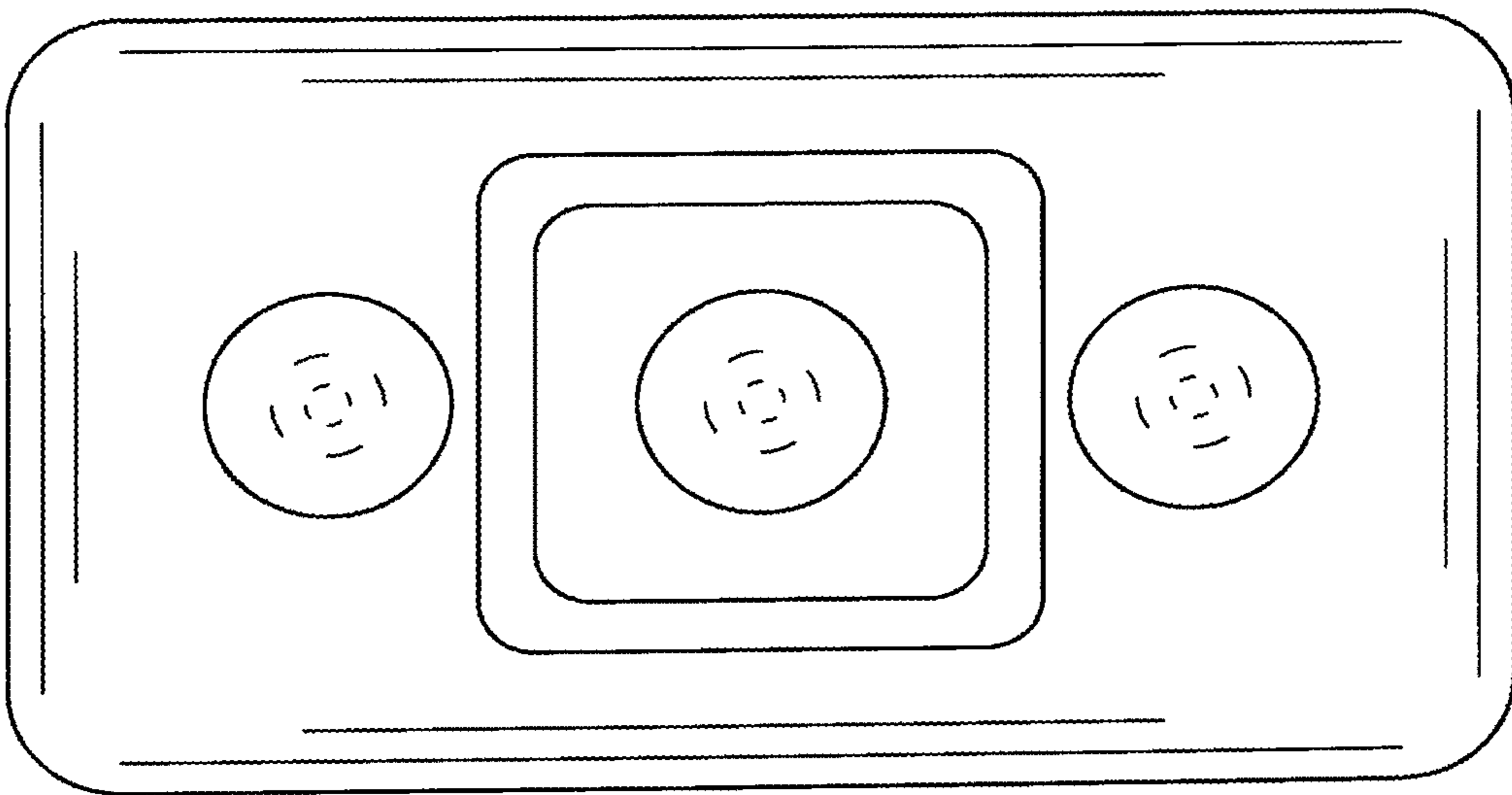


FIG. 9

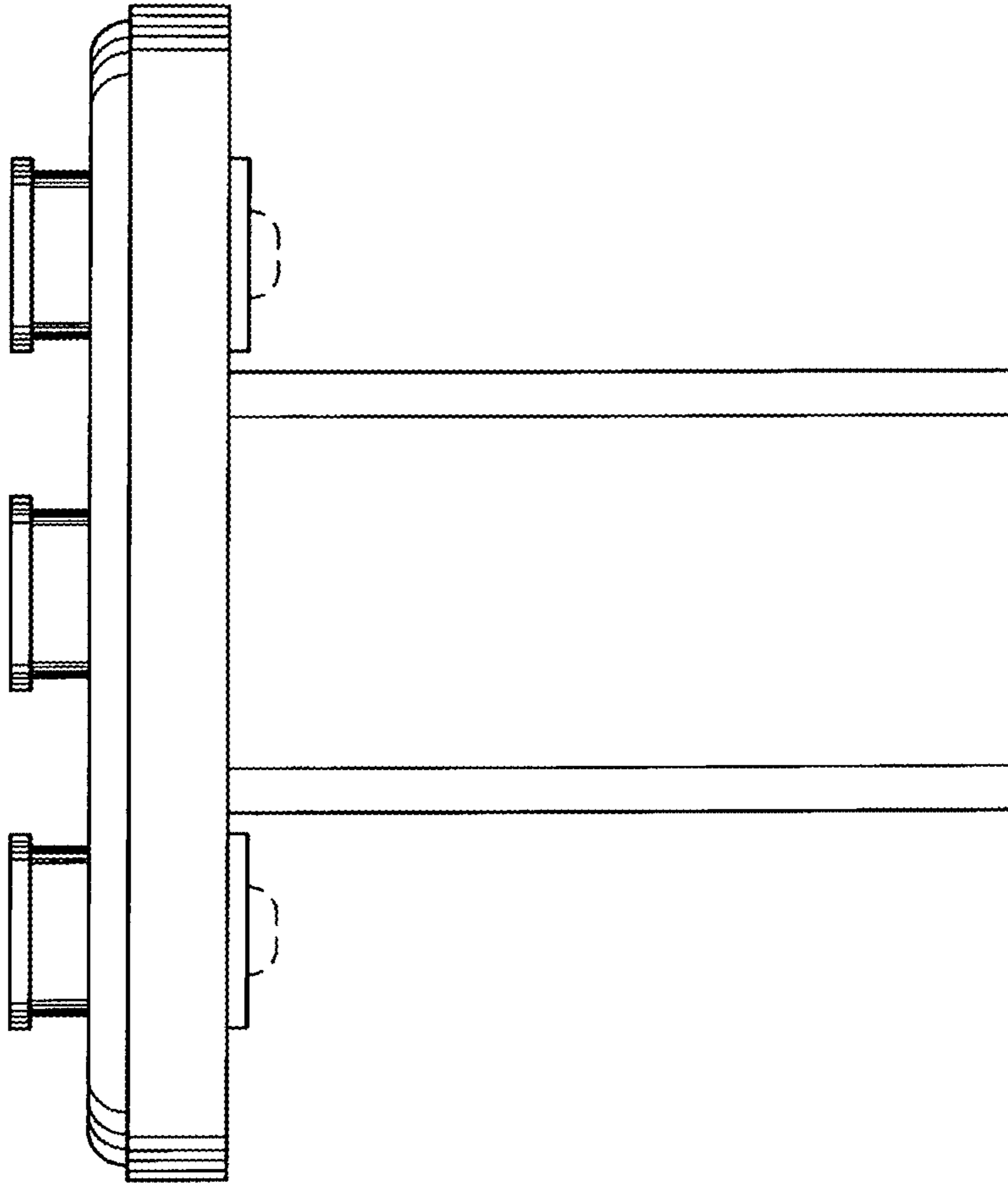


FIG. 10

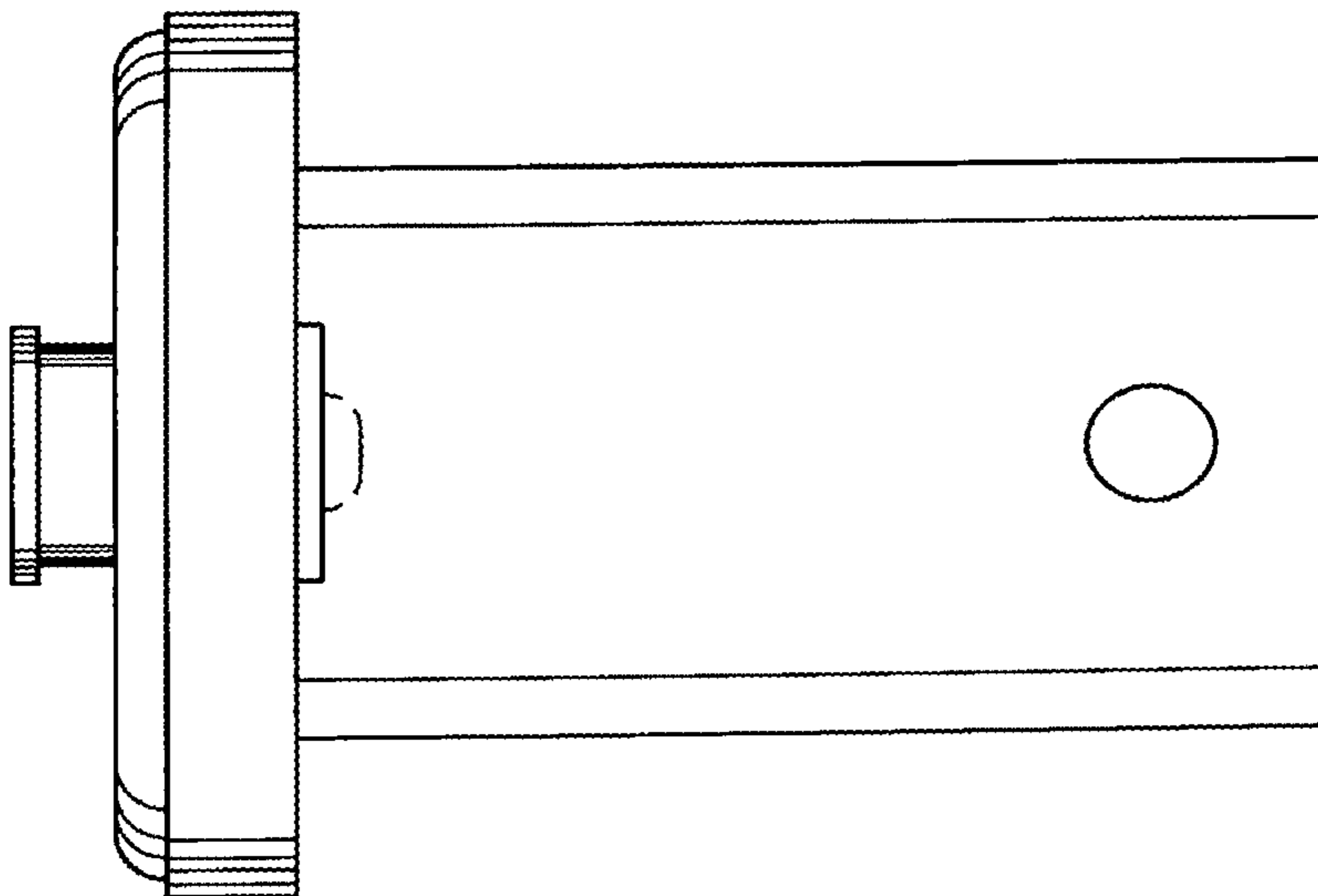


FIG. 11

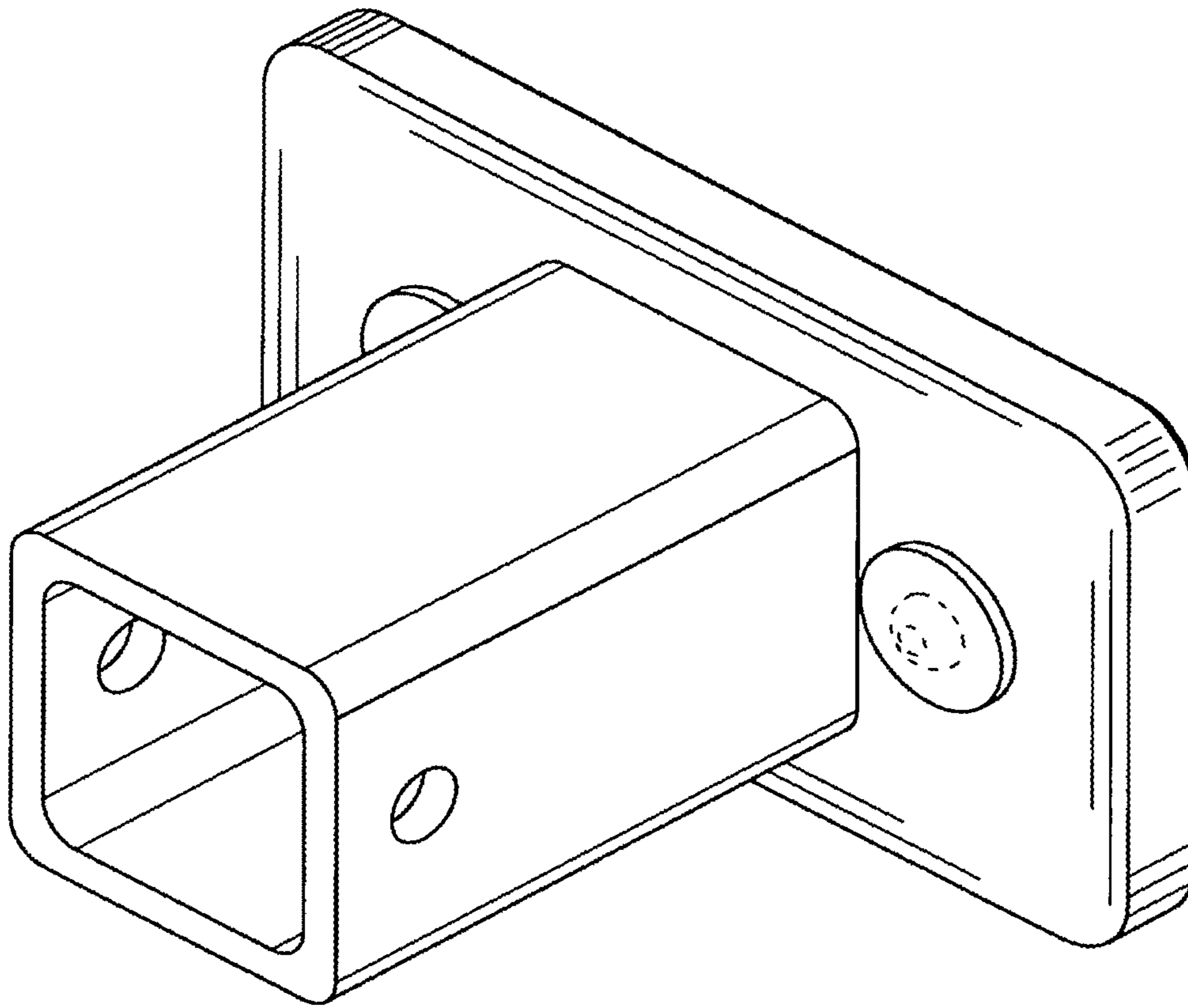


FIG. 12

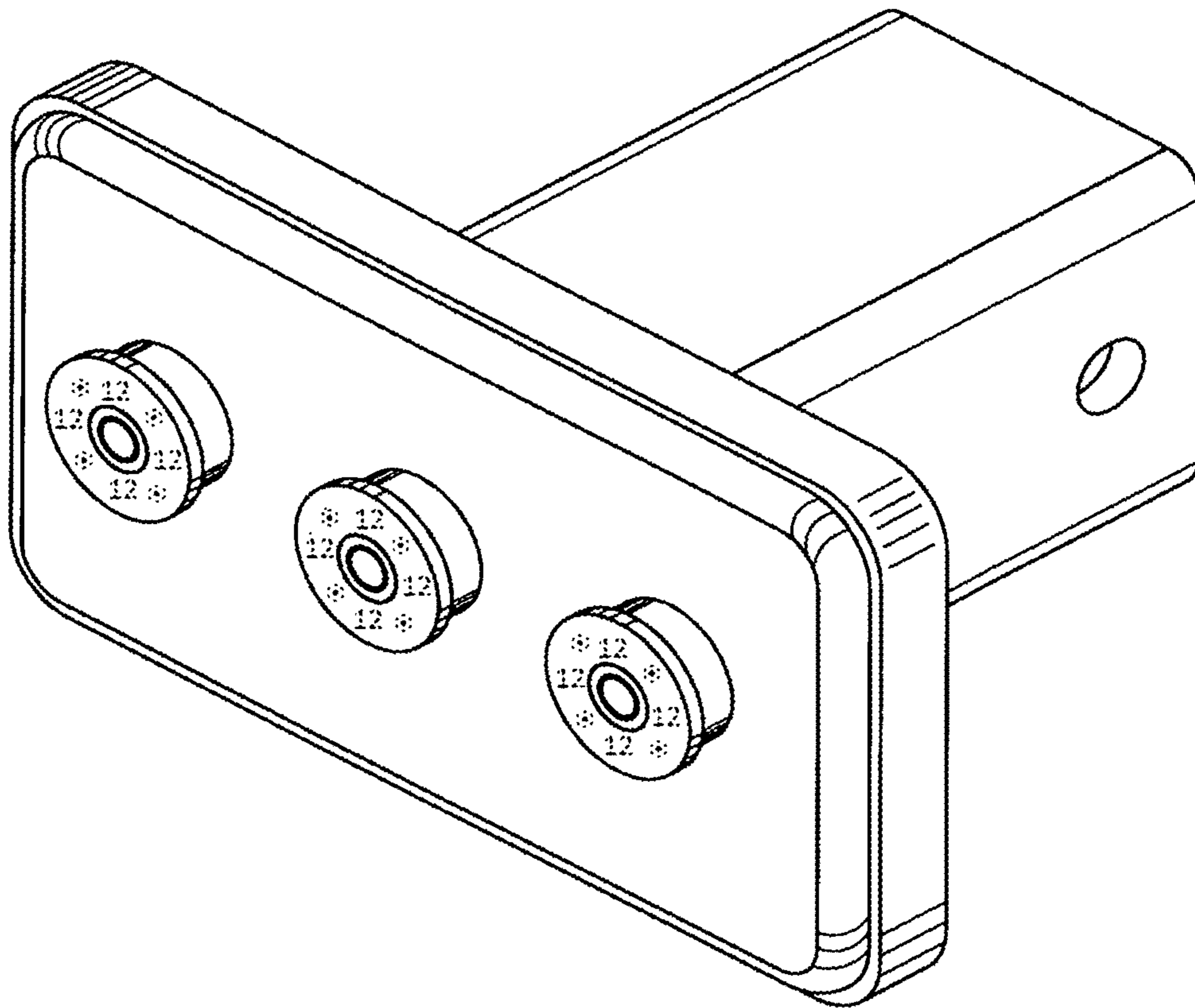


FIG. 13

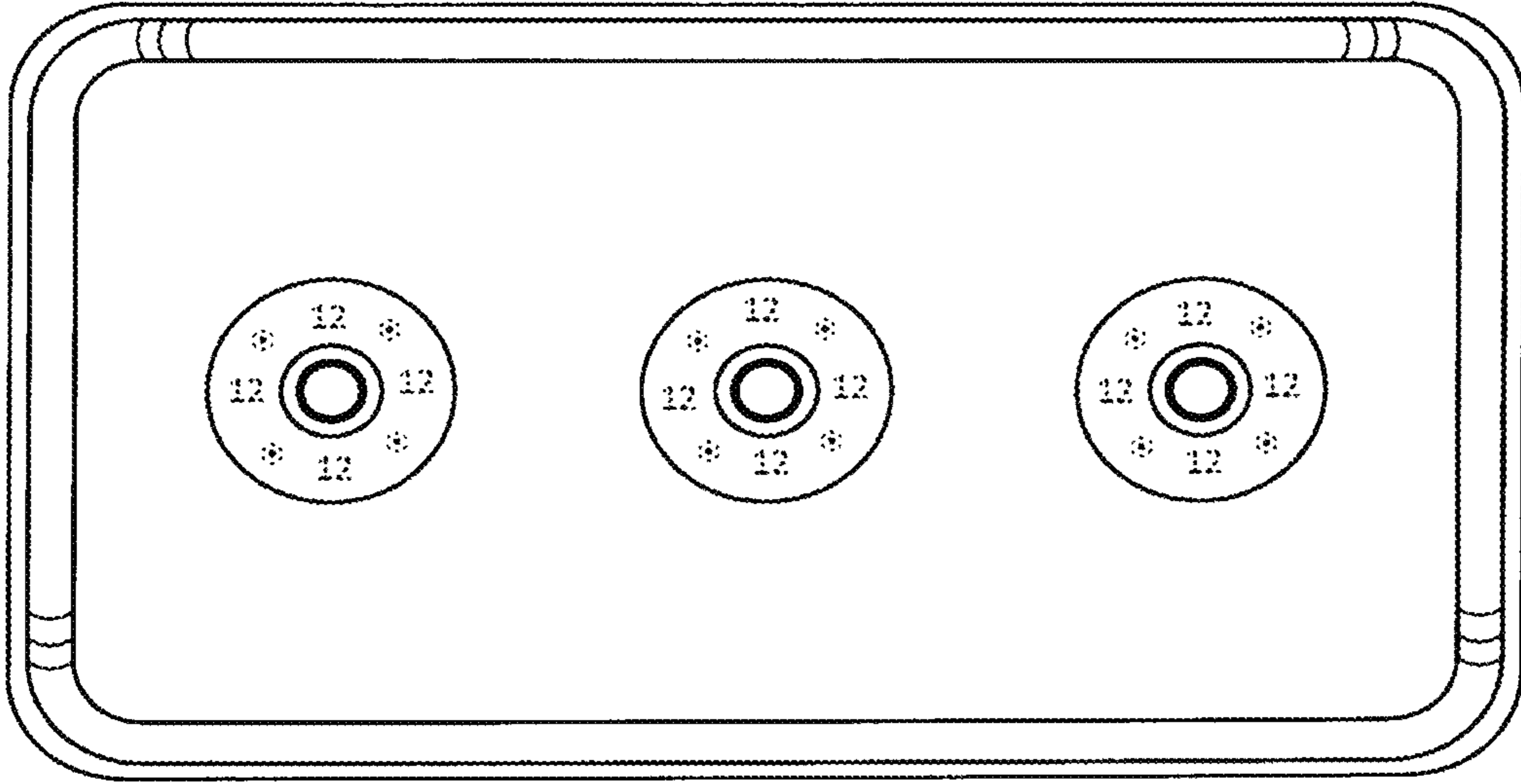


FIG. 14

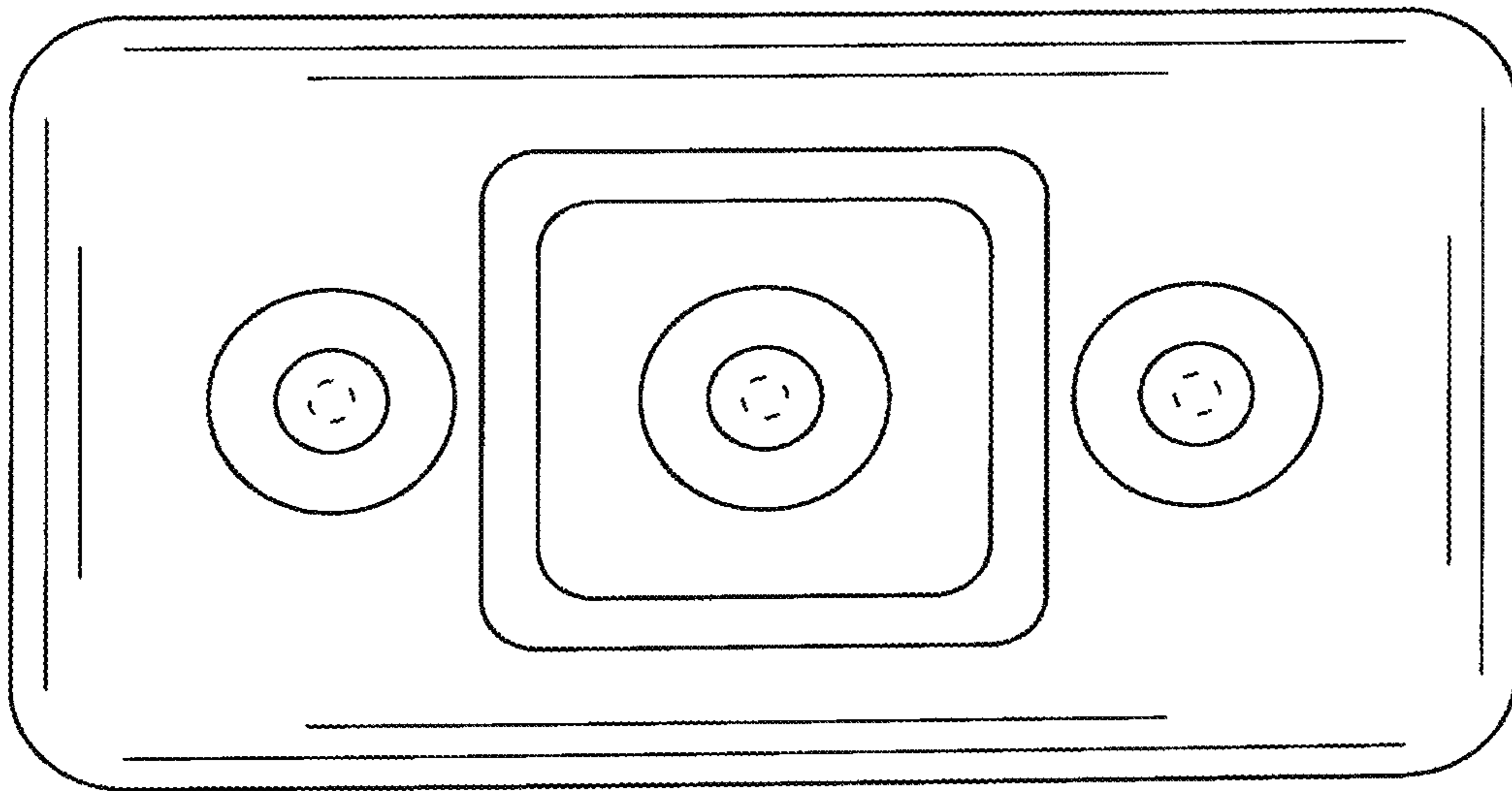


FIG. 15

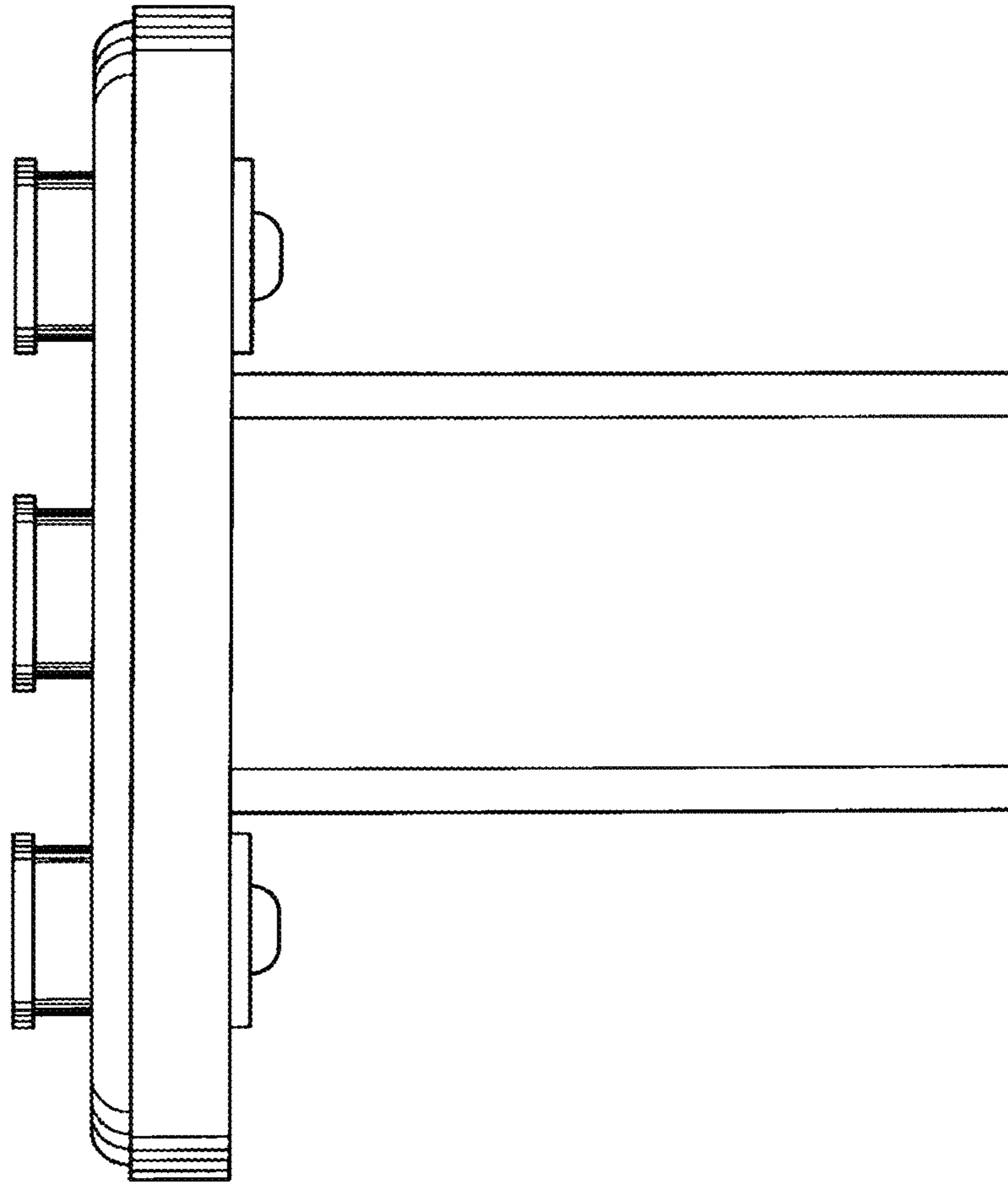


FIG. 16

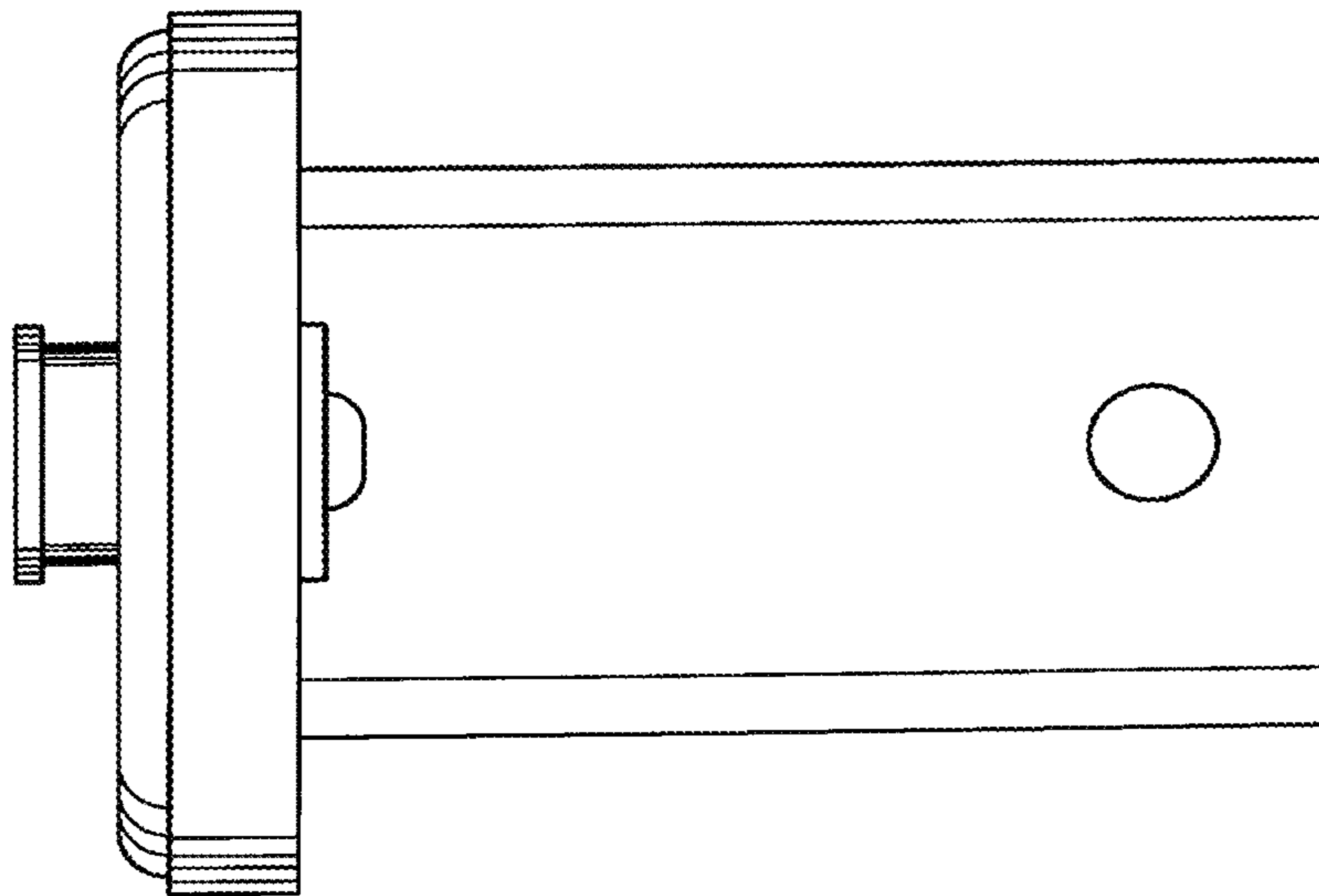


FIG. 17

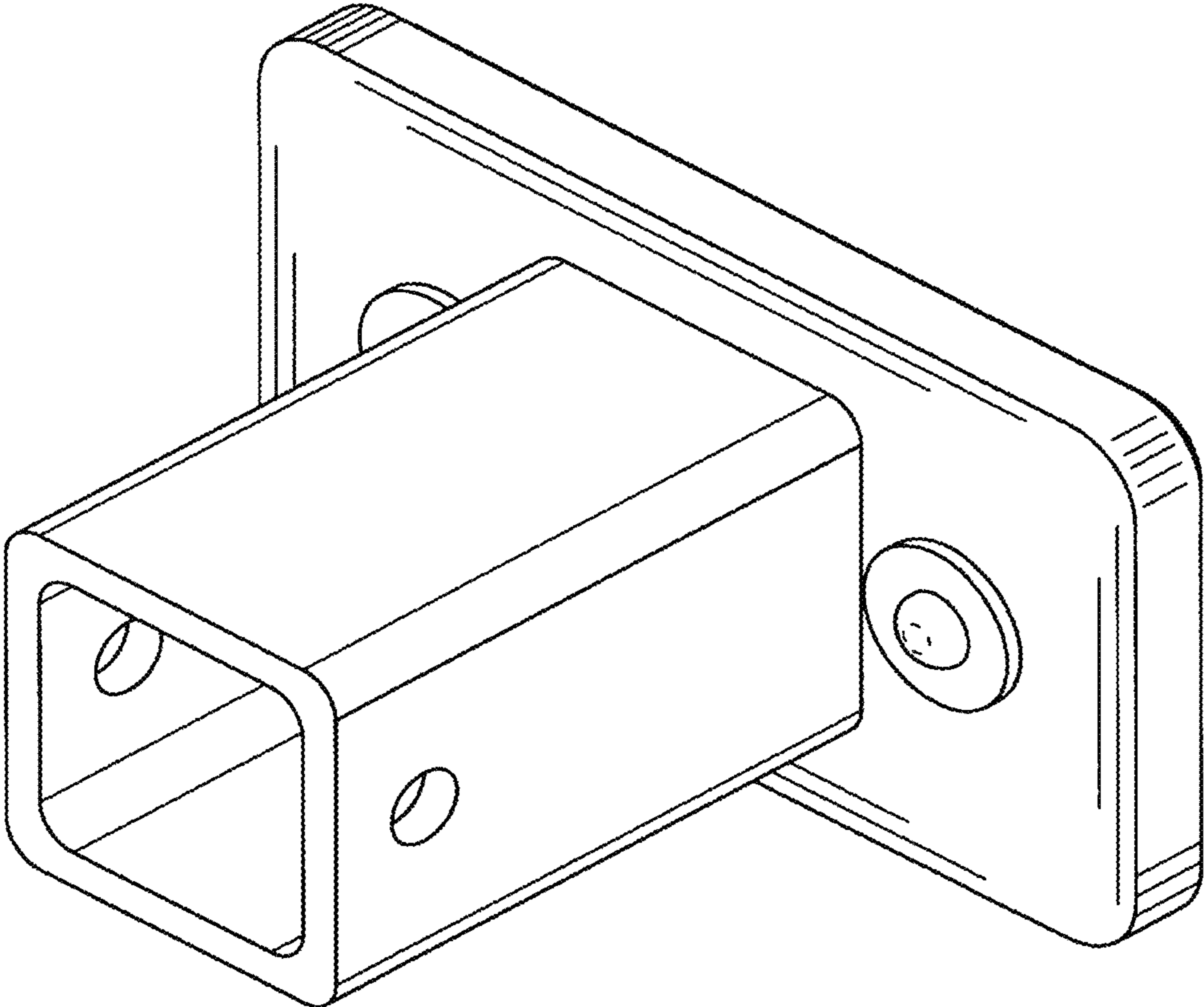


FIG. 18

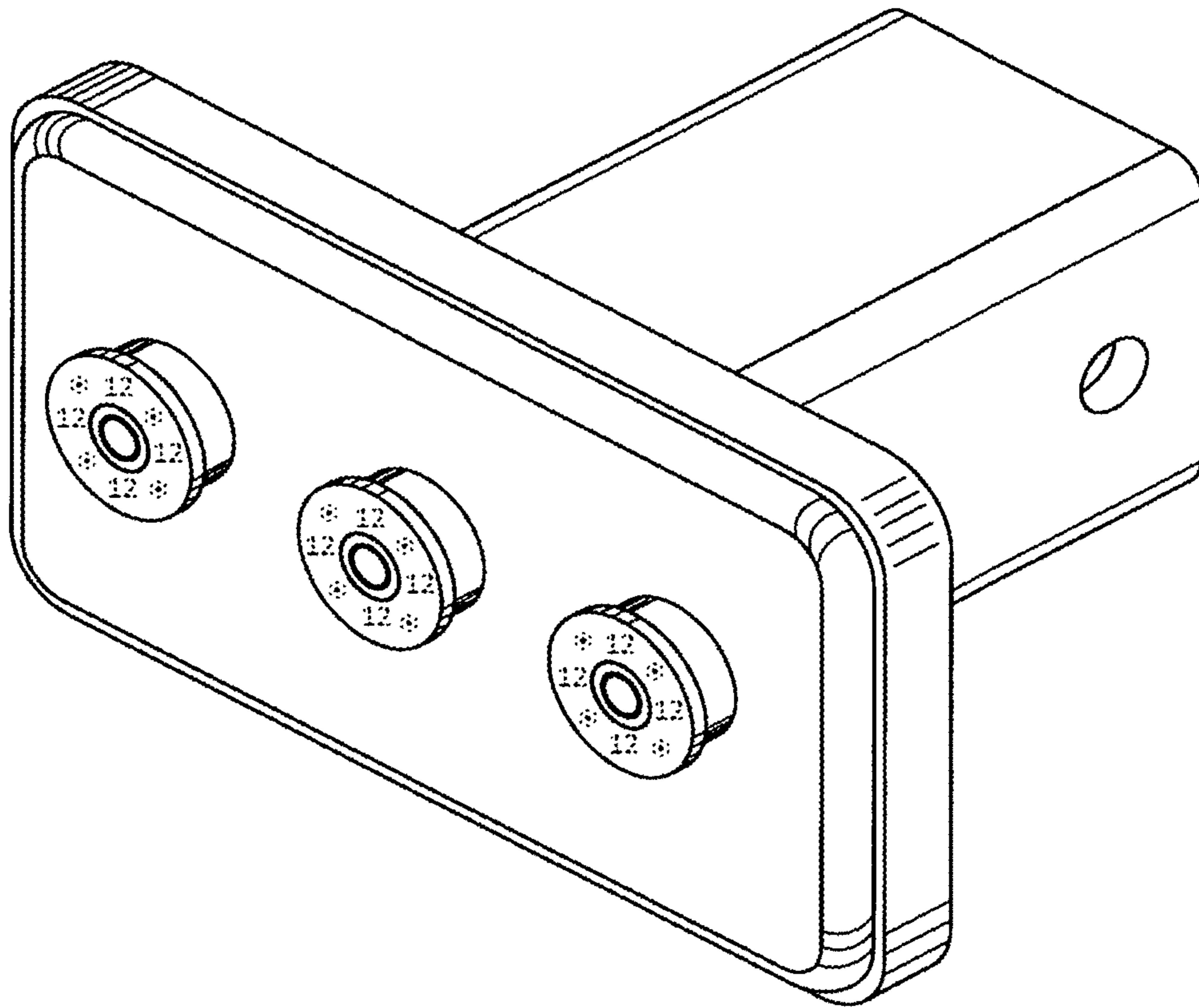


FIG. 19

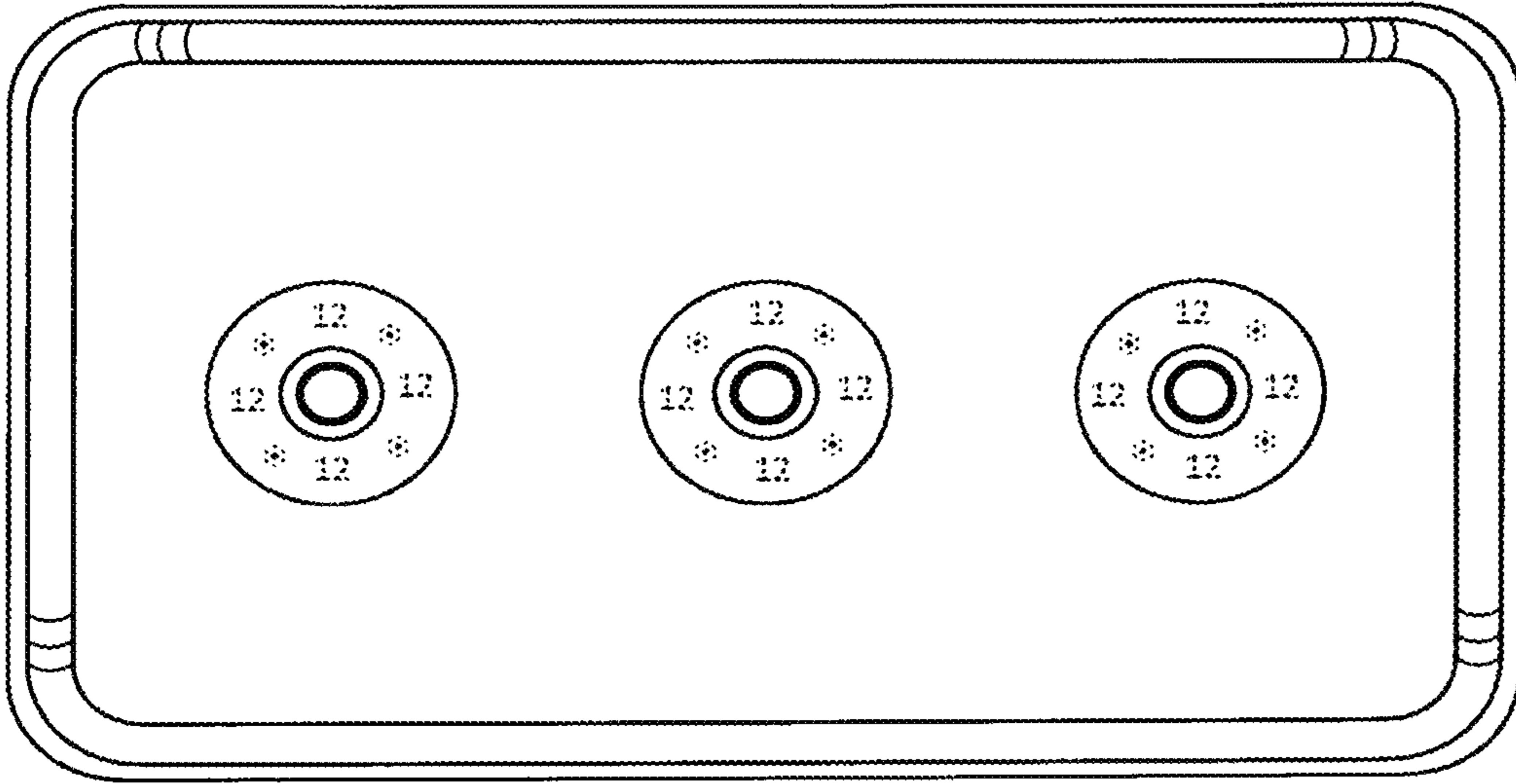


FIG. 20

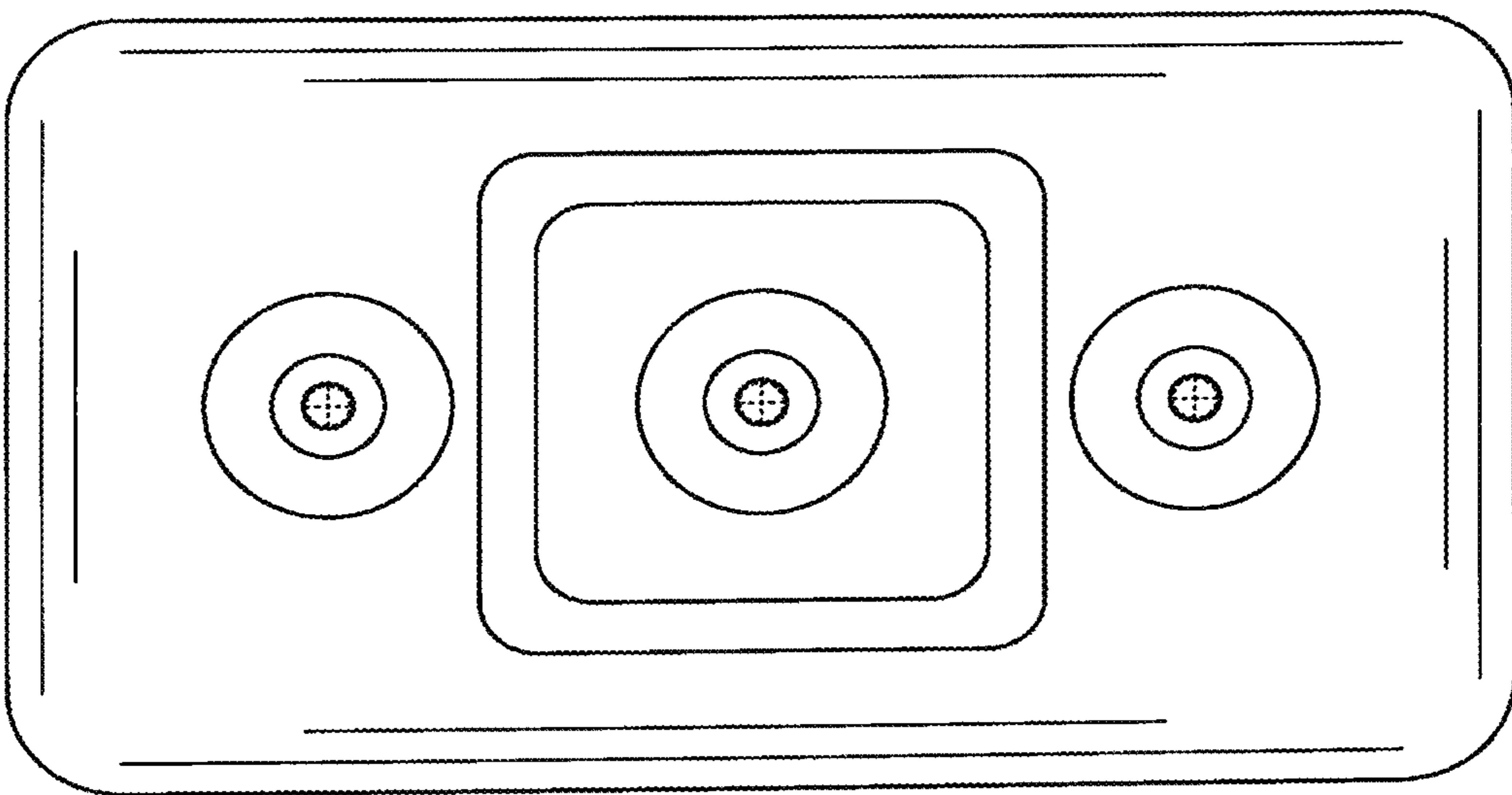


FIG. 21

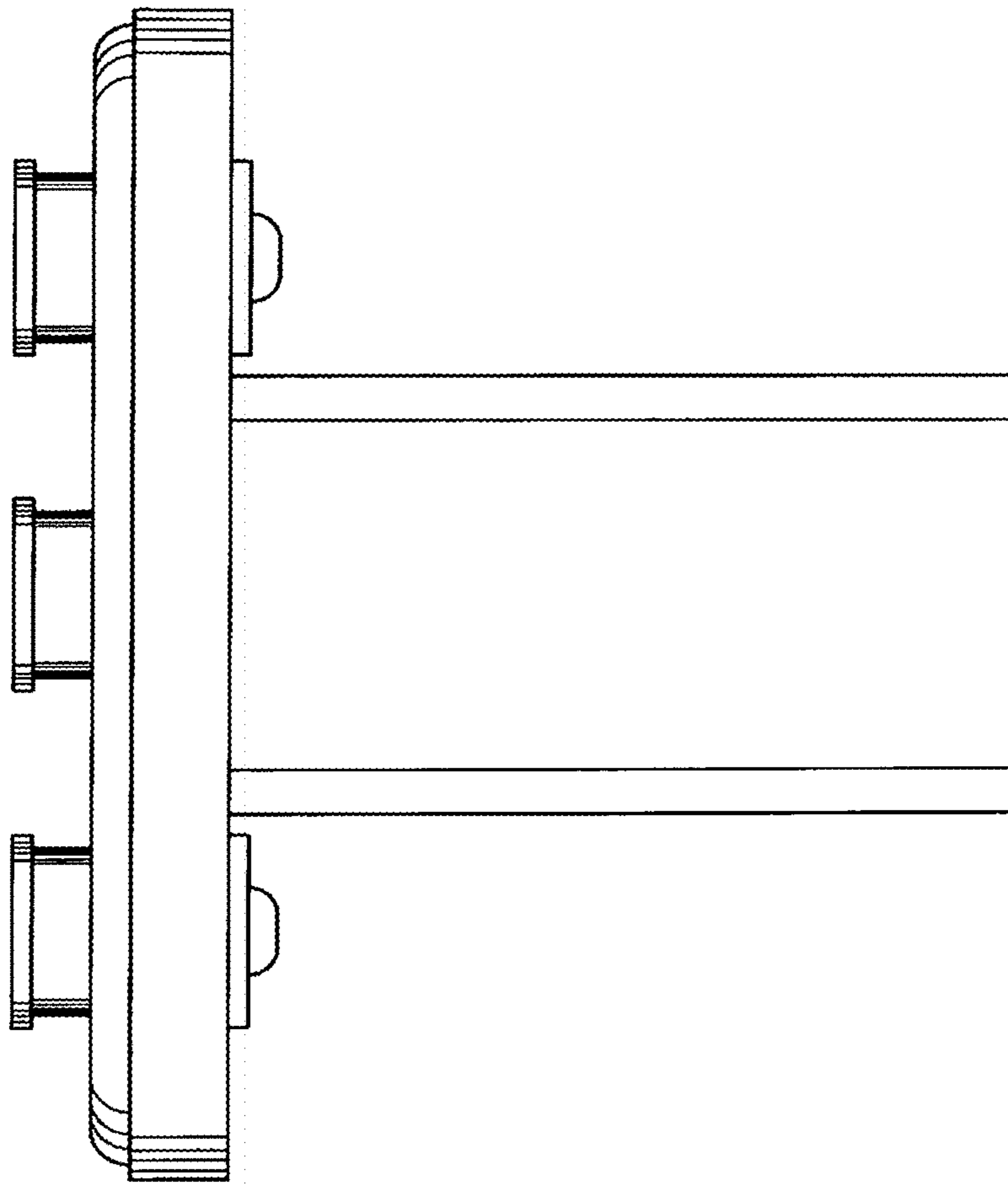


FIG. 22

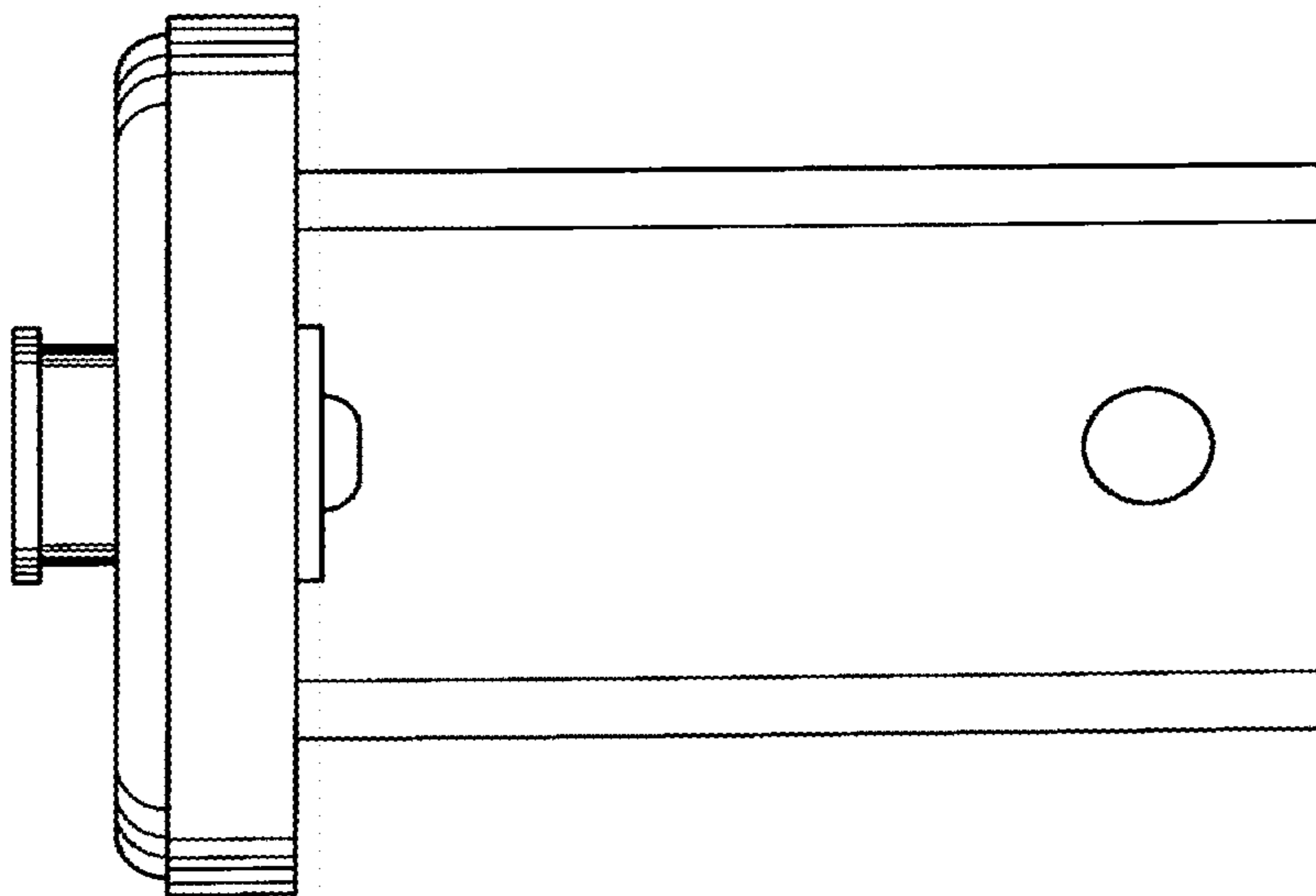


FIG. 23

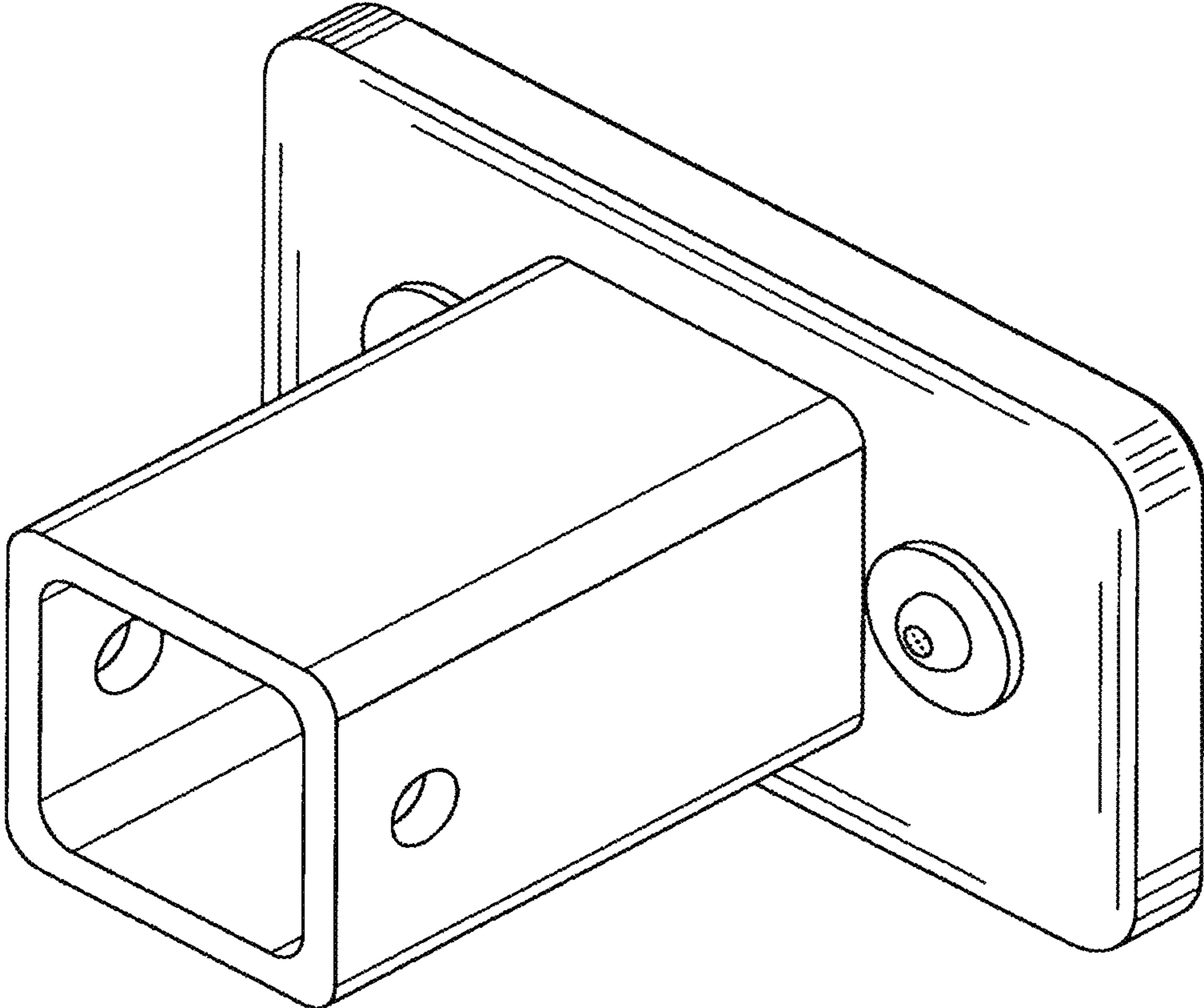


FIG. 24