



US00D890634S

(12) **United States Design Patent**
Katagiri et al.

(10) **Patent No.:** **US D890,634 S**
(45) **Date of Patent:** **** Jul. 21, 2020**

(54) **FRONT SIDE COWL FOR A MOTORCYCLE**

(71) Applicant: **HONDA MOTOR CO., LTD.**, Tokyo (JP)

(72) Inventors: **Kiyoshi Katagiri**, Wako (JP);
Tomohiko Sasaki, Wako (JP)

(73) Assignee: **HONDA MOTOR CO., LTD.**, Tokyo (JP)

(**) Term: **15 Years**

(21) Appl. No.: **29/671,605**

(22) Filed: **Nov. 28, 2018**

(30) **Foreign Application Priority Data**

May 31, 2018 (JP) 2018-011921

(51) **LOC (12) Cl.** **12-11**

(52) **U.S. Cl.**
USPC **D12/126; D12/114**

(58) **Field of Classification Search**
USPC D12/110, 114, 126, 182, 184, 186
CPC ... B62J 17/00; B62J 17/02; B62J 17/04; B62J
23/00; B62K 11/00; B62K 11/02; B62K
11/04

See application file for complete search history.

(56) **References Cited**

U.S. PATENT DOCUMENTS

D526,606 S *	8/2006	Ban	D12/182
D608,260 S *	1/2010	Toriyama	D12/186
D639,218 S *	6/2011	Katagiri	D12/186
D660,202 S *	5/2012	Petersson	D12/126
D674,323 S *	1/2013	Tokumura	D12/126
D683,275 S *	5/2013	Yanagita	D12/126
D689,411 S *	9/2013	Tsukui	D12/126
D689,800 S *	9/2013	Futamata	D12/126
D690,625 S *	10/2013	Futamata	D12/126

D690,627 S *	10/2013	Tsukui	D12/126
D694,157 S *	11/2013	Katagiri	D12/126
D695,157 S *	12/2013	Tsukui	D12/126
D696,161 S *	12/2013	Yamazaki	D12/126
D711,291 S *	8/2014	Futamata	D12/114
D712,314 S *	9/2014	Katagiri	D12/114
D712,795 S *	9/2014	Tokumura	D12/114
D726,595 S *	4/2015	Futamata	D12/114
D776,017 S *	1/2017	Takigawa	D12/114
D789,108 S *	6/2017	Marović	D6/354
2011/0233956 A1 *	9/2011	Okubo	B62J 17/00 296/78.1
2014/0084623 A1 *	3/2014	Miyamoto	B62J 25/00 296/180.1
2014/0091596 A1 *	4/2014	Maeda	B62D 25/081 296/192

(Continued)

Primary Examiner — Darlington Ly

(74) *Attorney, Agent, or Firm* — Birch, Stewart, Kolasch & Birch, LLP

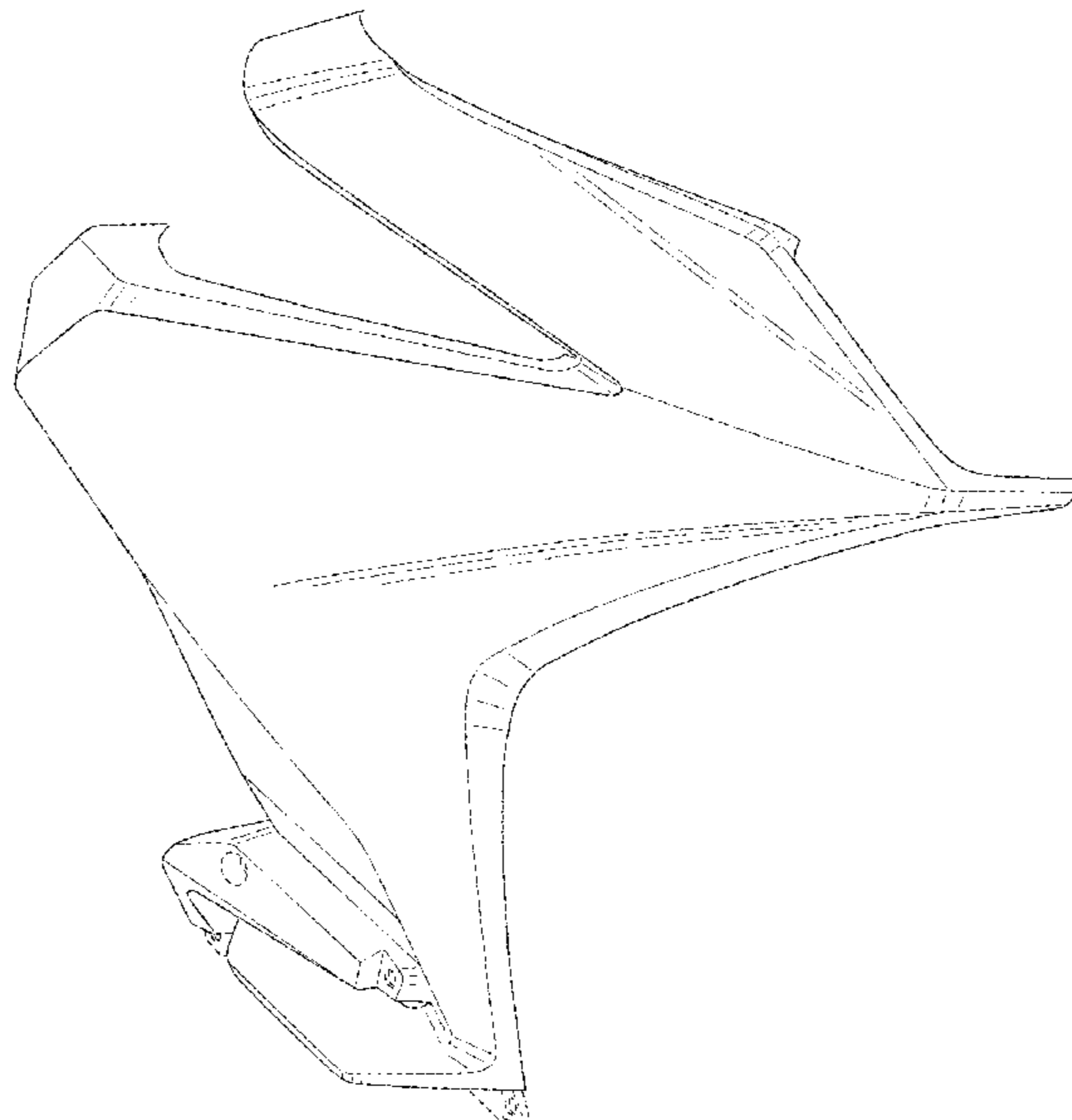
(57) **CLAIM**

The ornamental design for a front side cowl for a motorcycle, as shown and described.

DESCRIPTION

FIG. 1 is a front and right side perspective view of a front side cowl for a motorcycle showing our new design; FIG. 2 is a front elevation view thereof; FIG. 3 is a right side elevation view thereof; FIG. 4 is a left side elevation view thereof; FIG. 5 is a top plan view thereof; FIG. 6 is a bottom plan view thereof; FIG. 7 is a front and left side perspective view thereof; and, FIG. 8 is a front and left side perspective view thereof as installed on an exemplary motorcycle. The broken line showing portions of the cowl and an environmental motorcycle do not form part of the claimed design.

1 Claim, 8 Drawing Sheets



(56)

References Cited

U.S. PATENT DOCUMENTS

2014/0092613 A1* 4/2014 Maeda F02M 35/10013
362/476

* cited by examiner

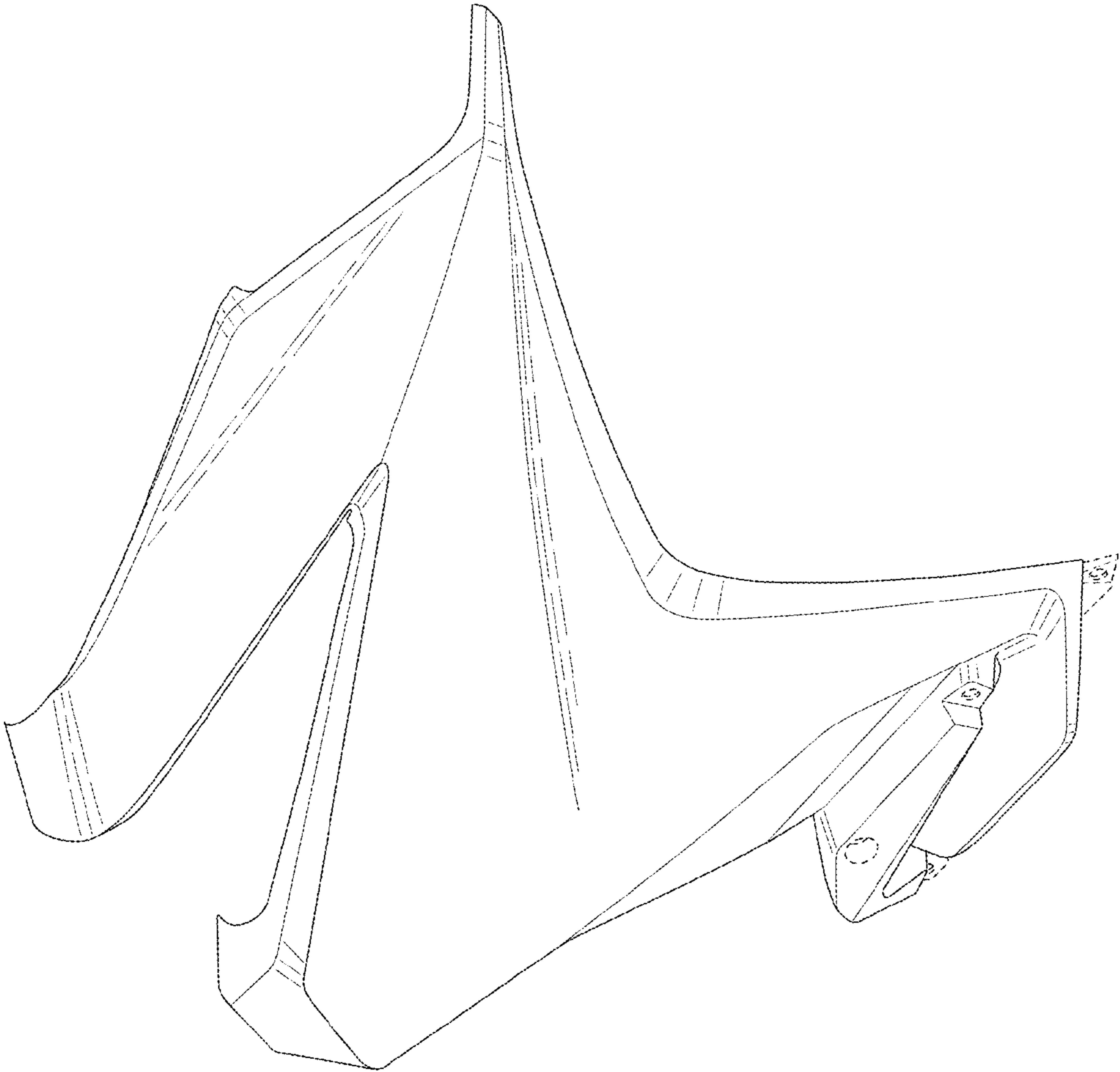


FIG.1

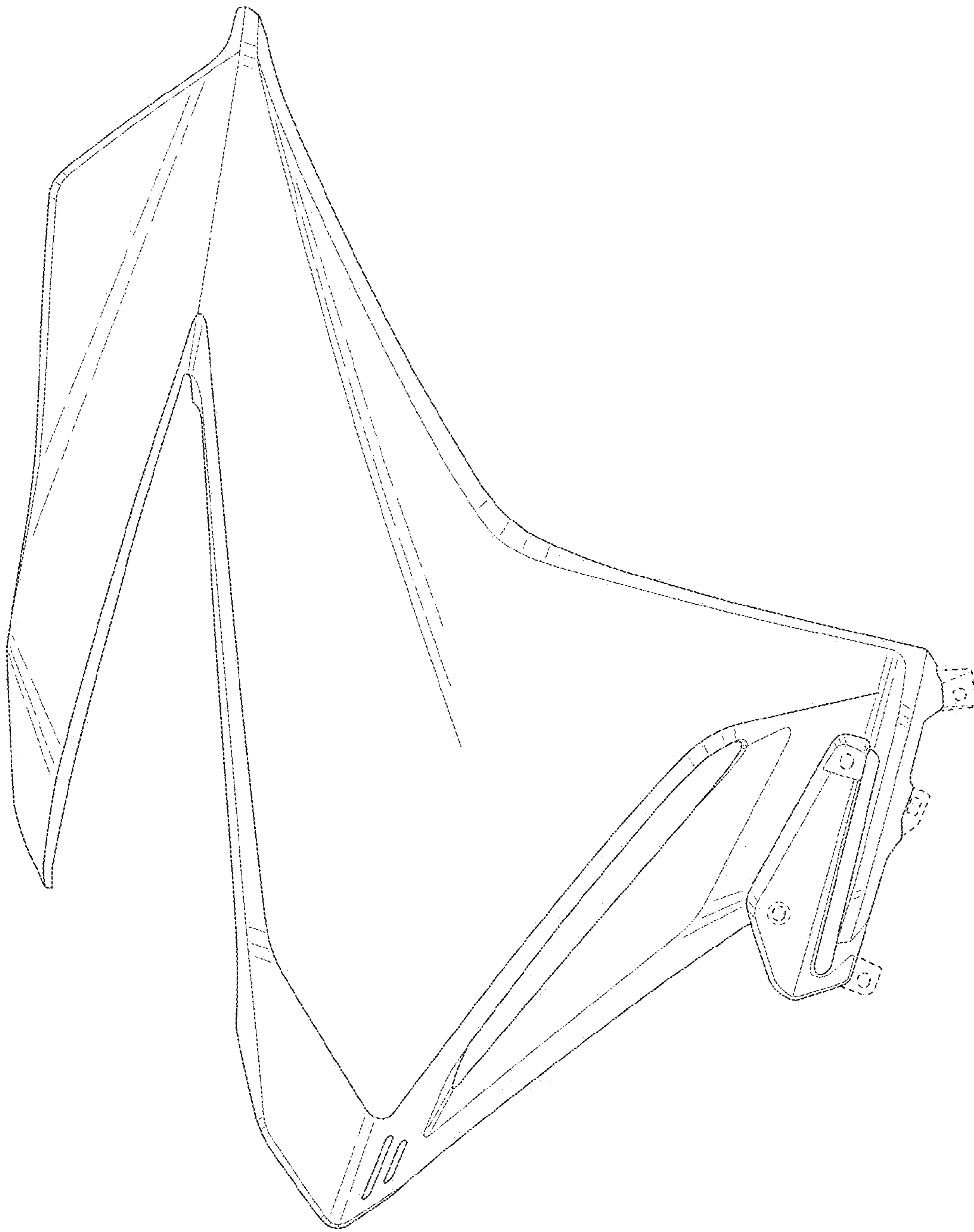


FIG.2

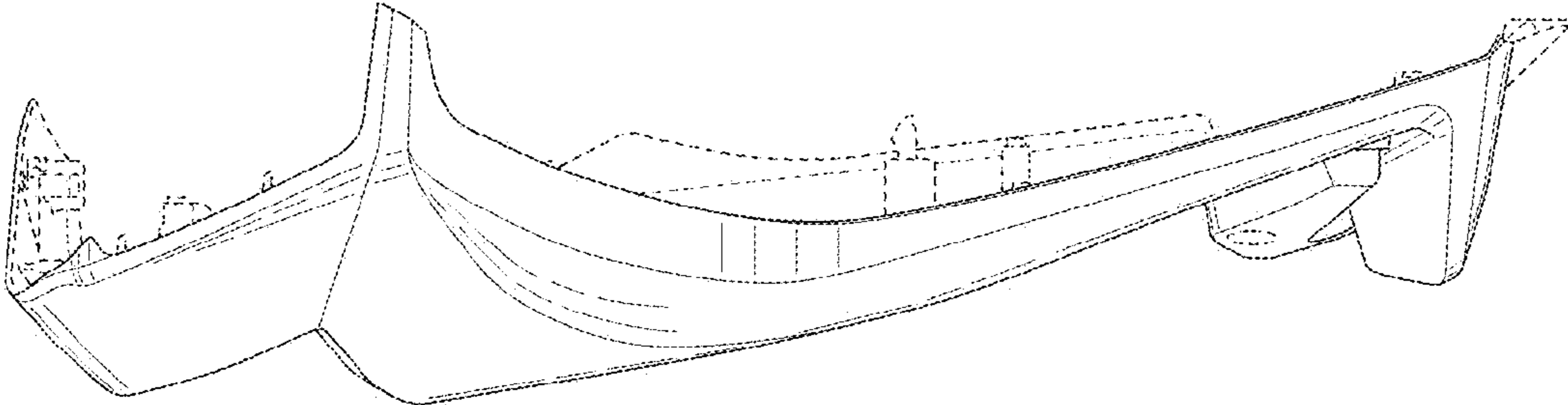


FIG.3

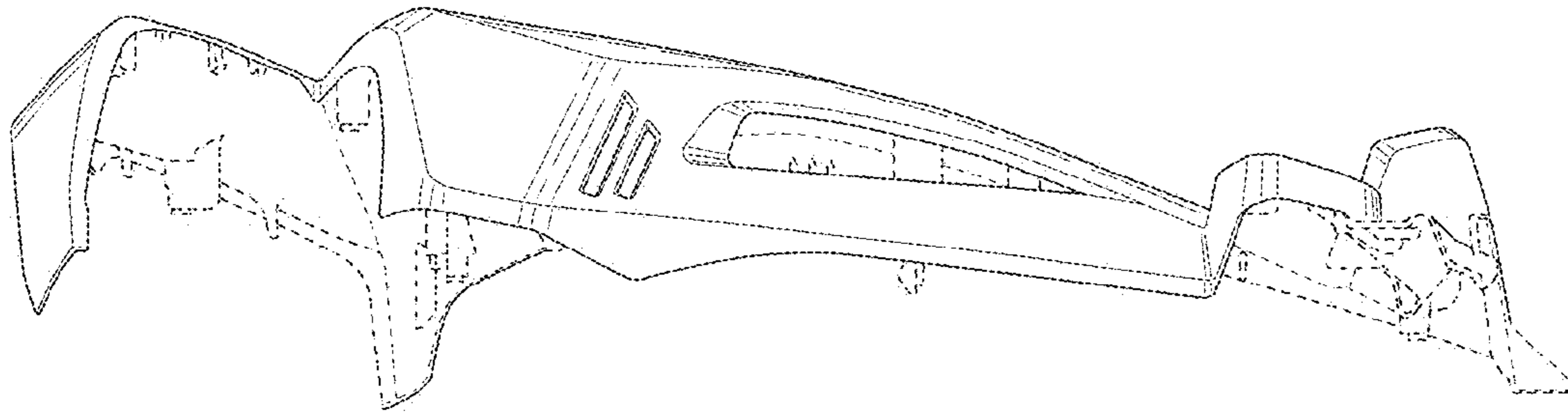


FIG.4

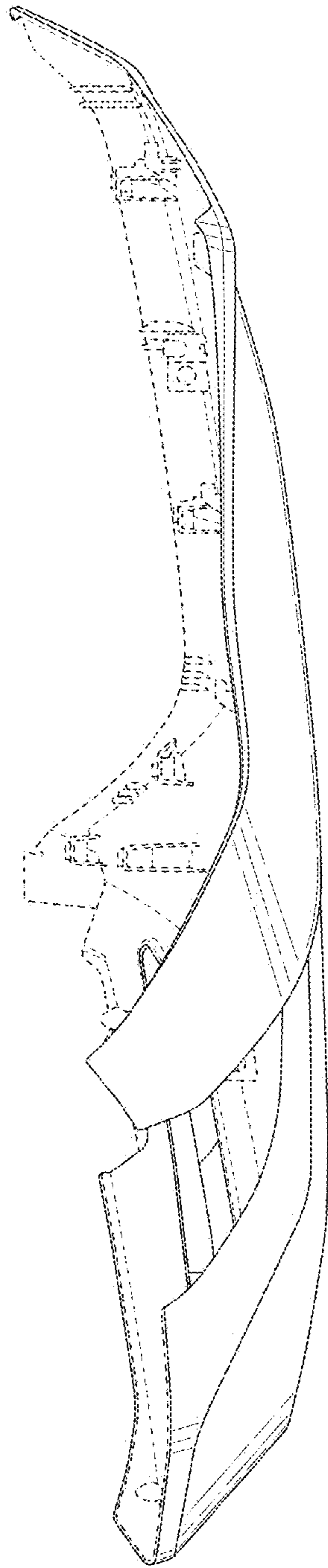


FIG.5

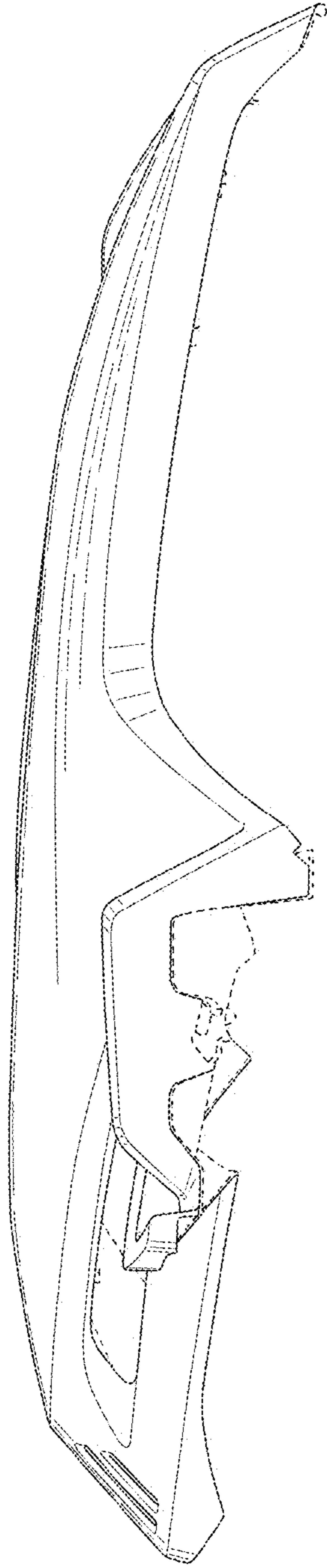


FIG.6

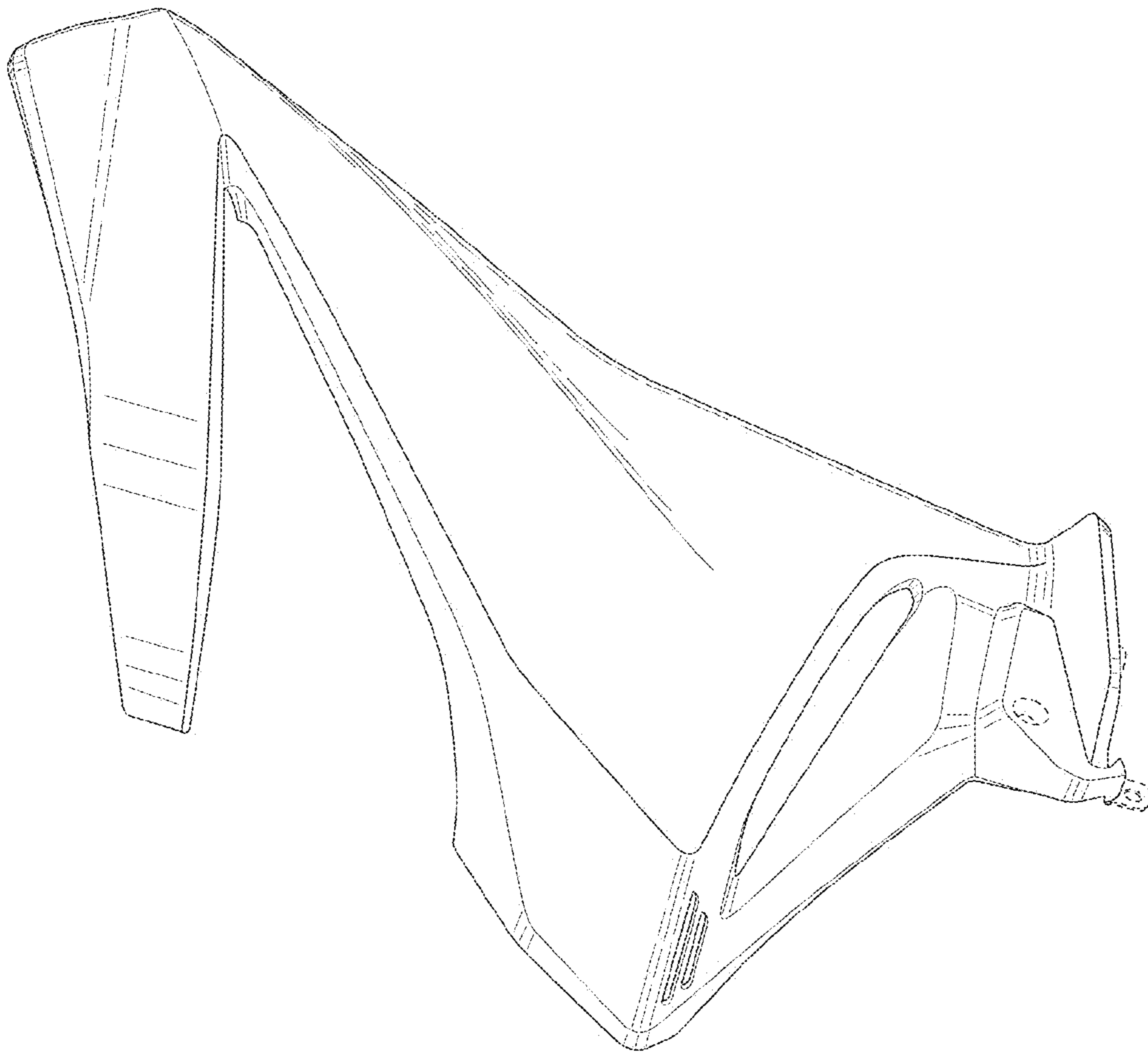


FIG.7

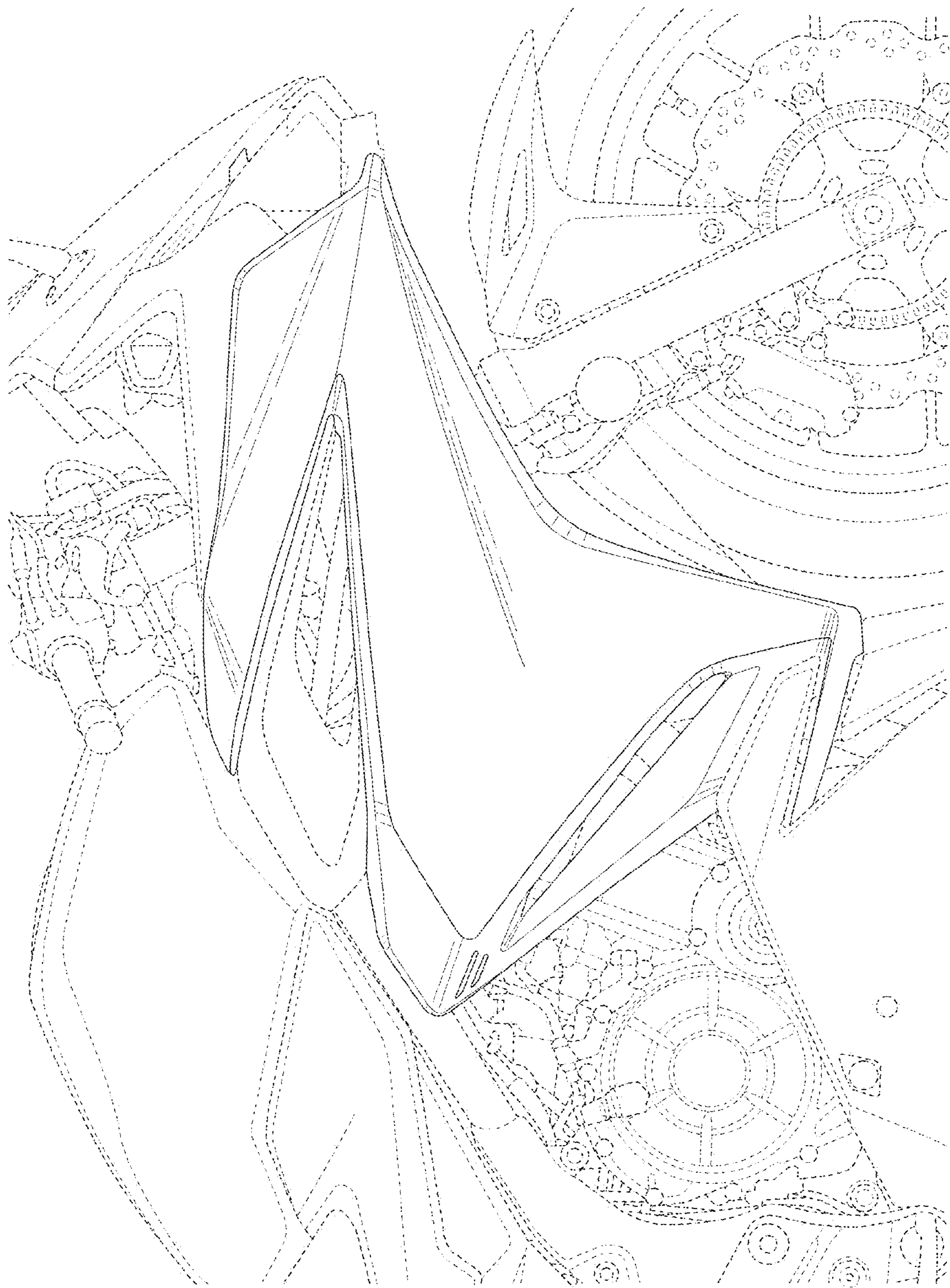


FIG.8