



US00D890633S

(12) **United States Design Patent**  
**Zhou et al.**

(10) **Patent No.:** **US D890,633 S**

(45) **Date of Patent:** **\*\* Jul. 21, 2020**

- (54) **ELECTRIC BICYCLE**
- (71) Applicant: **Foshan Zenith Sports Co., Ltd**,  
Foshan (CN)
- (72) Inventors: **Kunhua Zhou**, Foshan (CN); **Yu Zhou**,  
Foshan (CN)
- (\*\*) Term: **15 Years**

D490,026 S *	5/2004	Irbacher	.....	D12/111
D498,438 S *	11/2004	Ying	.....	D12/111
D512,664 S *	12/2005	Schreier	.....	D12/111
D696,983 S *	1/2014	Bisges	.....	D12/111
D735,619 S *	8/2015	Lawson	.....	D12/111
D805,001 S *	12/2017	Chen	.....	D12/111
D807,232 S *	1/2018	Bailie	.....	D12/111
2002/0084620 A1 *	7/2002	Yu	.....	B62K 3/04 280/283

- (21) Appl. No.: **29/672,181**
- (22) Filed: **Dec. 4, 2018**
- (51) **LOC (12) Cl.** ..... **12-11**
- (52) **U.S. Cl.**  
USPC ..... **D12/111**
- (58) **Field of Classification Search**  
USPC ..... D12/111, 107, 114, 117, 126, 127, 159;  
D21/419, 424, 427, 432  
CPC . B62K 3/00; B62K 3/005; B62K 3/02; B62K  
3/04; B62K 11/00; B62K 11/02; B62K  
11/10; B62K 11/14; B62K 21/12; B62K  
21/16; B62K 21/26; B62K 21/02; B62K  
21/04; B62K 21/06; B62K 9/02; B62K  
15/006; B62K 2201/04; B62K 19/02;  
B62K 19/08; B62K 19/16; B62K 25/04;  
B62K 25/08; B62K 25/16; B62K 25/30;  
B62K 25/02; B62K 25/10  
See application file for complete search history.

**FOREIGN PATENT DOCUMENTS**

CN	201830152537	*	4/2018
JP	D2017-10356	*	5/2017
JP	D2017-10357	*	5/2017

\* cited by examiner

*Primary Examiner* — Sheryl Lane

*Assistant Examiner* — Samantha N Wood

(74) *Attorney, Agent, or Firm* — Prakash Nama; Global IP Services, PLLC

(57) **CLAIM**

The ornamental design for an electric bicycle, as shown.

**DESCRIPTION**

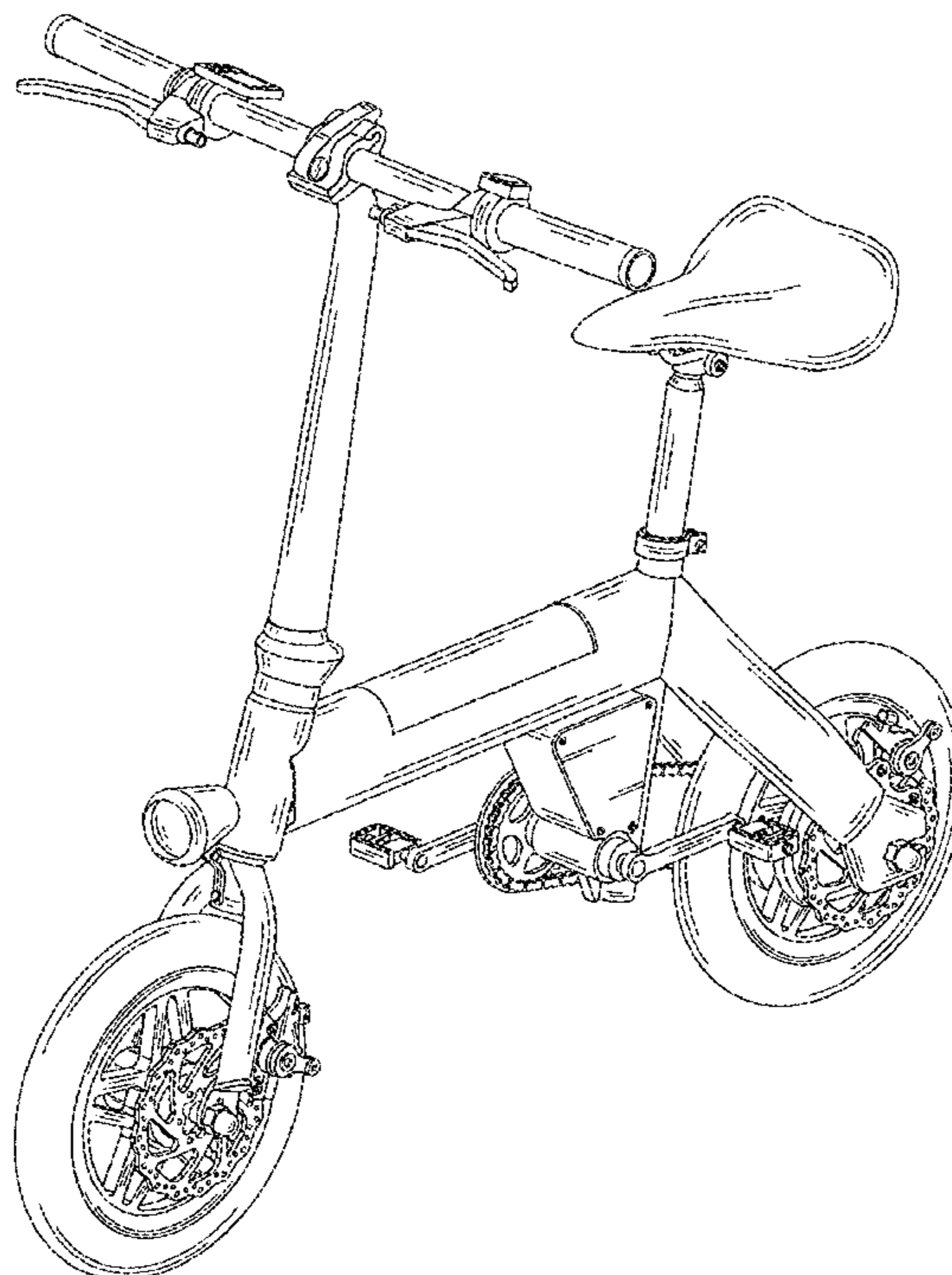
FIG. 1 is a perspective view of an electric bicycle showing our new design;  
 FIG. 2 is a front elevational view thereof;  
 FIG. 3 is a rear elevational view thereof;  
 FIG. 4 is a left side view thereof;  
 FIG. 5 is a right side view thereof;  
 FIG. 6 is a top plan view thereof;  
 FIG. 7 is a bottom plan view thereof;  
 FIG. 8 is a second perspective view thereof; and,  
 FIG. 9 is a third perspective view thereof.

**1 Claim, 9 Drawing Sheets**

(56) **References Cited**

**U.S. PATENT DOCUMENTS**

4,634,138 A *	1/1987	Fryer	.....	B62K 15/008 280/278
D487,234 S *	3/2004	Chen	.....	D12/111



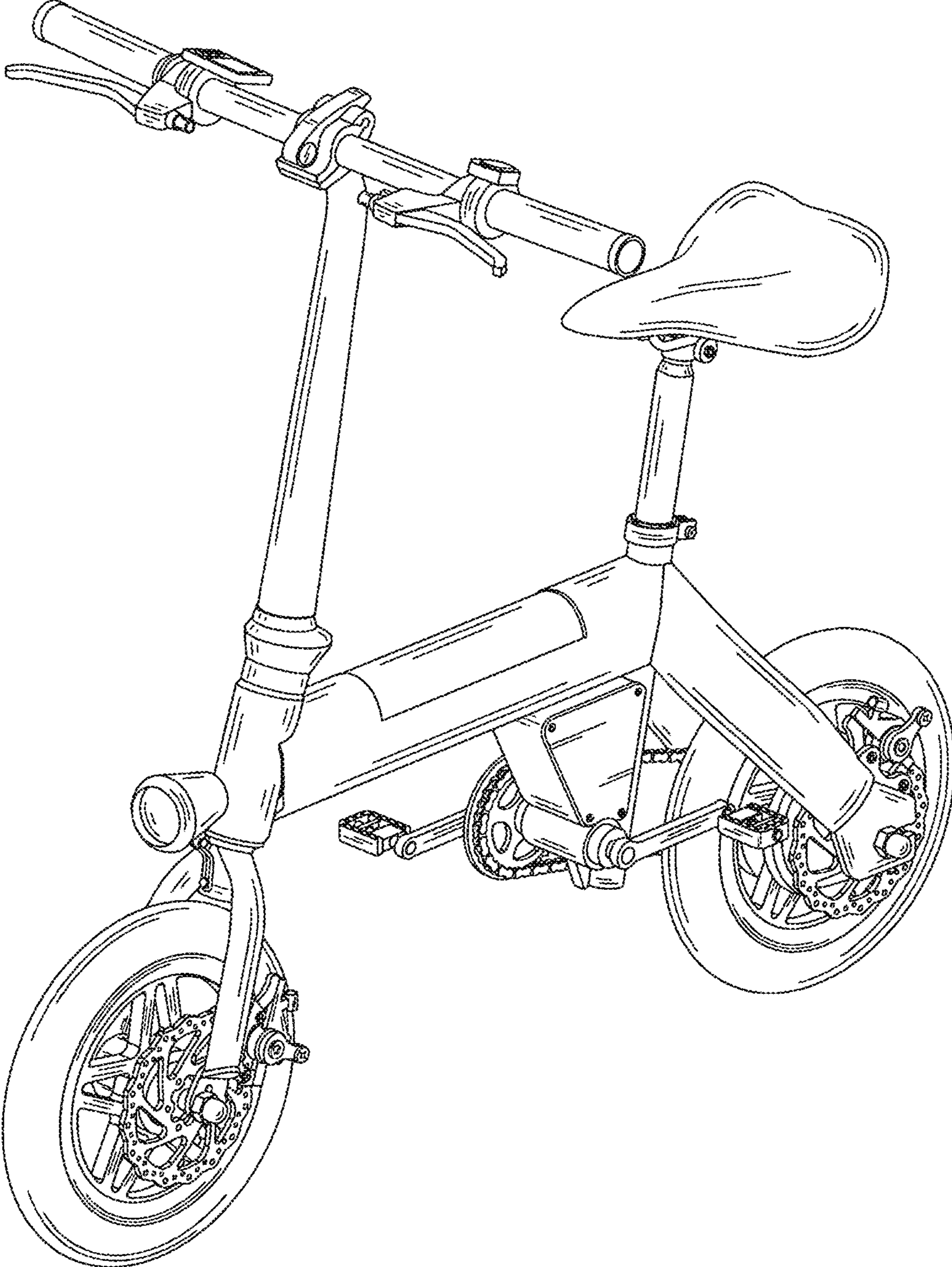


FIG.1

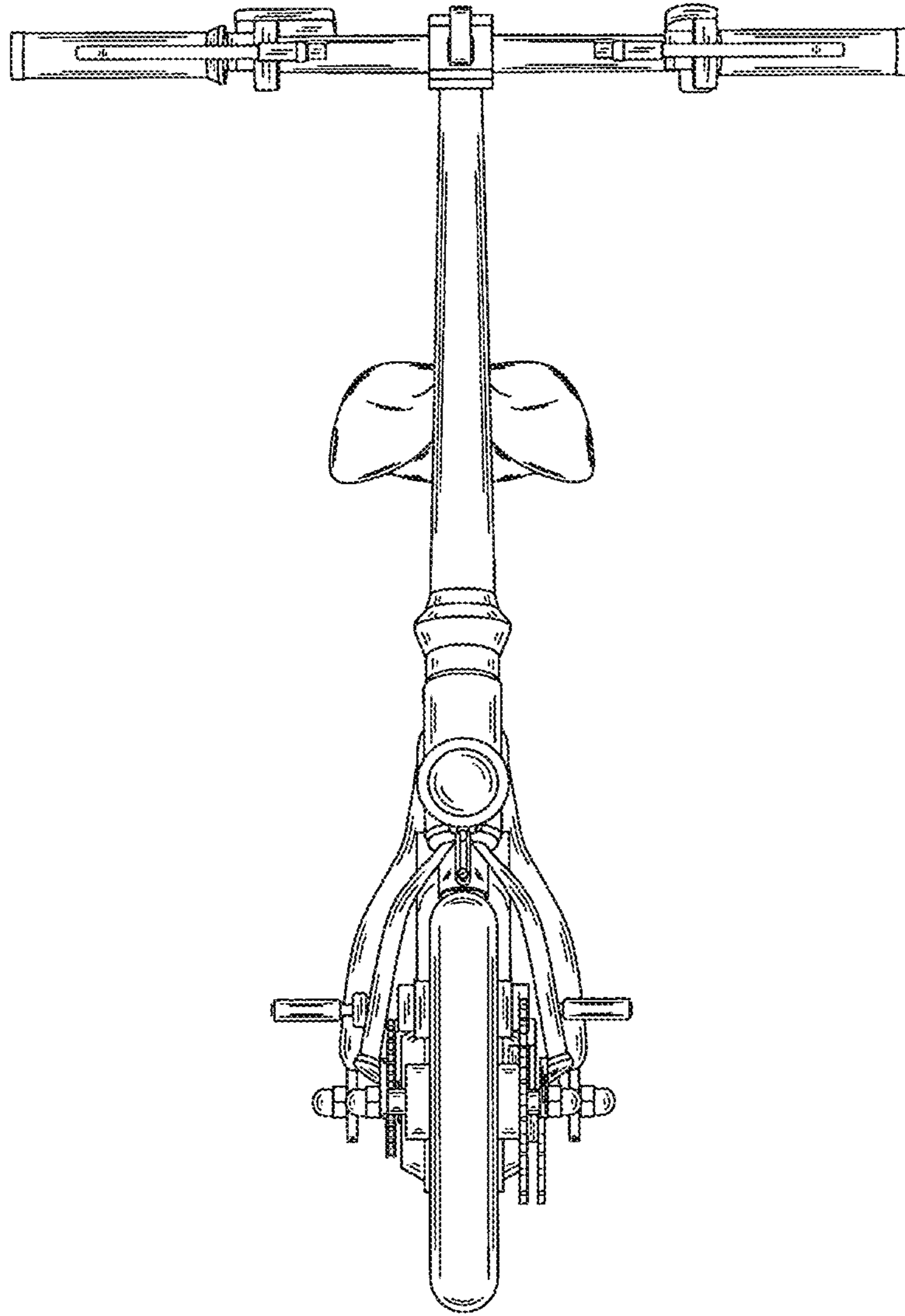


FIG.2

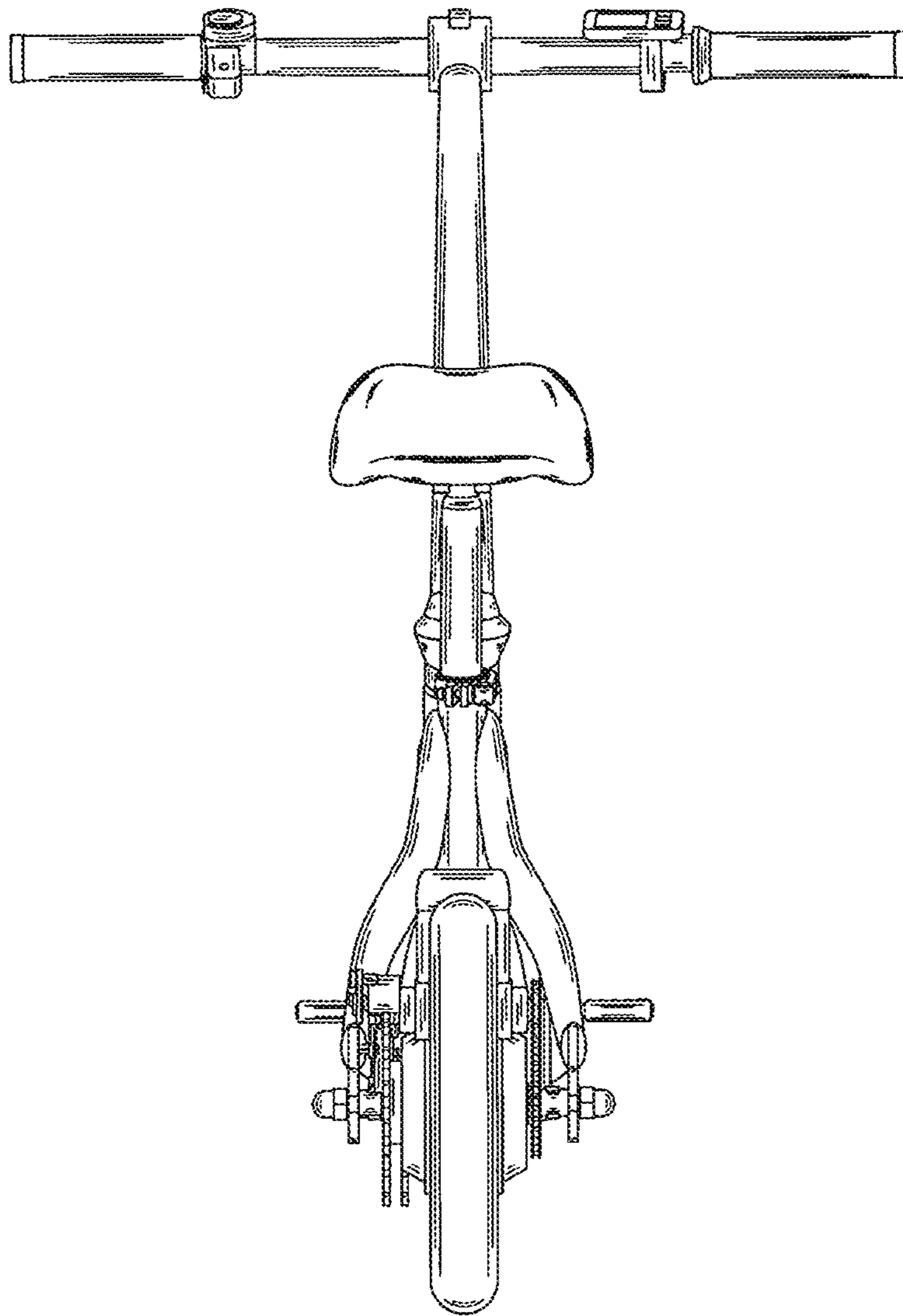


FIG.3

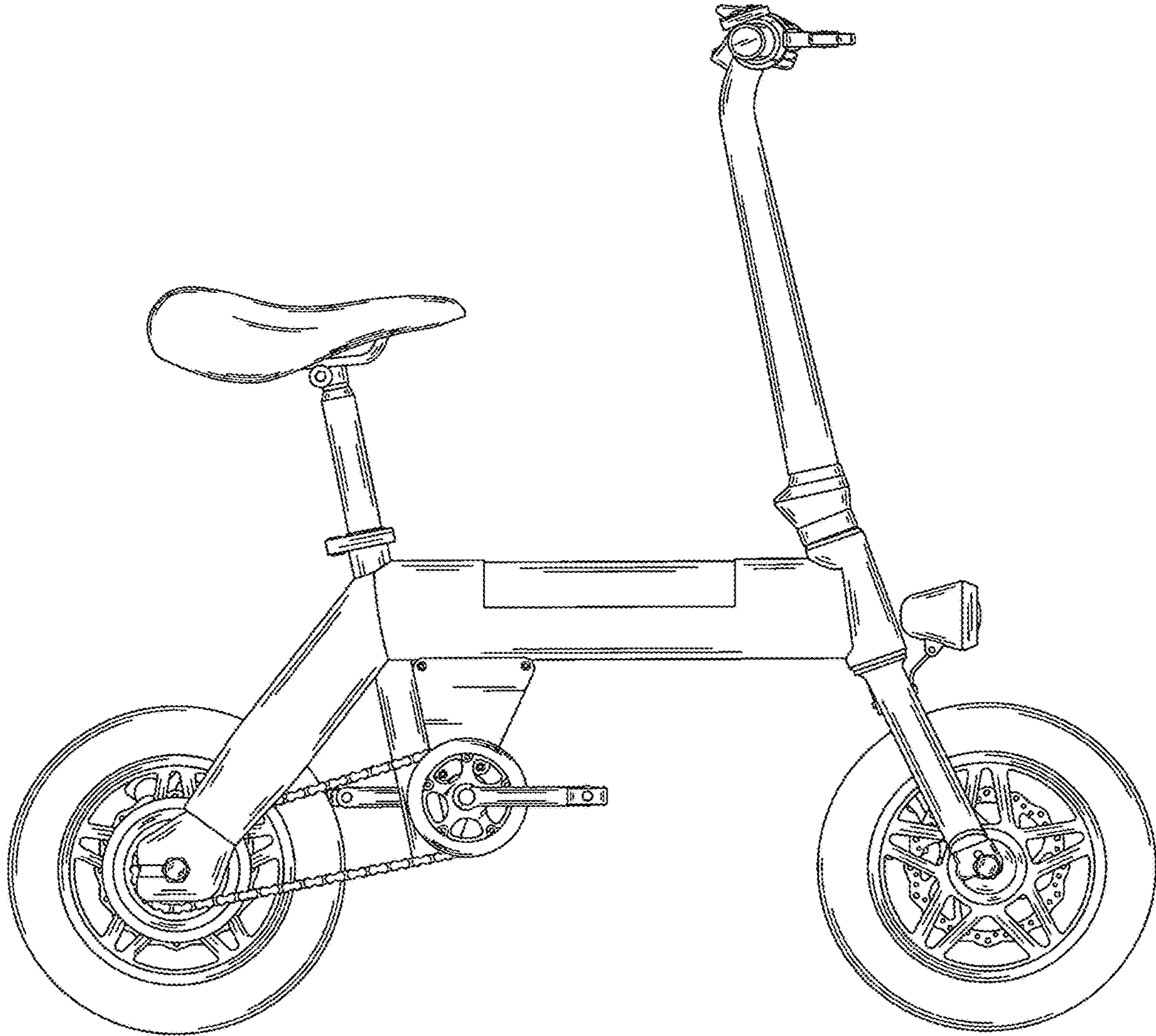


FIG.4

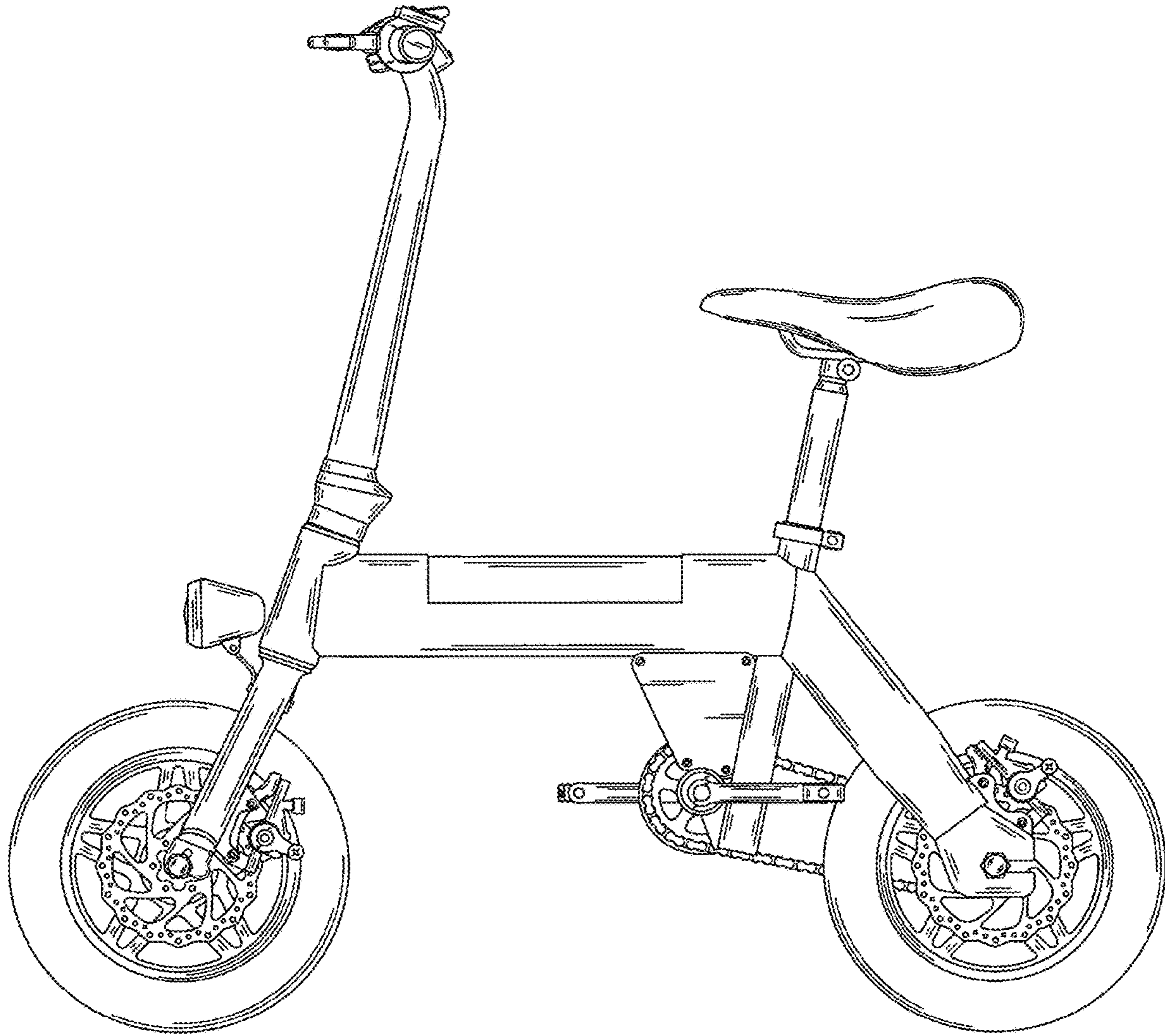


FIG. 5

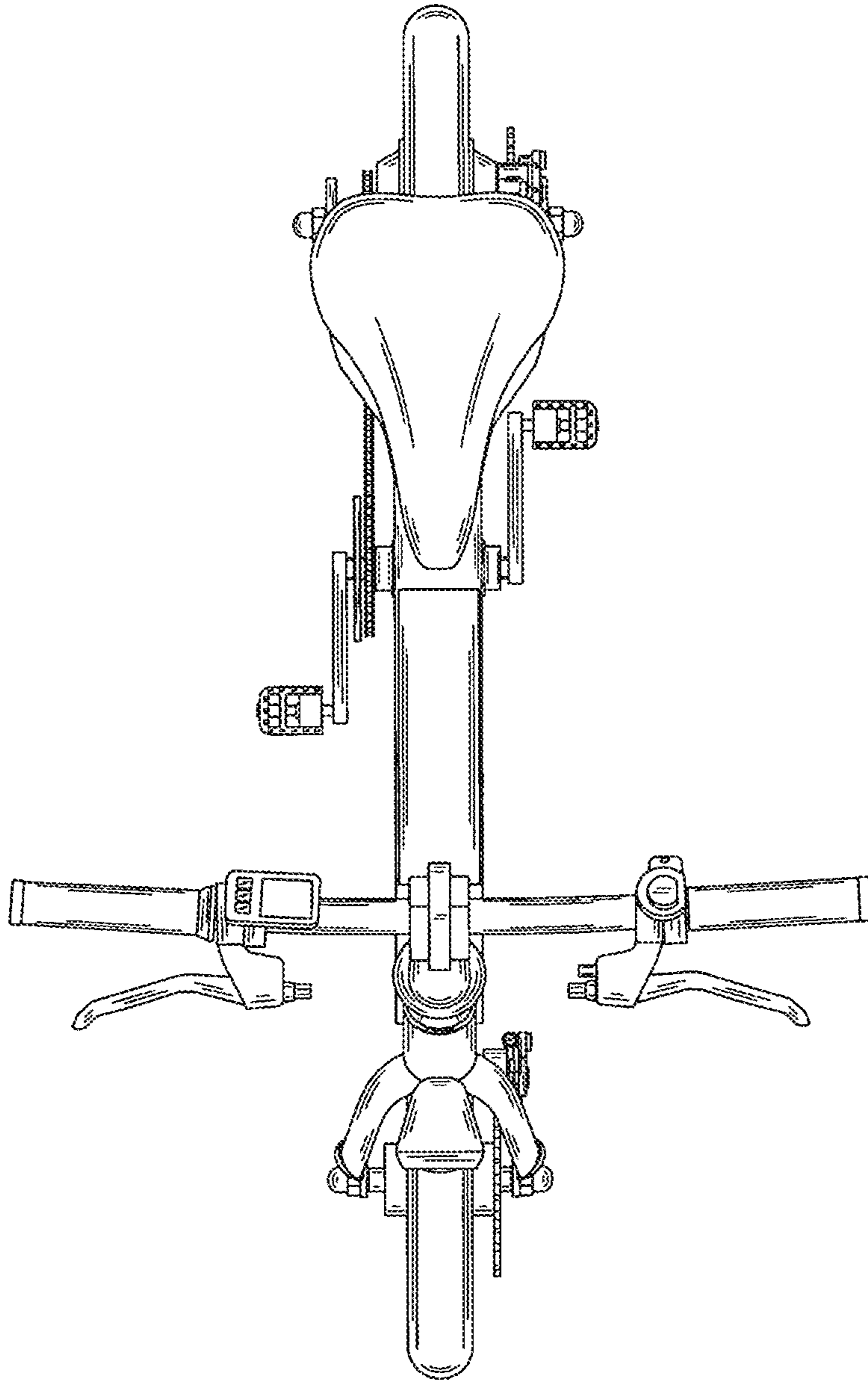


FIG.6

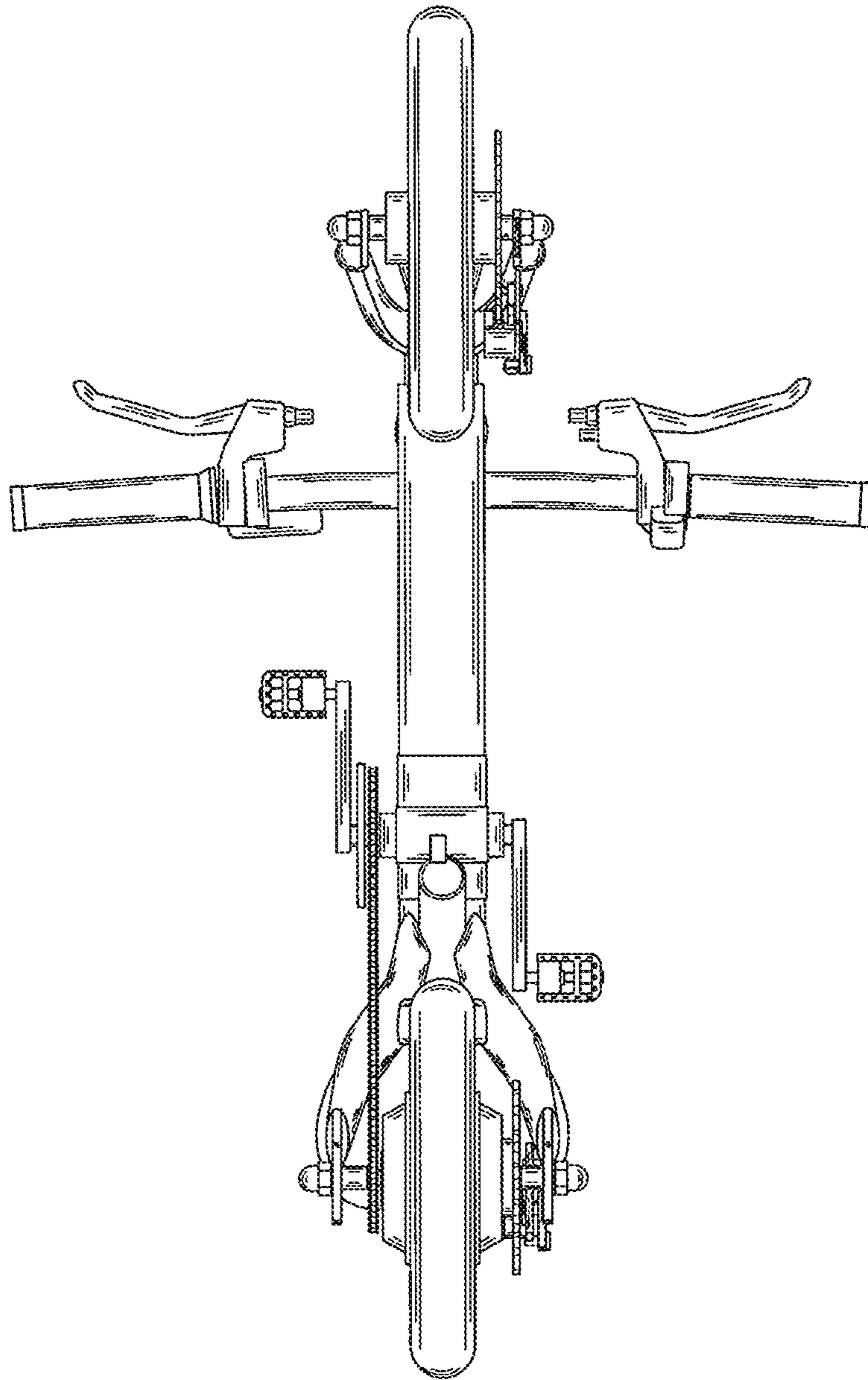


FIG.7



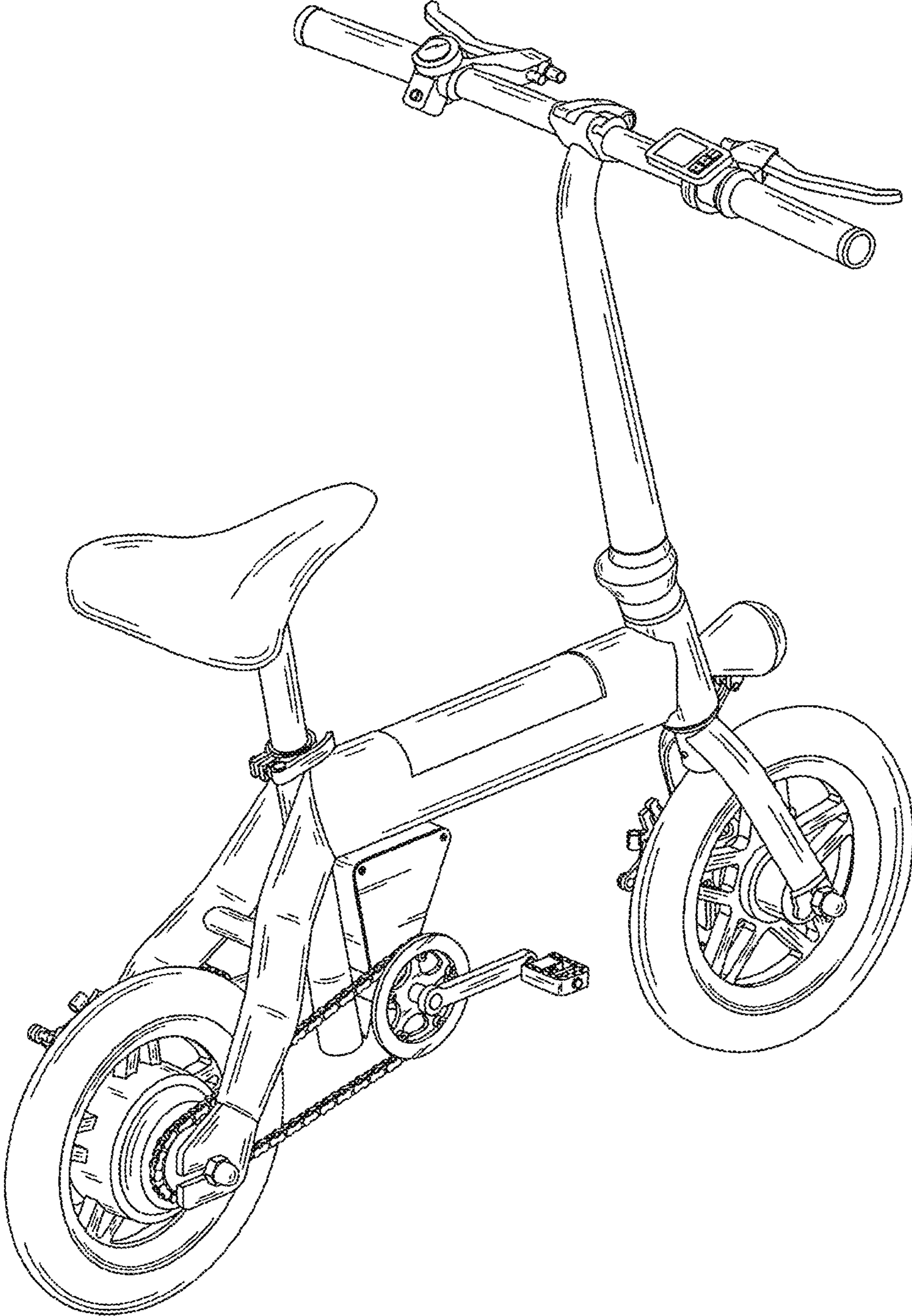


FIG. 8

