



US00D890631S

(12) **United States Design Patent**
Quach

(10) **Patent No.:** **US D890,631 S**

(45) **Date of Patent:** **** Jul. 21, 2020**

(54) **AUTOMOBILE AND/OR TOY REPLICA THEREOF**

(71) Applicant: **Nissan Motor Co., Ltd.**, Yokohama, Kanagawa (JP)

(72) Inventor: **Marcus Quach**, San Diego, CA (US)

(73) Assignee: **Nissan Motor Co., Ltd.**, Yokohama (JP)

(**) Term: **15 Years**

(21) Appl. No.: **29/673,997**

(22) Filed: **Dec. 19, 2018**

(30) **Foreign Application Priority Data**

Jun. 28, 2018 (JP) 2018-014285

(51) **LOC (12) Cl.** **12-08**

(52) **U.S. Cl.**
USPC **D12/88**

(58) **Field of Classification Search**
USPC D12/86, 90-92, 88; D21/424, 433, 434, D21/533; 296/181.1-181.5, 183.1
CPC B62D 25/00; B62D 25/06; B62D 33/00; B62D 35/00

See application file for complete search history.

(56) **References Cited**

U.S. PATENT DOCUMENTS

D710,762 S * 8/2014 Mays D12/92
D714,690 S * 10/2014 Mays D12/92

D724,494 S * 3/2015 Kaoud D12/92
D741,228 S * 10/2015 Curic D12/92
D741,229 S * 10/2015 Curic D12/92
D814,976 S * 4/2018 Behmer D12/92
D821,921 S * 7/2018 Scully D12/92
D821,922 S * 7/2018 Behmer D12/92
D835,005 S * 12/2018 Behmer D12/92

* cited by examiner

Primary Examiner — Melody N Brown

(74) *Attorney, Agent, or Firm* — Global IP Counselors, LLP

(57) **CLAIM**

The ornamental design for an automobile and/or toy replica thereof, as shown and described.

DESCRIPTION

FIG. 1 is a front elevational view of an automobile and/or toy replica thereof showing my new design; FIG. 2 is a top plan view thereof; FIG. 3 is a left side elevational view thereof; FIG. 4 is a right side elevational view thereof; FIG. 5 is a first side perspective view thereof; FIG. 6 is a front and left side perspective view thereof; and, FIG. 7 is a rear and right side perspective view thereof. The hidden surfaces from the bottom, obscured by a rear bumper, the wheels, and inside the wheel wells, but visible in the figures form no part of the claimed design. The broken line showing on the automobile and/or toy replica thereof is for the purpose of illustrating environmental structure and forms no part of the claimed design.

1 Claim, 7 Drawing Sheets

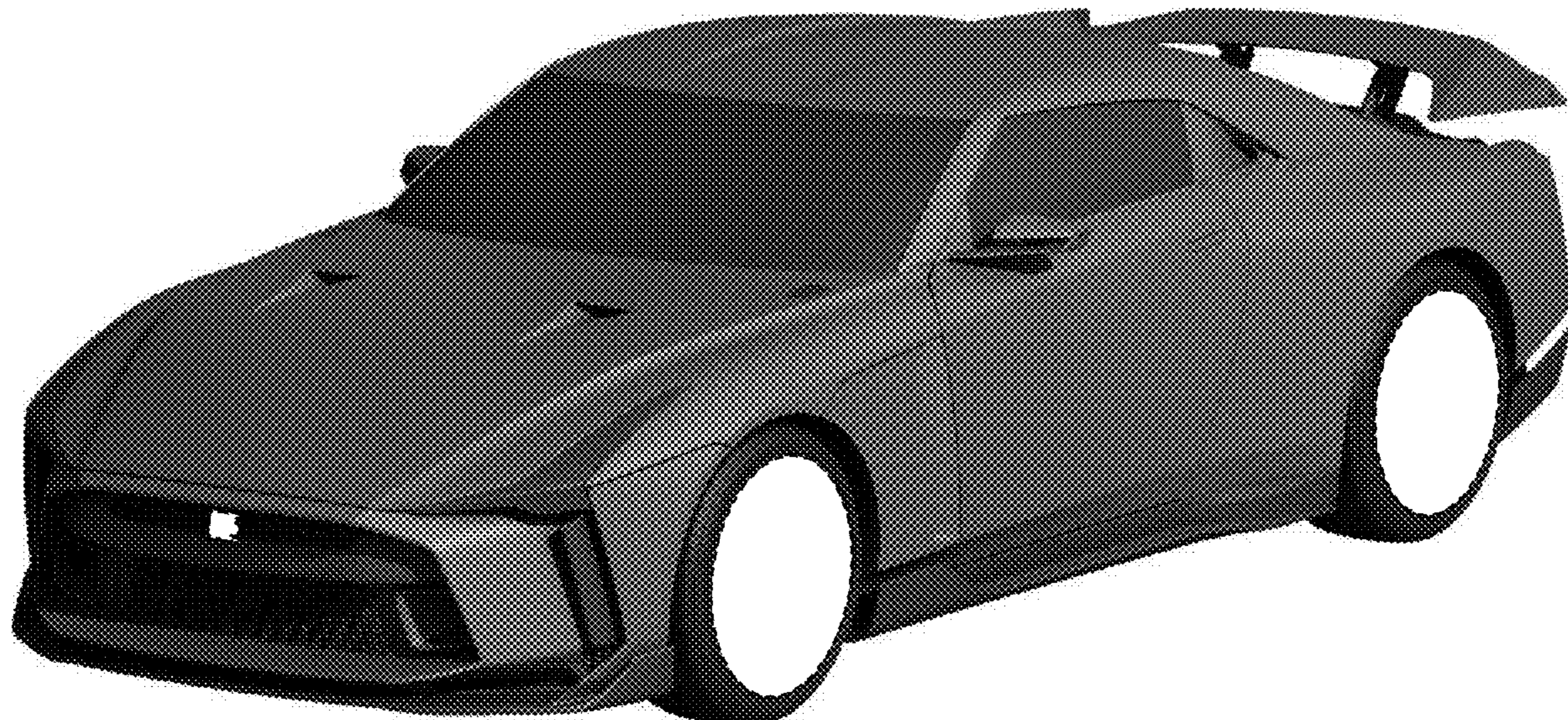




FIG. 1

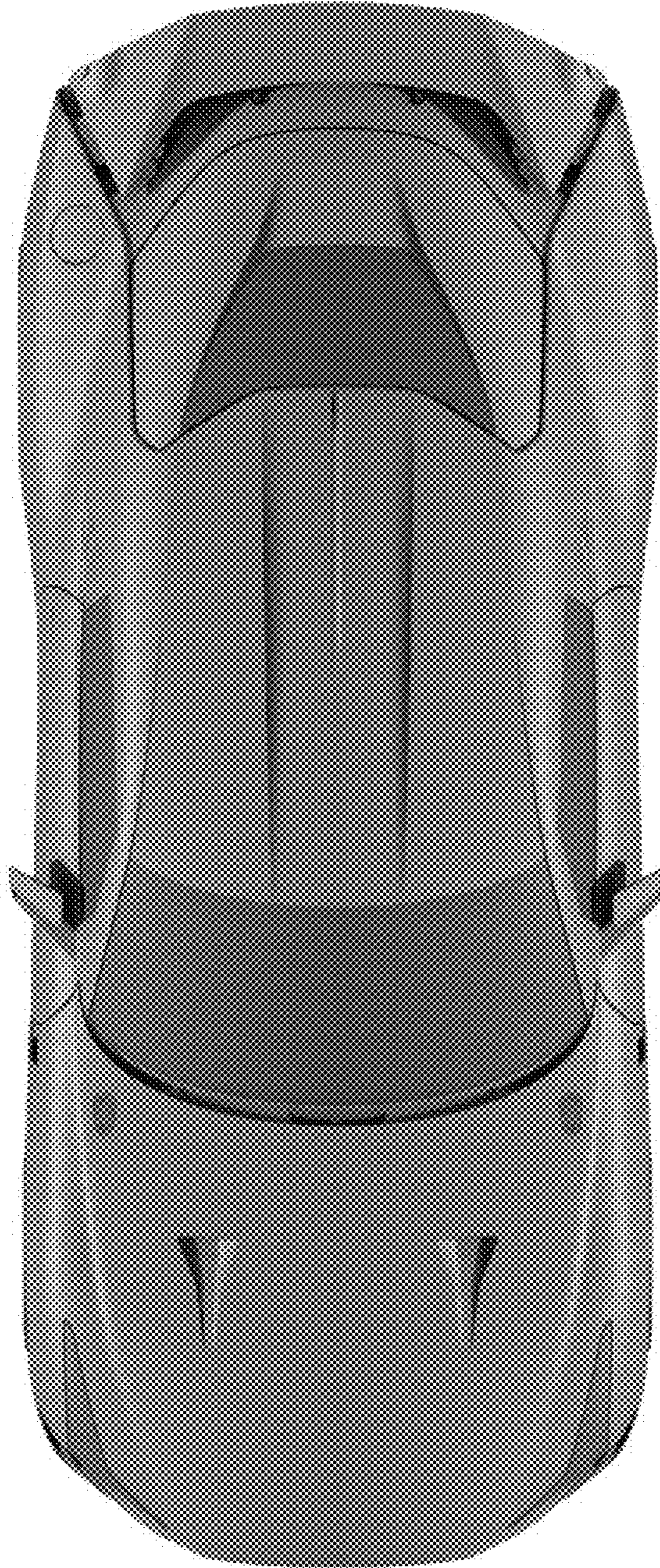


FIG. 2

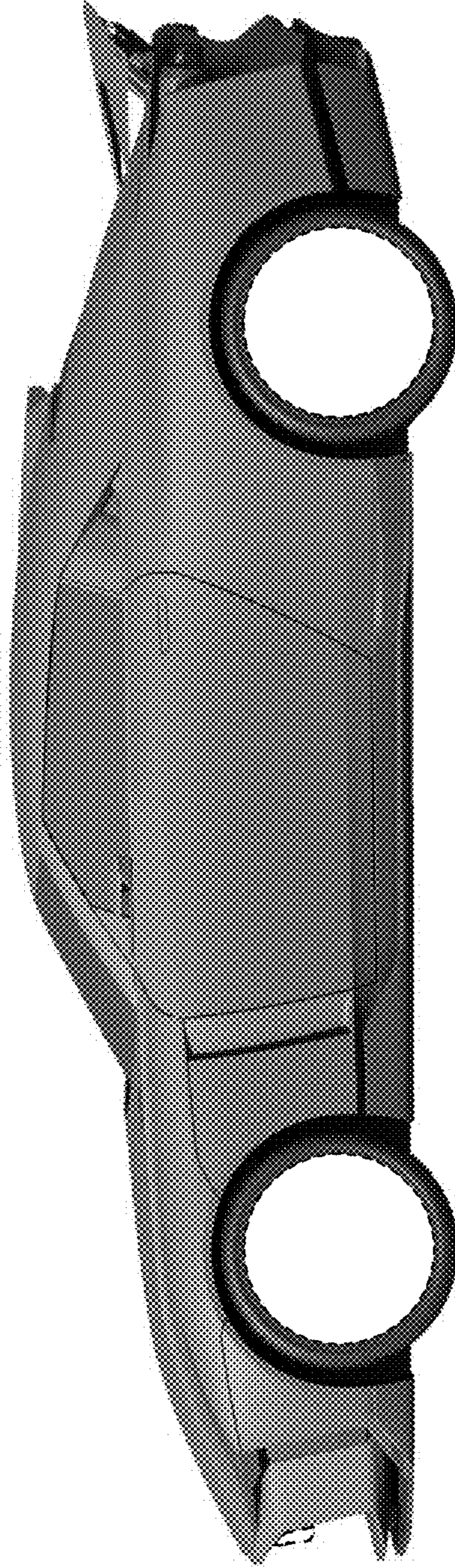


FIG. 3

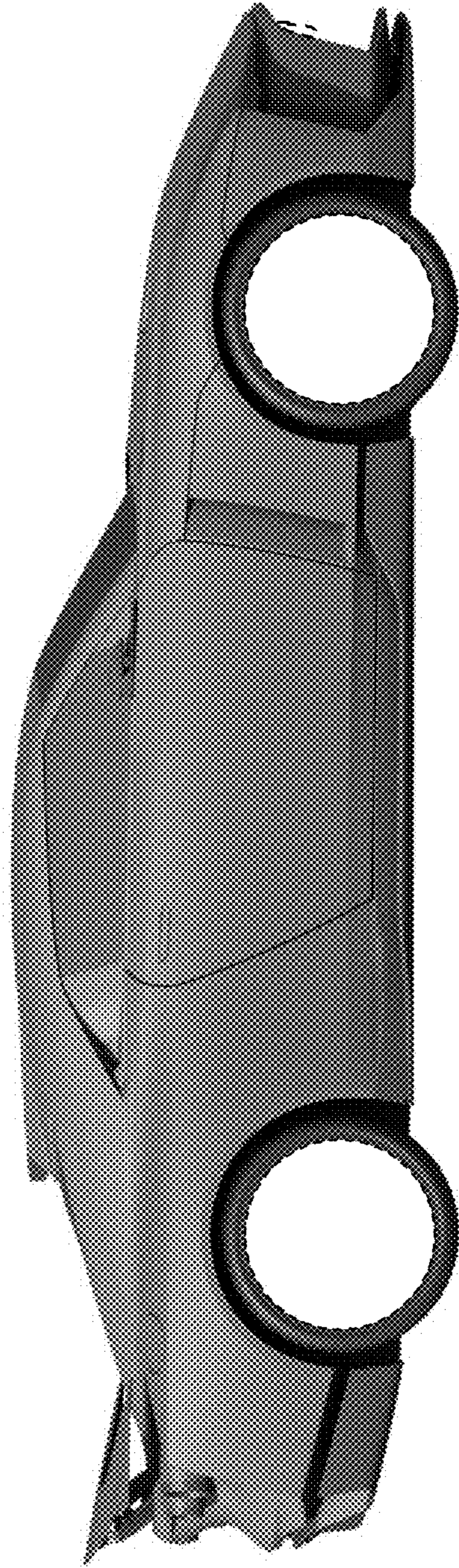


FIG. 4

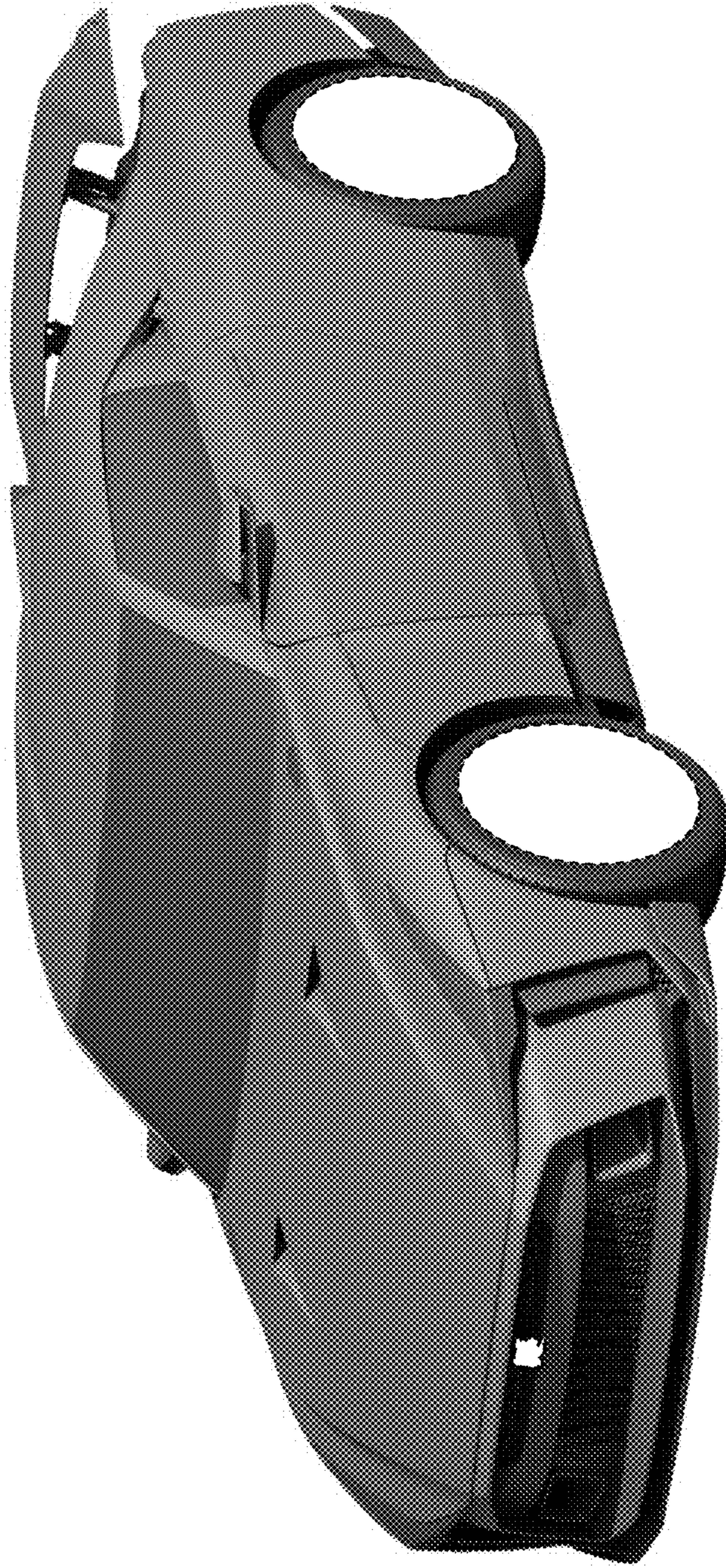


FIG. 5

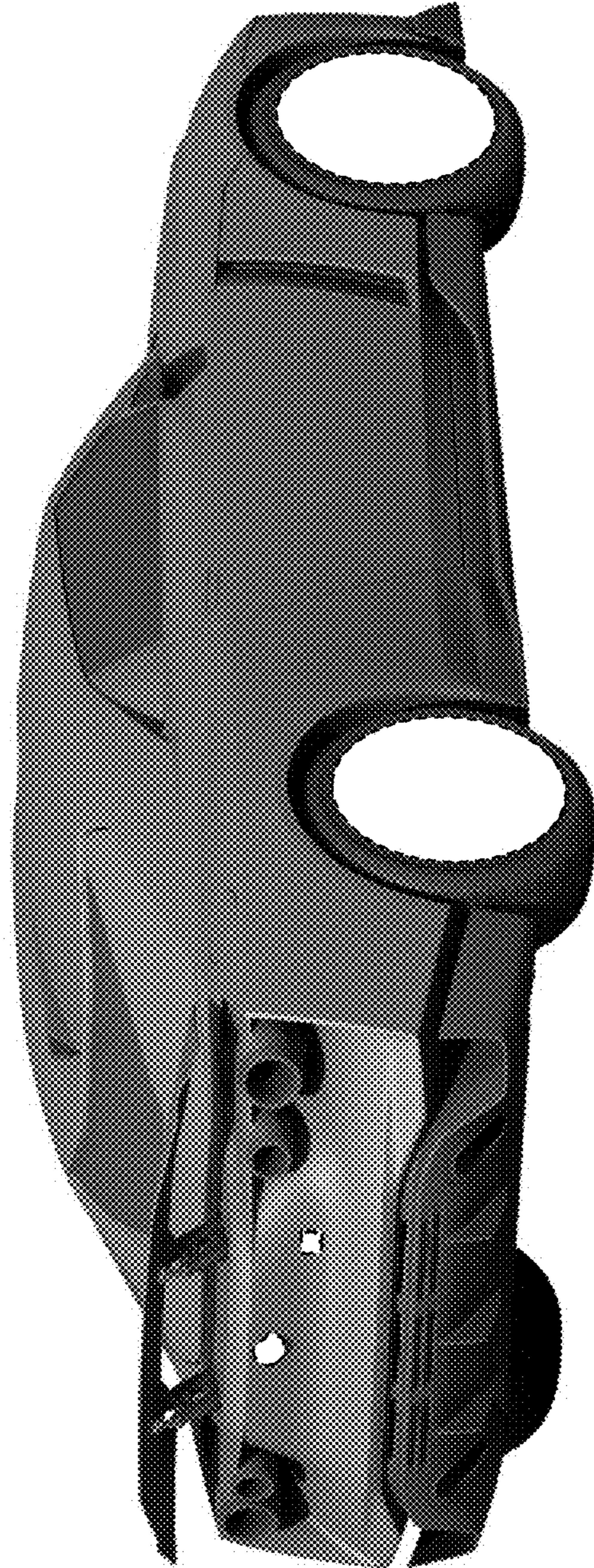


FIG. 6



FIG. 7