



US00D890629S

(12) **United States Design Patent** (10) **Patent No.:** **US D890,629 S**  
**Matus et al.** (45) **Date of Patent:** **\*\* Jul. 21, 2020**

(54) **DRONE BODY**  
(71) Applicant: **TEAL DRONES, INC.**, Salt Lake City, UT (US)  
(72) Inventors: **George Michael Matus**, Salt Lake City, UT (US); **Samuel Chase Weiss**, South Jordan, UT (US)  
(73) Assignee: **Teal Drones, Inc.**, Salt Lake City, UT (US)

D795,967 S \* 8/2017 Haley ..... D12/16.1  
D796,586 S \* 9/2017 Chen ..... D12/16.1  
D798,961 S \* 10/2017 Li ..... D21/441  
D806,606 S \* 1/2018 Morrison ..... D12/16.1  
D809,992 S \* 2/2018 Hu ..... D12/328  
D810,653 S \* 2/2018 Hu ..... D12/327  
D813,724 S \* 3/2018 Hu ..... D12/16.1  
D814,385 S \* 4/2018 Zhao ..... D12/328  
D814,970 S \* 4/2018 Chen ..... D12/16.1  
D814,971 S \* 4/2018 Huang ..... D12/16.1  
D816,546 S \* 5/2018 Wang ..... D12/16.1  
D816,582 S \* 5/2018 Liang ..... D12/328  
D817,850 S \* 5/2018 Xiao ..... D12/328

(Continued)

(\*\*) Term: **15 Years**

(21) Appl. No.: **29/650,217**

(22) Filed: **Jun. 5, 2018**

(51) **LOC (12) Cl.** ..... **12-07**

(52) **U.S. Cl.**  
USPC ..... **D12/16.1; D12/345**

(58) **Field of Classification Search**  
USPC ..... D12/1-4, 16.1, 319-345; D21/436-454  
CPC ..... B64C 39/024; B64C 13/16; B64C 19/00;  
B64C 2201/021; B64C 2201/141; B60H  
1/3442

See application file for complete search history.

(56) **References Cited**

**U.S. PATENT DOCUMENTS**

D691,514 S \* 10/2013 Wang ..... D12/16.1  
D710,454 S \* 8/2014 Barajas ..... D12/16.1  
D745,435 S \* 12/2015 Park ..... D12/16.1  
D759,764 S \* 6/2016 Lai ..... D12/16.1  
D760,848 S \* 7/2016 McKenna ..... D12/16.1  
D763,134 S \* 8/2016 Wang ..... D12/16.1  
D768,539 S \* 10/2016 Lee ..... D12/16.1  
D772,991 S \* 11/2016 Caubel ..... D12/16.1  
D777,263 S \* 1/2017 Lavagen ..... D12/16.1  
D782,366 S \* 3/2017 Xiao ..... D12/16.1  
D784,202 S \* 4/2017 Park ..... D12/16.1  
D784,854 S \* 4/2017 Huang ..... D12/16.1  
D785,541 S \* 5/2017 Du ..... D12/328

**OTHER PUBLICATIONS**

Teal drone. By Jacob Drol, Joshua Goldman. dated Jul. 20, 2016. found online [Aug. 26, 2019] <https://www.cnet.com/reviews/teal-drone-preview/>.\*

*Primary Examiner* — Marissa J Cash

(74) *Attorney, Agent, or Firm* — Workman Nydegger

(57) **CLAIM**

The ornamental design for a drone body, as shown and described.

**DESCRIPTION**

FIG. 1 perspective view of the drone body showing our new ornamental design.

FIG. 2 another perspective view of the drone body with an unclaimed drone battery pack attached thereto.

FIG. 3 is a back elevation view thereof

FIG. 4 is a front, plan view thereof.

FIG. 5 is top, plan view thereof.

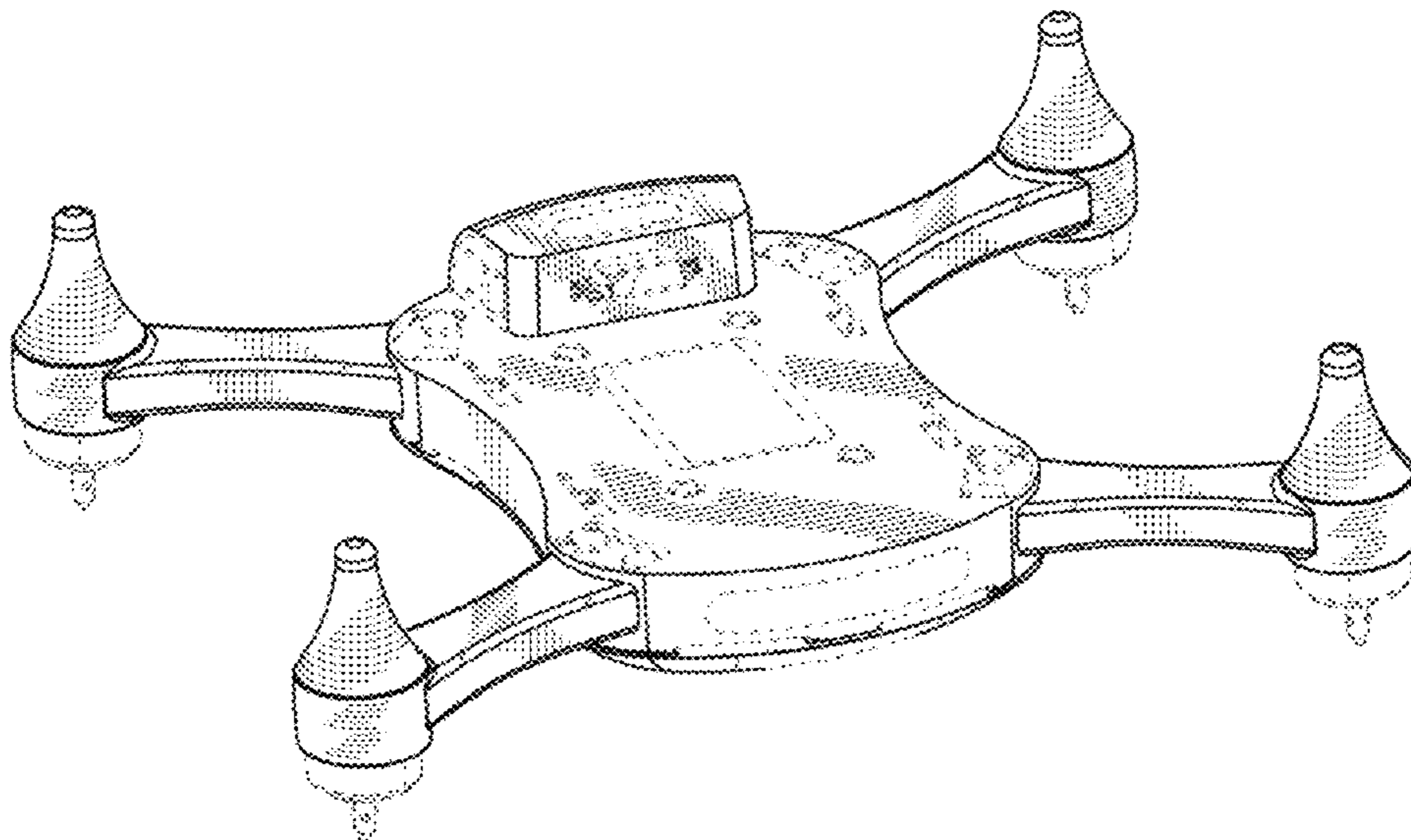
FIG. 6 is bottom, plan view thereof.

FIG. 7 is a left elevational view thereof; and,

FIG. 8 is a right elevational view thereof.

The broken lines in the drawings depict portions of the drone body that form no part of the claimed design.

**1 Claim, 5 Drawing Sheets**



(56)

## References Cited

## U.S. PATENT DOCUMENTS

D818,872 S \* 5/2018 Ho ..... D12/16.1  
D818,874 S \* 5/2018 Tian ..... D12/16.1  
D819,749 S \* 6/2018 Caubel ..... D21/449  
D820,158 S \* 6/2018 Jeong ..... D12/16.1  
D821,263 S \* 6/2018 Goldy ..... D12/16.1  
D825,379 S \* 8/2018 Gury ..... D12/16.1  
D825,380 S \* 8/2018 Tompkin ..... D12/16.1  
D825,381 S \* 8/2018 Meugnier ..... D12/16.1  
D825,669 S \* 8/2018 Tompkin ..... D21/441  
D827,723 S \* 9/2018 Barajas ..... D21/442  
D827,724 S \* 9/2018 Barajas ..... D21/453  
D828,222 S \* 9/2018 Yu ..... D12/16.1  
D830,229 S \* 10/2018 Lutterodt ..... D12/16.1  
D830,896 S \* 10/2018 Lutterodt ..... D12/16.1  
D830,946 S \* 10/2018 Matus ..... D12/328  
D831,538 S \* 10/2018 Gan ..... D12/16.1  
D843,267 S \* 3/2019 Gao ..... D12/16.1  
D843,921 S \* 3/2019 Shi ..... D12/345  
D849,845 S \* 5/2019 Zhao ..... D21/436  
D852,091 S \* 6/2019 Tompkin ..... D12/16.1  
D852,673 S \* 7/2019 Chen ..... D12/16.1  
10,343,785 B1 \* 7/2019 Reese ..... B64D 27/24  
2017/0015418 A1 \* 1/2017 Matus ..... B64C 39/024  
2017/0371354 A1 \* 12/2017 Matus ..... G05D 1/101  
2018/0267543 A1 \* 9/2018 McGuire, Jr. .... G05D 1/0202  
2019/0135432 A1 \* 5/2019 Matus ..... B64C 39/024

\* cited by examiner

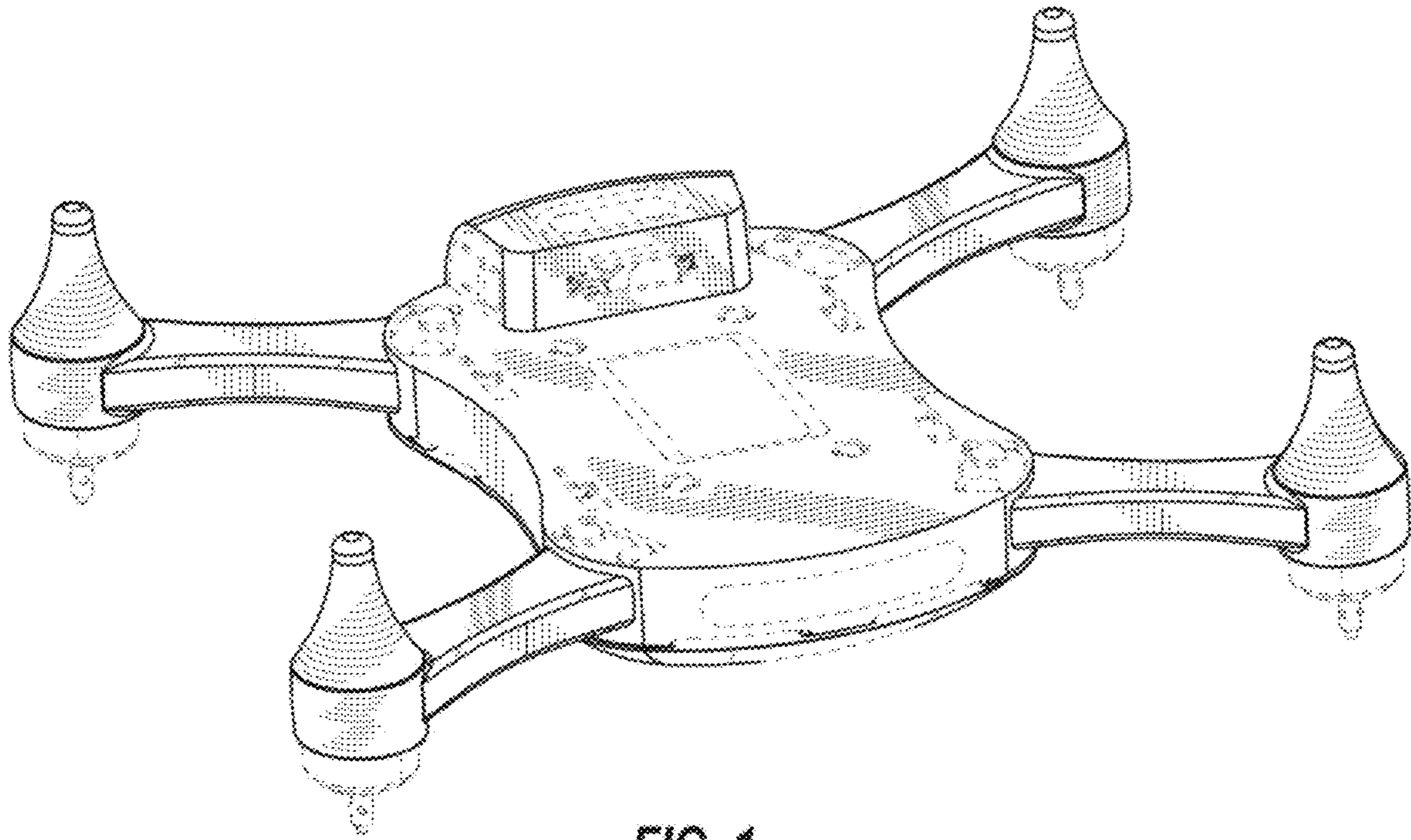


FIG. 1

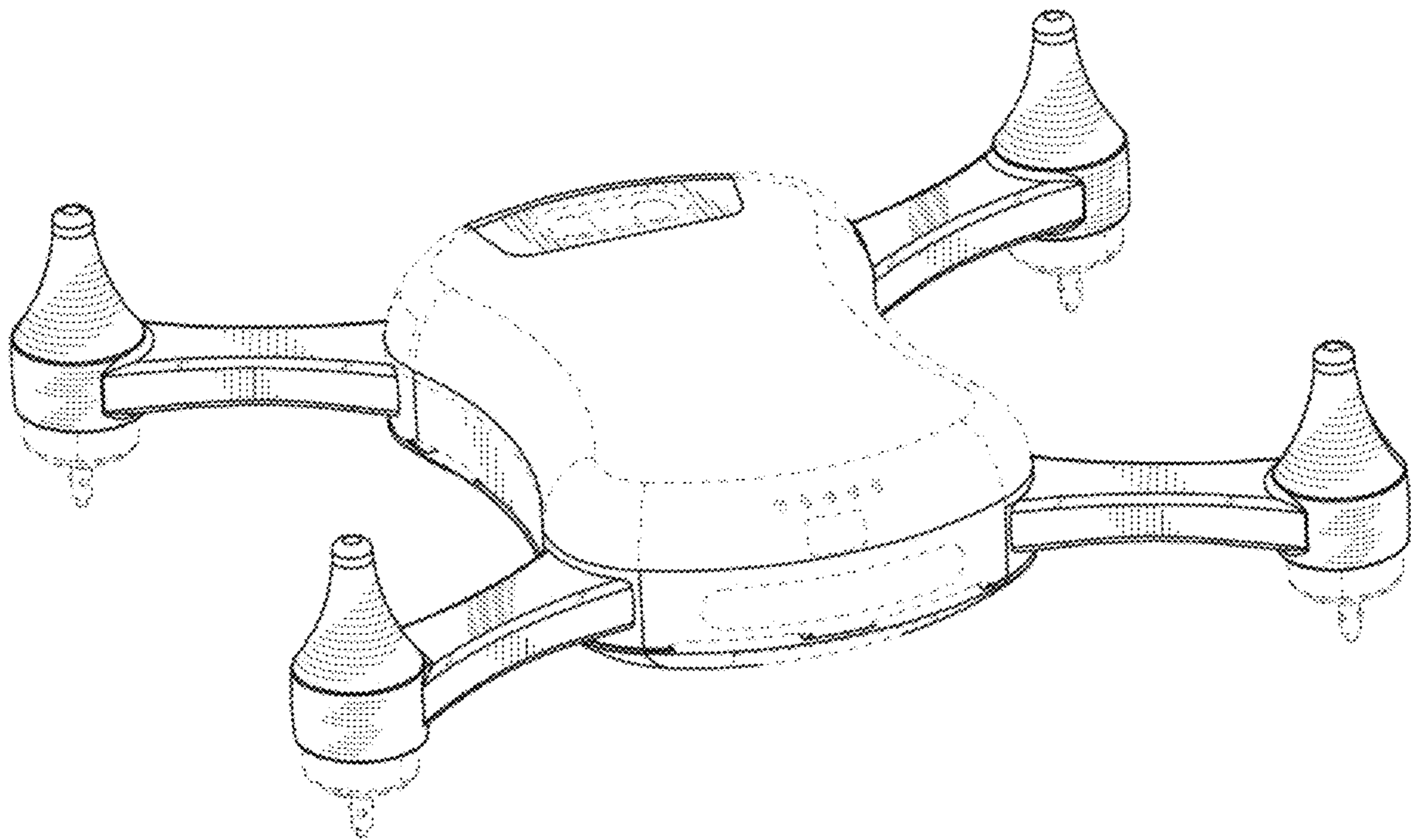


FIG. 2

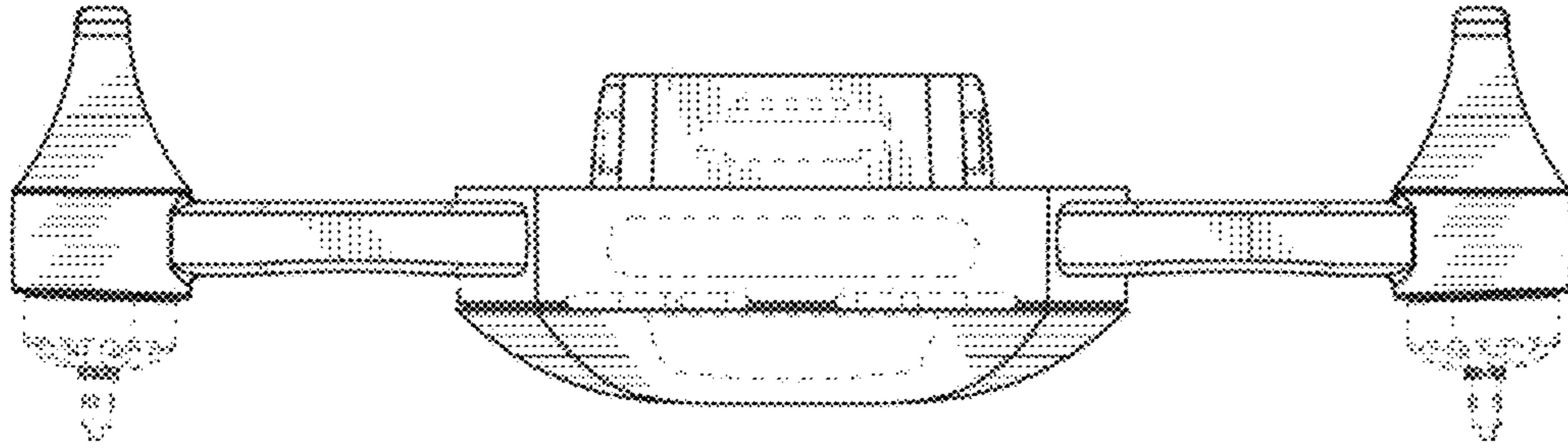


FIG. 3

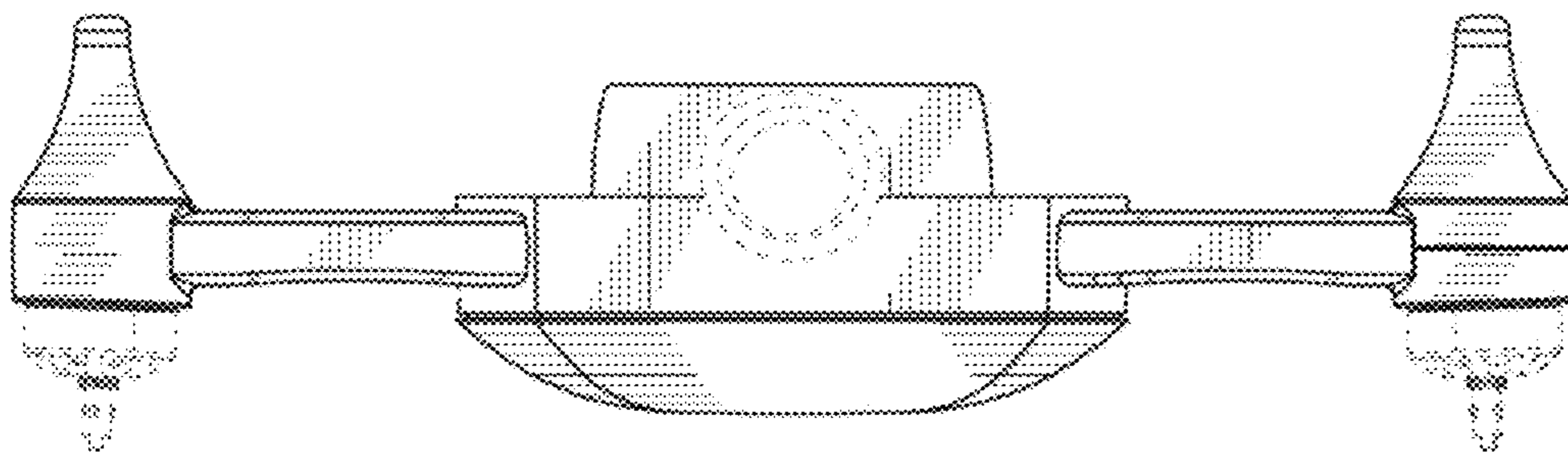


FIG. 4

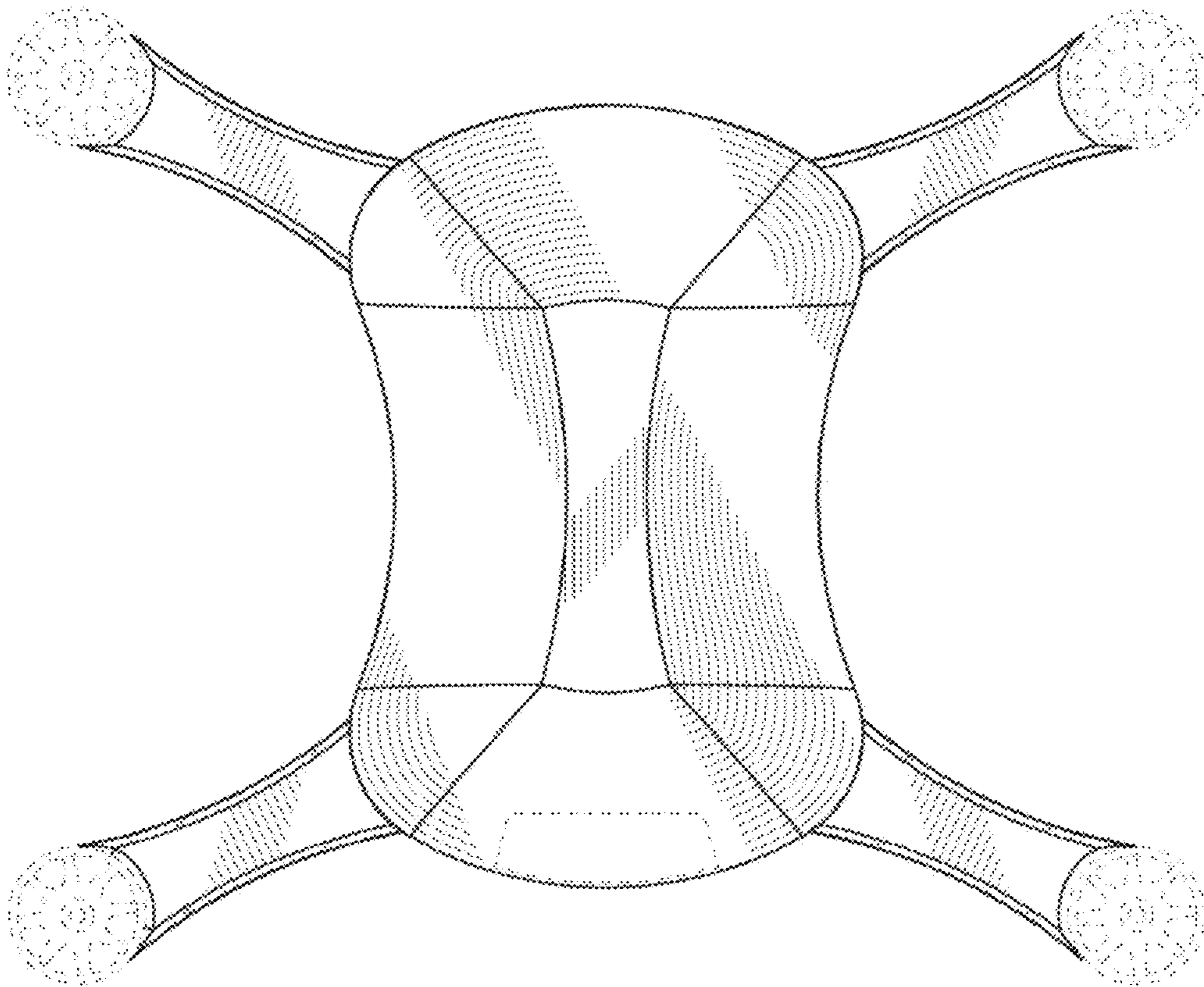


FIG. 5

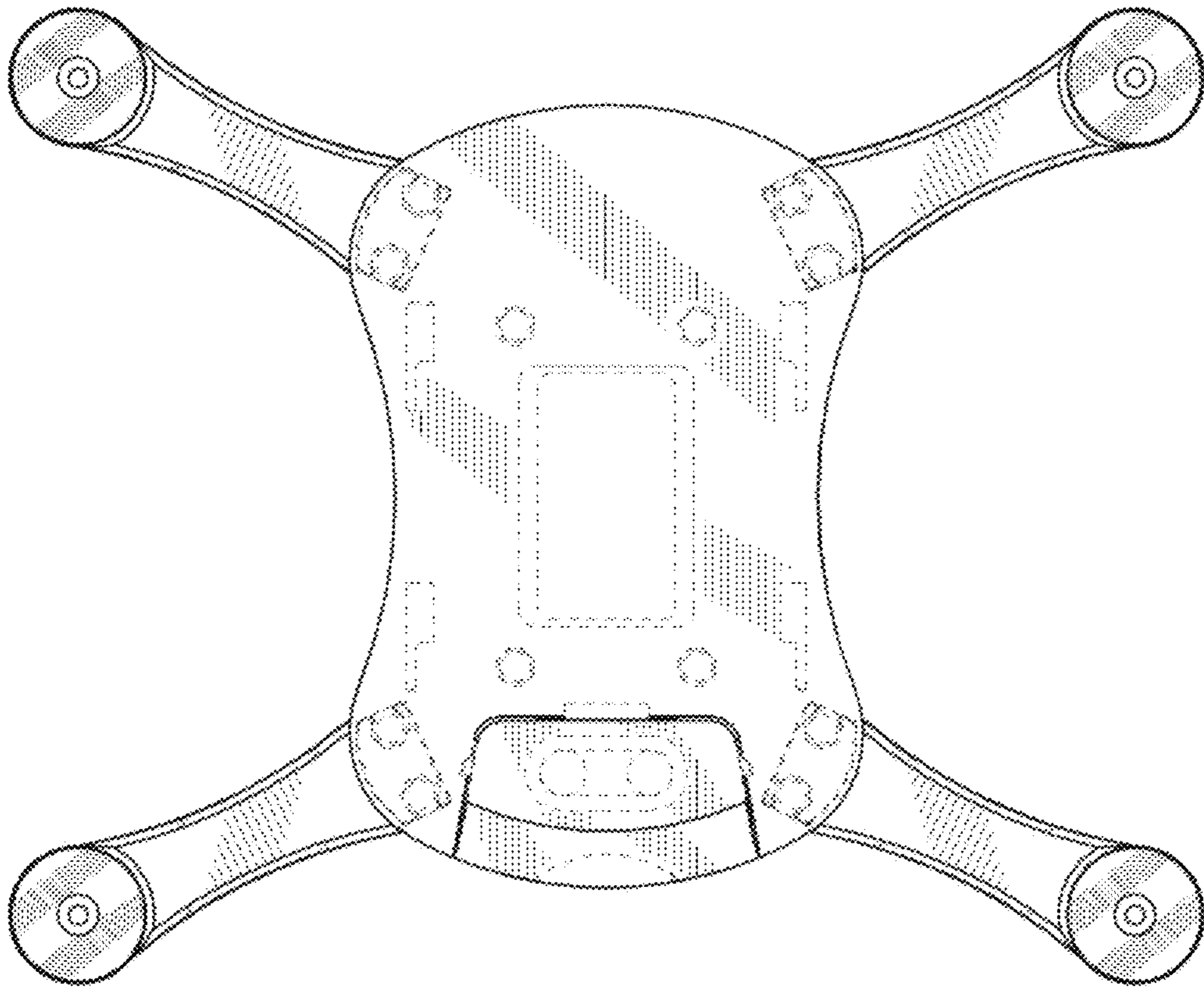


FIG. 6

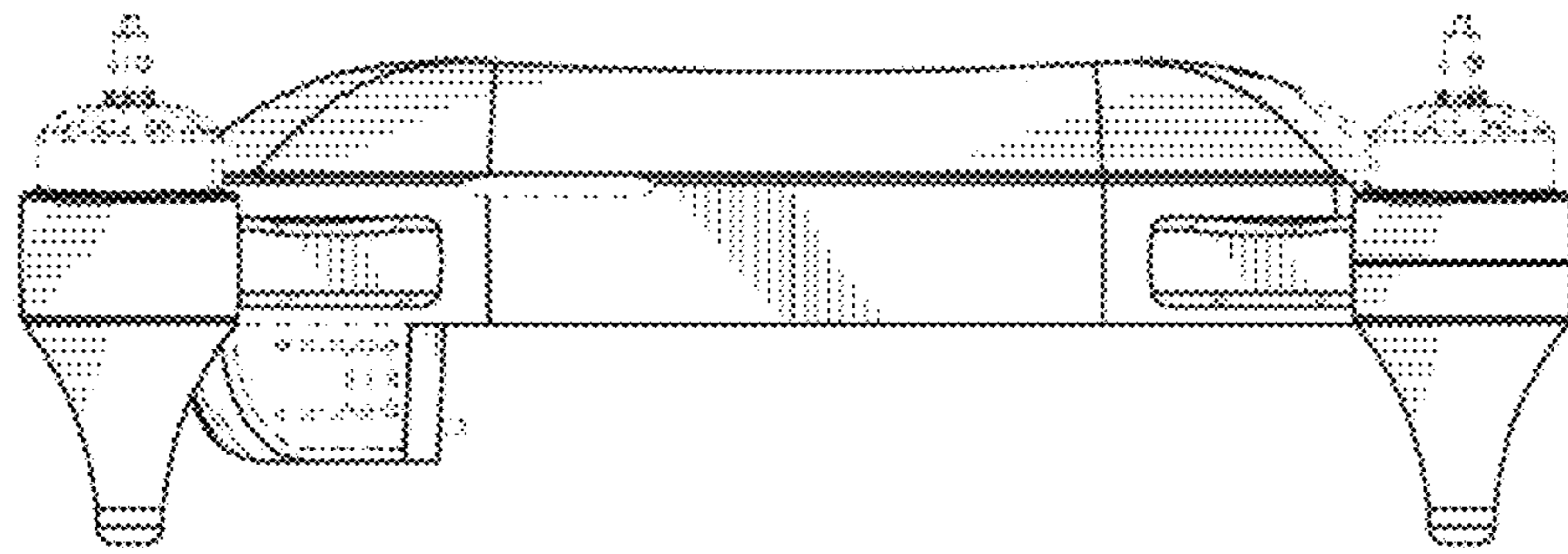


FIG. 7

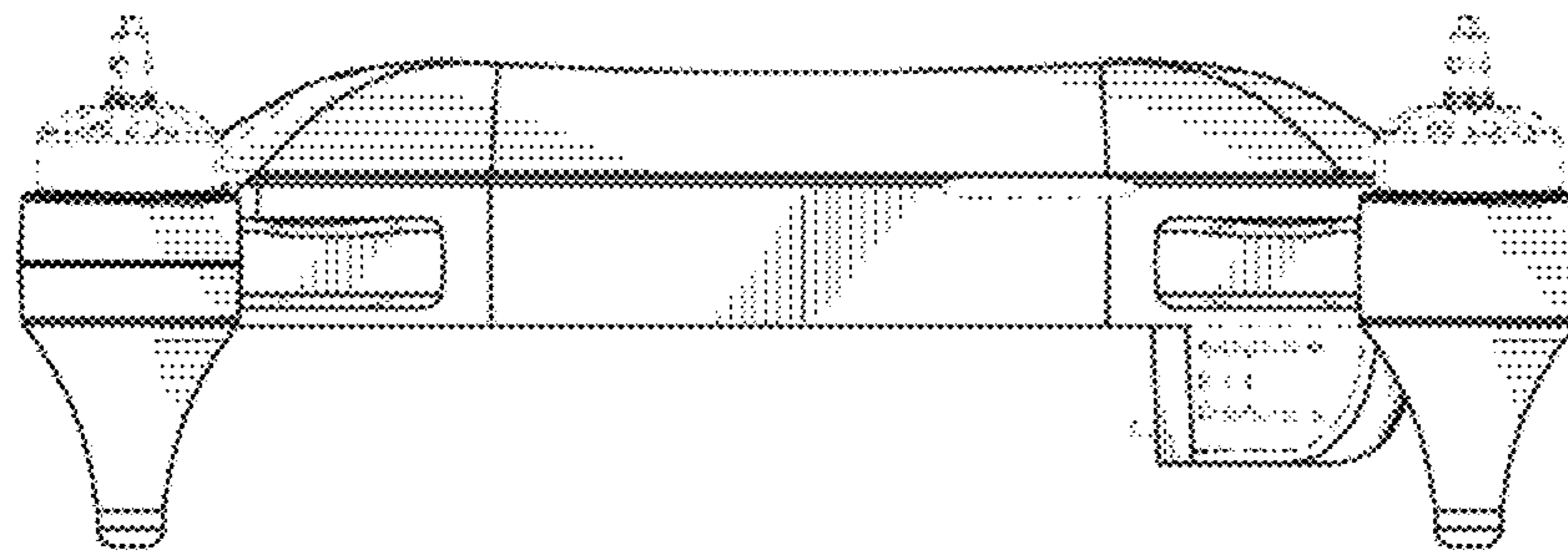


FIG. 8