



US00D890622S

(12) **United States Design Patent** (10) **Patent No.:** **US D890,622 S**
Pandolfino (45) **Date of Patent:** **** Jul. 21, 2020**

(54) **NECKWEAR FOR COINS OR ROUNDS**
(71) Applicant: **PATUGA LLC**, Clarence, NY (US)
(72) Inventor: **Joseph Pandolfino**, Clarence, NY (US)
(73) Assignee: **PATUGA LLC**, Clarence, NY (US)
(**) Term: **15 Years**

D121,456 S * 7/1940 Masters D2/633
D178,449 S * 8/1956 Brown D2/608
4,165,573 A * 8/1979 Richards A44C 3/00
206/0.8
4,447,913 A 5/1984 Engelson
D276,191 S 11/1984 Engelson
4,546,494 A 10/1985 Garber
4,617,685 A 10/1986 Grandis
4,627,113 A 12/1986 Lord
(Continued)

(21) Appl. No.: **29/721,030**
(22) Filed: **Jan. 17, 2020**

FOREIGN PATENT DOCUMENTS

AT 389630 B 1/1990
CN 2888922 Y 4/2007
(Continued)

Related U.S. Application Data

(62) Division of application No. 29/701,448, filed on Aug. 12, 2019, now Pat. No. Des. 874,970.

(51) **LOC (12) Cl.** **11-01**
(52) **U.S. Cl.**
USPC **D11/79**; D11/1; D2/605

OTHER PUBLICATIONS

[Online] "Lunar Series Neckwear with Pamp's Lady Fortuna"
<https://www.patuga.com/product/lunar-series-neckwear-with-pamps-lady-fortuna/>. Retrieved Mar. 15, 2020.*
(Continued)

(58) **Field of Classification Search**
USPC D11/1, 2, 3, 7, 8, 12, 19, 40-54, 79-86,
D11/87, 91, 92, 93; D3/207; D6/300;
D2/600-609, 627, 633, 637
CPC .. A44C 1/00; A44C 3/00; A44C 3/004; A44C
3/005; A44C 3/007; A44C 3/008; A44C
5/02; A44C 7/002; A44C 25/00; A44C
25/001; A44C 25/002; A44C 25/004;
A44C 25/005; A44C 25/007; A41D
23/00; A41D 25/00; A41D 25/003; A41D
25/004; A41D 25/005; A41D 25/008;
A41D 25/02; A41D 25/06; G07D 9/002;
A47G 1/12
See application file for complete search history.

Primary Examiner — Melanie Pellegrini
(74) *Attorney, Agent, or Firm* — Sughrue Mion, PLLC

(57) **CLAIM**

The ornamental design for a neckwear for coins or rounds, as shown and described.

DESCRIPTION

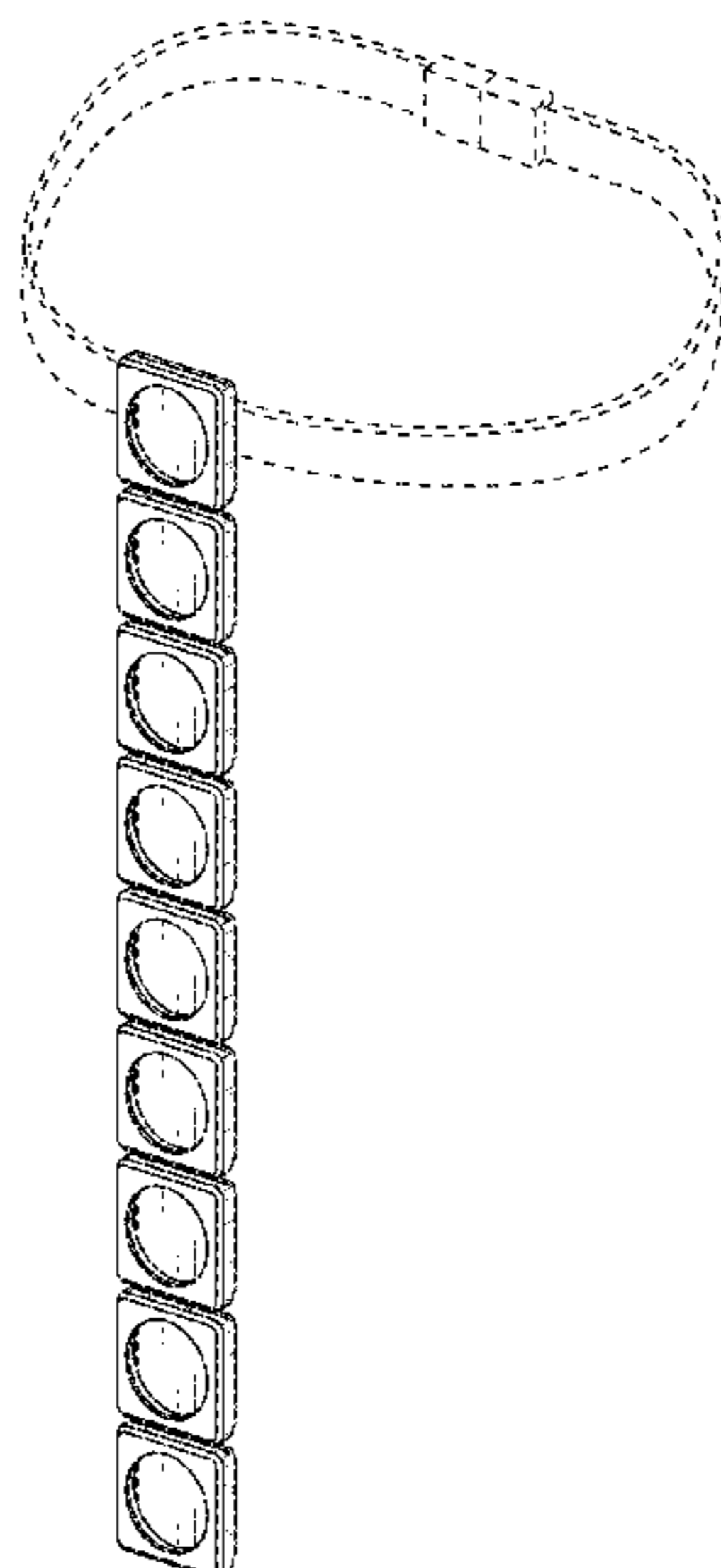
FIG. 1 is a front view of a neckwear of my new design;
FIG. 2 is a rear view thereof;
FIG. 3 is a right side view thereof;
FIG. 4 is a left side view thereof;
FIG. 5 is a top view thereof;
FIG. 6 is a bottom view thereof; and,
FIG. 7 is a front perspective view thereof.
The features of the neckwear shown in broken lines form no part of the claimed design.

(56) **References Cited**

U.S. PATENT DOCUMENTS

1,060,229 A 4/1913 Casper et al.
D55,788 S * 7/1920 Griffin D11/6
D67,566 S 6/1925 Allmendinger
D112,303 S * 11/1938 Huddle D2/633

1 Claim, 4 Drawing Sheets



(56)

References Cited

U.S. PATENT DOCUMENTS

4,903,825 A * 2/1990 Harlan A45C 11/24
206/499
5,016,285 A * 5/1991 Just A41D 25/00
2/144
D318,754 S 8/1991 Hughes
5,036,550 A 8/1991 Wilsey
D320,499 S 10/1991 White et al.
D335,763 S 5/1993 Jacob
5,238,528 A 8/1993 Heinrich
D374,111 S * 10/1996 Wilson D11/12
D382,088 S 8/1997 Harp
5,673,434 A 10/1997 Risk
D398,435 S 9/1998 Gray
D480,533 S 10/2003 Bryant, II et al.
D605,376 S * 12/2009 Dickerson D2/605
D663,916 S * 7/2012 Bracey D2/605
D668,429 S 10/2012 Ross
D681,496 S 5/2013 Goerges
D708,092 S 7/2014 Foye et al.
D734,685 S 7/2015 Barresi
D748,370 S 2/2016 Johnson
D773,736 S 12/2016 Williams
D774,122 S 12/2016 Ganovsky et al.
D775,777 S 1/2017 Peral
D817,592 S 5/2018 Pandolfino
D821,248 S 6/2018 Naqvi
D824,795 S 8/2018 Pandolfino
D825,373 S 8/2018 Pandolfino
10,136,689 B1 11/2018 Pandolfino
D834,989 S 12/2018 Pandolfino
D834,990 S 12/2018 Pandolfino
D834,991 S 12/2018 Pandolfino
10,172,400 B1 1/2019 Pandolfino
D848,705 S 5/2019 Pandolfino
D854,441 S 7/2019 Pandolfino
D856,840 S 8/2019 Pandolfino
D856,841 S 8/2019 Pandolfino
D860,852 S 9/2019 Pandolfino
D874,970 S * 2/2020 Pandolfino D11/79

2013/0263625 A1* 10/2013 Taylor-Cattapan
A44C 17/0258
63/4

2018/0168254 A1 6/2018 Pandolfino
2019/0000166 A1 1/2019 Pandolfino
2019/0059481 A1 2/2019 Pandolfino
2019/0069619 A1 3/2019 Pandolfino

FOREIGN PATENT DOCUMENTS

JP 2010-248641 A 11/2010
WO 88/06414 A1 9/1988

OTHER PUBLICATIONS

[Online] "Lunar Series Neckwear" <https://www.patuga.com/product/lunar-series-neckwear/>. Retrieved Mar. 15, 2020.*
Engineering Corner, <https://www.shapeways.com/product/MUT37CQWA/articulated-necktie-clips-on-to-your-top-button>; author and publication date, on or before Sep. 9, 2019.
Hatfeathers Vintage, <http://www.hatfeathersvintage.com/shop/vintage-80s-red-black-big-polka-dot-tie-necktie>; author and publication date, on or before Sep. 9, 2019.
<http://woodknot.com/>; author and publication date, on or before Sep. 9, 2019.
<http://www.jebiga.com/cams-wooden-ties-new-take-fashion/>; author and publication date, on or before Sep. 9, 2019.
<https://www.vat19.com/item/wood-tie>; author and publication date, on or before Sep. 9, 2019.
The fusionguy, <https://thefusionguy.wordpress.com/category/woodworking>, author and publication date, on or before Sep. 9, 2019.
tie-necktie.com, http://www.ties-necktie.com/giant-polka-dot-skinny-tie-blue-p-21337.html?gclid=EAlalQobChMlppjt1aXT2AIVmY-zCh2CTABBEAQYASABEgINCPD_BwE; author and publication date, on or before Sep. 9, 2019.
Ties.com, <https://www.ties.com/v/a/holidays-ornaments-shaped-black-tie>; author and publication date, on or before Sep. 9, 2019.
Ties.com, <https://www.ties.com/wild-ties-black-the-8-planets-skinny-tie>; author and publication date, on or before Sep. 9, 2019.

* cited by examiner

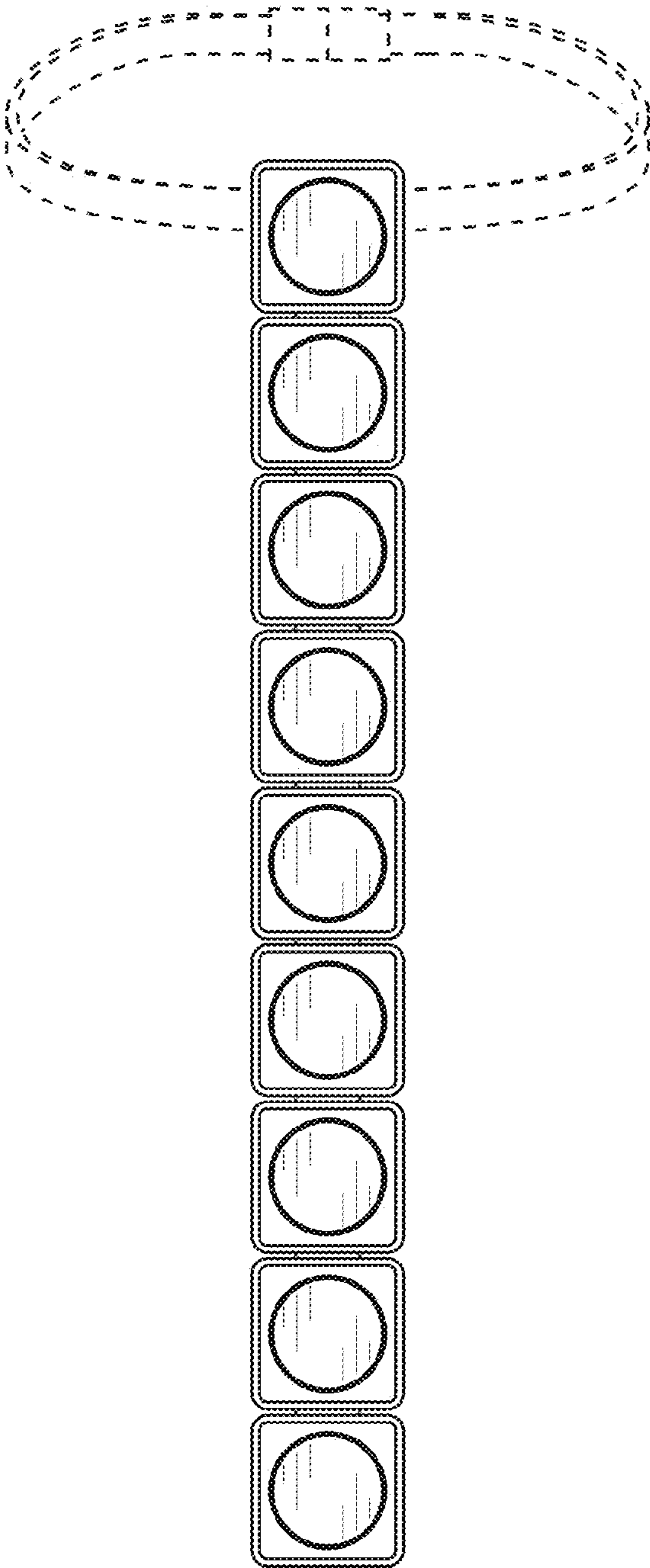


FIG. 1

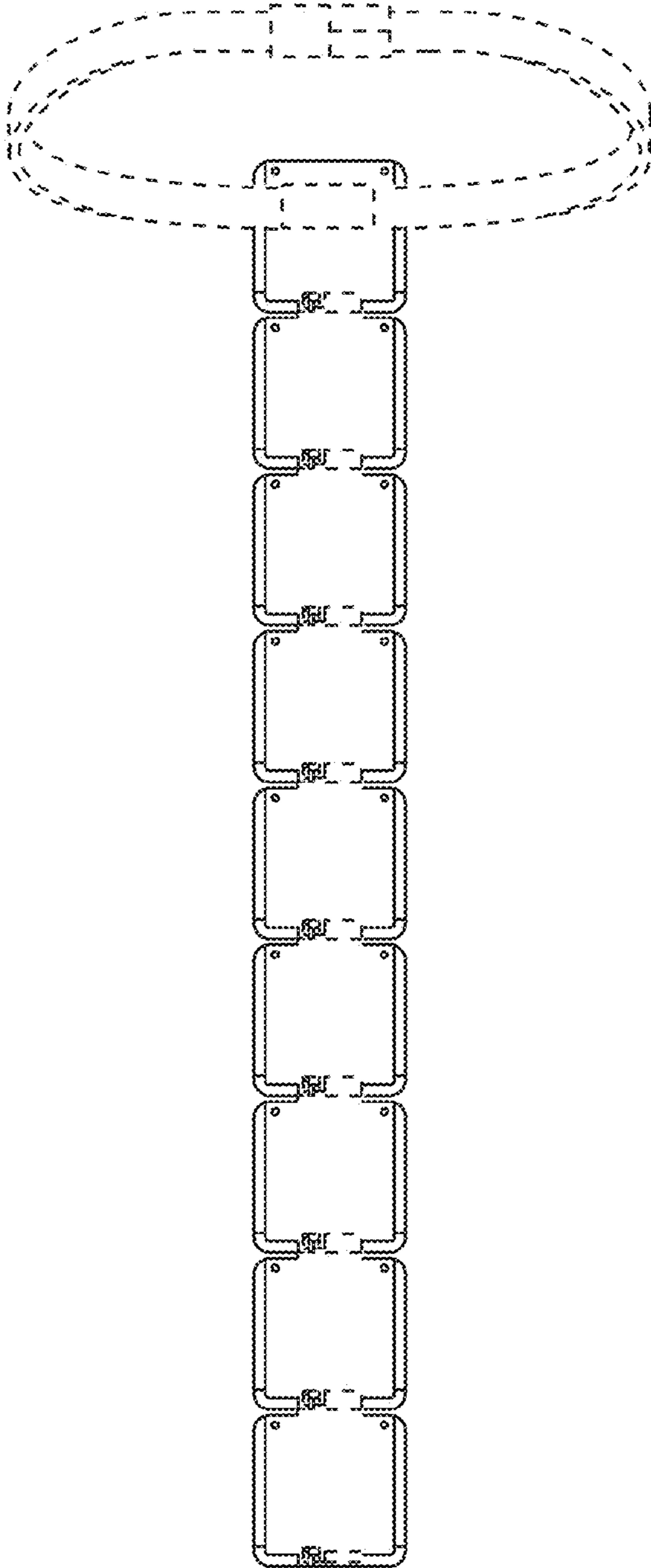


FIG. 2

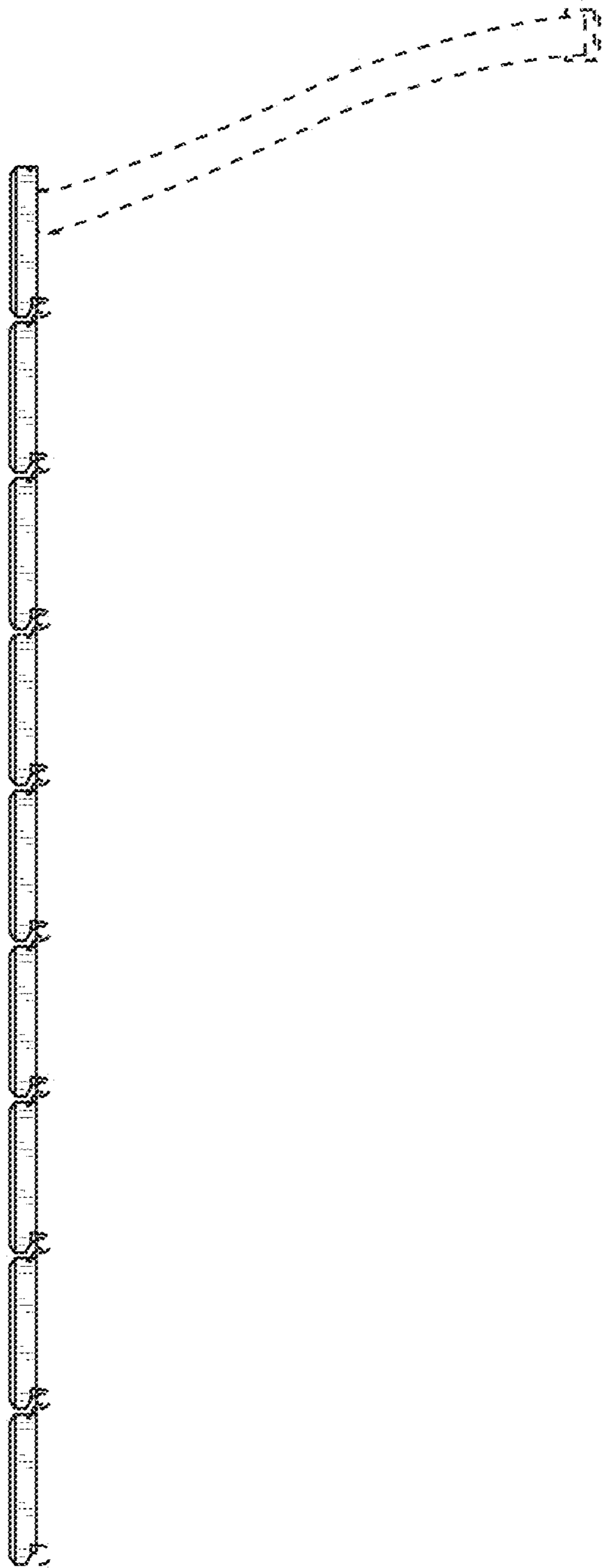


FIG. 3

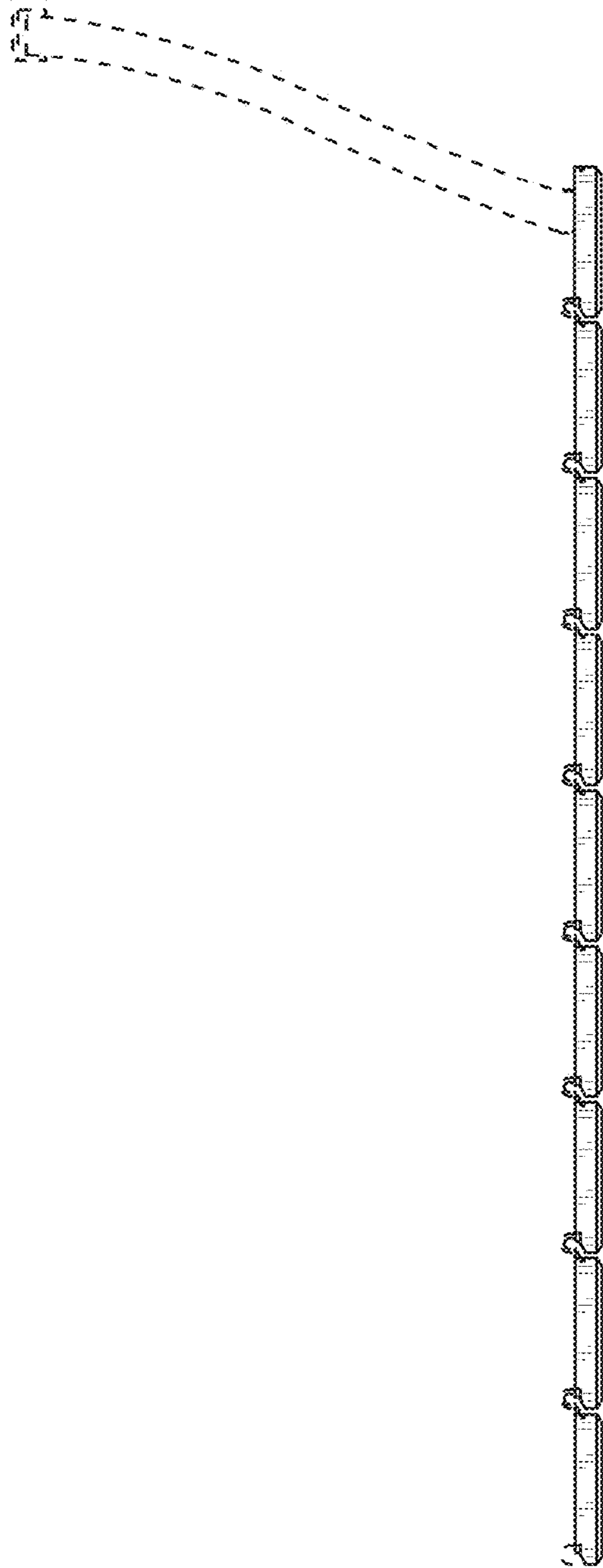


FIG. 4

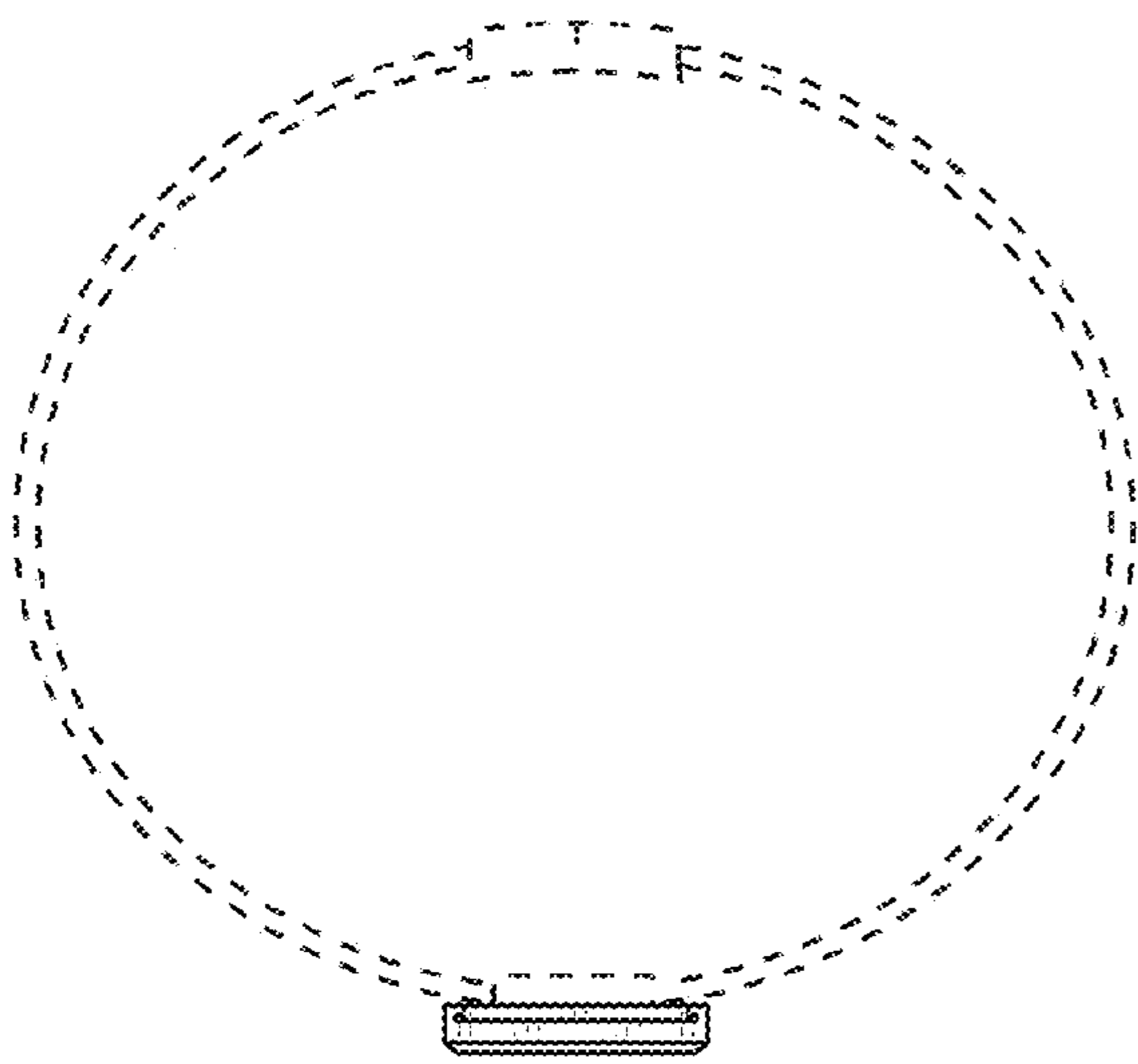


FIG. 5

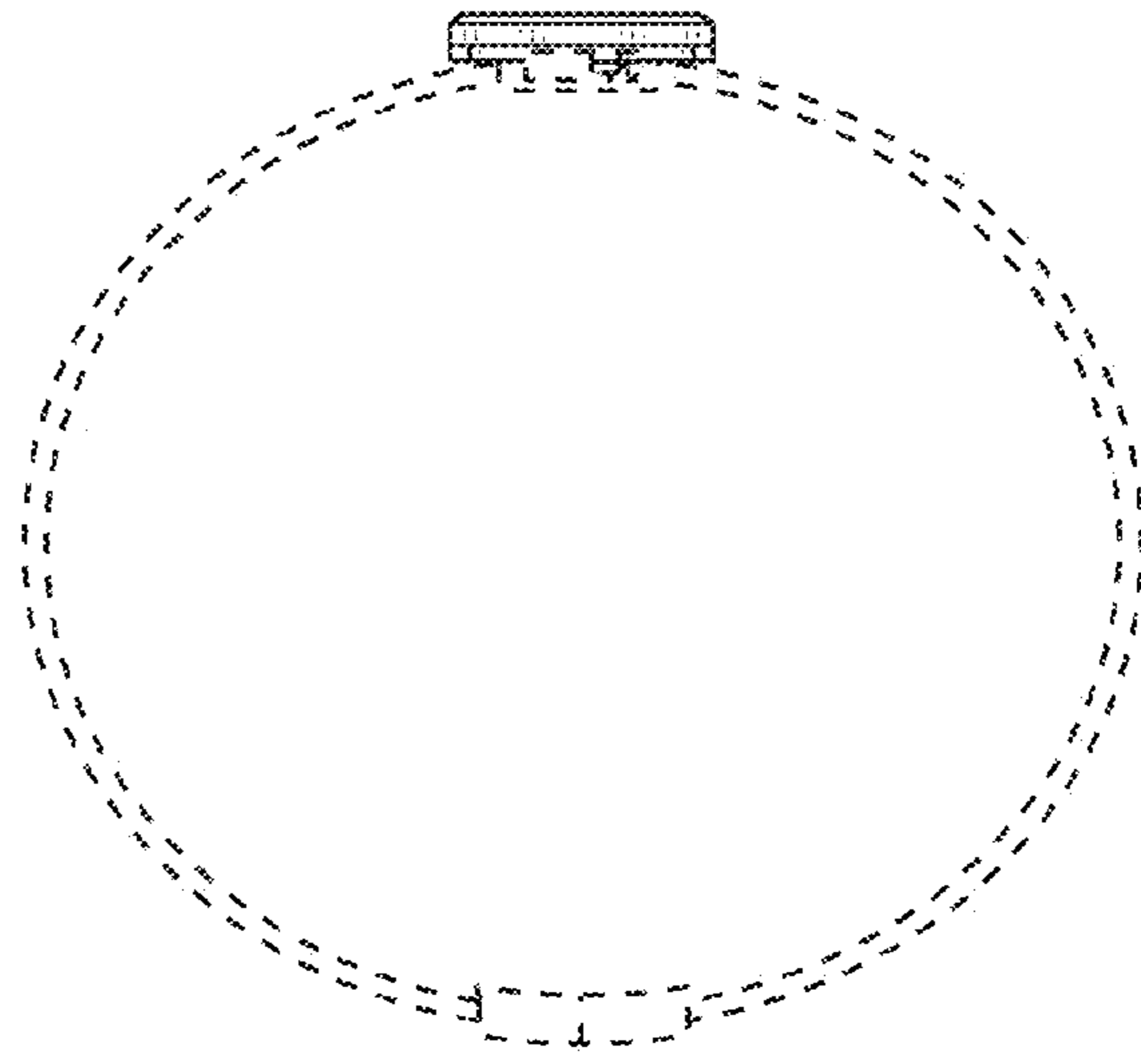


FIG. 6

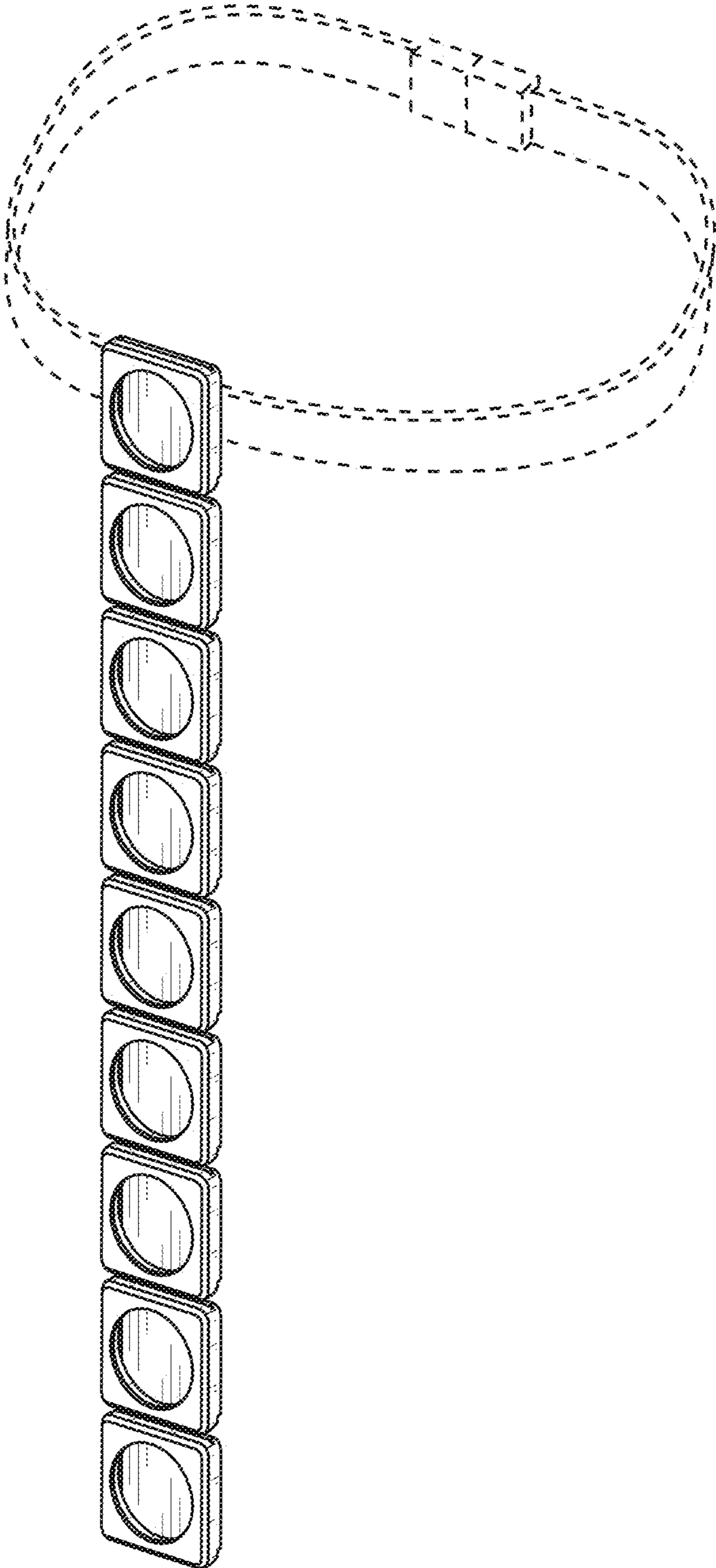


FIG. 7