



US00D890619S

(12) **United States Design Patent** (10) **Patent No.:** **US D890,619 S**
Paik et al. (45) **Date of Patent:** **** Jul. 21, 2020**

(54) **WHISTLE FOR COUPLING WITH A BUCKLE MEMBER**

(71) Applicant: **WOJIN PLASTIC CO., LTD.**,
Guri-si, Gyeonggi-do (KR)

(72) Inventors: **Jisook Paik**, Seoul (KR); **Nan Hee Paik**, Seoul (KR); **Ji Hye Paik**, Seoul (KR); **Ji Won Son**, Seoul (KR)

(73) Assignee: **WOJIN PLASTIC CO., LTD.**,
Guri-si, Gyeonggi-Do (KR)

(**) Term: **15 Years**

(21) Appl. No.: **29/673,921**

(22) Filed: **Dec. 18, 2018**

(30) **Foreign Application Priority Data**

Jun. 21, 2018 (KR) 30-2018-0028678

(51) **LOC (12) Cl.** **10-06**

(52) **U.S. Cl.**
USPC **D10/119.3; D11/200**

(58) **Field of Classification Search**
USPC D11/201–203, 209–210, 213–217,
D11/229–237, 200, 208, 212, 218;
D30/139, 152, 153; D10/32, 119.3;
D2/624–640, 705, 706, 709; D8/44, 349,
D8/354, 356, 395; D3/215, 216, 222
CPC A41F 1/006; A41F 1/00; A41F 15/002;
A41F 1/002; F41C 33/041; F41C 33/046;
A41C 3/04; A41C 3/02; A41C 3/065;
A41C 3/00; A44B 11/2596; A44B 11/04;
A44B 11/2588; A44B 11/266; A44B
11/006; A44B 11/06; A44B 11/10; A44B
11/125; A44B 11/223; A44B 11/25; A44B
11/2584; A44B 22/263; A44B 11/00;
A44B 11/02; A44B 11/05; A44B 11/14;
A44B 11/18; A44B 11/22; A44B 11/26;
A44B 11/001; A44B 11/2503; A44B
11/2507; A44B 11/2526; A44B 11/2553;
A44B 11/2592;

(Continued)

(56) **References Cited**

U.S. PATENT DOCUMENTS

D318,868 S * 8/1991 Disera D15/29
D447,088 S * 8/2001 Anscher D11/216

(Continued)

OTHER PUBLICATIONS

Wojin Track Webbing Clip with Whistle, no date available, [online], [site visited Mar. 13, 2020]. Retrieved from url:http://www.wojinplastic.com/kr/product/view.php?idx=458&part1_idx=32&part_idx=32 (Year: 2020).*

Primary Examiner — Michelle E. Wilson

Assistant Examiner — Tracey J Bell

(74) *Attorney, Agent, or Firm* — Novick, Kim & Lee, PLLC; Jae Youn Kim; Hyun Woo Shin

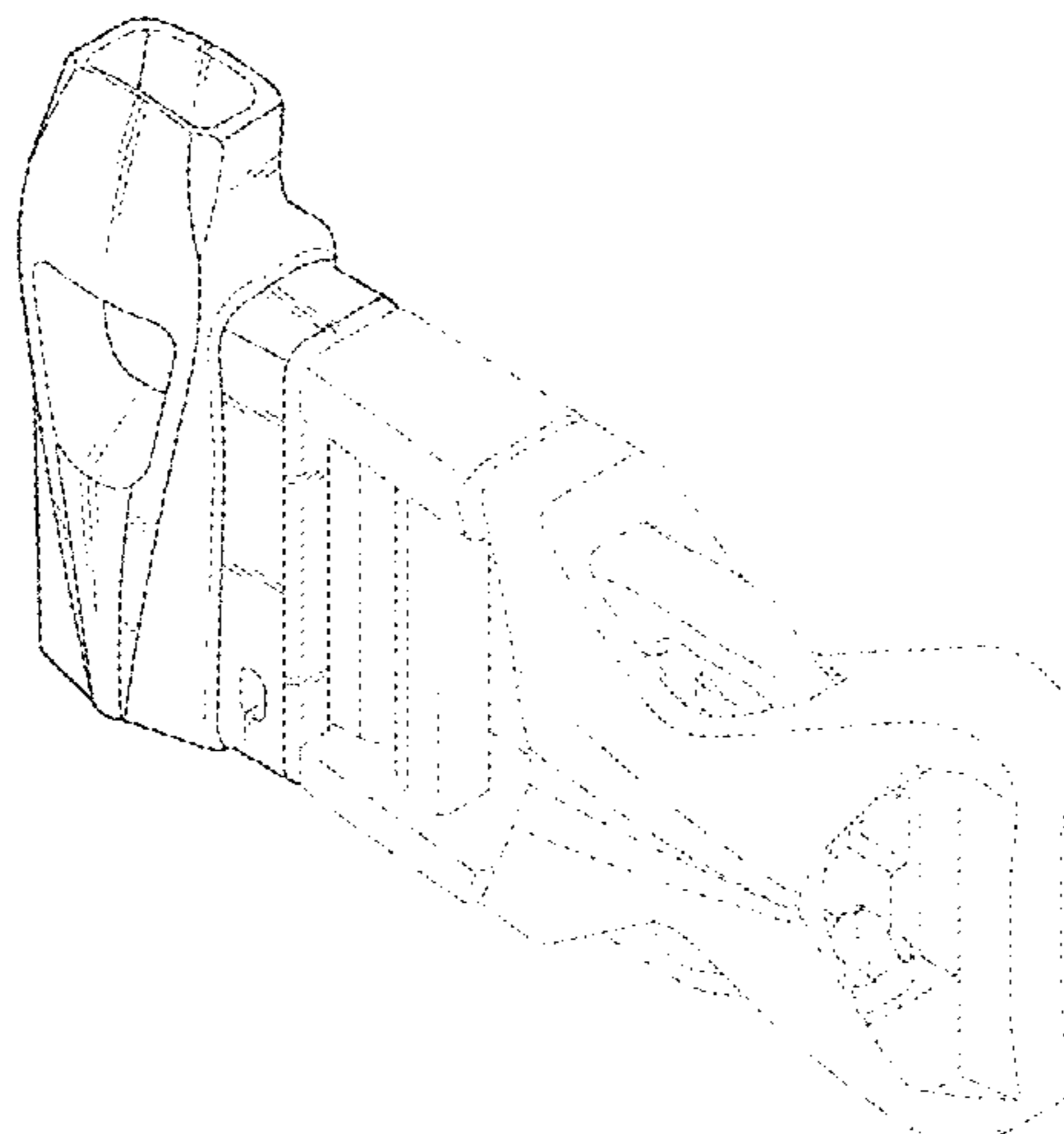
(57) **CLAIM**

The ornamental design for a whistle for coupling with a buckle member, as shown and described.

DESCRIPTION

FIG. 1 is a perspective view of a whistle for coupling with a buckle member showing our new design;
FIG. 2 is a front view thereof;
FIG. 3 is a rear view thereof;
FIG. 4 is a left-side view thereof;
FIG. 5 is a right-side view thereof;
FIG. 6 is an enlarged top view of thereof;
FIG. 7 is an enlarged bottom view thereof;
FIG. 8 is a cross-sectional view taken along line 2-2 in FIG. 2; and,
FIG. 9 is a reference view thereof showing a configuration of use.
The broken lines in FIG. 9 are directed to environment, which forms no part of the claimed design.

1 Claim, 9 Drawing Sheets



(58) **Field of Classification Search**

CPC A44B 11/2519; A44B 11/2542; A44B
13/0023; A44B 13/0047; A41D 1/215;
A41D 1/06; A41D 1/04; A41D 13/0012;
A41D 27/00; A41D 3/00; A45F 5/02;
A45F 2003/001; A45F 2200/0591; A45F
3/06; A45F 2003/146; A45F 3/14; G10K
5/00; A62B 18/08

See application file for complete search history.

(56) **References Cited**

U.S. PATENT DOCUMENTS

D686,525 S * 7/2013 Ishii D11/216
D735,074 S * 7/2015 Paik D11/200
D809,966 S * 2/2018 Wong D11/200
D866,391 S * 11/2019 Paik D11/218
2010/0115736 A1* 5/2010 Paik A44B 11/005
24/163 R
2010/0263171 A1* 10/2010 Paik A44B 11/25
24/194
2011/0101053 A1* 5/2011 Liang A45F 5/02
224/254
2015/0325227 A1* 11/2015 Kolasa G10K 5/00
446/204
2015/0366298 A1* 12/2015 Blackman A44B 11/005
431/253
2018/0125171 A1* 5/2018 Zhang A44B 11/2592
2019/0200709 A1* 7/2019 Paik A44B 11/005

* cited by examiner

Fig. 1

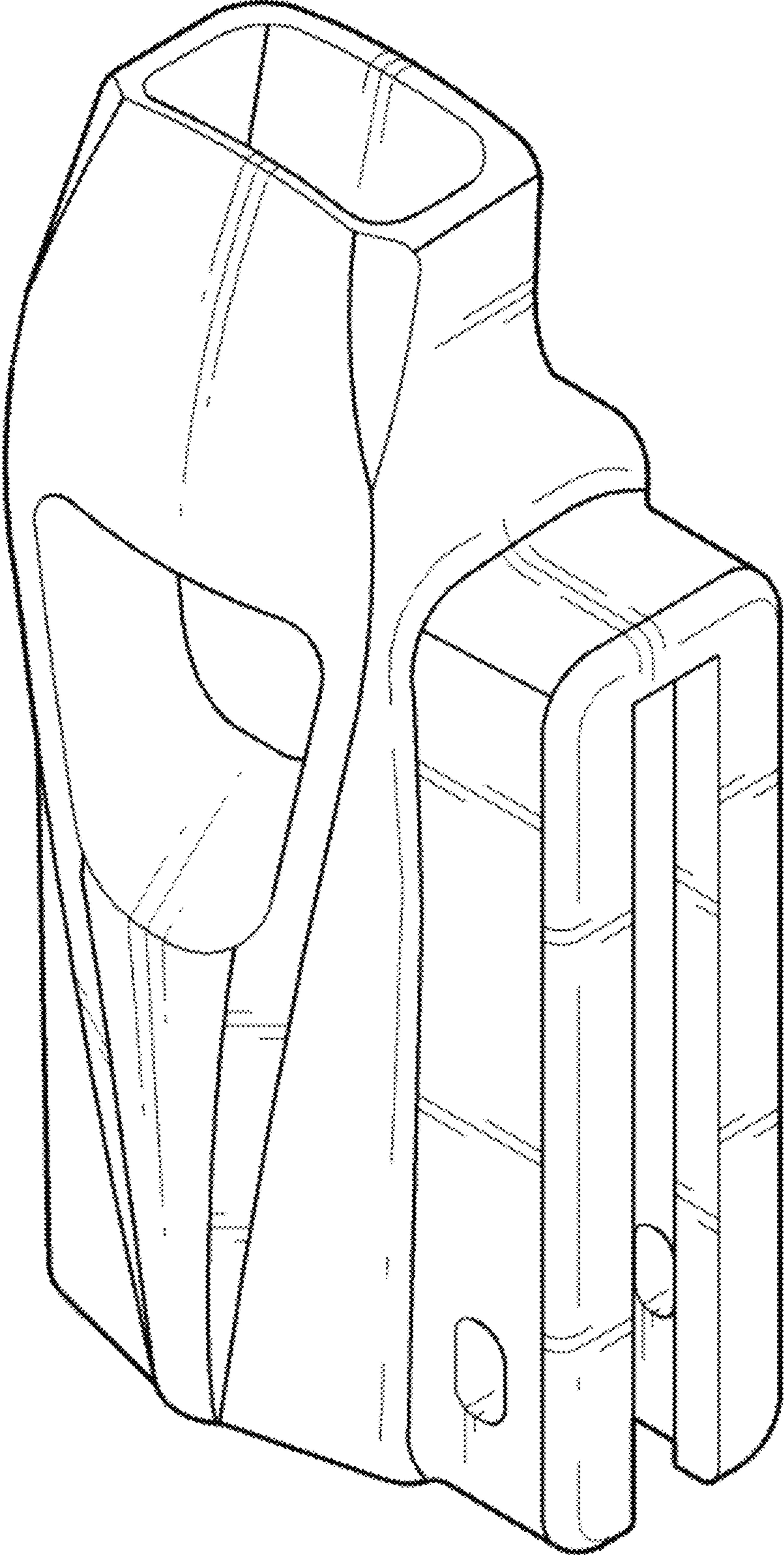


Fig. 2

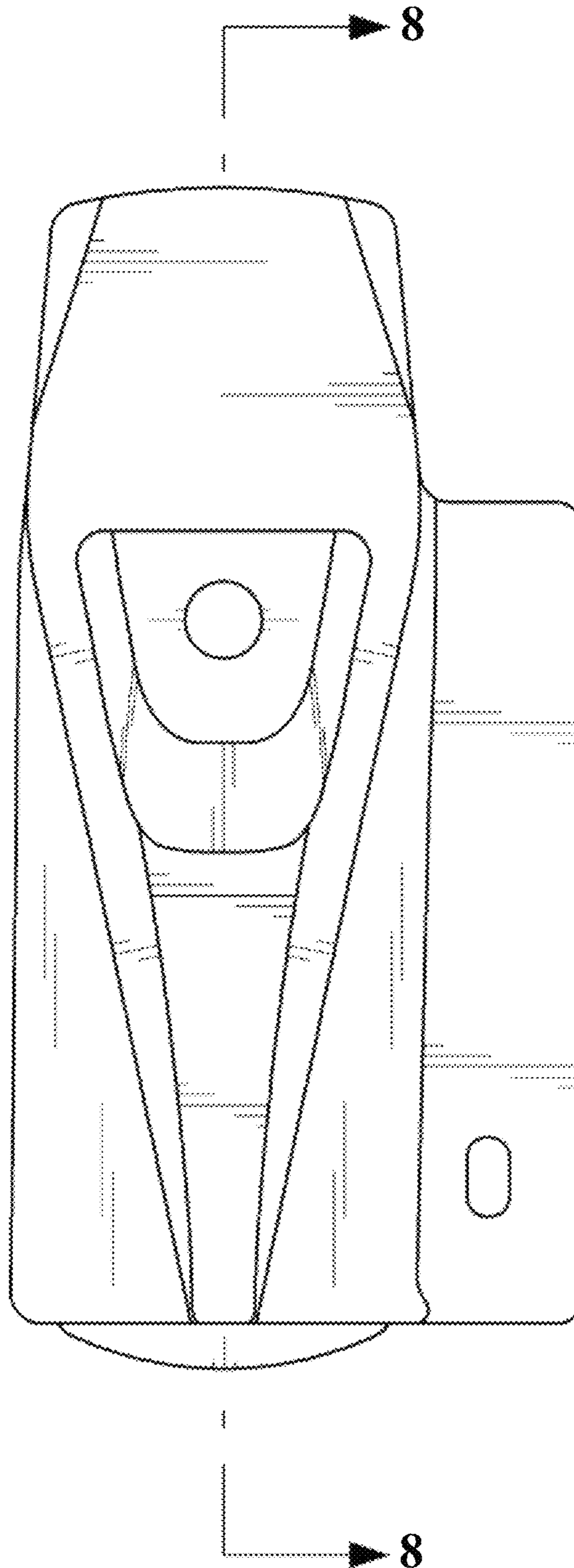


Fig. 3

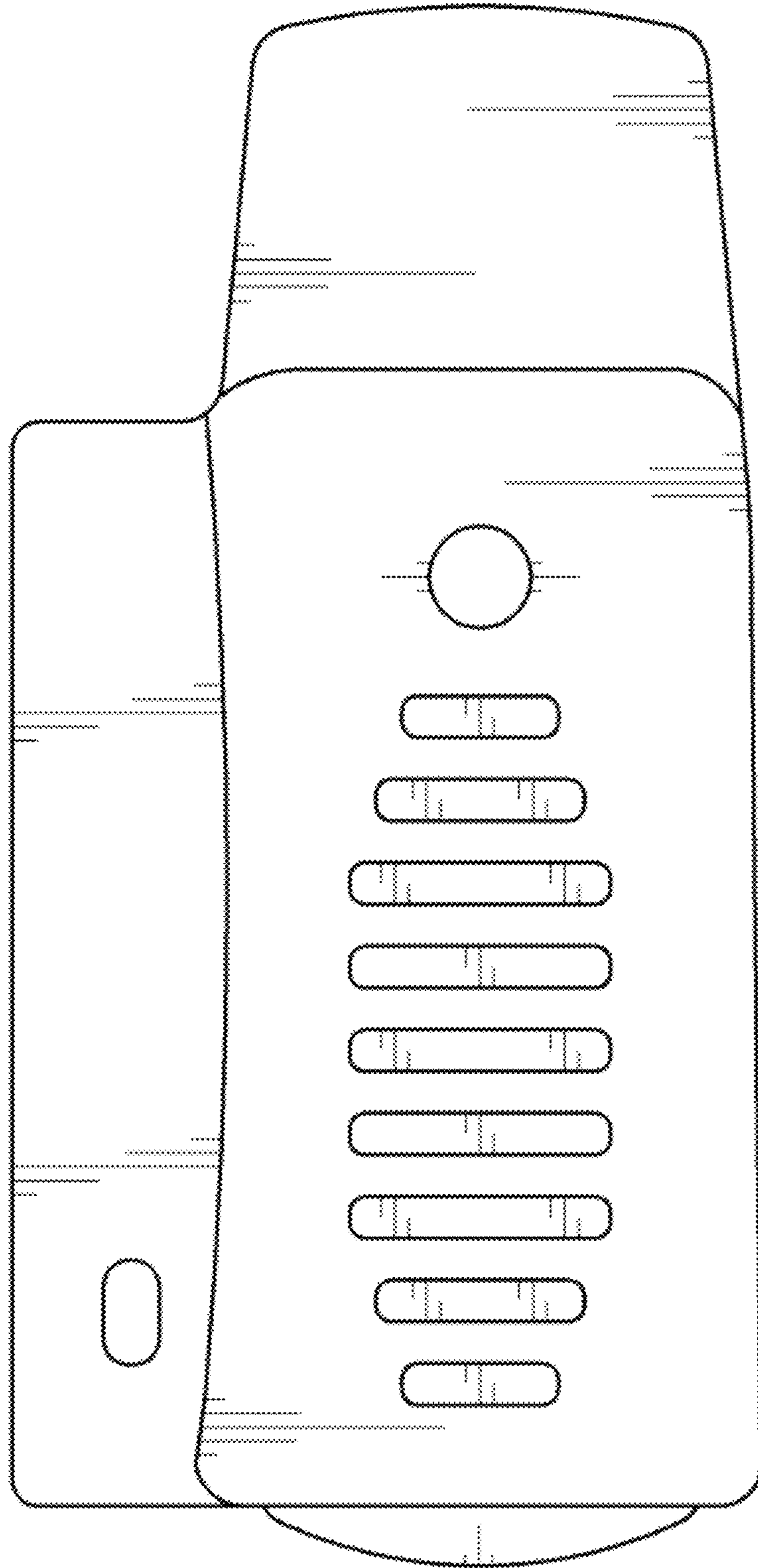


Fig. 4

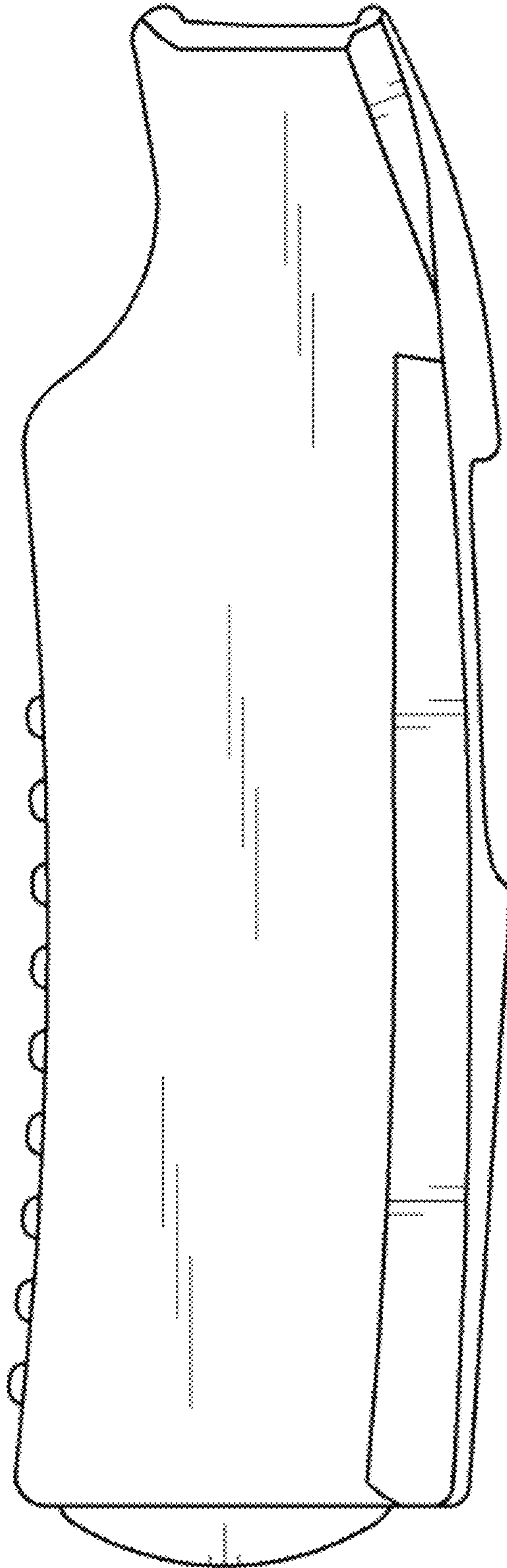


Fig. 5

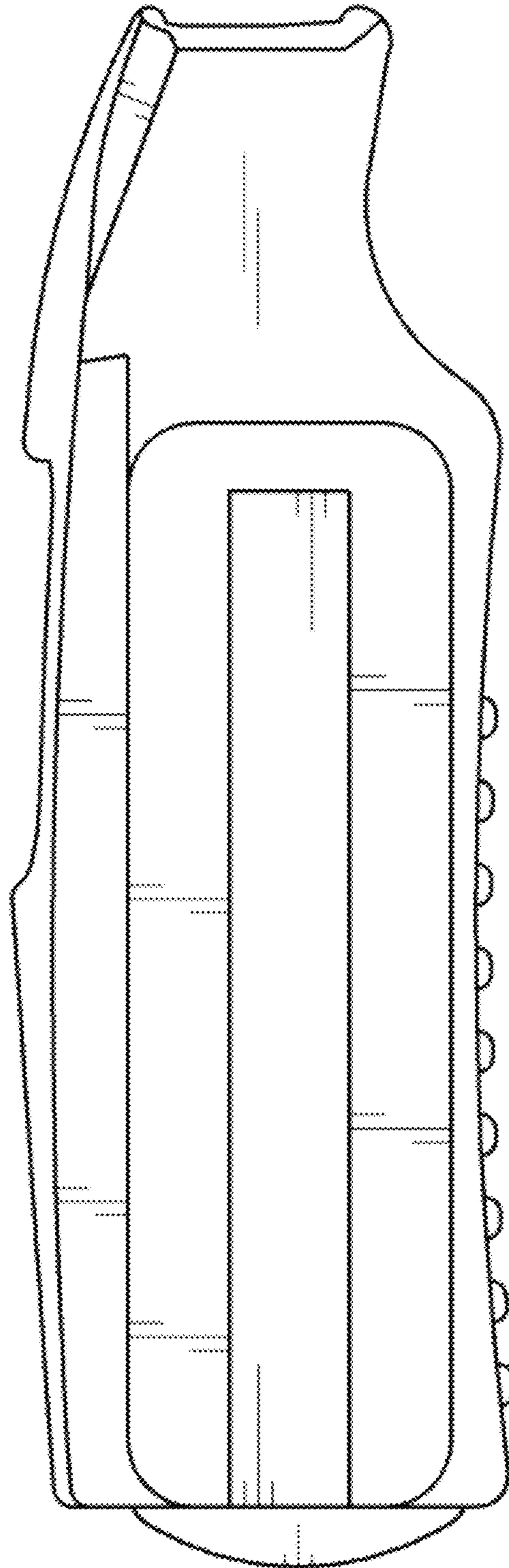


Fig. 6

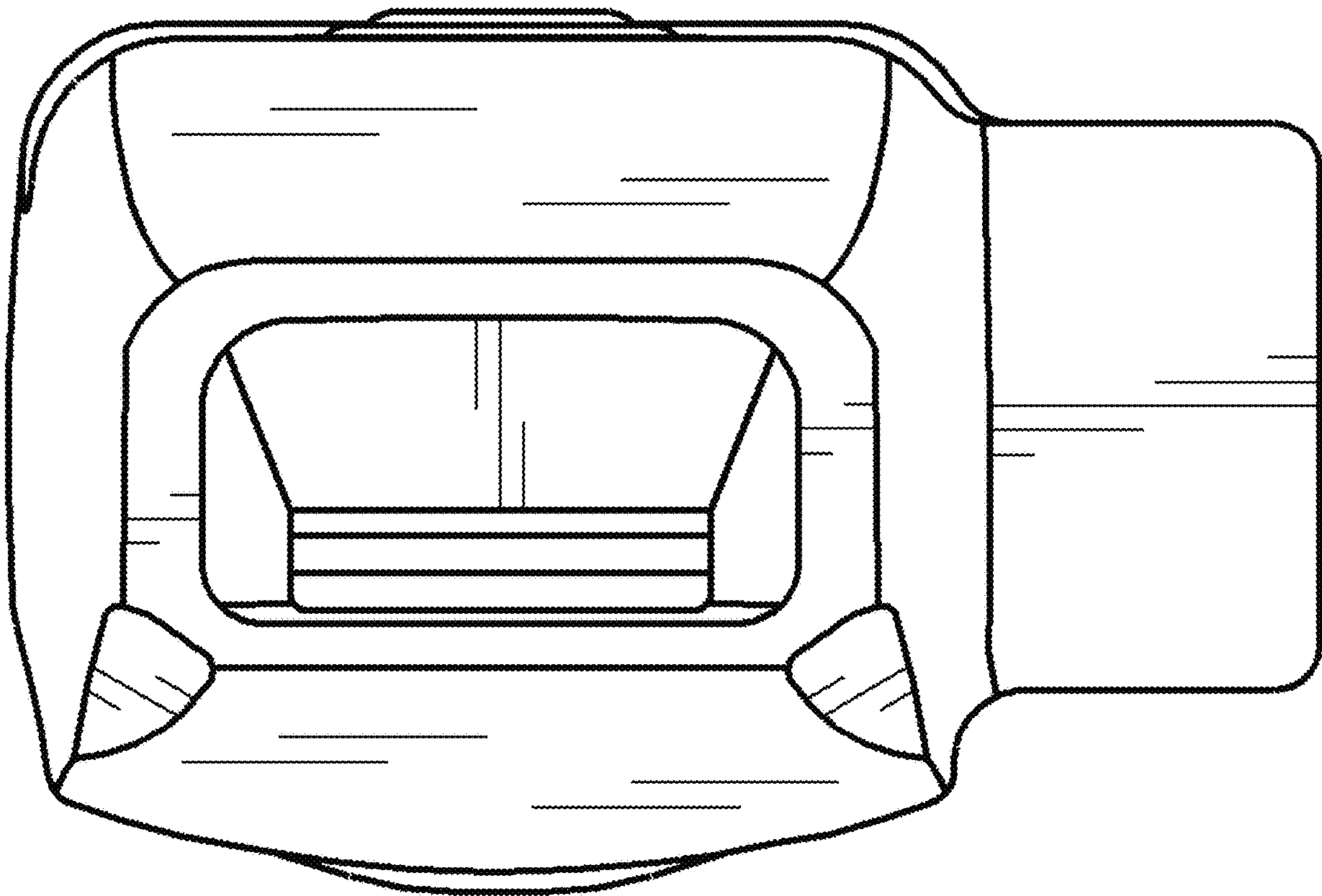


Fig. 7

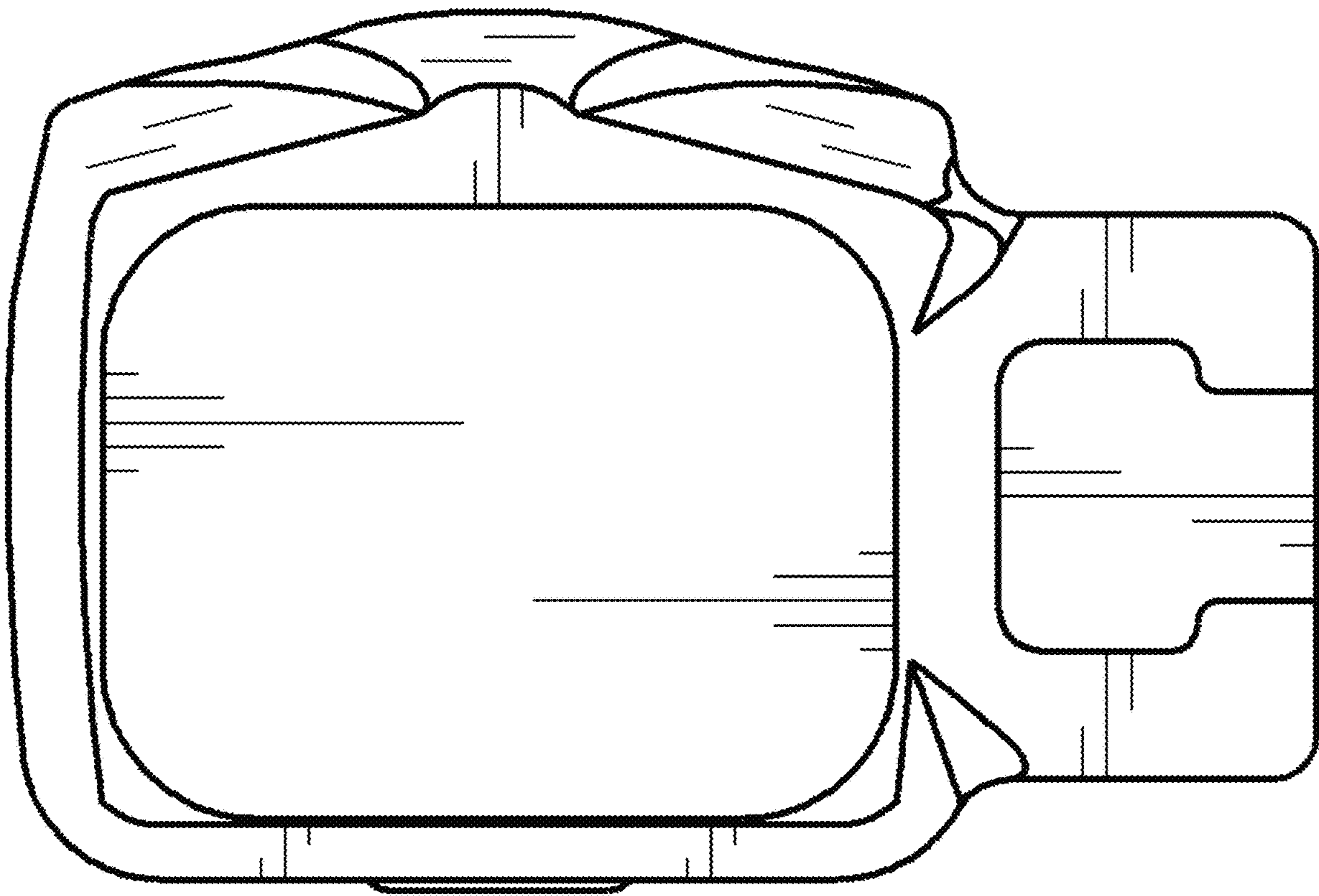


Fig. 8

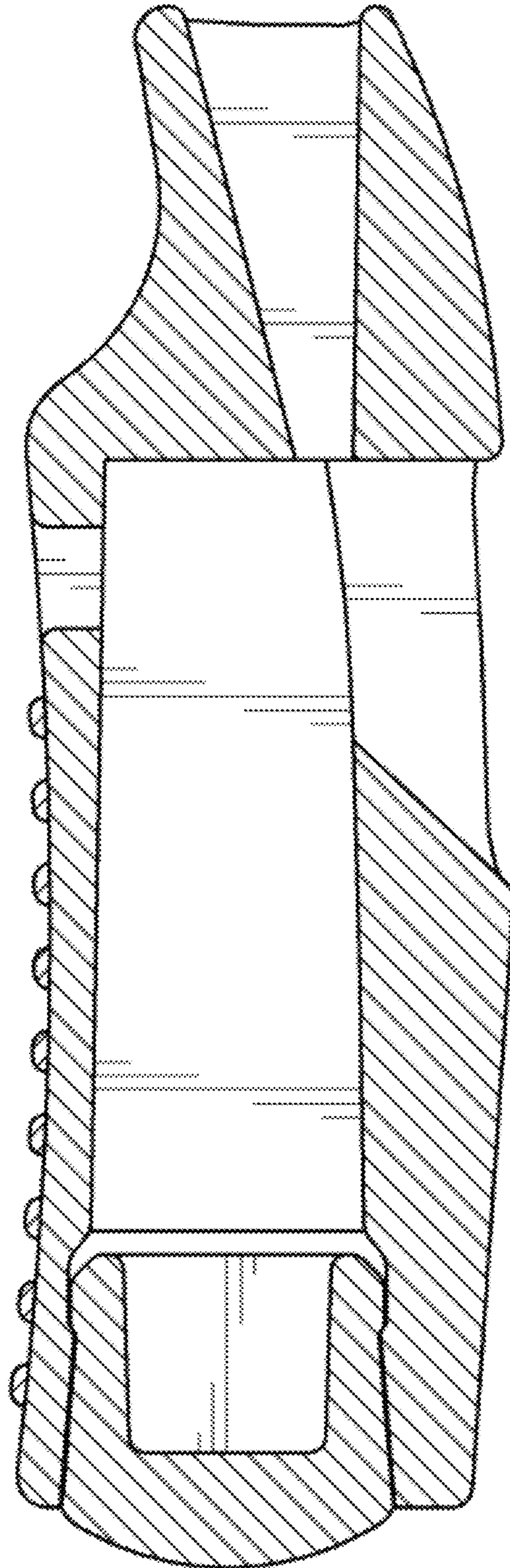


Fig. 9

