



US00D890618S

(12) **United States Design Patent**
Berglund et al.

(10) **Patent No.:** **US D890,618 S**

(45) **Date of Patent:** **** Jul. 21, 2020**

(54) **CABLE WRAP**

(71) Applicants: **InVue Security Products Inc.**,
Charlotte, NC (US); **Hangzhou**
Century Co., Ltd., Hangzhou OT (CN)

(72) Inventors: **David N. Berglund**, Indian Trail, NC
(US); **Ronaldo Carreon**, Charlotte, NC
(US); **Junfei Wu**, Hangzhou (CN);
Xiaofeng Rao, Hangzhou (CN)

(73) Assignee: **InVue Security Products Inc.**,
Charlotte, NC (US)

(**) Term: **15 Years**

(21) Appl. No.: **29/638,405**

(22) Filed: **Feb. 27, 2018**

(51) **LOC (12) Cl.** **10-05**

(52) **U.S. Cl.**
USPC **D10/106.93**

(58) **Field of Classification Search**

USPC D10/104.1, 106.9, 106.91, 106.93, 109.1;
70/57.1; D14/140, 142, 240, 217, 218,
D14/155, 356, 357, 358, 359, 383, 385,
D14/432, 435, 435.1, 447, 553, 480.1,
D14/480.3, 480.5, 480.7, 483, 484.1;
D3/208; D13/168; D8/347; D7/435,
D7/436, 439, 440, 443, 447, 454;
D9/503, 504, 529, 549-558, 575;
215/40-55, 235-245, 316-364, 370-385;
220/560.09, 566, 568, 569, 574-575,
220/592.13-592.19, 4.01-4.34, 703-719
CPC H04W 4/80; H04W 4/029; H04W 12/08;
H04W 4/025; H04W 12/0023; H04W
12/02; H04W 12/04; H04W 12/06; H04W
4/046; H04W 4/40; H04W 52/0229;
H04W 88/02; H04W 12/00407; H04W
12/12; H04W 40/244; H04W 48/12;
H04W 48/16; H04W 4/00; H04W 4/023;
H04W 4/026; H04W 4/027; H04W 4/04;
H04W 4/06; H04W 4/18; H04W 4/21;
H04W 4/24; H04W 4/30; H04W 4/33;

H04W 4/35; H04W 4/44; H04W 4/70;
H04W 64/00; H04W 64/006; H04W
76/10; H04W 76/15; H04W 76/34; H04W
84/042; H04W 84/047; H04W 84/12;
H04W 84/18; H04W 88/06; H04W 8/26;
H04W 92/20; H03D 9/02; B65D 1/00;
B65D 1/02; B65D 1/0223; B65D 1/023;
B65D 1/0276

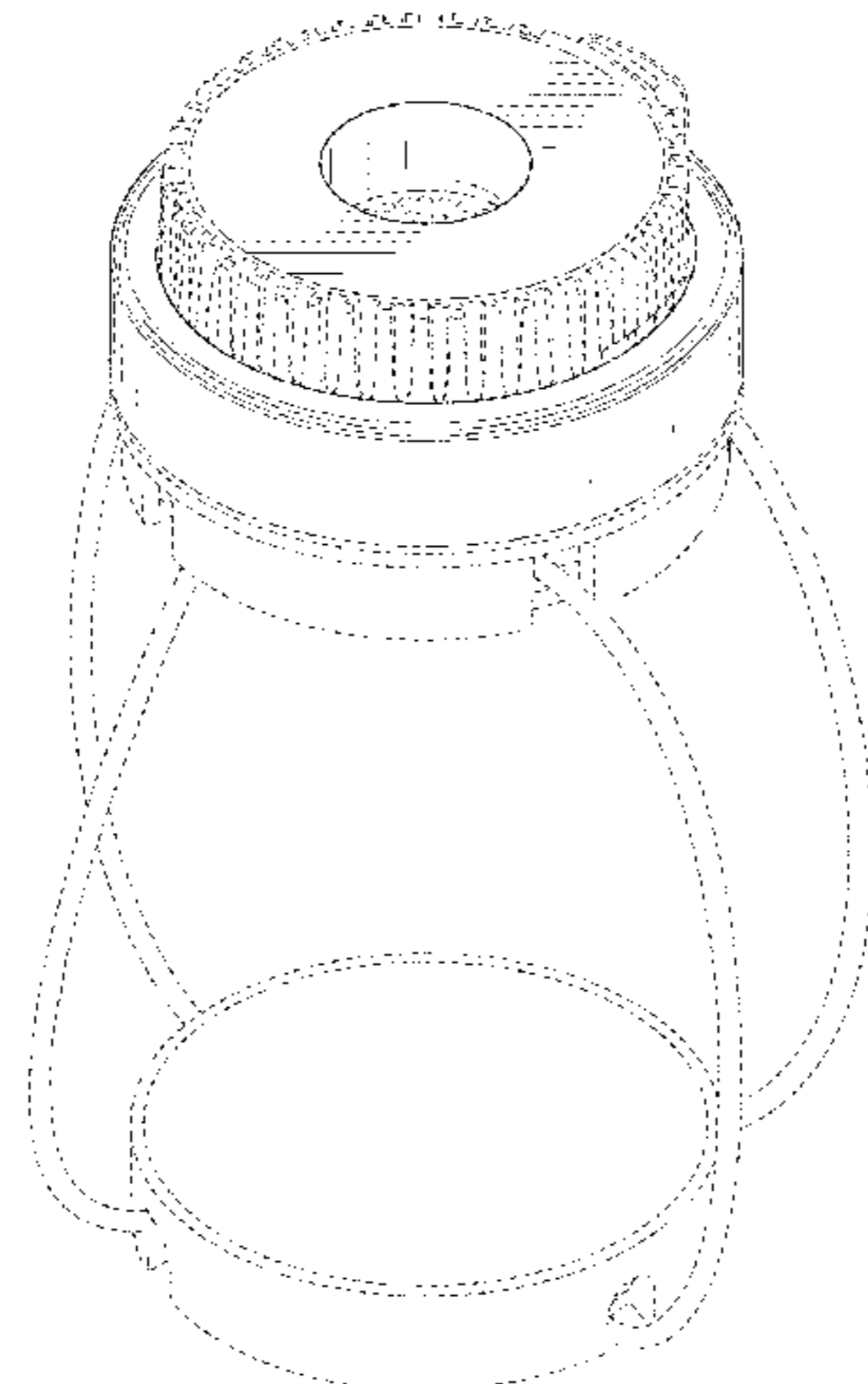
See application file for complete search history.

(56)

References Cited

U.S. PATENT DOCUMENTS

1,141,245	A *	6/1915	Gillespie	B65D 63/14 24/18
1,165,320	A *	12/1915	Clary	B65D 63/14 24/18
D195,372	S *	6/1963	Worsley	D9/439
5,722,266	A	3/1998	Yeager et al.	
5,794,464	A	8/1998	Yeager et al.	
D419,071	S *	1/2000	Peters	D9/449
6,092,401	A	7/2000	Sankey et al.	
D479,296	S *	9/2003	McCall	D21/717
D479,995	S *	9/2003	Duceppe	D9/434
D484,097	S *	12/2003	Drane	D13/139.4
6,755,055	B2	6/2004	Sedon et al.	
D493,739	S	8/2004	Copen	
D502,418	S	3/2005	Copen	
D502,419	S	3/2005	Copen	
6,933,847	B2	8/2005	Feibelman	
7,062,823	B2	6/2006	Copen et al.	
7,129,841	B2	10/2006	Feibelman	
7,162,899	B2	1/2007	Fawcett et al.	
7,168,275	B2	1/2007	Fawcett et al.	
D545,228	S	6/2007	Fawcett et al.	
7,227,467	B2	6/2007	Feibelman	
7,249,401	B2	7/2007	Copen et al.	
7,251,966	B2	8/2007	Fawcett et al.	
D555,023	S	11/2007	Fawcett et al.	
D555,024	S	11/2007	Fawcett et al.	
D556,072	S	11/2007	Fawcett et al.	
D560,533	S *	1/2008	Ducker	D10/109.1
7,350,381	B2	4/2008	Fawcett et al.	
D571,199	S *	6/2008	Petrosino	D9/435
7,403,118	B2	7/2008	Belden, Jr.	
7,453,370	B2	11/2008	Marsilio et al.	
7,474,209	B2	1/2009	Marsilio et al.	
7,481,086	B2	1/2009	Fawcett et al.	
7,497,100	B2	3/2009	Fawcett et al.	
7,497,101	B2 *	3/2009	Fawcett	E05B 45/005 242/382



US D890,618 S

Page 2

7,518,521 B2	4/2009	Feibelman et al.	2010/0315237 A1	12/2010	Yang
7,543,466 B2 *	6/2009	Loughlin E05B 67/003	2011/0094274 A1	4/2011	Conti et al.
		70/14	2011/0254661 A1	10/2011	Fawcett et al.
7,659,817 B2	2/2010	Conti et al.	2011/0260594 A1	10/2011	Yang
7,685,850 B2	3/2010	Nilsson	2011/0308283 A1 *	12/2011	Nilsson E05B 45/005
7,737,844 B2	6/2010	Scott et al.			70/57.1
7,784,313 B2 *	8/2010	Wyers E05B 67/003	2012/0019383 A1	1/2012	Fawcett et al.
		70/14	2012/0047972 A1	3/2012	Grant et al.
D625,638 S *	10/2010	Lodi D10/106.9	2012/0050042 A1	3/2012	Shute et al.
7,808,382 B2	10/2010	Bonato	2012/0085134 A1	4/2012	Ezzo et al.
D628,923 S *	12/2010	Sayegh D10/106.93	2012/0210755 A1	8/2012	Shafer
D628,924 S *	12/2010	Sayegh D10/106.93	2012/0227446 A1	9/2012	Shute et al.
7,918,112 B2	4/2011	Fawcett et al.	2012/0227447 A1	9/2012	Conti
7,984,629 B2	7/2011	Xiaobin	2012/0267436 A1	10/2012	Yang
7,992,259 B2	8/2011	Goldstein et al.	2012/0318027 A1	12/2012	Shute et al.
8,087,269 B2	1/2012	Conti et al.	2013/0067968 A1	3/2013	Ezzo
8,122,744 B2	2/2012	Conti et al.	2013/0098122 A1	4/2013	Eckert et al.
8,144,014 B1	3/2012	Yang	2013/0255335 A1	10/2013	Jonely
8,228,192 B2	7/2012	Eckert et al.	2014/0266729 A1	9/2014	Perreau et al.
8,274,391 B2	9/2012	Yang	2014/0318192 A1	10/2014	Conti et al.
8,281,626 B2	10/2012	Conti et al.	2014/0345336 A1	11/2014	Fawcett et al.
8,305,219 B2	11/2012	Yang	2016/0307417 A1	10/2016	Van Ledingham, Jr. et al.
8,341,985 B2	1/2013	Ezzo et al.			
8,347,663 B2	1/2013	Fawcett et al.			
8,368,542 B2	2/2013	Yang			
8,368,543 B2	2/2013	Yang			
8,373,565 B2	2/2013	Yang			
8,373,566 B2	2/2013	Yang			
8,375,524 B2	2/2013	Goldstein et al.			
8,408,472 B2	4/2013	Yang			
D687,709 S *	8/2013	Taylor D9/453			
8,499,595 B2	8/2013	Zhang et al.			
8,599,022 B2	12/2013	Conti et al.			
8,640,509 B2	2/2014	Will			
8,665,095 B2	3/2014	Yang			
D702,576 S *	4/2014	McKinney D10/106.1			
D705,104 S *	5/2014	McKinney D10/106.1			
8,773,267 B2	7/2014	Conti et al.			
8,800,330 B2	8/2014	Fawcett et al.			
8,860,574 B2	10/2014	Grant et al.			
8,890,689 B2	11/2014	Ezzo et al.			
8,917,180 B2 *	12/2014	Sayegh E05B 73/0029			
		340/572.9			
8,938,997 B2	1/2015	Piccoli et al.			
9,105,168 B2	8/2015	Shute et al.			
9,133,649 B2	9/2015	Taylor et al.			
9,169,670 B2	10/2015	Shute et al.			
D743,255 S *	11/2015	Niggemyer D9/435			
9,234,371 B2	1/2016	Conti et al.			
9,293,019 B2	3/2016	Perreau et al.			
9,328,536 B2	5/2016	Shute et al.			
9,394,727 B2	7/2016	Fawcett et al.			
9,403,629 B2 *	8/2016	Accurso B65D 55/14			
9,404,291 B1 *	8/2016	White E05B 45/005			
9,447,611 B2	9/2016	Conti et al.			
D768,492 S *	10/2016	Kim D9/434			
9,487,970 B2	11/2016	Conti			
D784,138 S *	4/2017	Kim D9/454			
D786,966 S *	5/2017	Matsushita D18/56			
D790,624 S *	6/2017	Matsushita D18/56			
9,953,498 B2 *	4/2018	Van Ledingham, Jr. E05B 73/0029			
2002/0129628 A1	9/2002	Skalberg			
2006/0053845 A1 *	3/2006	Benda E05B 67/006			
		70/18			
2006/0137409 A1 *	6/2006	Fawcett E05B 45/005			
		70/57.1			
2006/0157607 A1	7/2006	Kohlndorfer et al.			
2007/0131005 A1	6/2007	Clare			
2007/0152819 A1	7/2007	Marszalek et al.			
2008/0226421 A1	9/2008	Rudduck et al.			
2009/0058643 A1	3/2009	Groth			
2009/0223260 A1 *	9/2009	Conti E05B 45/005			
		70/57.1			
2009/0322531 A1	12/2009	Estevez et al.			
2010/0139336 A1 *	6/2010	Necchi E05B 73/0005			
		70/57.1			
2010/0231388 A1	9/2010	Shute et al.			

FOREIGN PATENT DOCUMENTS

EP 1027514 B1 4/2002

OTHER PUBLICATIONS

“inVue Package Wrap” available May 25, 2019, [online], [site visited May 25, 2019]. Retrieved from Internet, URL: <https://invue.com/wp-content/uploads/2018/08/pkg-wrap-ss-081418-v2.pdf> (Year: 2019).*

“Invue Package Wrap Defeat Test” (via YouTube), available Aug. 7, 2018, [online], [site visited Aug. 7, 2019]. Video retrieved from internet, URL: <https://www.youtube.com/watch?v=nCTvAizKDFQ> (Year: 2018).*

“4-IR-Package-Wrap” available May 25, 2019, [online], [site visited May 25, 2019]. Retrieved from Internet, URL: <https://adtechindia.com/wp-content/uploads/2018/05/4-IR-Package-Wrap.pdf> (Year: 2019).*

“Retail anti-theft device” available May 25, 2019, [online], [site visited May 25, 2019]. Retrieved from Internet, URL: <https://www.ebay.com/itm/11-Alpha-1-Alarm-Mini-Spider-Wrap-retail-anti-theft-device-Security-Tag-USED-/163342801772> (Year: 2019).*

“Easiest way to open Spider Wraps and security tags” available May 26, 2019, [online], [site visited May 26, 2019]. Retrieved from Internet, URL: <https://www.youtube.com/watch?v=XDOvrFL-s0sf> (Year: 2019).*

“3Alarm Anti-theft Lock Tag” available May 26, 2019, [online], [site visited May 26, 2019]. Retrieved from Internet, URL: https://www.alibaba.com/product-detail/3-alarm-anti-theft-lock-tag_60340890459.html (Year: 2019).*

“Alarm tag S03” available Nov. 1, 2016, [online], [site visited Aug. 22, 2019]. Retrieved from Internet, URL: <https://web.archive.org/web/20161101060913/http://www.channel-tag.com/eproduct.php?nrid=18> (Year: 2016).*

* cited by examiner

Primary Examiner — Michael C Stout

Assistant Examiner — Katrina N Gonzalez

(74) *Attorney, Agent, or Firm* — InVue Security Products Inc.

(57) CLAIM

We claim the ornamental design for a cable wrap, as shown and described.

DESCRIPTION

FIG. 1 is a perspective view of a cable wrap showing our design;

FIG. 2 is a rear side thereof;
FIG. 3 is a front view thereof;
FIG. 4 is a left side view thereof;
FIG. 5 is a right side view thereof;
FIG. 6 is a top view thereof; and,
FIG. 7 is a bottom view thereof.

The dash-dash broken lines illustrate portions of the cable wrap. The dash-dot broken lines represent the bounds of the claim. The broken lines form no part of the claimed design.

1 Claim, 7 Drawing Sheets

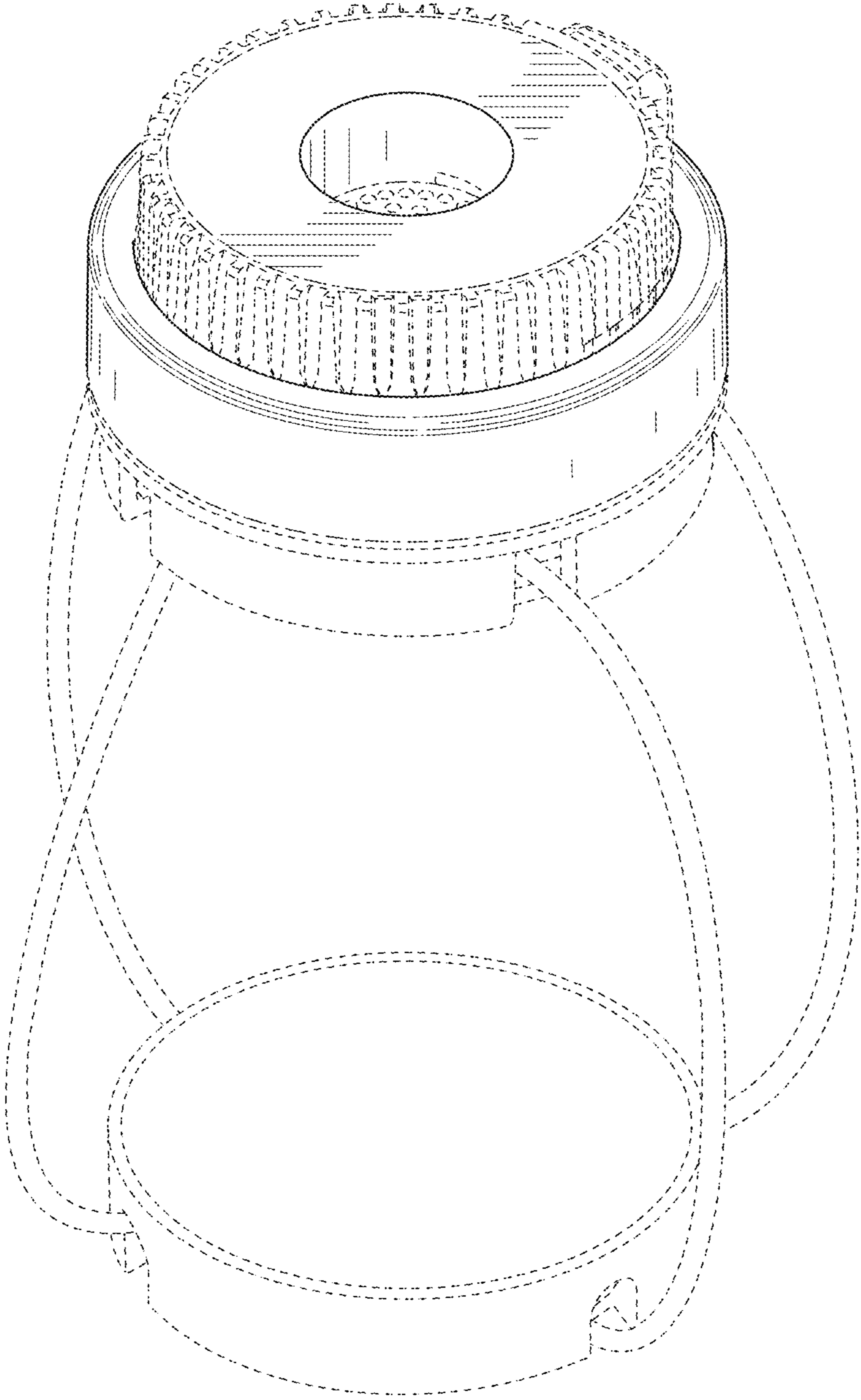


FIG. 1

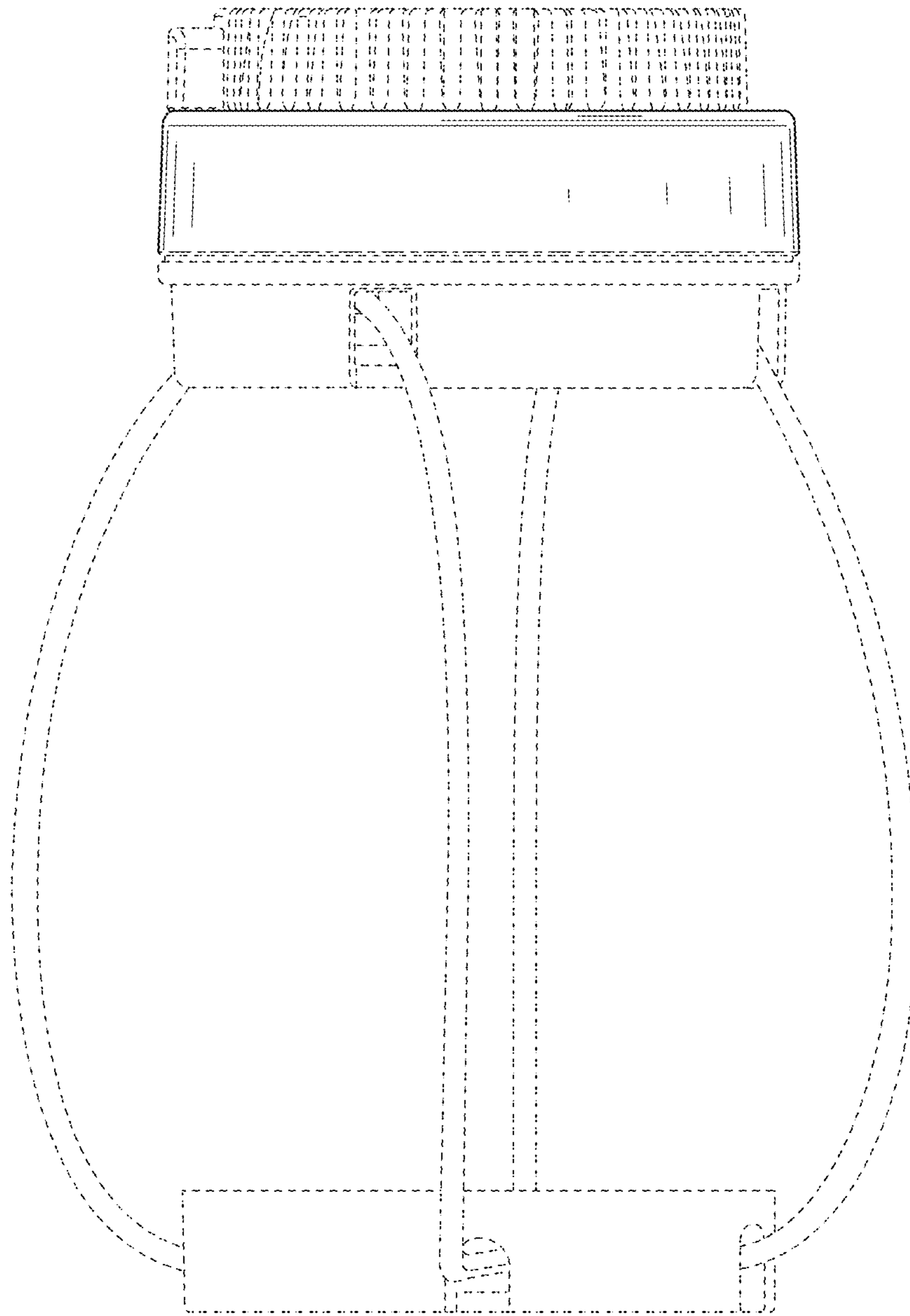


FIG. 2

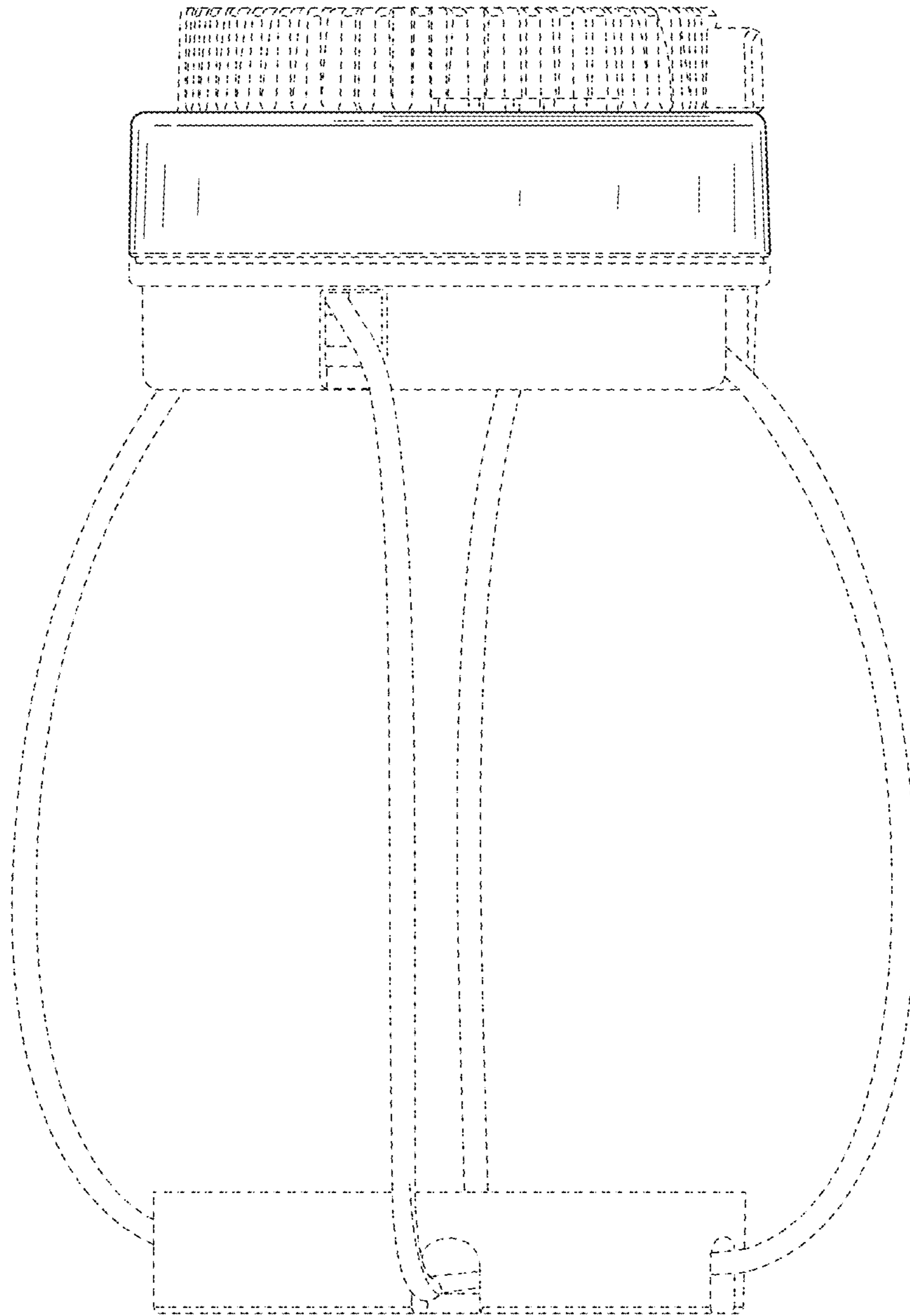


FIG. 3

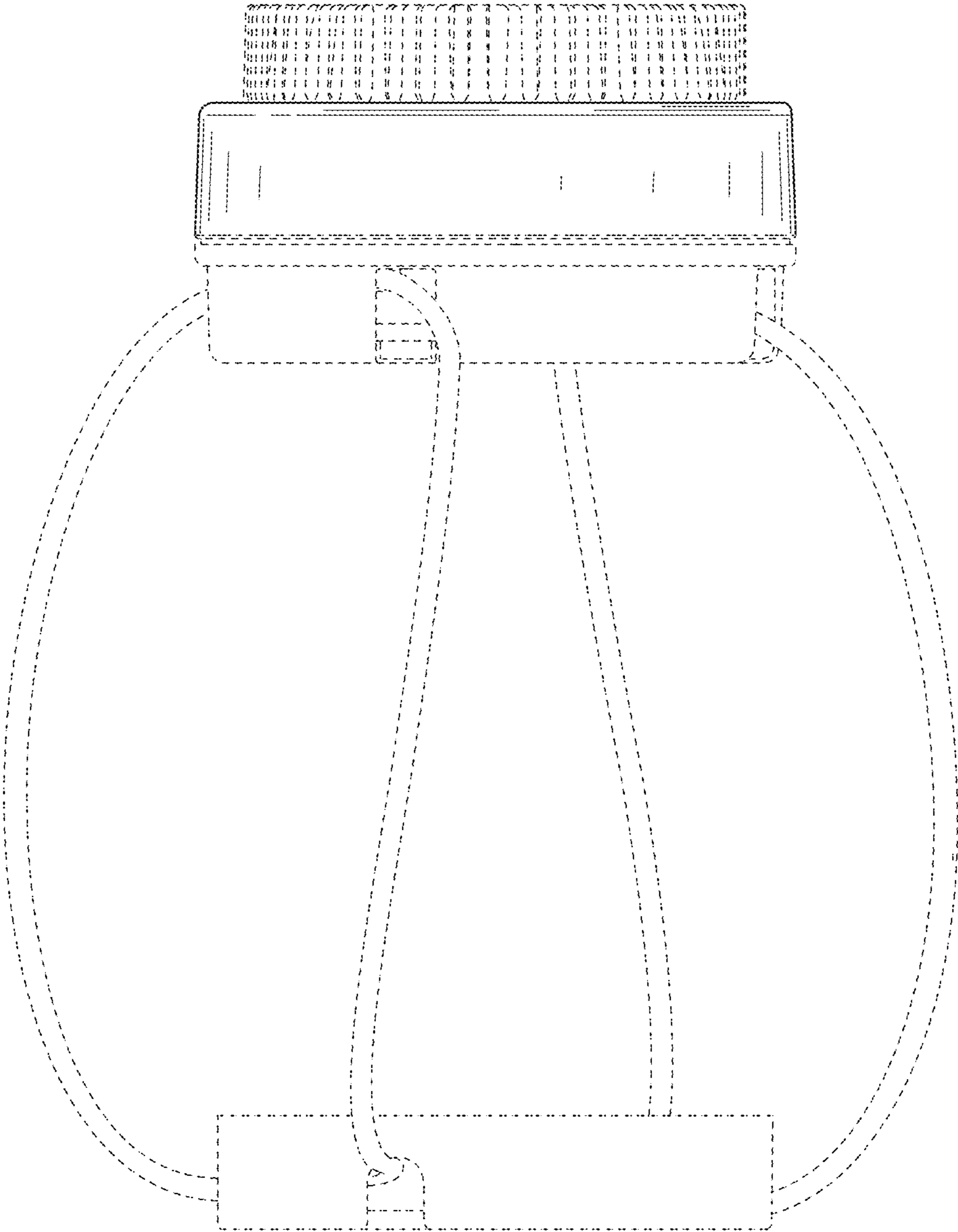


FIG. 4

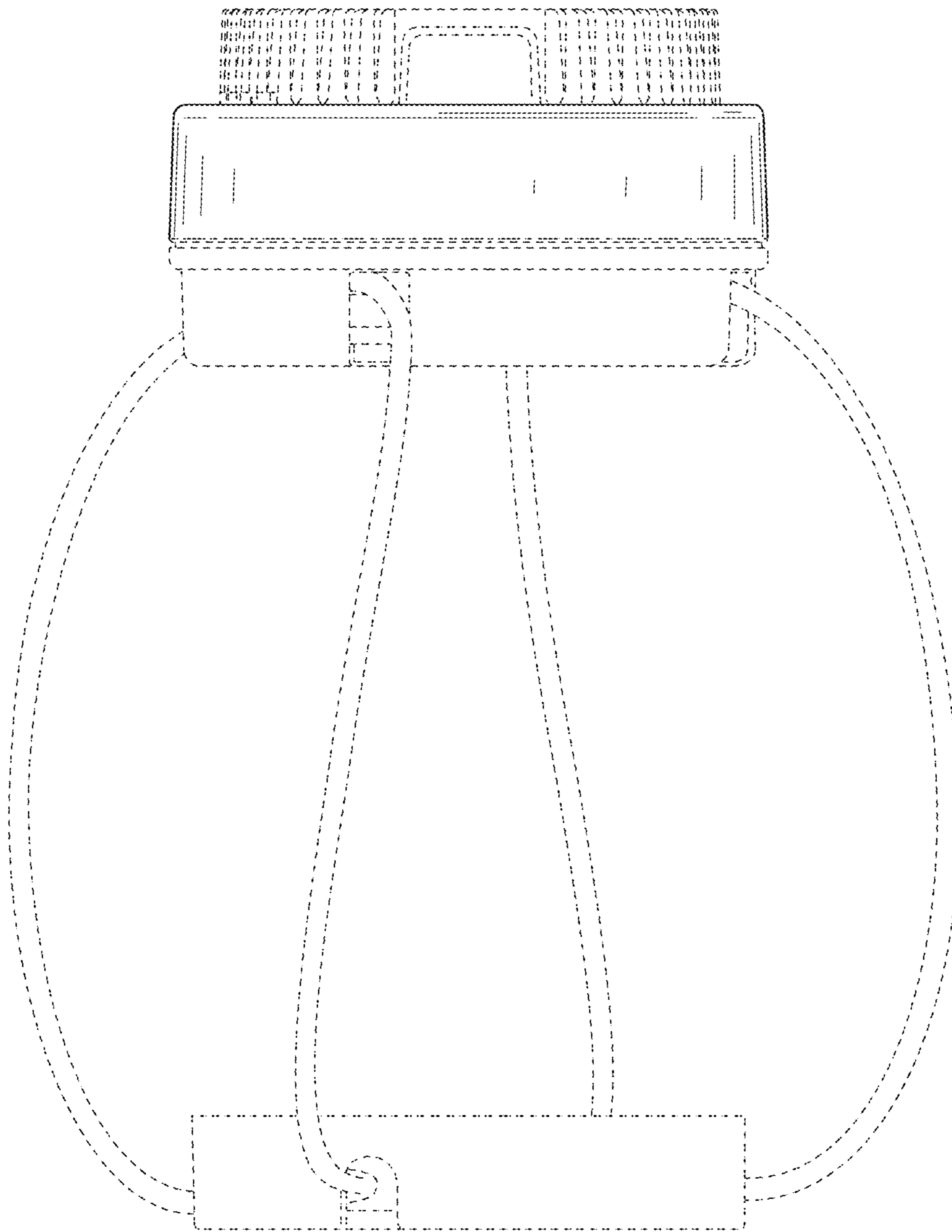


FIG. 5

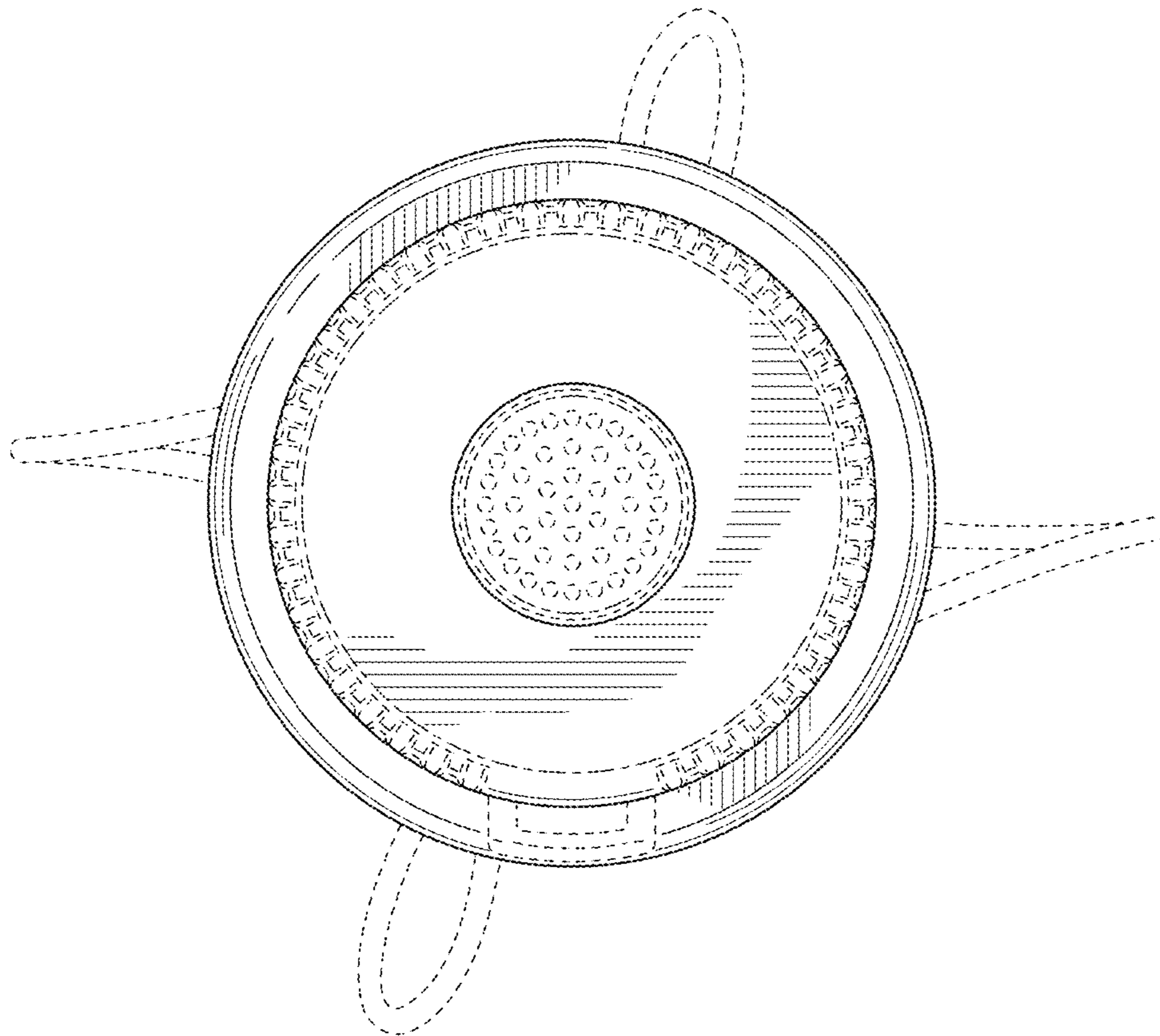


FIG. 6

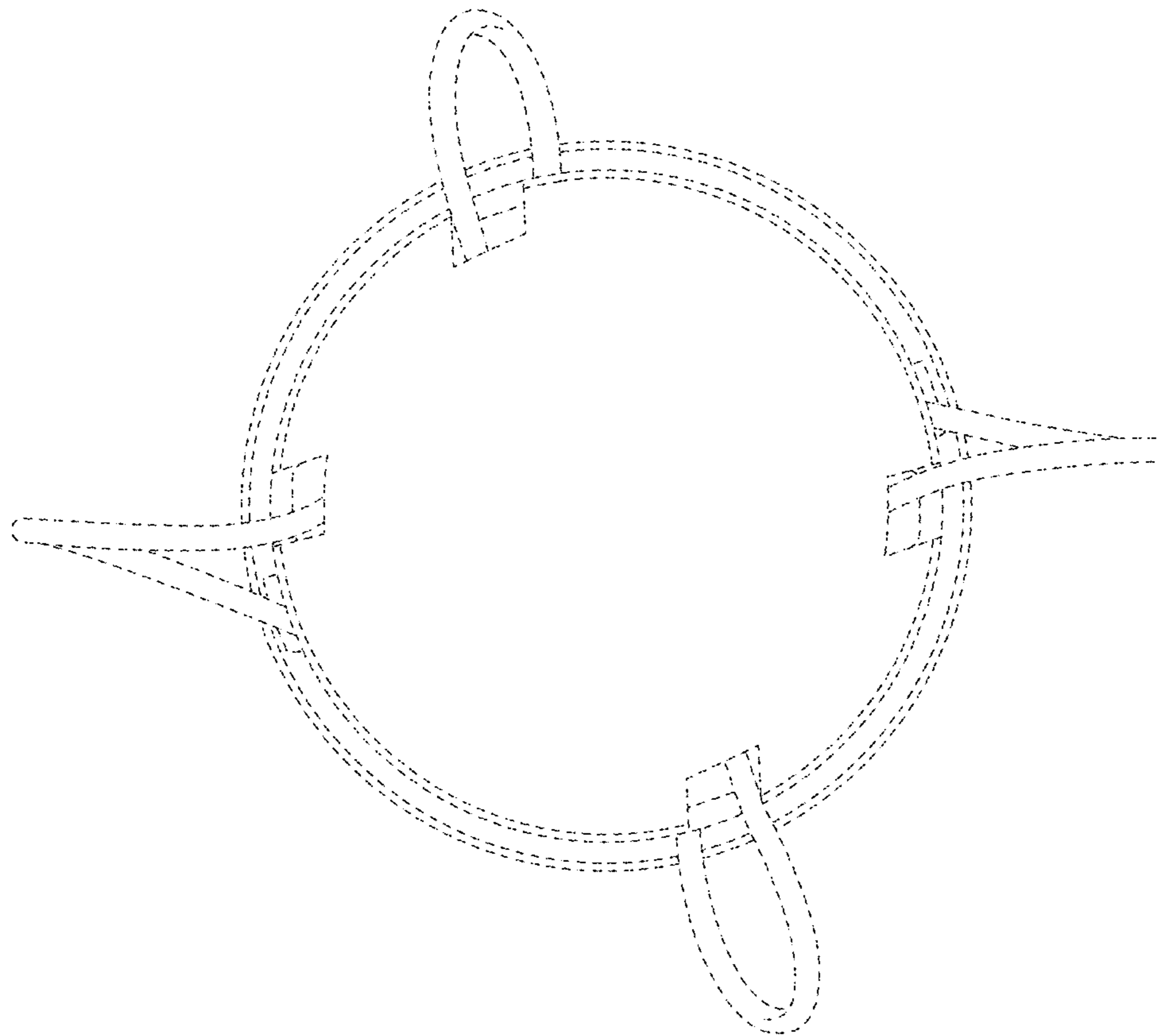


FIG. 7