



US00D890617S

(12) **United States Design Patent**
Mimouni

(10) **Patent No.:** **US D890,617 S**
(45) **Date of Patent:** **** Jul. 21, 2020**

(54) **OHMMETER**

(71) Applicants: **CHAUVIN ARNOUX**, Paris (FR);
SHANGHAI IPUJIANG ENERDIS
INSTRUMENTS, Shanghai (CN)

(72) Inventor: **Antoine Mimouni**, Shanghai (CN)

(73) Assignees: **Chauvin Arnoux**, Paris (FR); **Shanghai**
Ipujiang Enerdis Instruments,
Shanghai (CN)

(**) Term: **15 Years**

(21) Appl. No.: **29/683,293**

(22) Filed: **Mar. 12, 2019**

(30) **Foreign Application Priority Data**

Jan. 22, 2019 (EM) 006080701-0001

(51) **LOC (12) Cl.** **10-04**

(52) **U.S. Cl.**
USPC **D10/78**

(58) **Field of Classification Search**
USPC D10/78
CPC G01R 27/205; G01R 31/327; G01D 11/24;
G01D 11/245; G01D 11/26; G01D 11/28
See application file for complete search history.

(56) **References Cited**

U.S. PATENT DOCUMENTS

- 5,084,670 A * 1/1992 Melenotte H05K 5/0086
324/156
- D369,306 S * 4/1996 Fisher H05K 5/0086
D10/78
- D446,463 S * 8/2001 Chang G01R 31/3278
D10/78
- D625,635 S * 10/2010 Tian D10/78

- D754,554 S * 4/2016 Richer D10/78
- 9,423,462 B1 * 8/2016 Curtis G01R 31/3278
- D780,609 S * 3/2017 Richer D10/76
- D811,910 S * 3/2018 Richer D10/76
- 10,056,203 B2 * 8/2018 Tan H05K 5/0026
- D839,756 S * 2/2019 Pang D10/52
- D861,523 S * 10/2019 Chen D10/81

* cited by examiner

Primary Examiner — Antoine Duval Davis

(74) *Attorney, Agent, or Firm* — Seyfarth Shaw LLP;
Jamaica Potts Szeliga

(57) **CLAIM**

The ornamental design for an ohmmeter, as shown and described.

DESCRIPTION

FIG. 1 is a front elevation view of the ohmmeter showing the new design.

FIG. 2 is a right side, elevation view of the ohmmeter shown in FIG. 1.

FIG. 3 is a bottom, plan view of the ohmmeter shown in FIG. 1.

FIG. 4 is a top, plan view of the ohmmeter shown in FIG. 1.

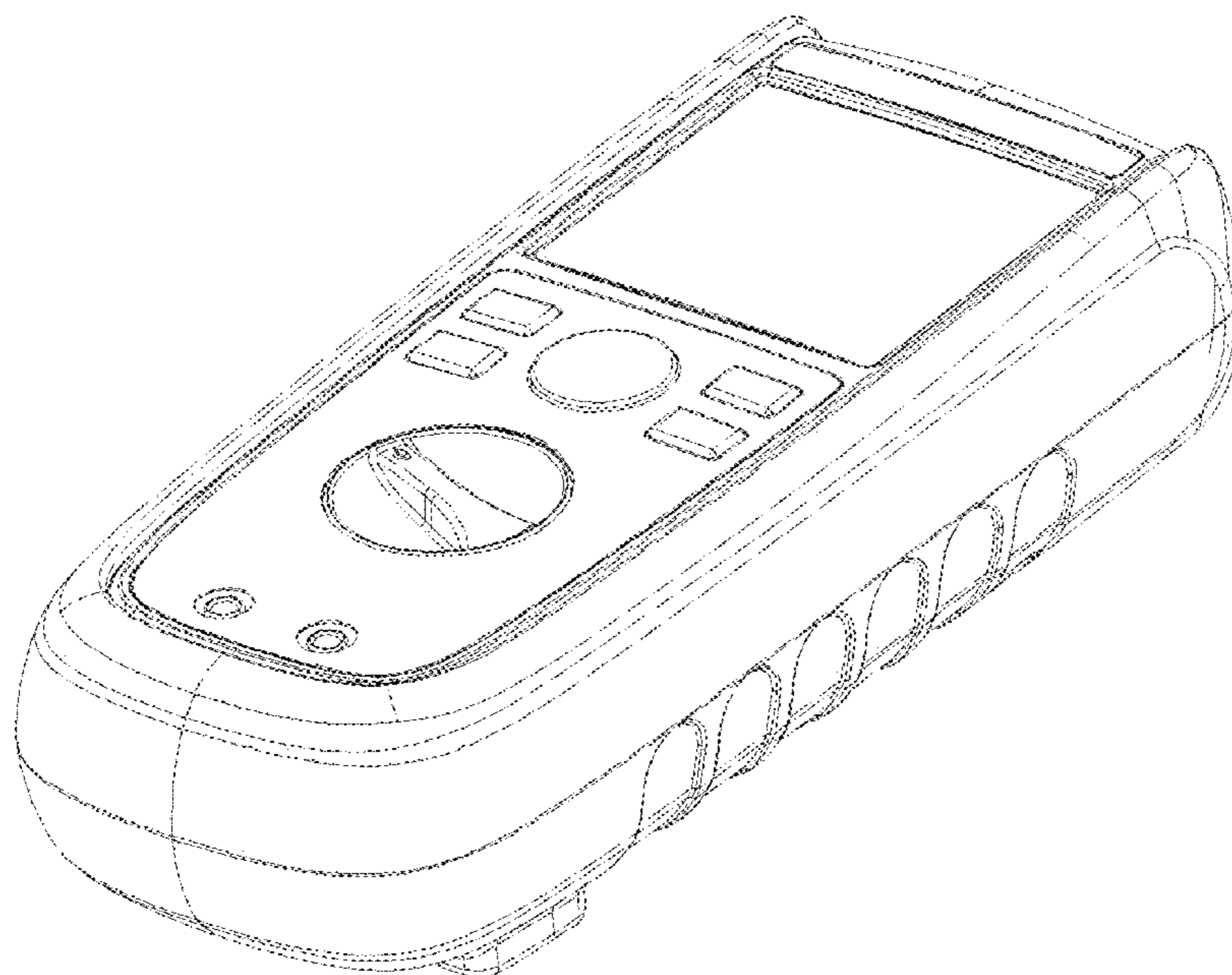
FIG. 5 is a left side, elevation view of the ohmmeter shown in FIG. 1.

FIG. 6 is a rear, elevation view of the ohmmeter shown in FIG. 1; and,

FIG. 7 is a perspective view of the ohmmeter shown in FIG. 1.

Broken lines shown in the drawings are for the purpose of illustrating environmental structure or to define boundaries and form no part of the claimed design.

1 Claim, 7 Drawing Sheets



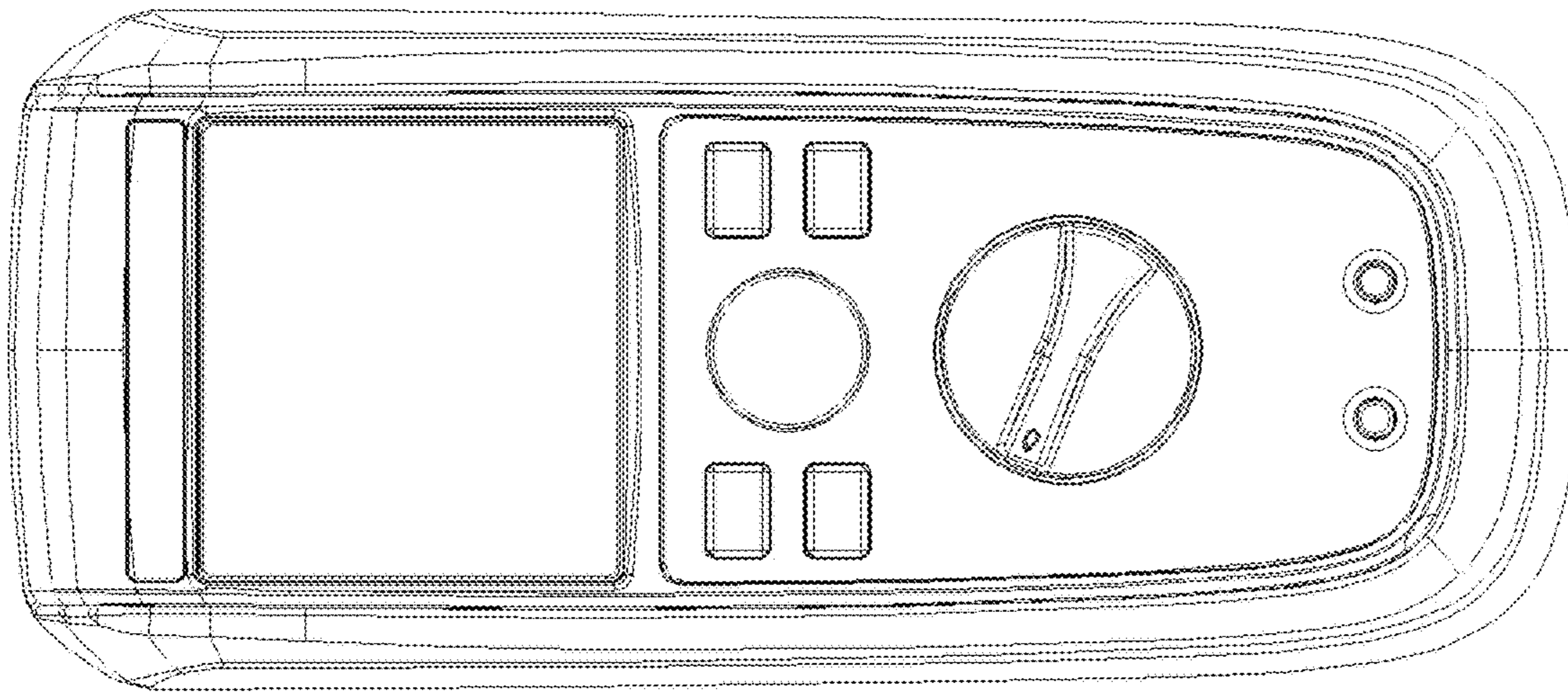


Fig. 1

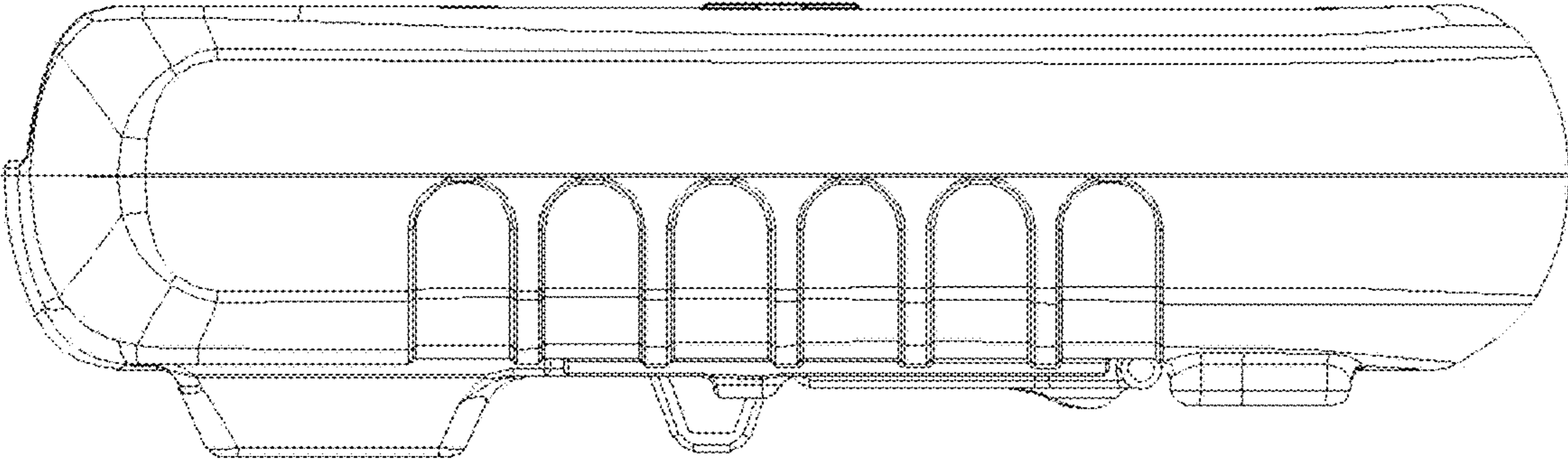


Fig. 2

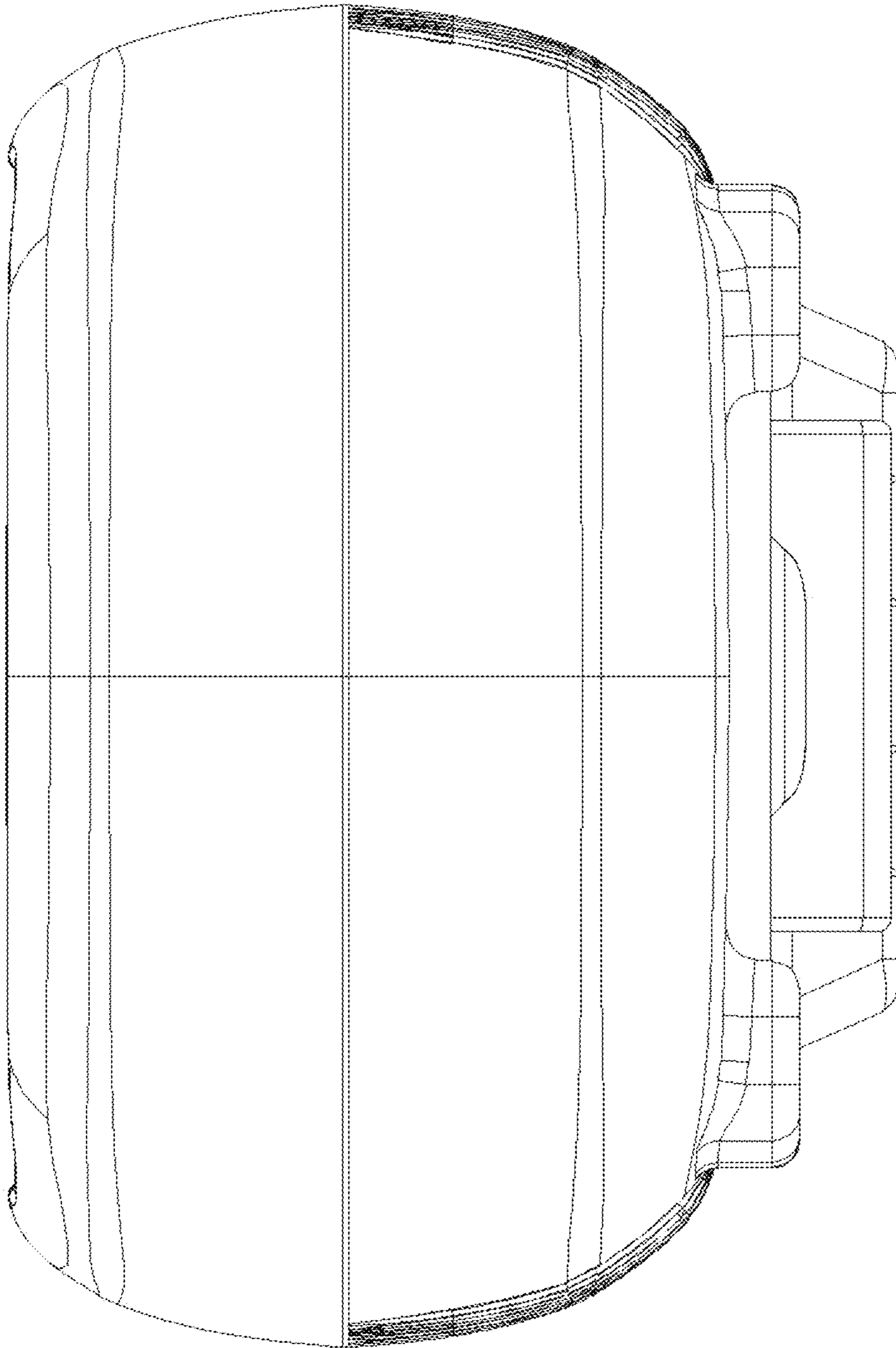


Fig. 3

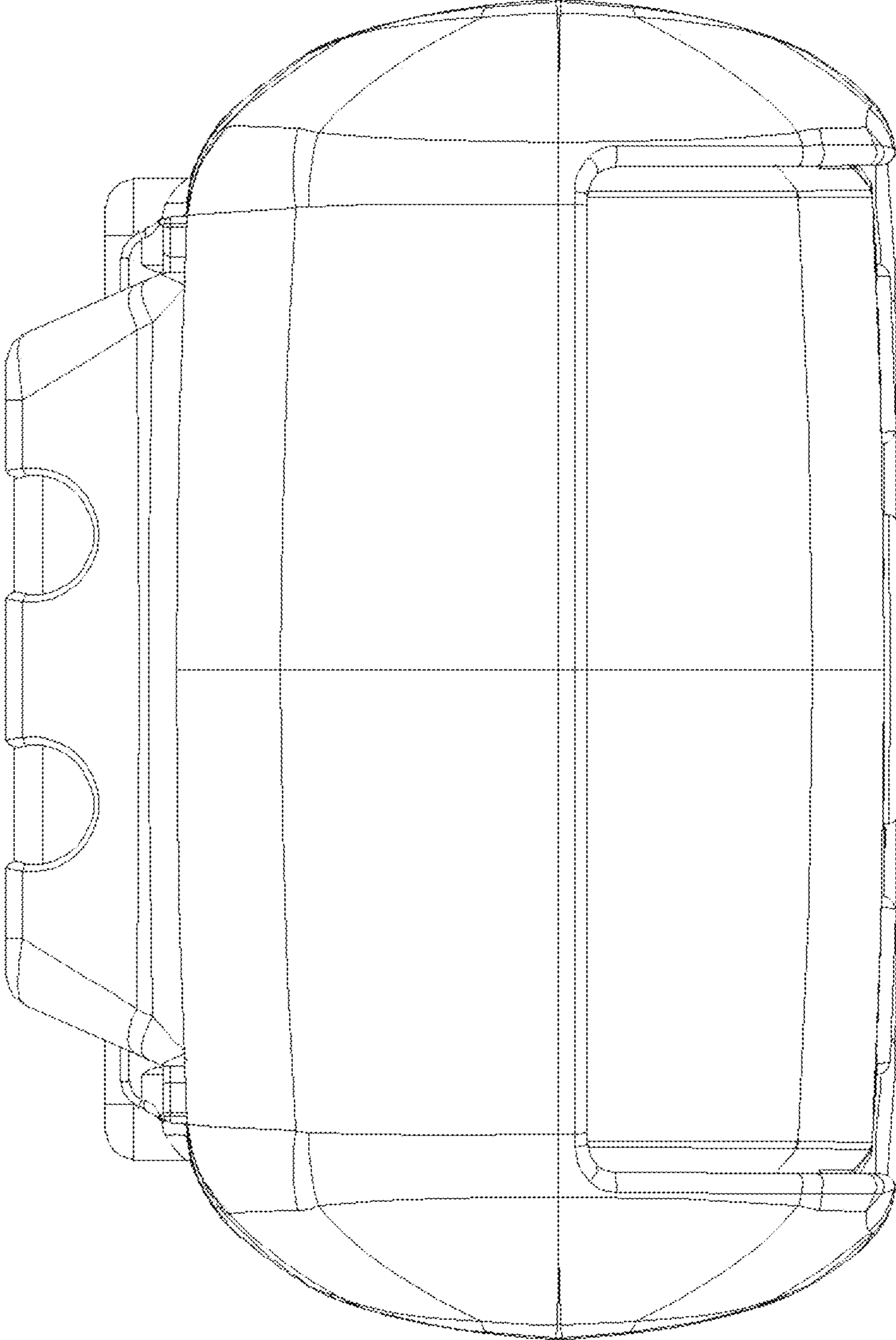


Fig. 4

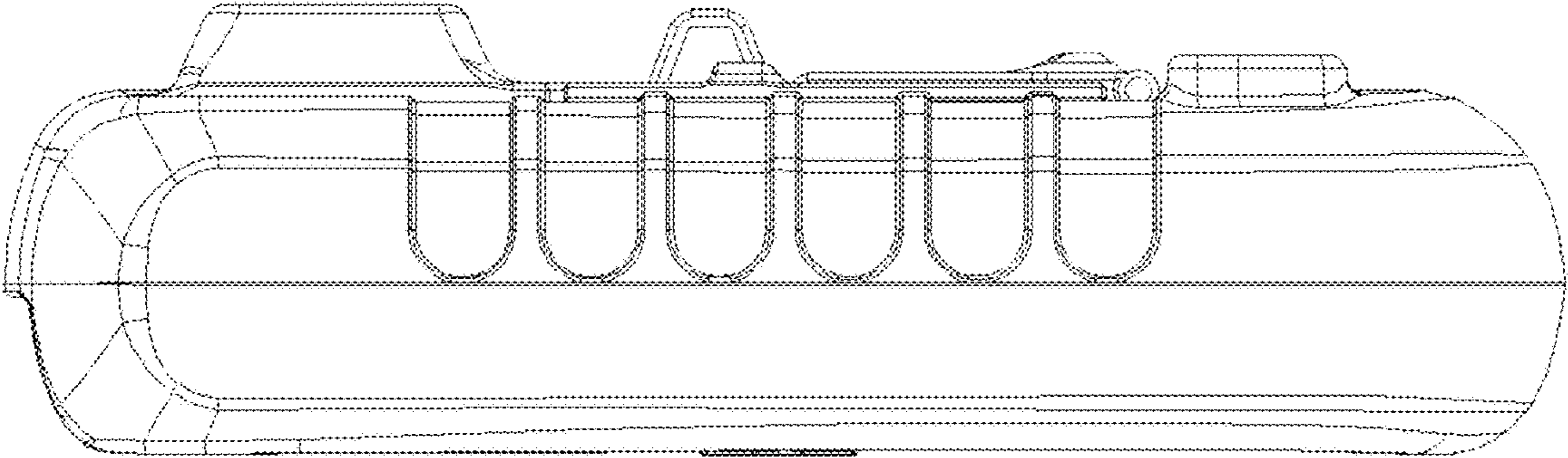


Fig. 5

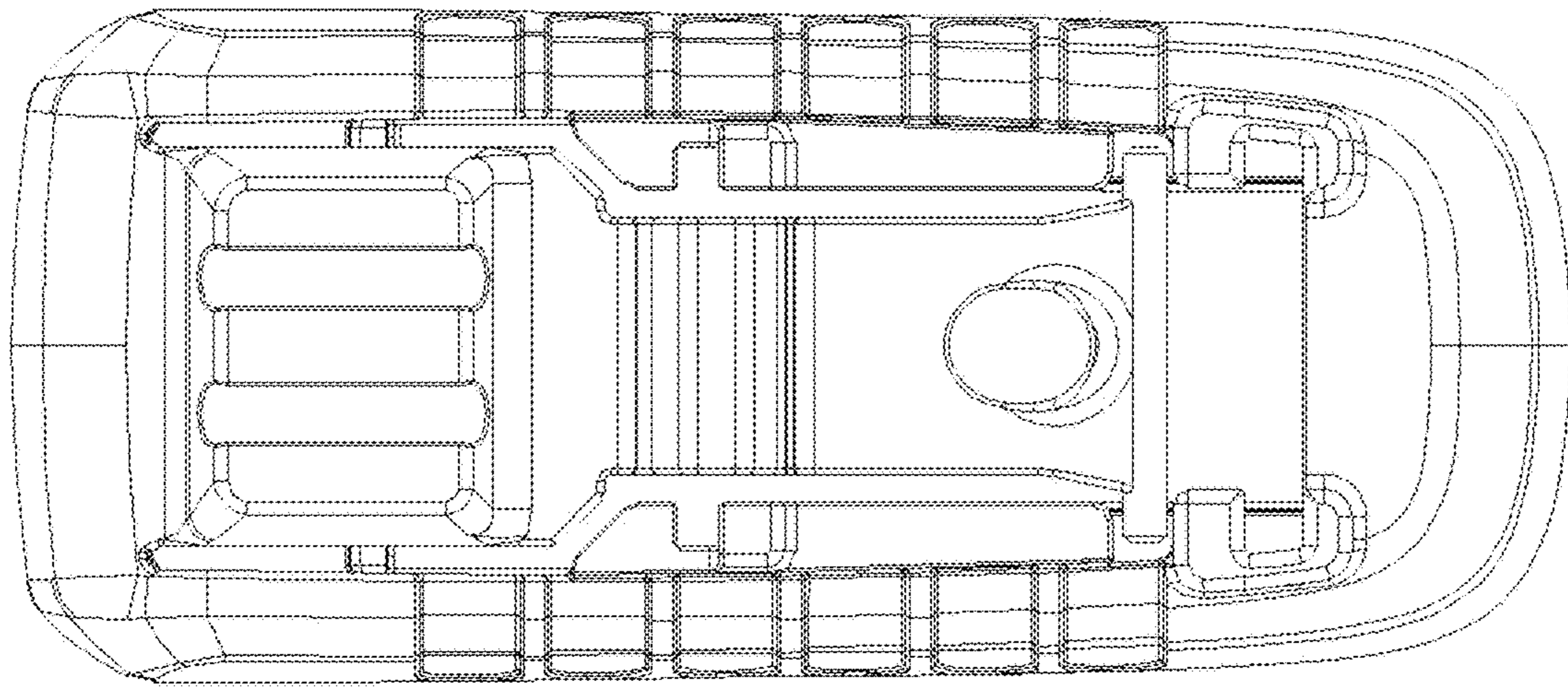


Fig. 6

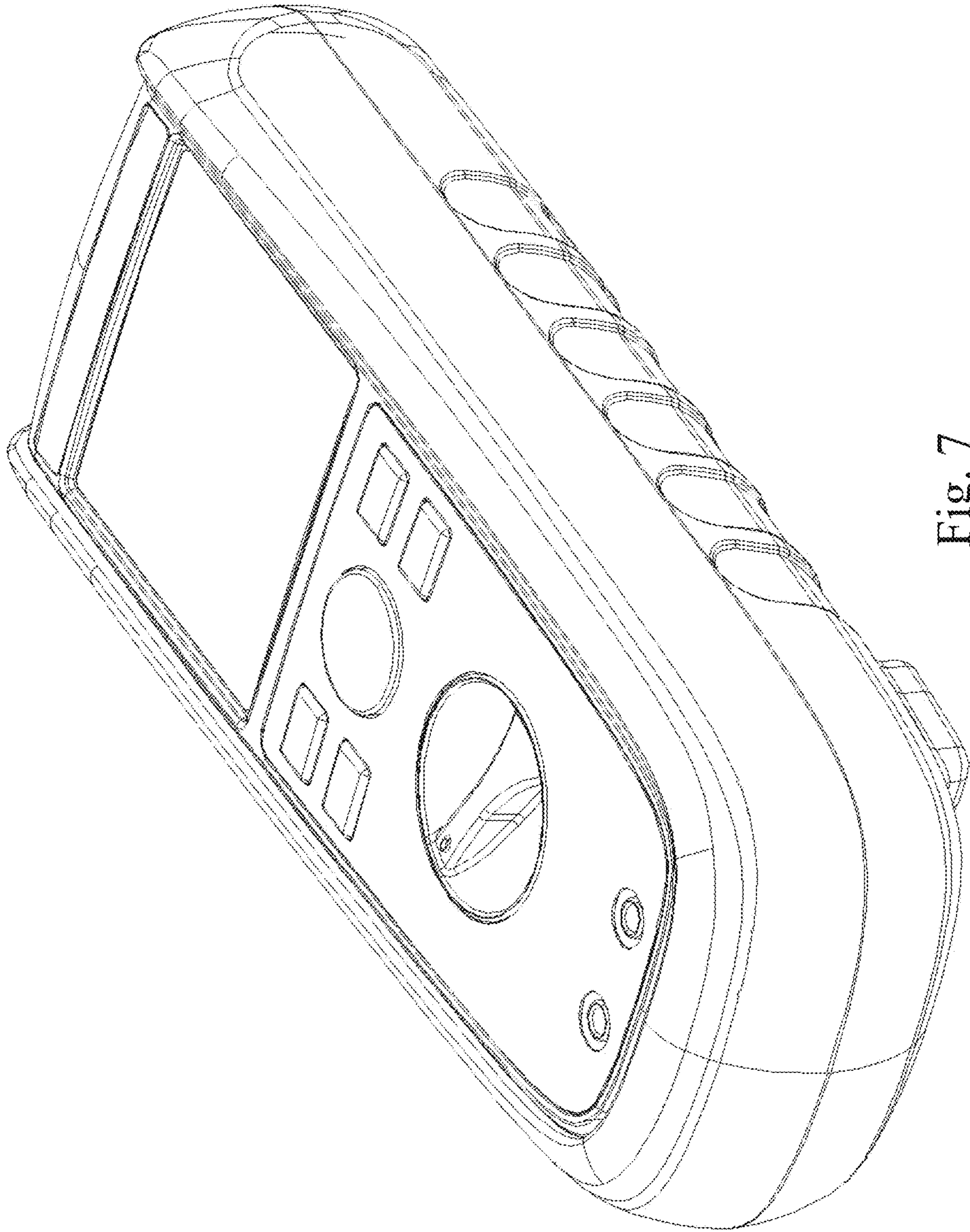


Fig. 7